



US00D864317S

(12) **United States Design Patent**
Higginbotham, III

(10) **Patent No.:** **US D864,317 S**

(45) **Date of Patent:** **** Oct. 22, 2019**

- (54) **PIVOTING EXERCISE DEVICE**
- (71) Applicant: **Hugh R. Higginbotham, III**, North Palm Beach, FL (US)
- (72) Inventor: **Hugh R. Higginbotham, III**, North Palm Beach, FL (US)
- (**) Term: **15 Years**
- (21) Appl. No.: **29/632,843**
- (22) Filed: **Jan. 10, 2018**
- (51) **LOC (12) Cl.** **21-02**
- (52) **U.S. Cl.**
USPC **D21/673**
- (58) **Field of Classification Search**
USPC 482/47, 45, 49, 48, 44, 121, 105, 122, 482/128, 112, 141, 51, 66, 70, 126, 46, 482/107, 8, 901, 139, 108, 82, 106, 594, 482/124, 131, 11, 93, 97; D21/684, 692, D21/662, 679, 693, 714, 682; 127/45; D11/133; D19/97, 82, 96; D27/156; D32/35; D22/112; 73/379.03; 84/465, 84/265; D8/303; D24/211; 74/558; 601/125, 133, 135, 137, 204, 38; 473/594
CPC A63B 21/0552; A63B 2208/0204; A63B 22/001; A63B 21/00069; A63B 23/12
See application file for complete search history.

- D338,247 S * 8/1993 Kobllick D21/692
- 5,507,712 A * 4/1996 Chang A63B 21/0004 482/126
- 5,613,928 A * 3/1997 Laudone A63B 23/03525 482/100
- 5,626,545 A * 5/1997 Newman A63B 21/0004 482/124
- D388,846 S * 1/1998 Burghoffer D21/662
- D408,063 S * 4/1999 Van Der Hoeven D21/692
- D426,275 S * 6/2000 Sealy D21/684
- D563,491 S * 3/2008 Kaplan D21/692
- D589,574 S * 3/2009 Tsai D21/692
- 7,887,461 B2 * 2/2011 Bakhtiyari A63B 23/032 482/11
- D655,355 S * 3/2012 Hsu D21/679
- D671,179 S * 11/2012 Chang D21/684
- D675,688 S * 2/2013 Francis D21/684
- 8,597,164 B2 * 12/2013 Francis A63B 21/0004 482/121
- 9,713,733 B2 * 7/2017 Dennis A63B 21/02
- D810,844 S * 2/2018 Hao D21/684

(Continued)

Primary Examiner — Ryan Harvey
(74) *Attorney, Agent, or Firm* — McHale & Slavin, P.A.

(57) **CLAIM**

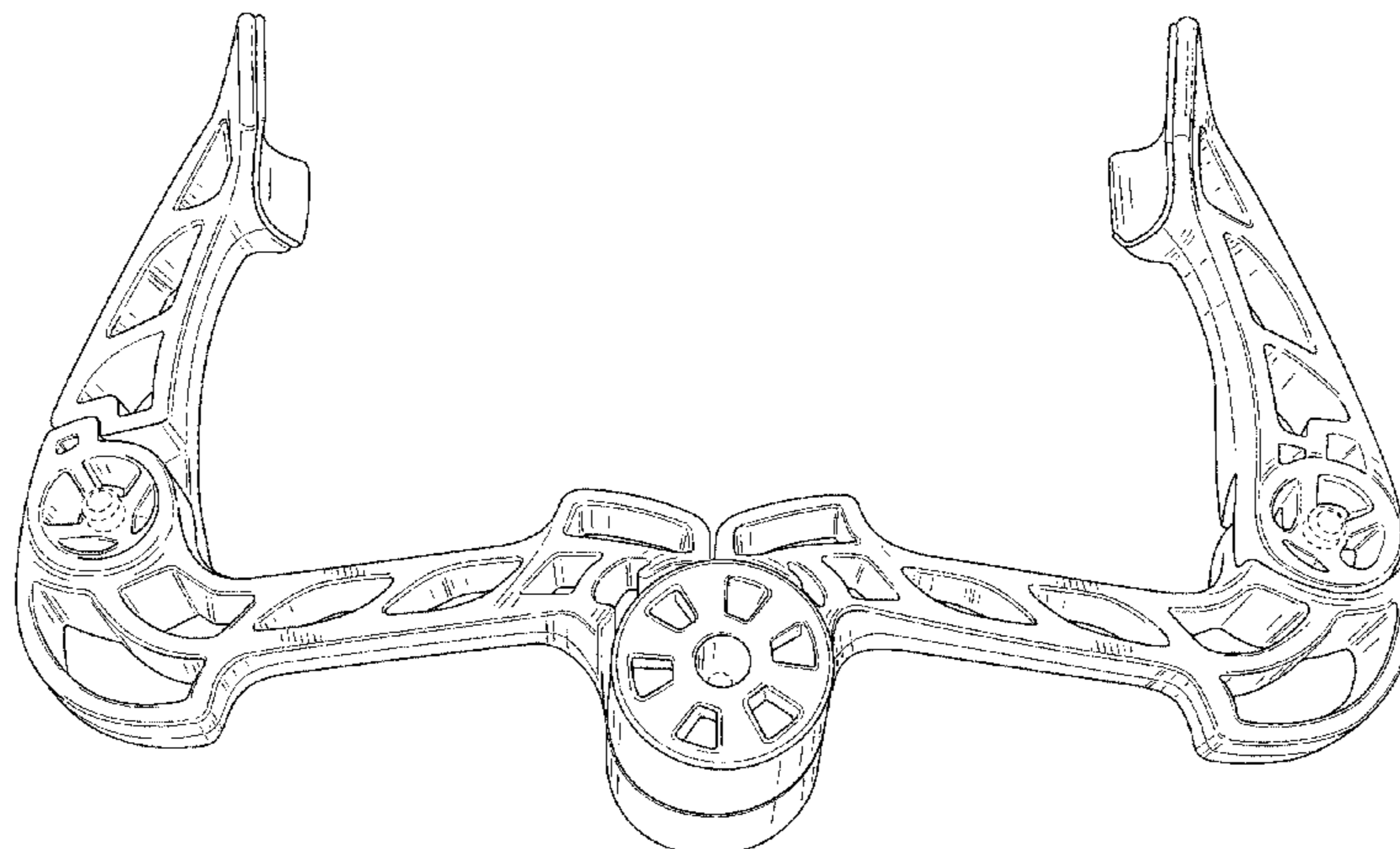
The ornamental design for a pivoting exercise device, as shown and described.

DESCRIPTION

FIG. 1 is a perspective view of the pivoting exercise device of the instant invention;
FIG. 2 is a front view thereof;
FIG. 3 is a rear view thereof;
FIG. 4 is a right side view thereof;
FIG. 5 is a left side view thereof;
FIG. 6 is a top view thereof; and,
FIG. 7 is a bottom view thereof.
The broken line showing of portions of the pivoting exercise device depicts environment and forms no part of the claim.

1 Claim, 5 Drawing Sheets

- (56) **References Cited**
U.S. PATENT DOCUMENTS
2,529,347 A * 11/1950 Ross, Jr. A63B 21/0004 482/126
4,210,323 A * 7/1980 Feather A63B 21/0004 482/122
D277,593 S * 2/1985 Terrian D21/693
4,629,186 A * 12/1986 Aldridge A63B 21/0004 482/126



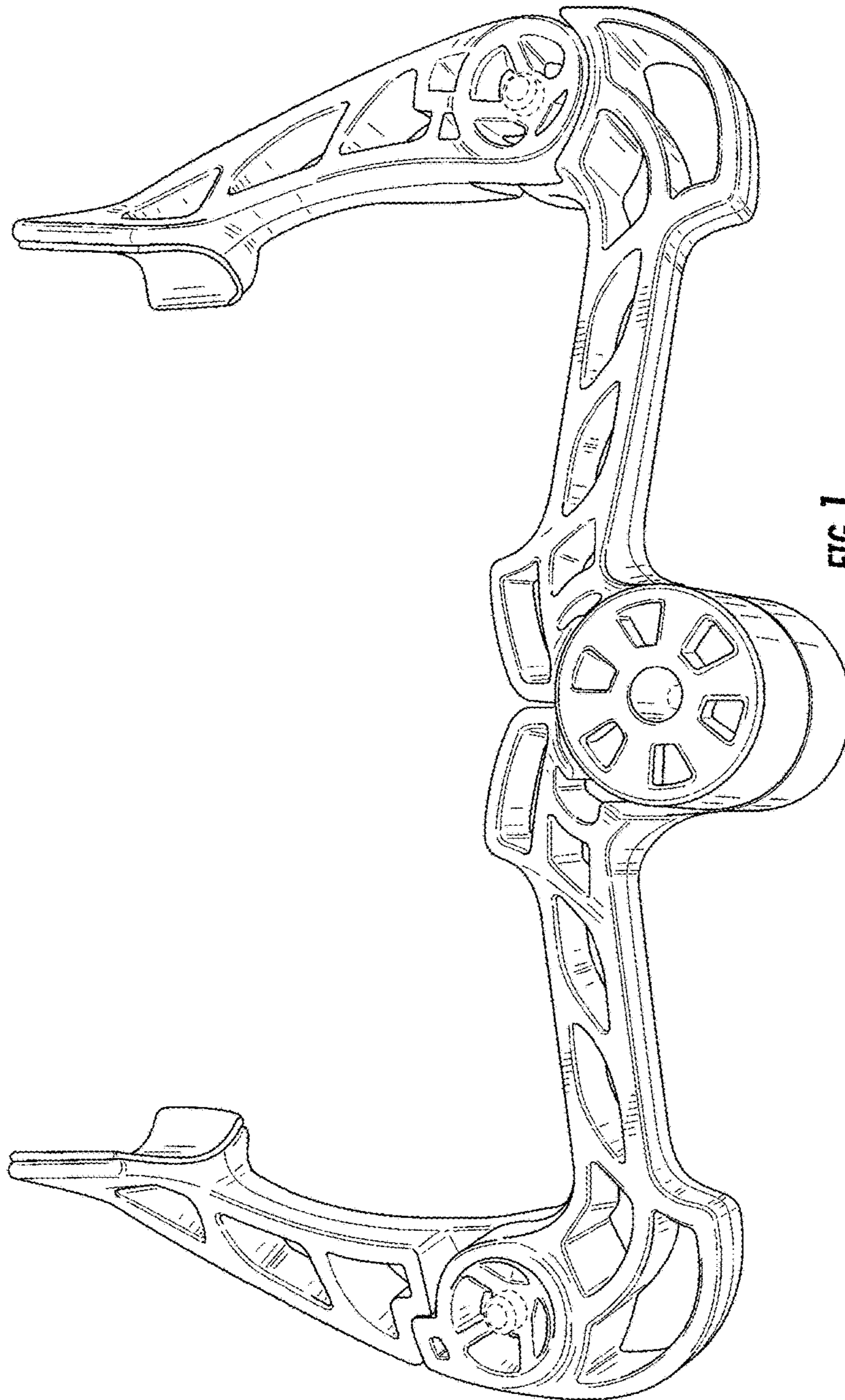
(56)

References Cited

U.S. PATENT DOCUMENTS

D812,160 S *	3/2018	Dennis	D21/692
9,962,571 B2 *	5/2018	Dennis	A63B 21/02
2007/0066459 A1 *	3/2007	Lemmex	A63B 21/0004 482/124
2007/0238590 A1 *	10/2007	Jin	A63B 21/0004 482/121
2011/0224056 A1 *	9/2011	Allen	A63B 21/0004 482/126

* cited by examiner



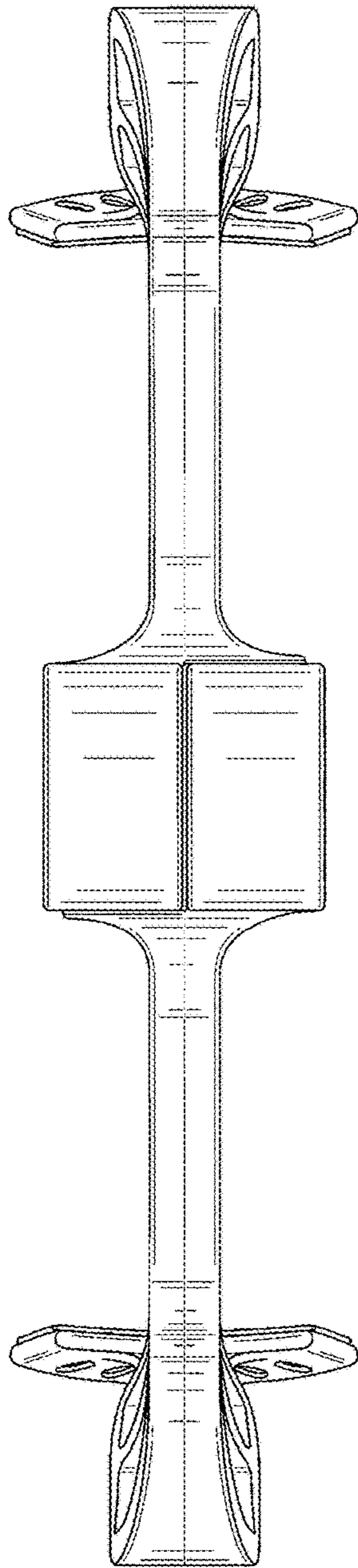


FIG. 2

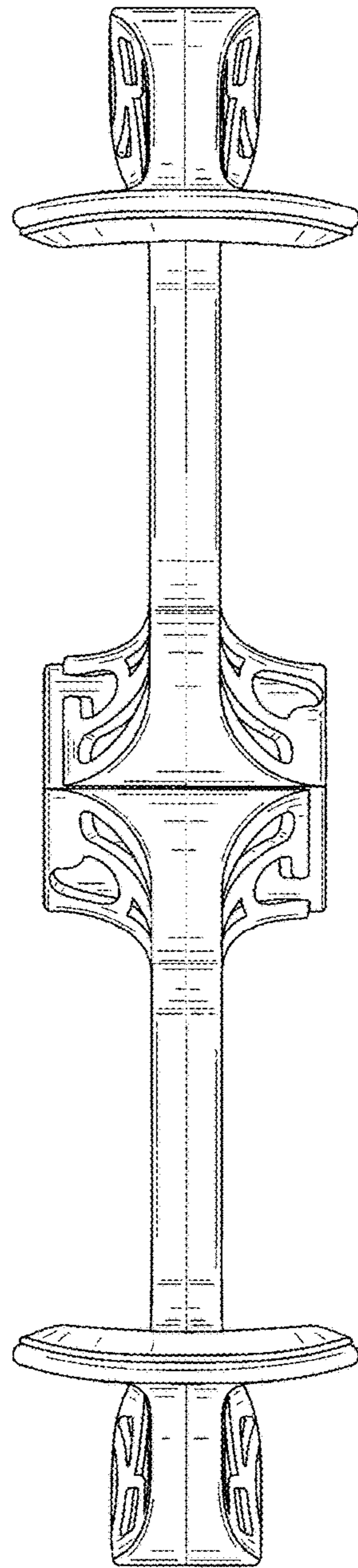


FIG. 3

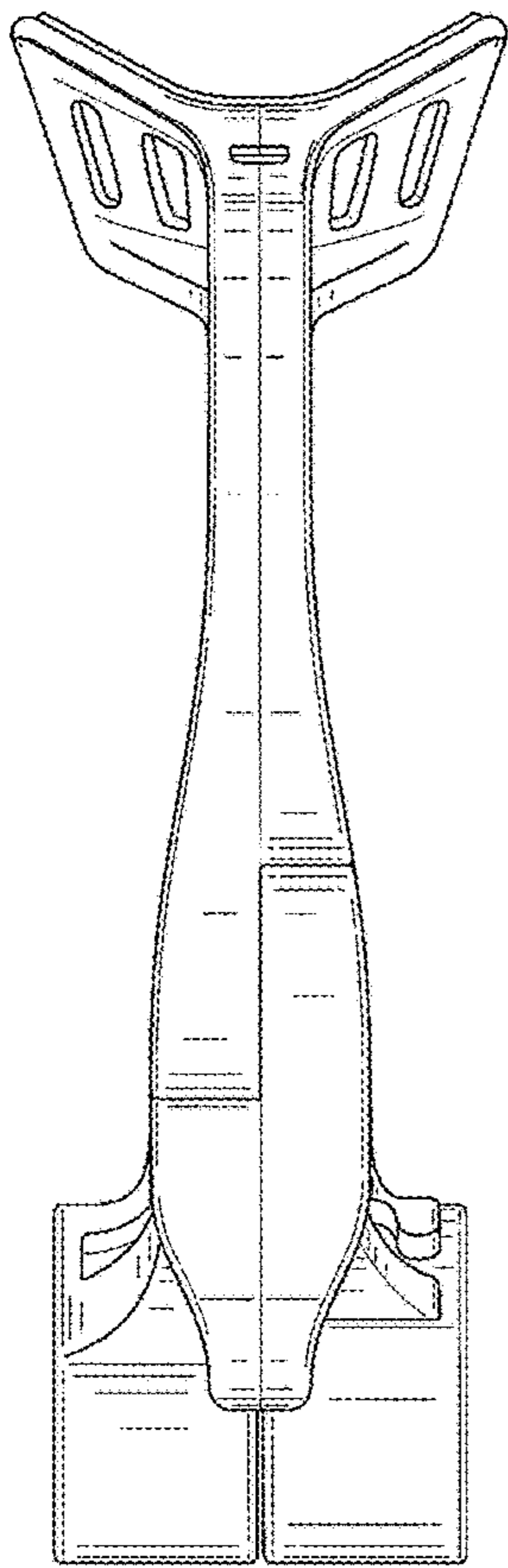


FIG. 4

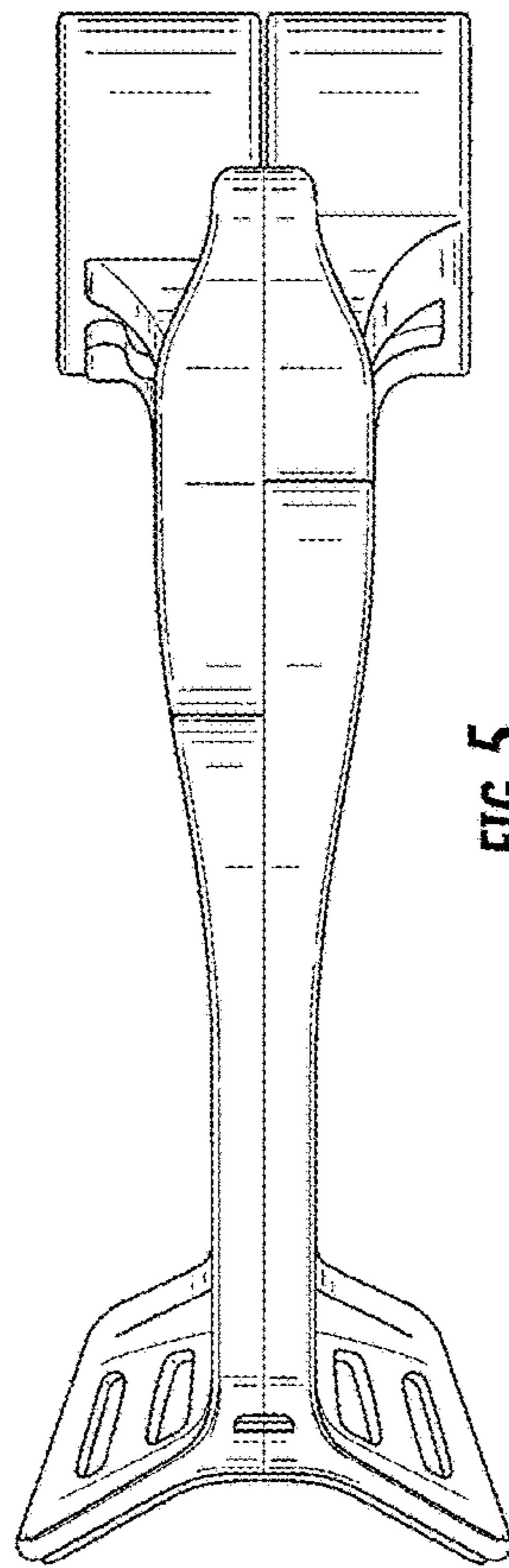


FIG. 5

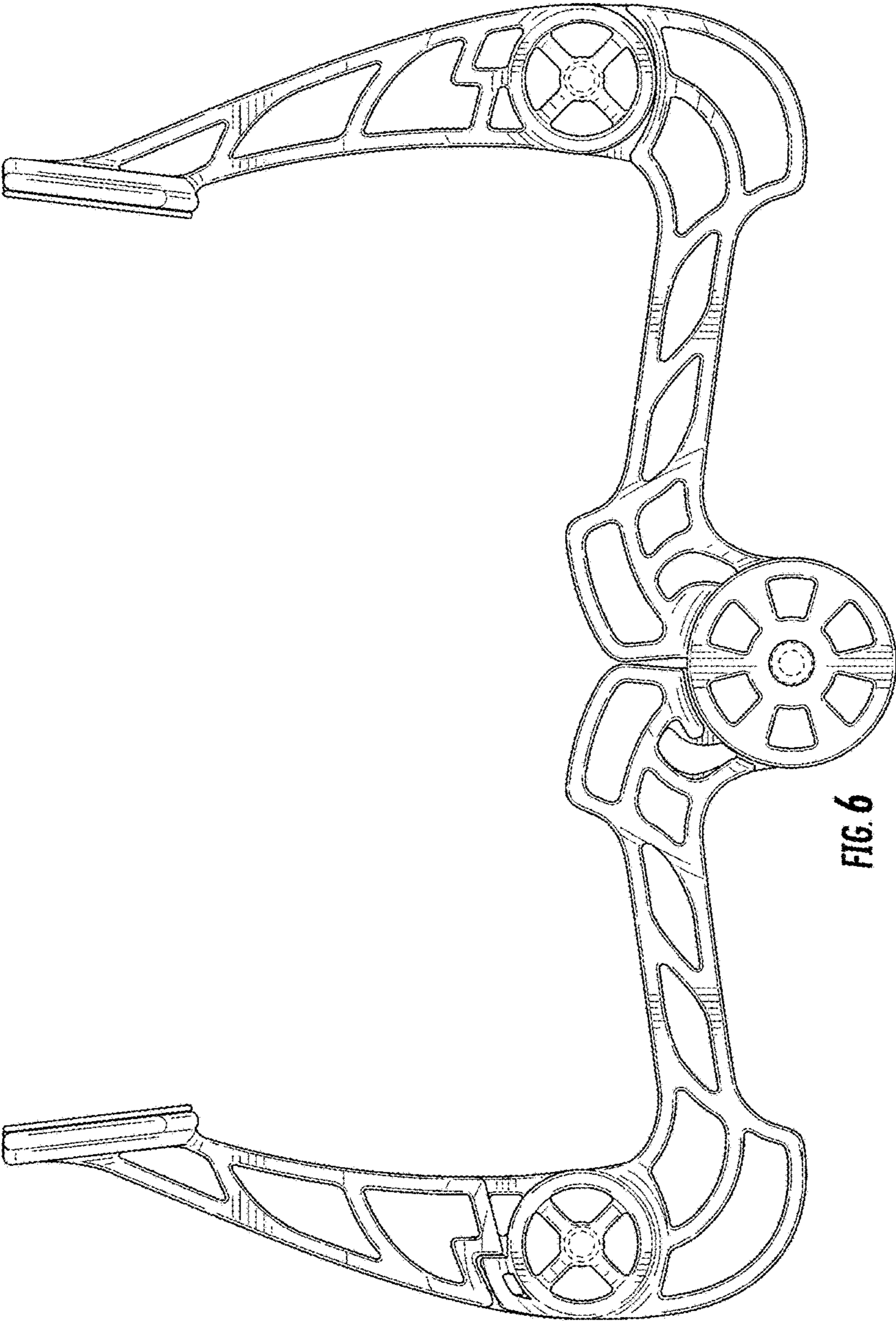


FIG. 6

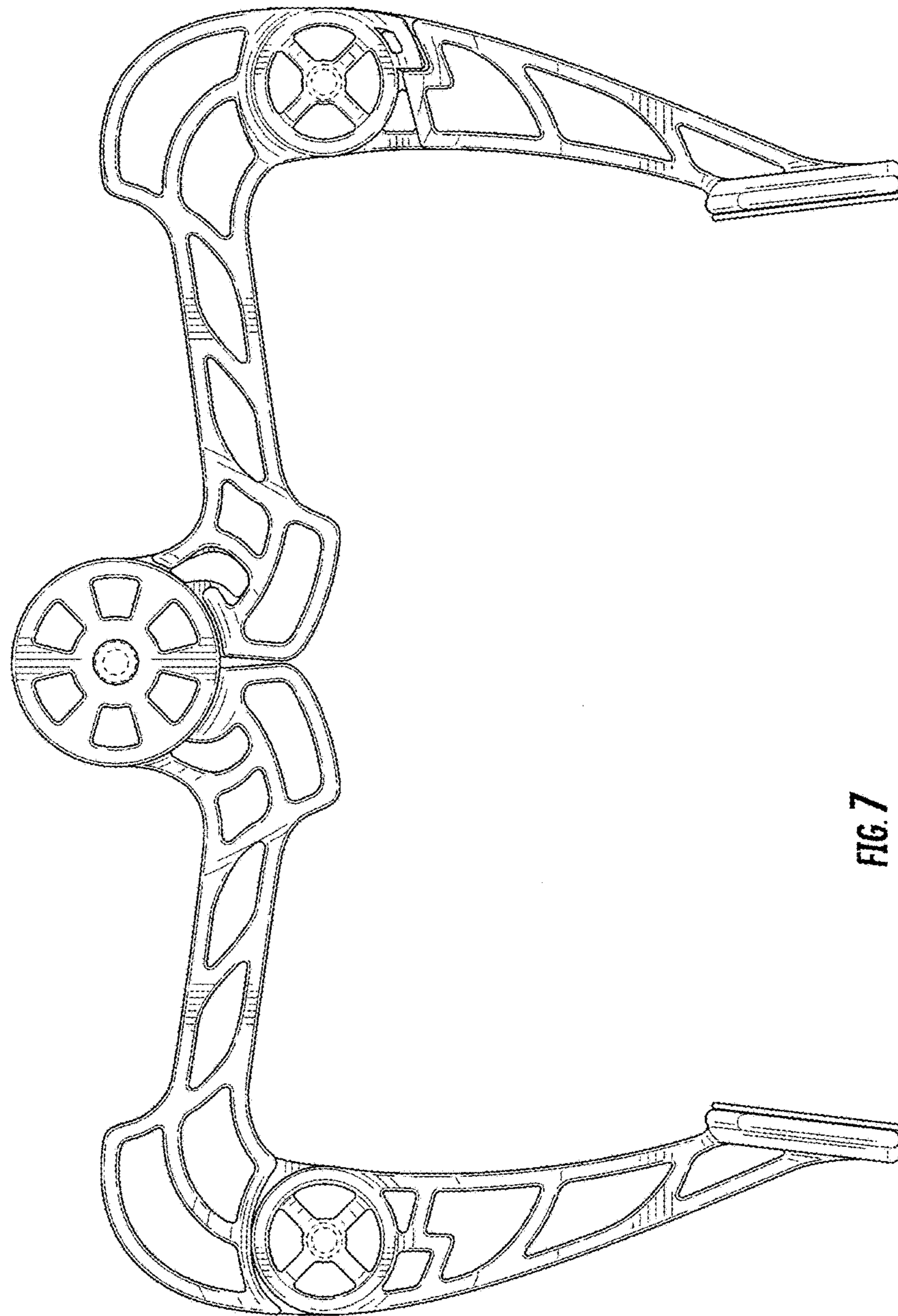


FIG. 7