

US00D864316S

(12) **United States Design Patent** (10) **Patent No.:** **US D864,316 S**  
**Brown** (45) **Date of Patent:** **\*\* Oct. 22, 2019**

(54) **EXERCISE APPARATUS**  
(71) Applicant: **Antonio Brown**, Gibsonia, FL (US)  
(72) Inventor: **Antonio Brown**, Gibsonia, FL (US)  
(\*\*) Term: **15 Years**  
(21) Appl. No.: **29/611,916**  
(22) Filed: **Jul. 26, 2017**  
(51) **LOC (12) Cl.** ..... **21-02**  
(52) **U.S. Cl.**  
USPC ..... **D21/671**  
(58) **Field of Classification Search**  
USPC ..... D21/668, 688, 671, 686, 662, 689, 687,  
D21/413, 412, 423, 692, 694, 698, 760,  
D21/765, 766, 769, 803; 482/70, 79, 71,  
482/132, 34, 146, 142, 93, 105, 110, 121,  
482/123, 126, 130, 139, 141, 147, 148,  
482/51, 52, 77; 472/135, 110, 14, 218,  
472/269, 409, 451, 452; 600/595;  
473/451, 452, 269, 409; D6/349, 353,  
D6/406.3, 582, 592, 685, 707.22;  
280/205, 87.042, 609; D14/413, 419  
CPC ..... A63B 22/001; A63B 21/4035; A63B  
22/0664; A63B 21/0552; A63B 21/225;  
A63B 2208/0204; A63B 21/0442  
See application file for complete search history.

D336,671 S \* 6/1993 Novakoski ..... D21/686  
D337,362 S \* 7/1993 Goldstein ..... D21/671  
D342,298 S \* 12/1993 Schnabel, Jr. .... D21/671  
5,290,210 A \* 3/1994 Hand ..... A63B 23/0458  
482/51  
D346,630 S \* 5/1994 Van Der Hoeven ..... D21/671  
D347,666 S \* 6/1994 Hand ..... D21/671  
D349,540 S \* 8/1994 Hand ..... D21/671  
D353,636 S \* 12/1994 Le Roux ..... D21/671  
D357,517 S \* 4/1995 Traetta ..... D21/690  
D371,176 S \* 6/1996 Furrier ..... D21/671  
5,591,105 A \* 1/1997 Dalebout ..... A63B 23/0458  
248/188.2  
5,645,511 A \* 7/1997 Le Roux ..... A63B 23/0458  
482/142  
D413,989 S \* 9/1999 Dupont ..... D25/62  
D495,379 S \* 8/2004 Dubus ..... D21/686

(Continued)

*Primary Examiner* — Ryan Harvey  
(74) *Attorney, Agent, or Firm* — John Rizvi; The Patent Professor ®

(57) **CLAIM**

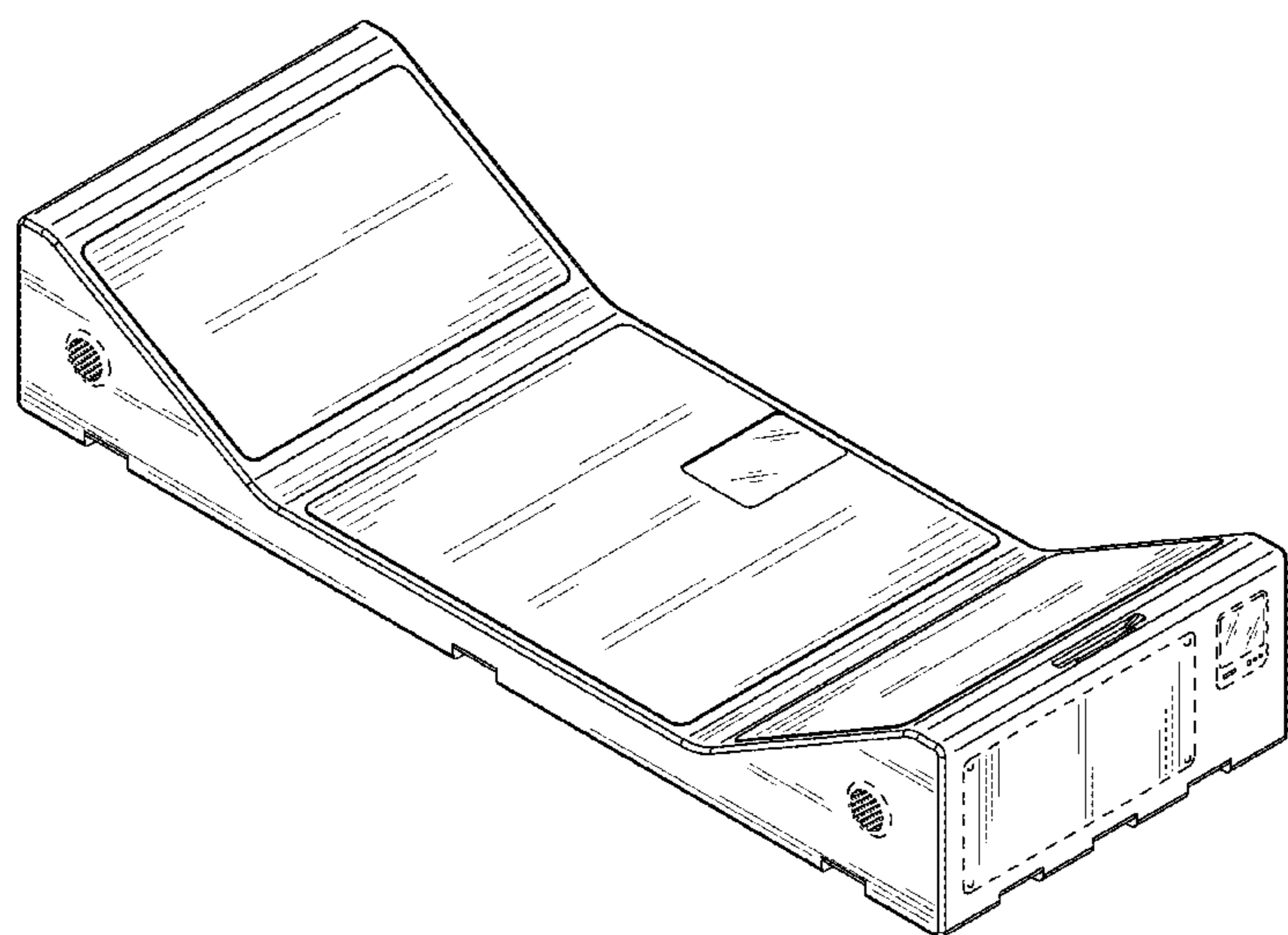
I claim the ornamental design for an exercise apparatus, as shown and described.

**DESCRIPTION**

FIG. 1 is a top, front right-side isometric view of an exercise apparatus showing my new design;  
FIG. 2 is a bottom, front left-side isometric view thereof;  
FIG. 3 is a front elevation view thereof;  
FIG. 4 is a top plan view thereof;  
FIG. 5 is a bottom plan view thereof;  
FIG. 6 is an enlarged, left side elevation view thereof; and,  
FIG. 7 is an enlarged, right side elevation view thereof.  
A design rear elevation view has been omitted, as it is a mirror image of the front elevation view of FIG. 3.  
The portions of the exercise apparatus depicted in the figures in broken lines form no part of the claimed design.

**1 Claim, 7 Drawing Sheets**

(56) **References Cited**  
U.S. PATENT DOCUMENTS  
4,106,413 A \* 8/1978 Hoaglund ..... A47B 9/16  
108/12  
D318,958 S \* 8/1991 Ahlstrom ..... D6/349  
D330,235 S \* 10/1992 Traetta ..... D21/671  
D330,922 S \* 11/1992 Novakoski ..... D21/686  
5,169,360 A \* 12/1992 Saunders ..... A63B 23/0458  
108/12  
5,213,554 A \* 5/1993 Goldstein ..... A63B 23/0458  
108/19



(56)

**References Cited**

U.S. PATENT DOCUMENTS

7,591,763	B1 *	9/2009	Fucci .....	A63B 21/0552 482/121
7,927,256	B2 *	4/2011	Flentye .....	A63B 23/0458 482/142
8,348,812	B2 *	1/2013	Elpers .....	A63B 23/0458 482/142
D681,750	S *	5/2013	Meyer-Hayoz .....	D21/686
8,465,100	B2 *	6/2013	Kim .....	A47C 16/025 297/423.41
8,512,142	B2 *	8/2013	Meldeau .....	A63B 23/0458 463/36
D695,367	S *	12/2013	Lovegrove .....	D21/671
9,192,813	B2 *	11/2015	Ross .....	A63B 23/0458
D804,590	S *	12/2017	Hillson .....	D21/671
D815,847	S *	4/2018	Vincent .....	D6/349
10,252,103	B2 *	4/2019	Irwin .....	A63B 23/0458
2005/0148449	A1 *	7/2005	Weir .....	A63B 21/00047 482/142
2006/0040796	A1 *	2/2006	Holloway .....	A63B 21/028 482/52
2011/0256987	A1 *	10/2011	Lepore .....	A63B 23/0458 482/52
2011/0263397	A1 *	10/2011	Jackson .....	A63B 23/0458 482/142
2015/0196799	A1 *	7/2015	Chua .....	A63B 23/1236 482/141

\* cited by examiner

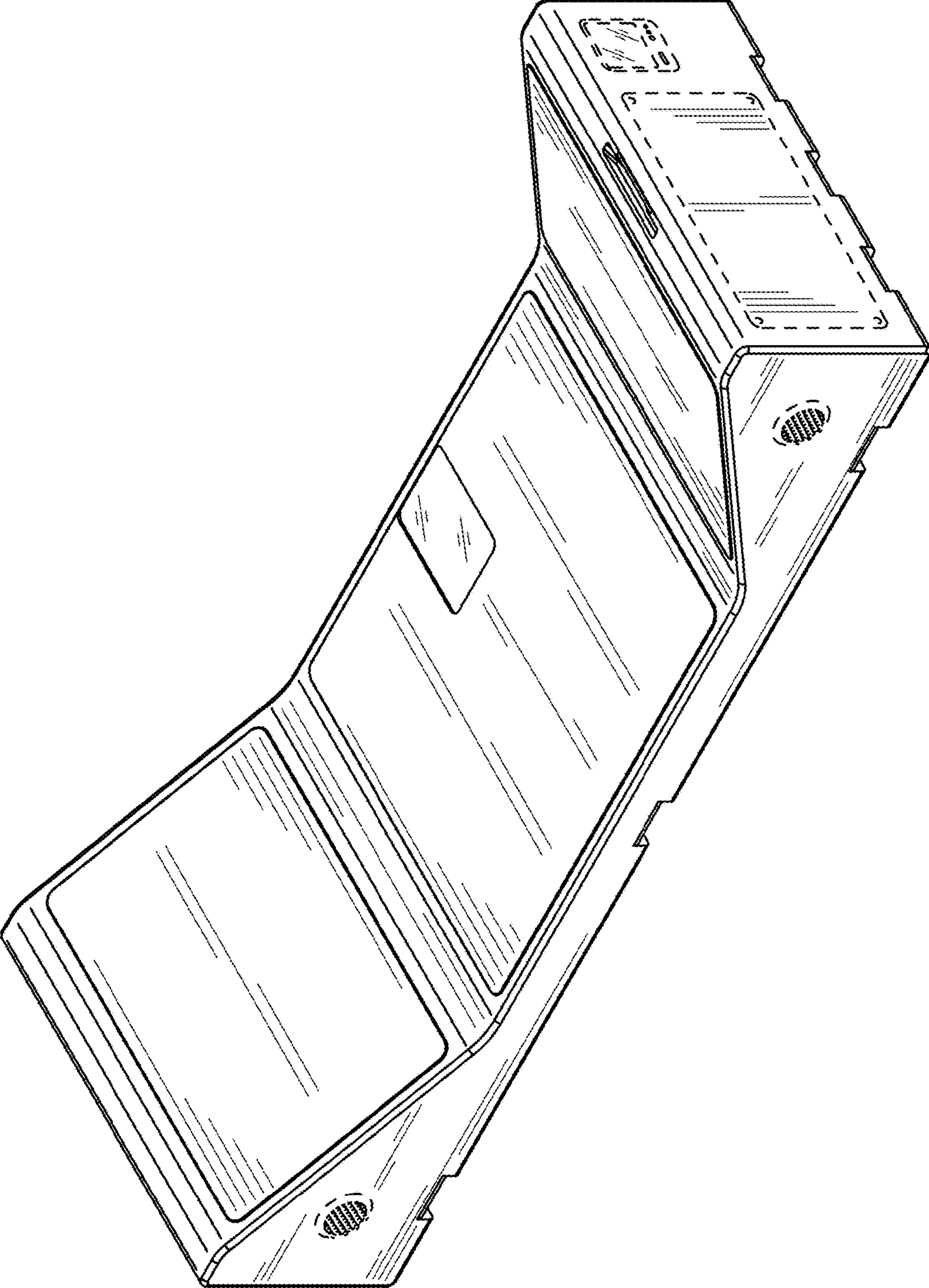


FIG. 1



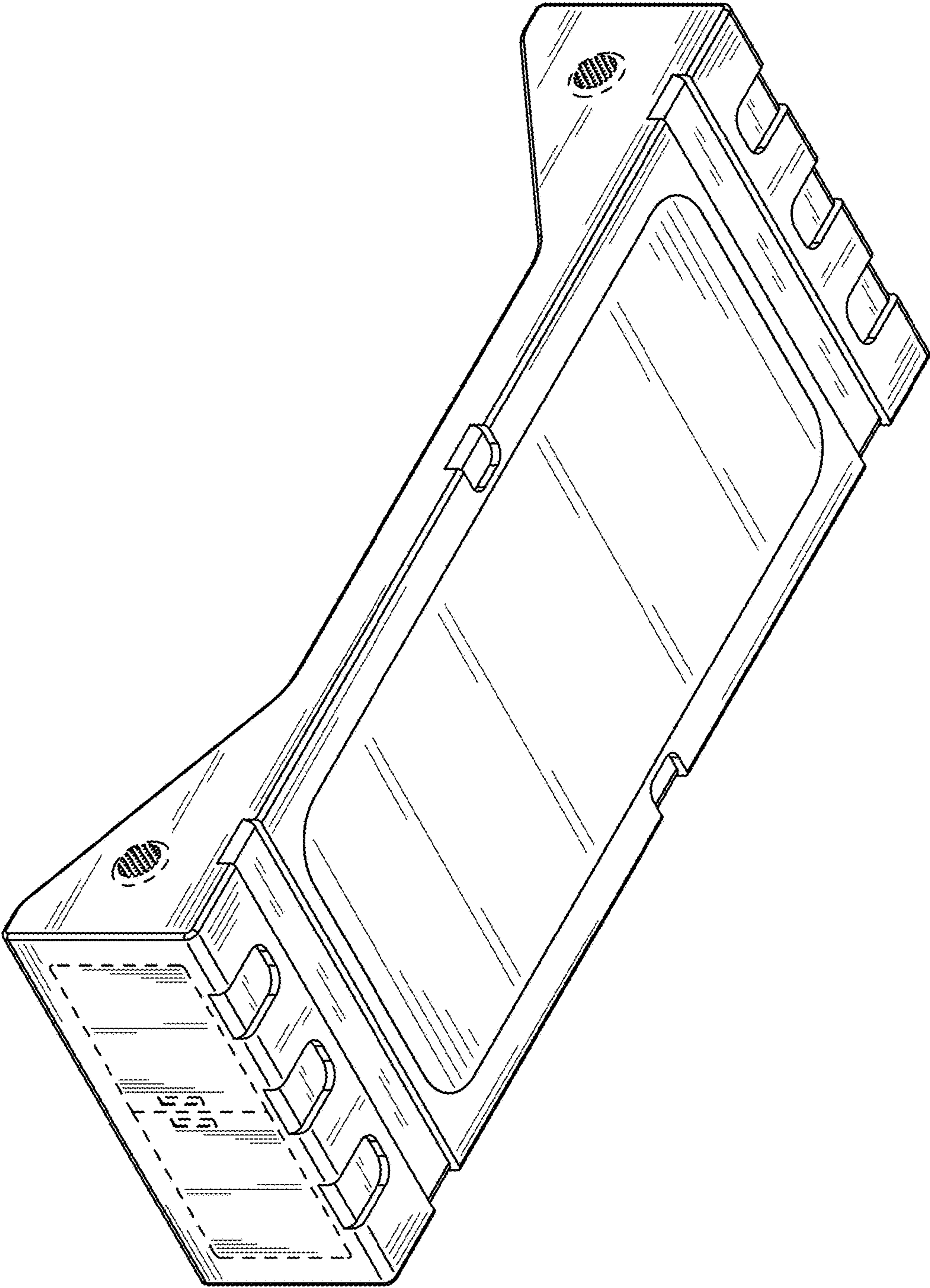


FIG. 2

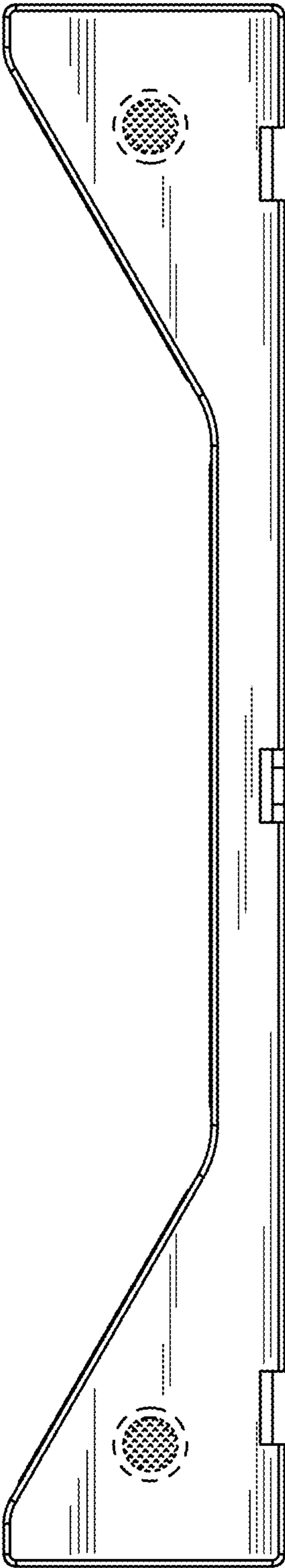


FIG. 3

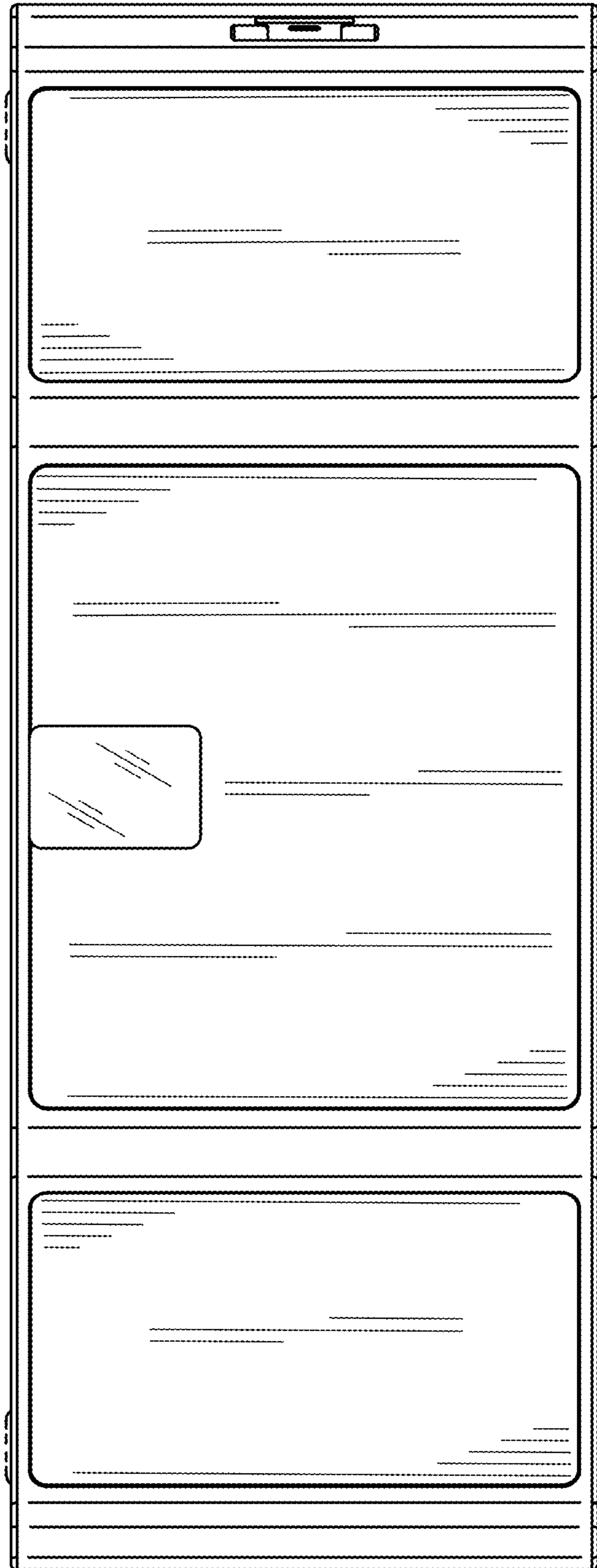


FIG. 4

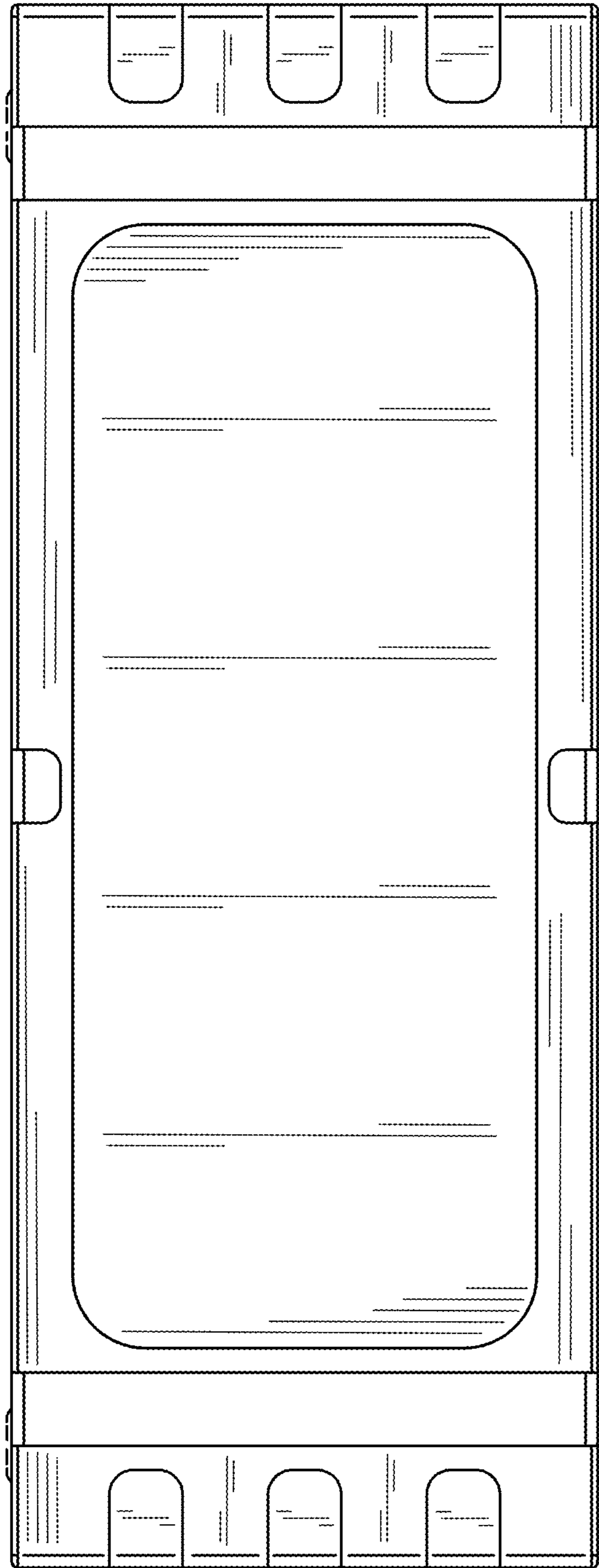


FIG. 5

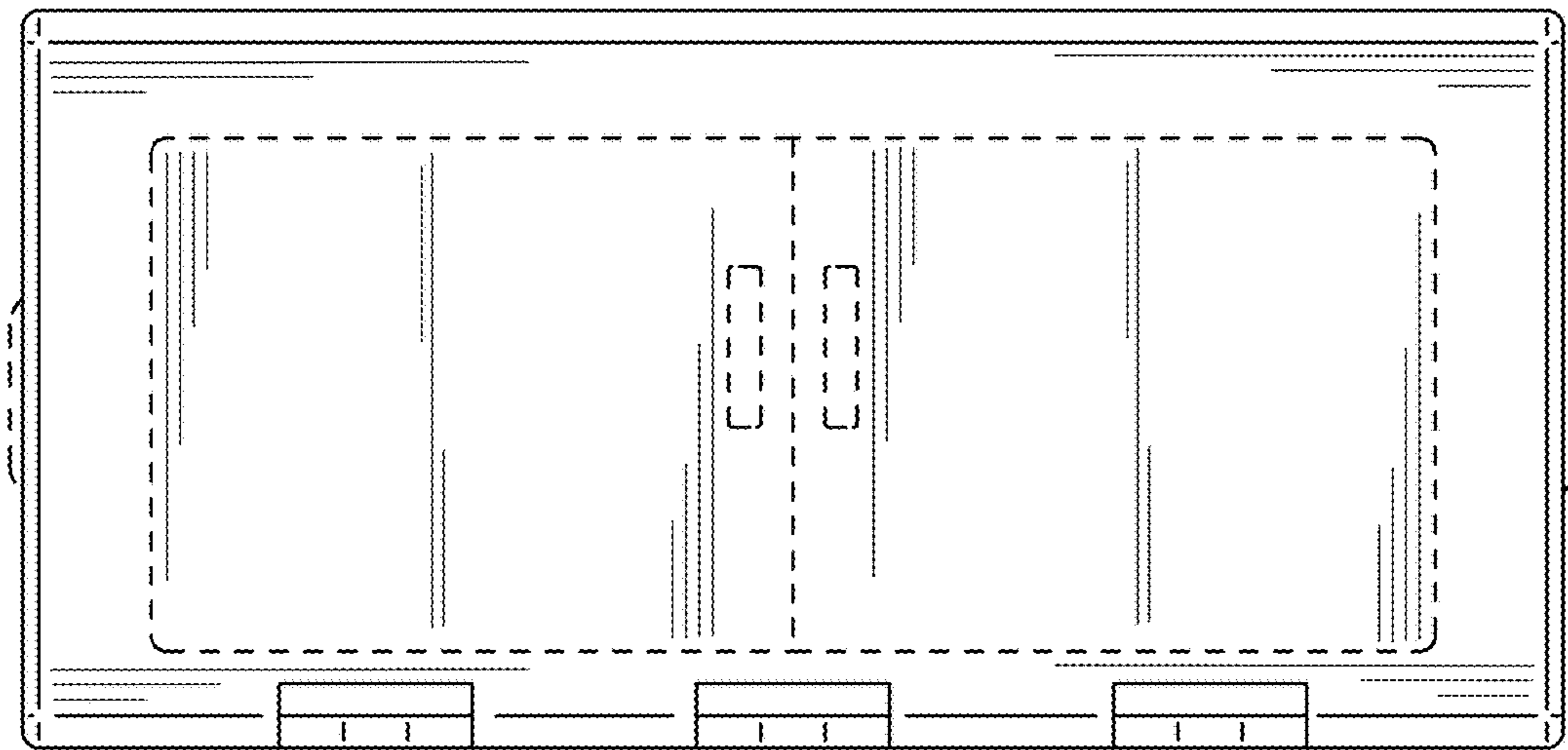


FIG. 6



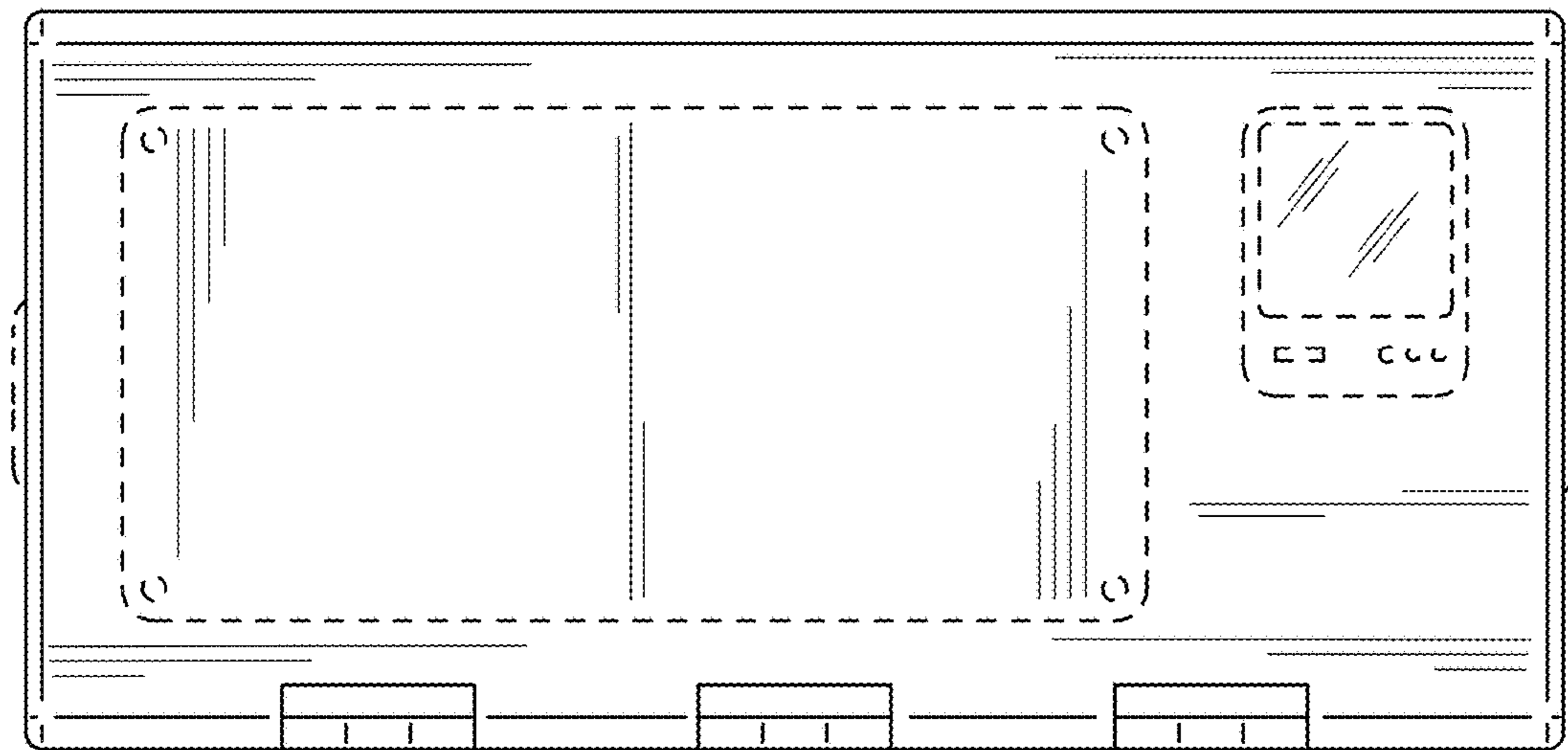


FIG. 7