



US00D864314S

(12) **United States Design Patent**  
**Kim**

(10) **Patent No.:** **US D864,314 S**

(45) **Date of Patent:** **\*\* Oct. 22, 2019**

(54) **BLOCK TOY**

(71) Applicant: **OXFORD CO., LTD**, Busan (KR)

(72) Inventor: **Young-Man Kim**, Busan (KR)

(73) Assignee: **OXFORD CO., LTD**, Busan (KR)

(\*\*) Term: **15 Years**

(21) Appl. No.: **29/649,769**

(22) Filed: **Jun. 1, 2018**

(51) **LOC (12) Cl.** ..... **21-01**

(52) **U.S. Cl.**  
USPC ..... **D21/621**

(58) **Field of Classification Search**  
USPC ..... D21/621, 623, 627, 630, 658, 659, 661;  
D19/59  
CPC ..... A63H 3/00-31  
See application file for complete search history.

(56) **References Cited**

**U.S. PATENT DOCUMENTS**

D253,711 S \* 12/1979 Christiansen ..... D21/621  
D278,735 S \* 5/1985 Nielsen ..... D21/621

D317,796 S \* 6/1991 Laursen ..... D21/621  
D352,078 S \* 11/1994 Bertrand ..... D21/621  
D539,364 S \* 3/2007 Sofussen ..... D21/621  
D680,598 S \* 4/2013 Geller ..... D21/621  
D738,966 S \* 9/2015 Chen ..... D21/621  
D831,130 S \* 10/2018 Davis ..... D21/621  
D845,403 S \* 4/2019 Davies ..... D21/621

\* cited by examiner

*Primary Examiner* — Zenia I Bennett

(74) *Attorney, Agent, or Firm* — Berenato & White, LLC

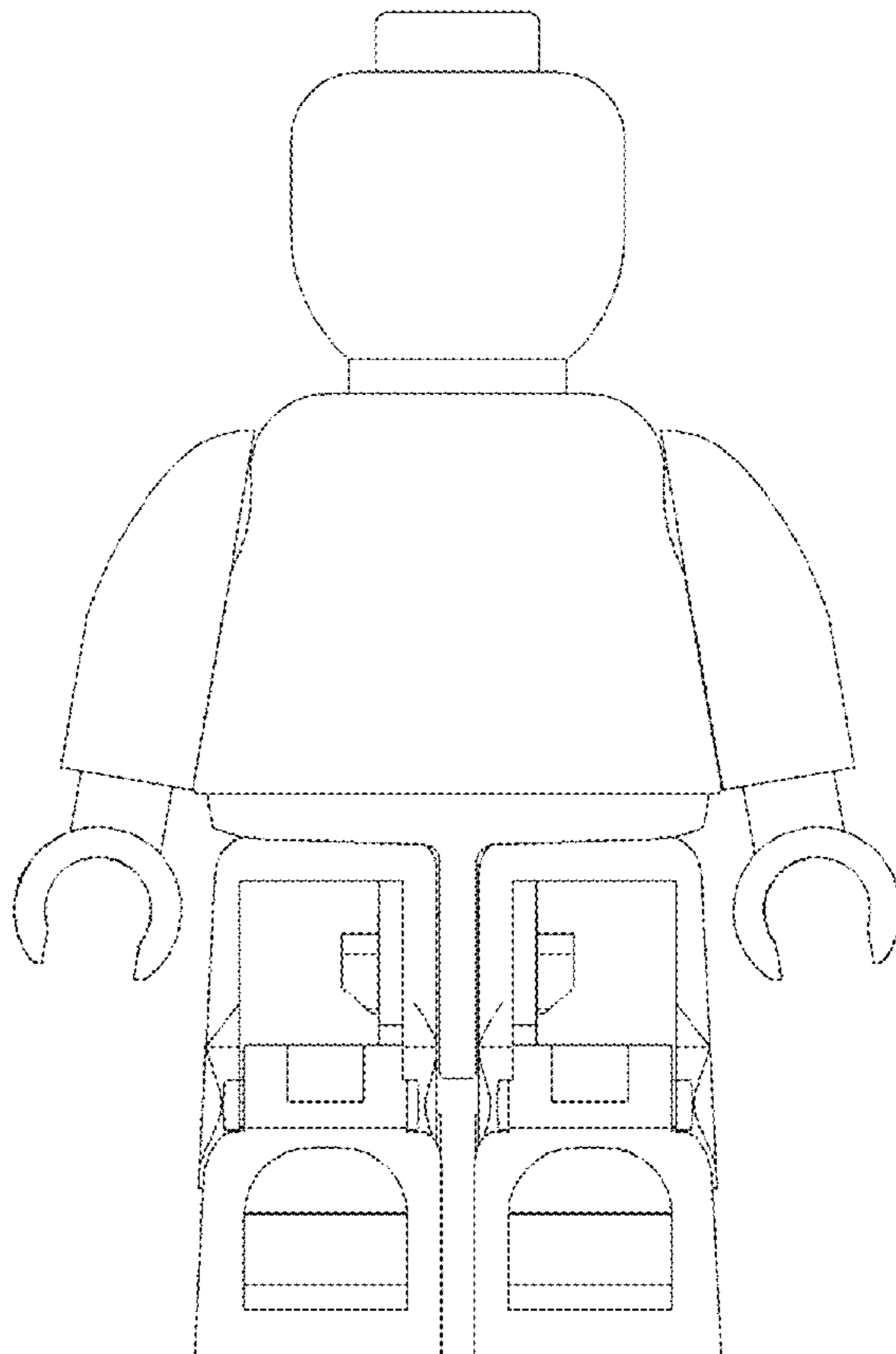
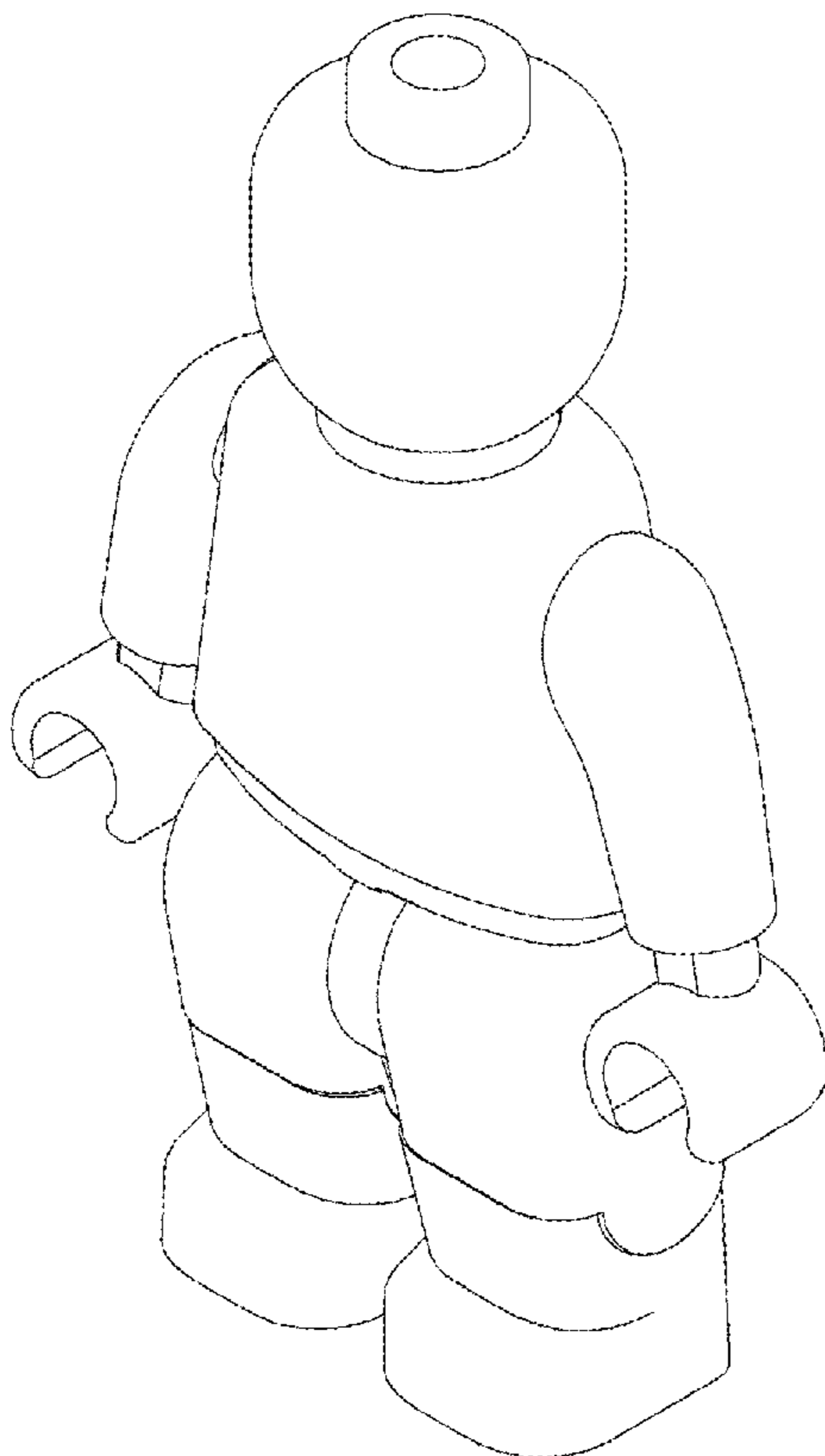
(57) **CLAIM**

The ornamental design for a block toy, as shown and described.

**DESCRIPTION**

FIG. 1 is a front perspective view of my design;  
FIG. 2 is a front elevational view;  
FIG. 3 is a rear elevational view;  
FIG. 4 is a left side view;  
FIG. 5 is a right side view;  
FIG. 6 is a top plan view;  
FIG. 7 is a bottom plan view; and,  
FIG. 8 is a rear perspective view.

**1 Claim, 7 Drawing Sheets**



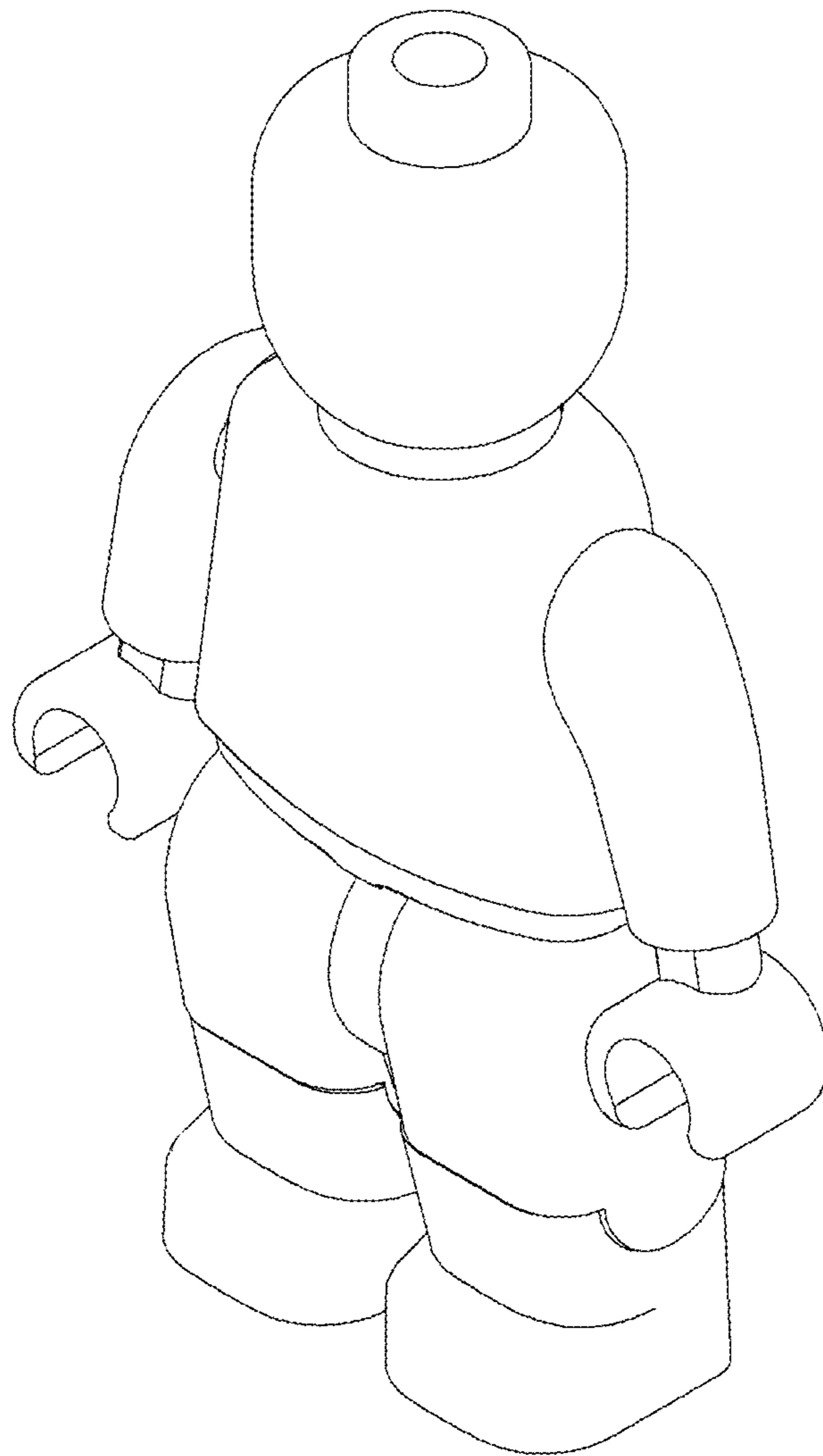


FIGURE 1

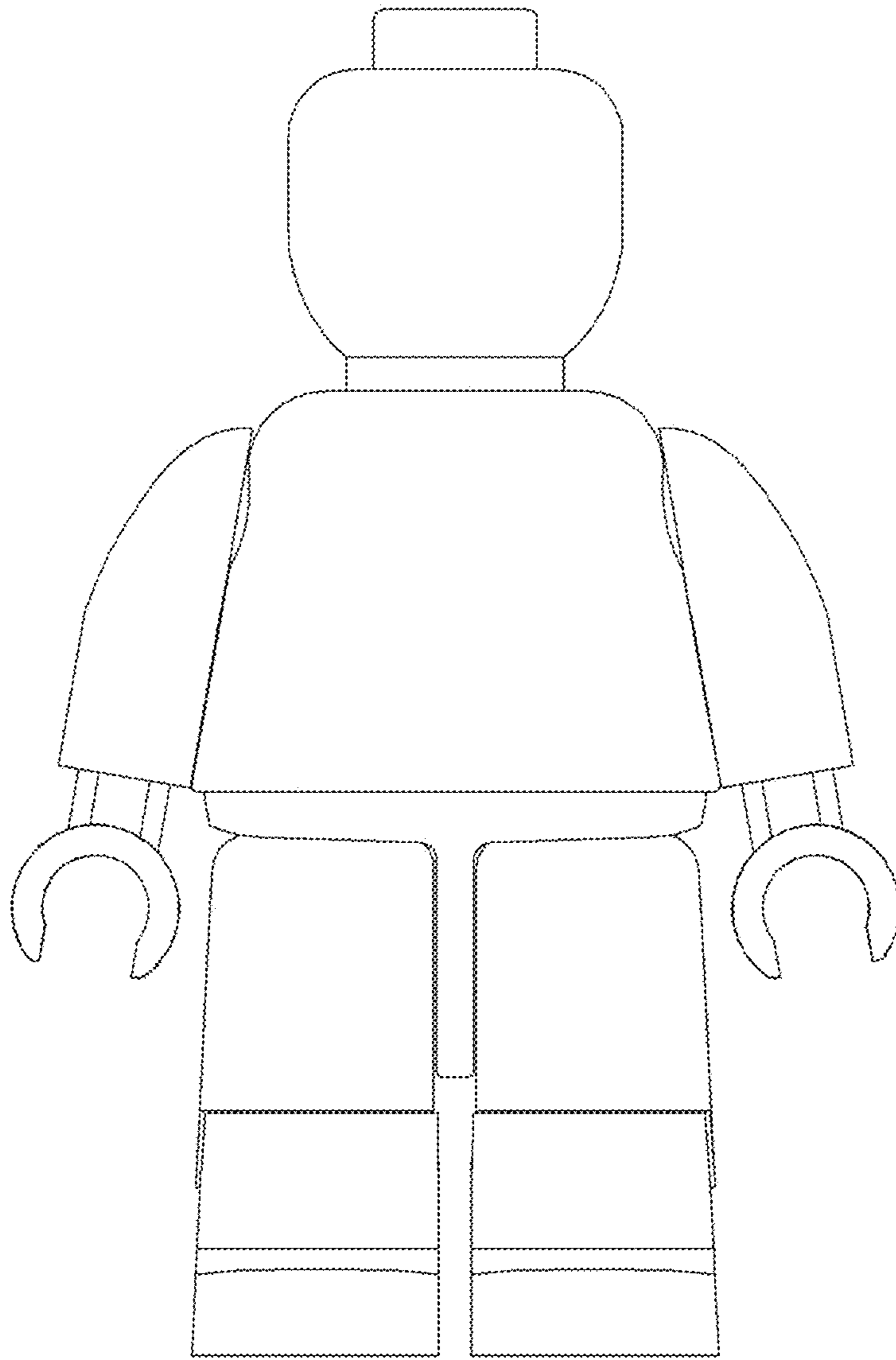


FIGURE 2

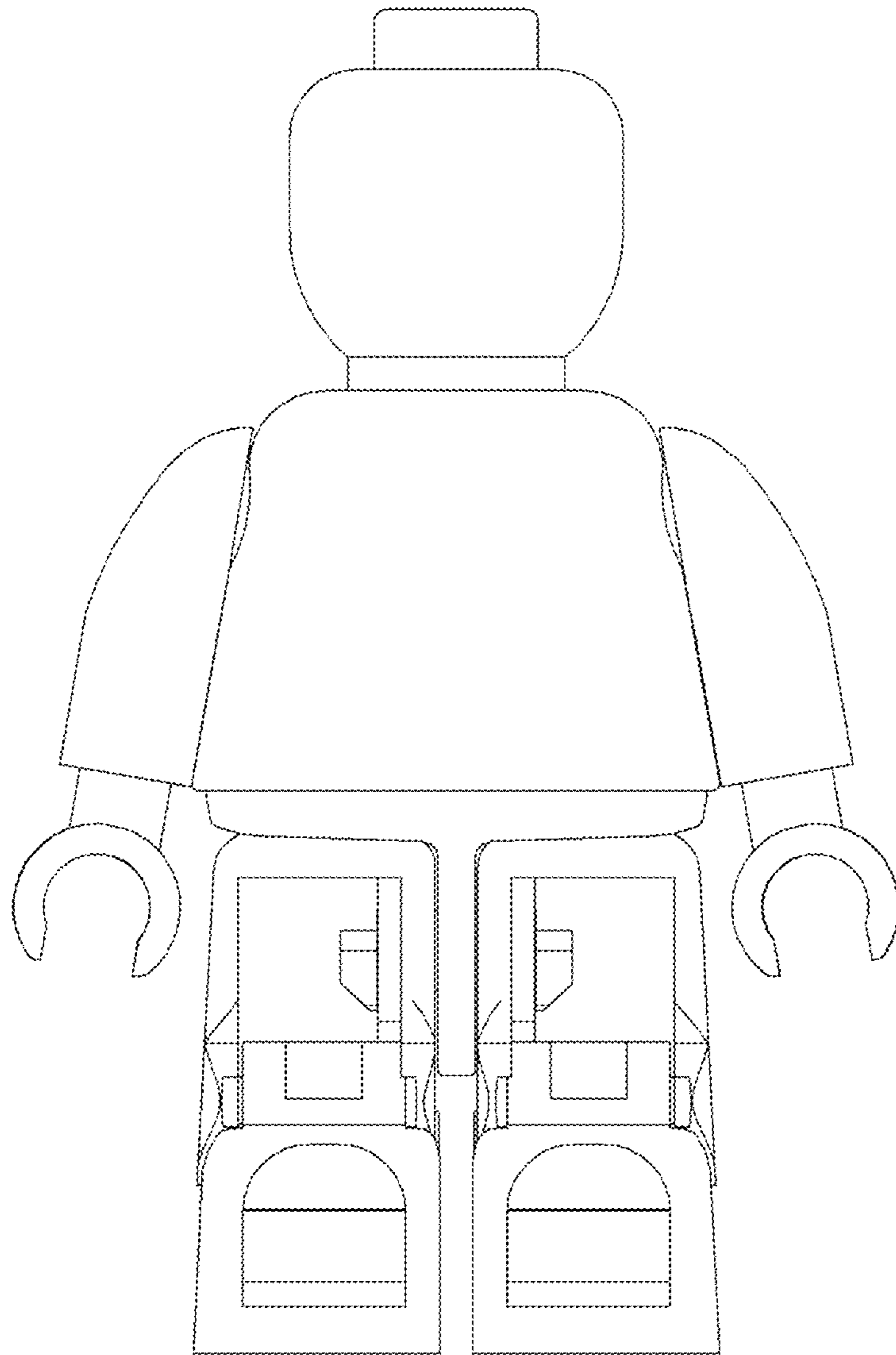


FIGURE 3

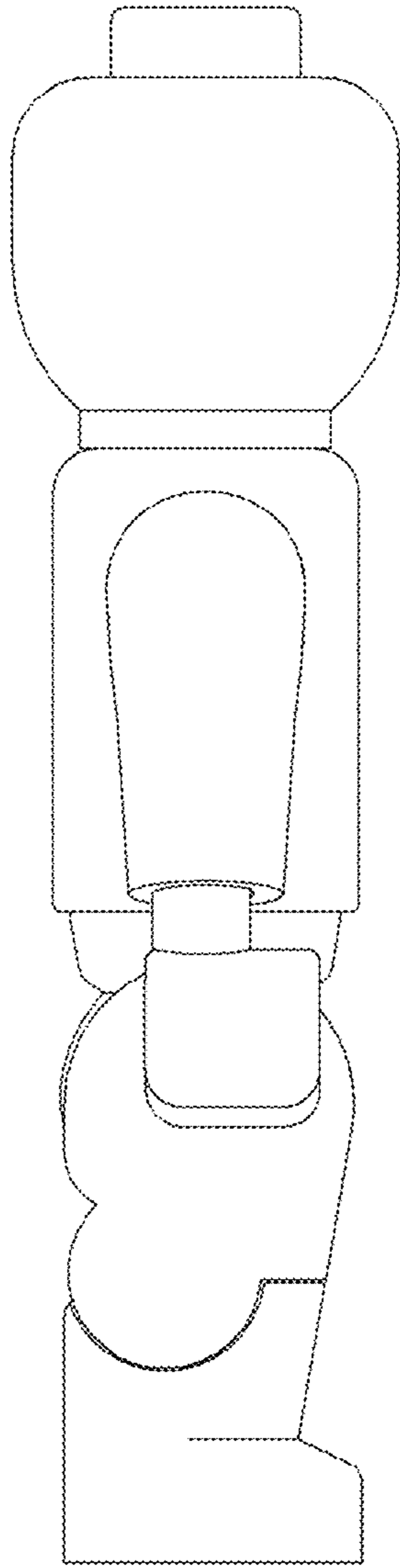


FIGURE 4

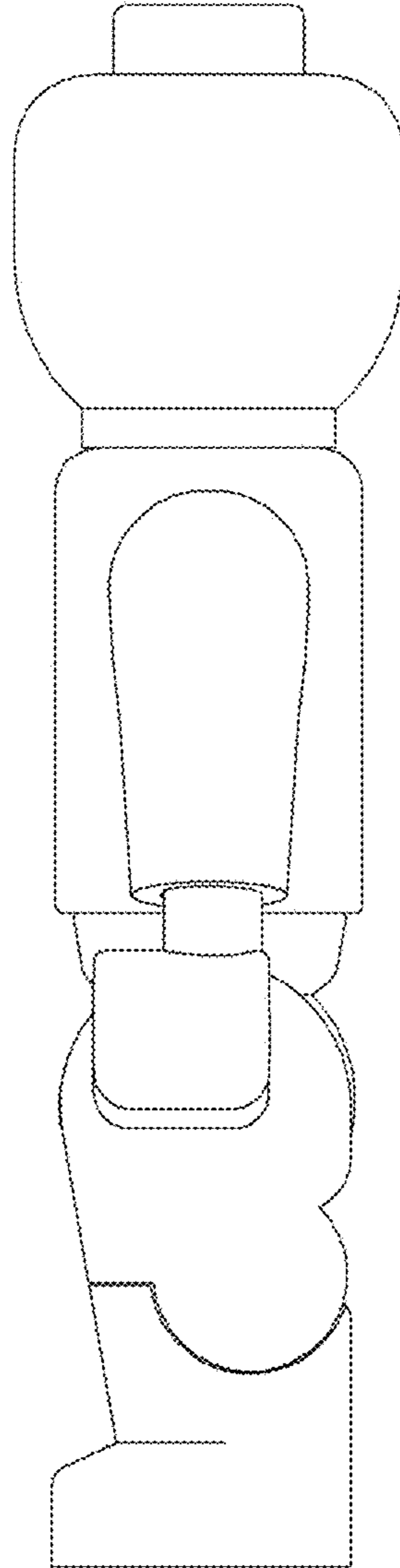


FIGURE 5

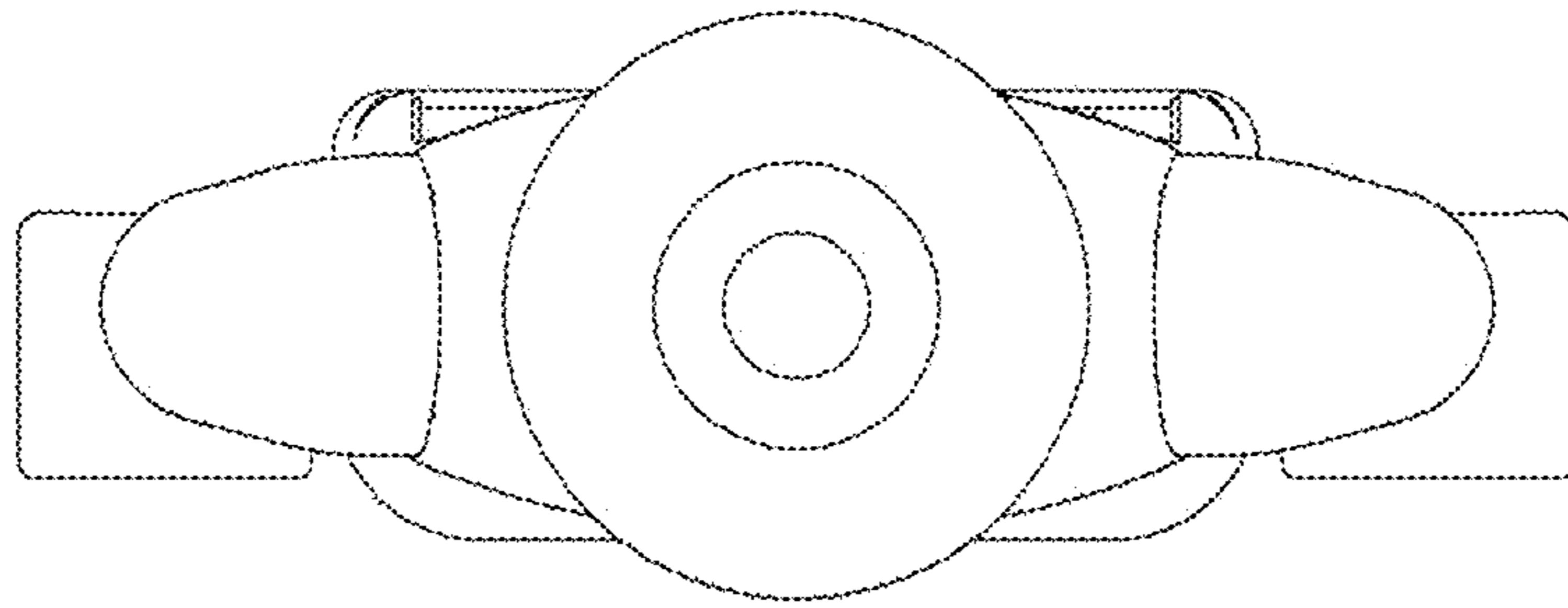


FIGURE 6

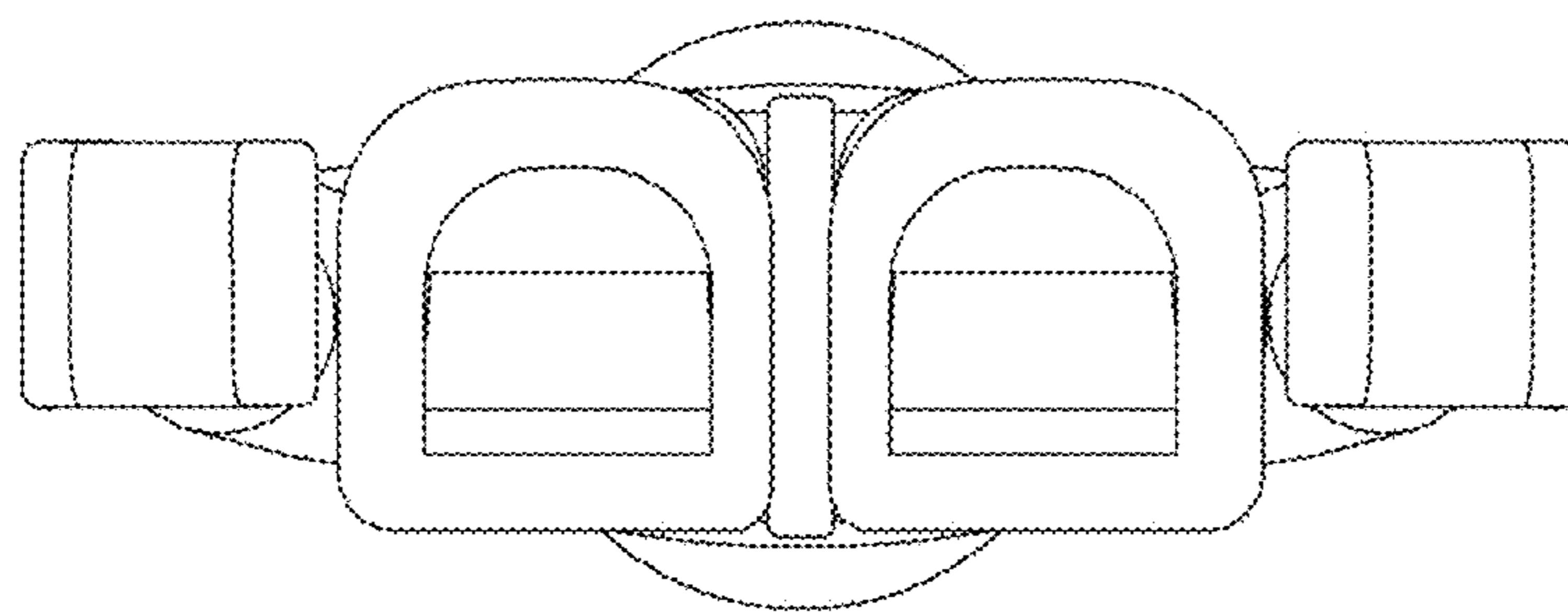


FIGURE 7

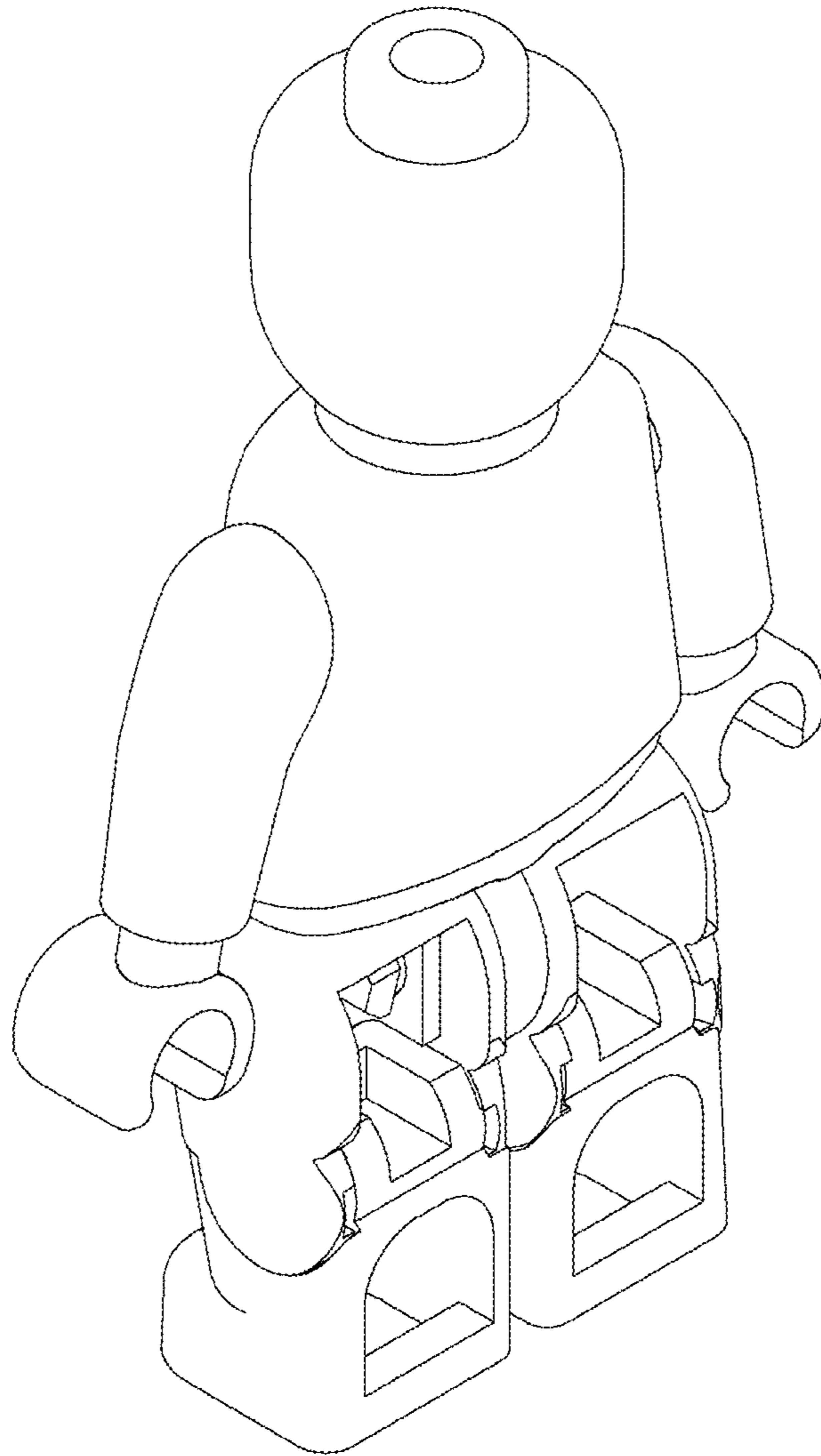


FIGURE 8