



US00D864313S

(12) **United States Design Patent**  
**Weisman et al.**

(10) **Patent No.:** **US D864,313 S**  
(45) **Date of Patent:** **\*\* Oct. 22, 2019**

(54) **WATER TOY**

(71) Applicant: **Global Marketing Enterprise (GME) Ltd.**, Tel Aviv (IL)

(72) Inventors: **Zafrira Weisman**, Tel Aviv (IL); **Israel Zanger**, Tel Aviv (IL)

(\*\*) Term: **15 Years**

(21) Appl. No.: **29/645,419**

(22) Filed: **Apr. 26, 2018**

(30) **Foreign Application Priority Data**

Jan. 2, 2018 (IL) ..... 61452

(51) **LOC (12) Cl.** ..... **21-01**

(52) **U.S. Cl.**  
USPC ..... **D21/606; D21/608; D21/473**

(58) **Field of Classification Search**

USPC ..... D6/598; D11/158, 162; D21/398, 401, D21/473-474, 572, 576-596, 606-608; 446/368-369, 376, 428, 487; D23/215, D23/222

CPC ... A63H 3/00; A63H 3/02; A63H 3/04; A63H 3/12; A63H 3/16; A63H 3/28; A63H 33/00; A63H 7/06; A63H 11/00; A63H 11/10; A63H 11/20; A63H 13/00; A63H 33/04; A63H 33/08

See application file for complete search history.

(56) **References Cited**

U.S. PATENT DOCUMENTS

D83,691 S *	3/1931	Mayerhofer	.....	D23/215
D159,127 S *	6/1950	Allen et al.	.....	D21/608
D357,524 S *	4/1995	Langmar	.....	D23/215
D639,383 S *	6/2011	Holbrook	.....	D21/608
D647,577 S *	10/2011	Rappaport-Rowan	.....	D21/606
D651,662 S *	1/2012	Monahan	.....	D21/608
D698,396 S *	1/2014	Friedland	.....	D21/572
D698,397 S *	1/2014	Friedland	.....	D21/572
D776,765 S *	1/2017	Weisman	.....	D21/608

\* cited by examiner

*Primary Examiner* — Sandra L Morris

(74) *Attorney, Agent, or Firm* — Haim M. Factor

(57) **CLAIM**

The ornamental design for a water toy, as shown and described.

**DESCRIPTION**

FIG. 1 is a frontal perspective view of the new design;

FIG. 2 is a left view thereof;

FIG. 3 is a right view thereof;

FIG. 4 is a front view thereof;

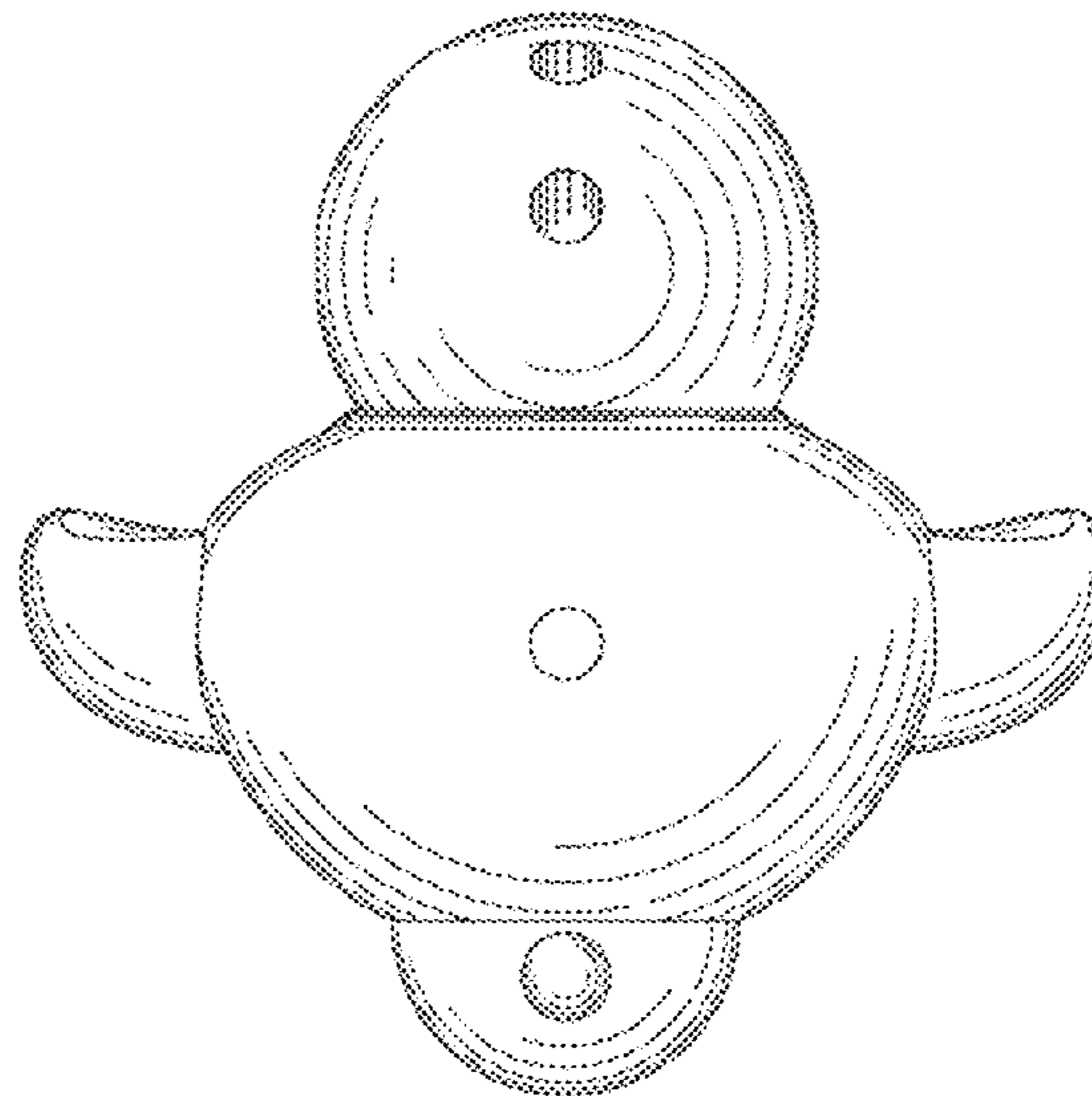
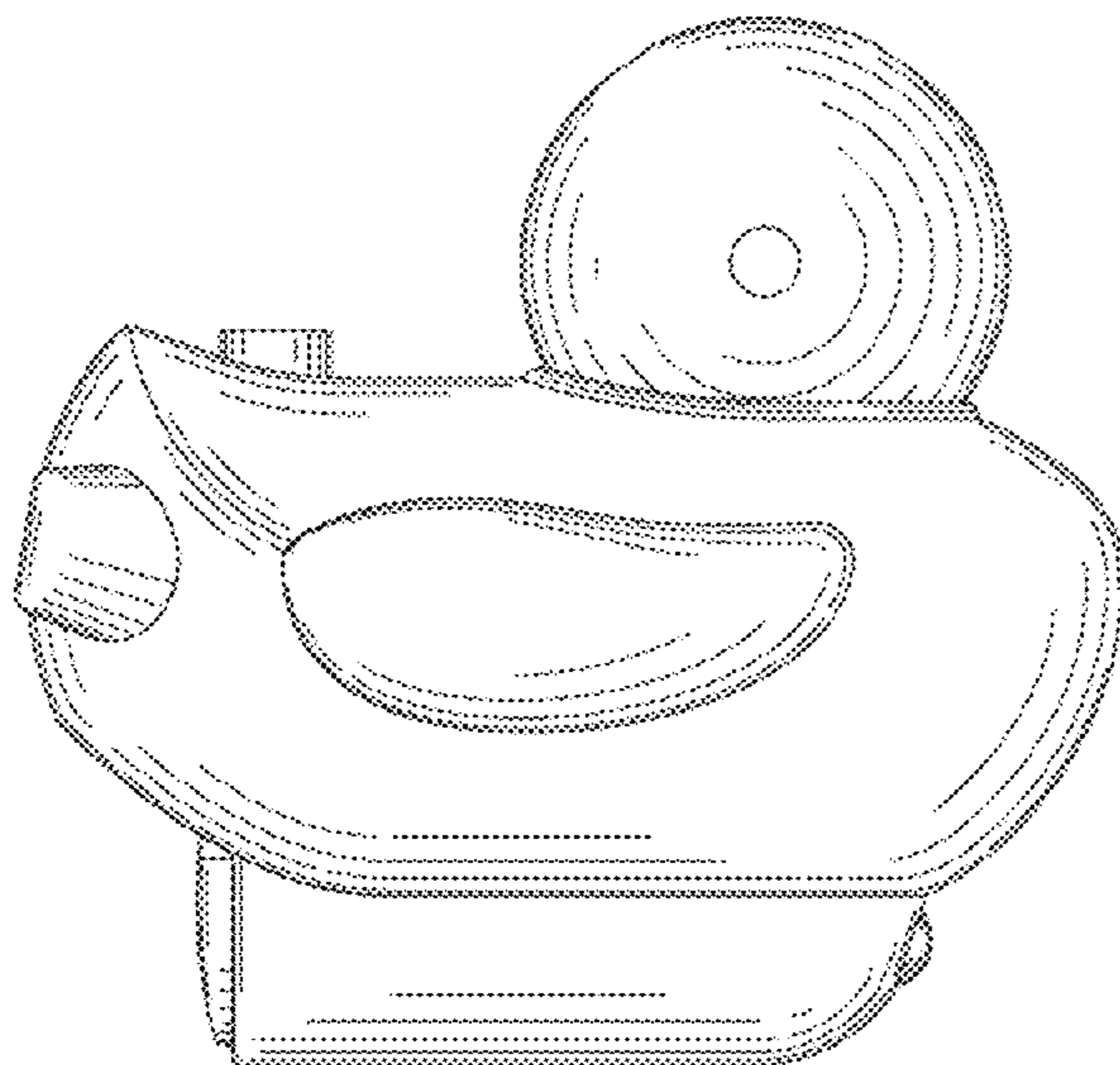
FIG. 5 is a back view thereof;

FIG. 6 is a top view thereof; and,

FIG. 7 is a bottom view thereof.

The broken lines are included for the purpose of illustrating a portion that forms no part of the claimed design.

**1 Claim, 7 Drawing Sheets**



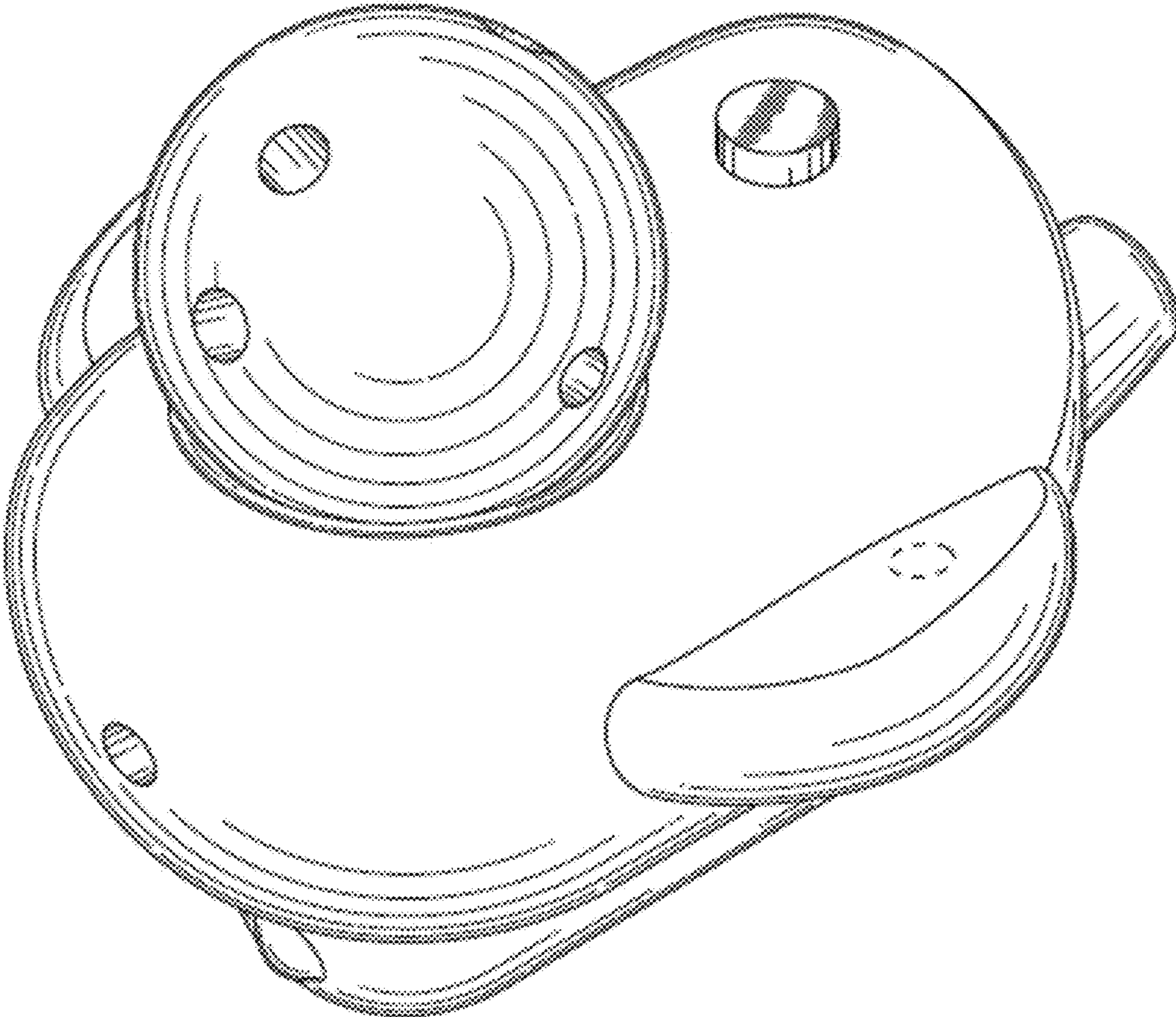


FIG 1

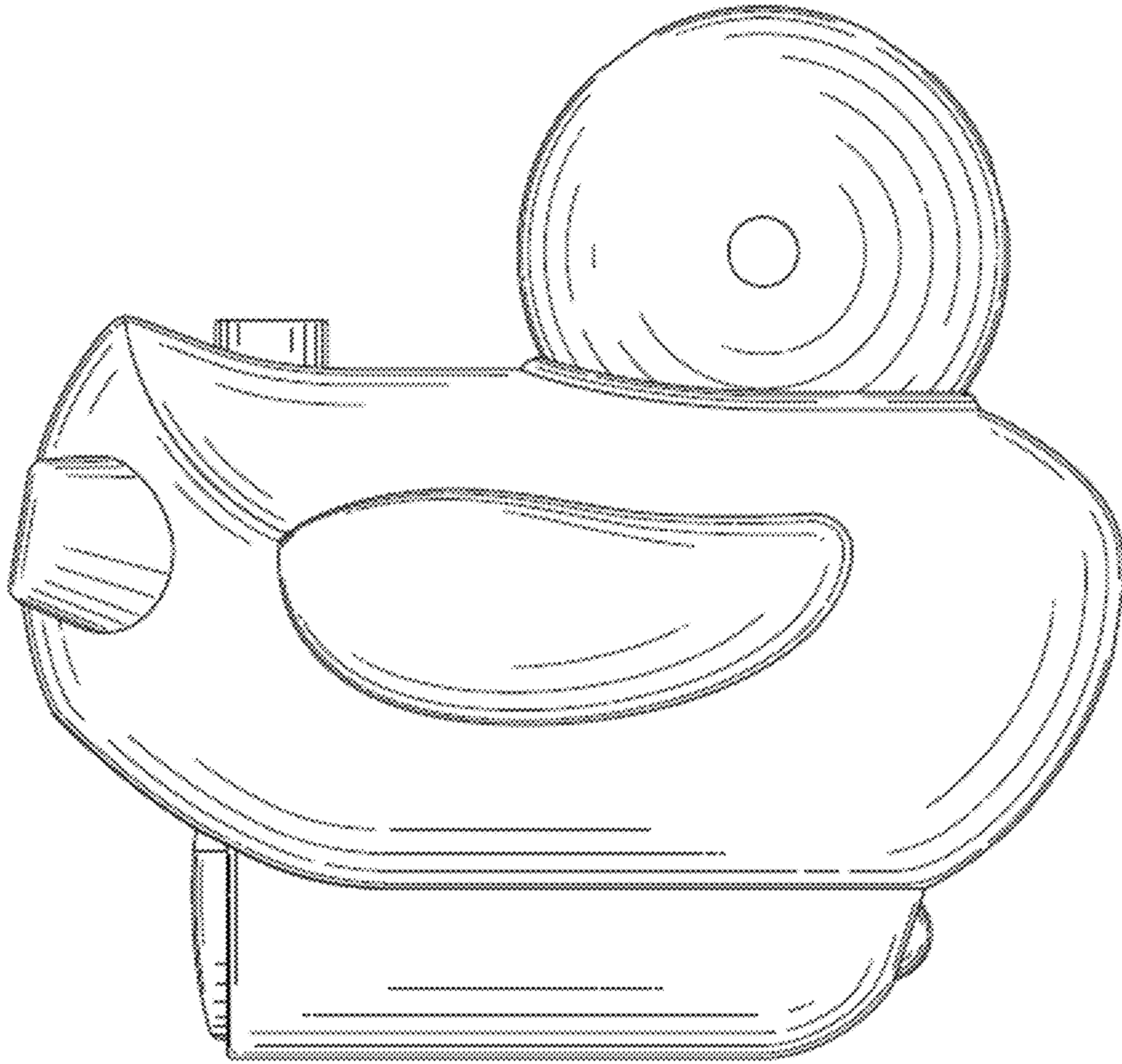


FIG 2

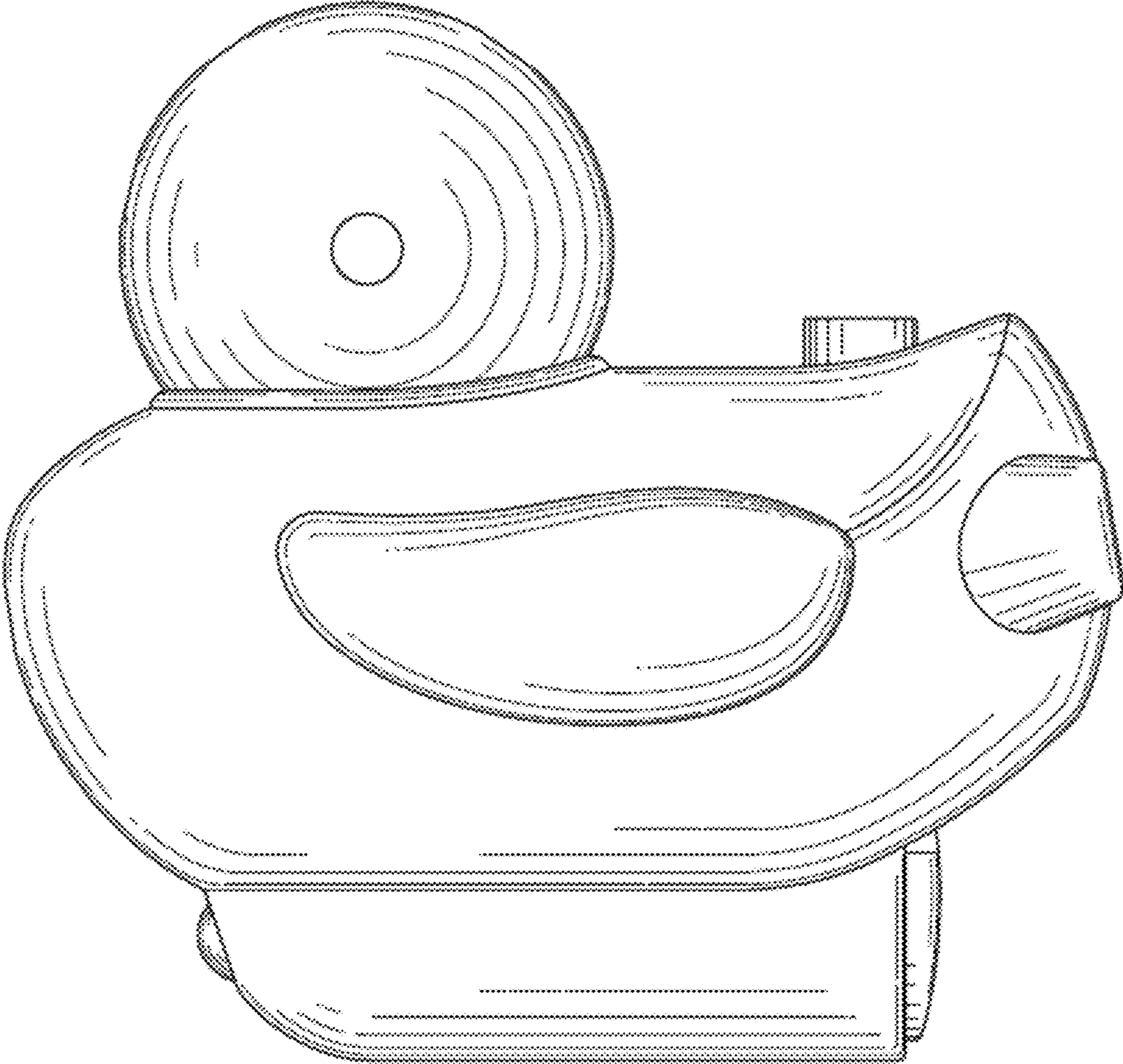


FIG 3

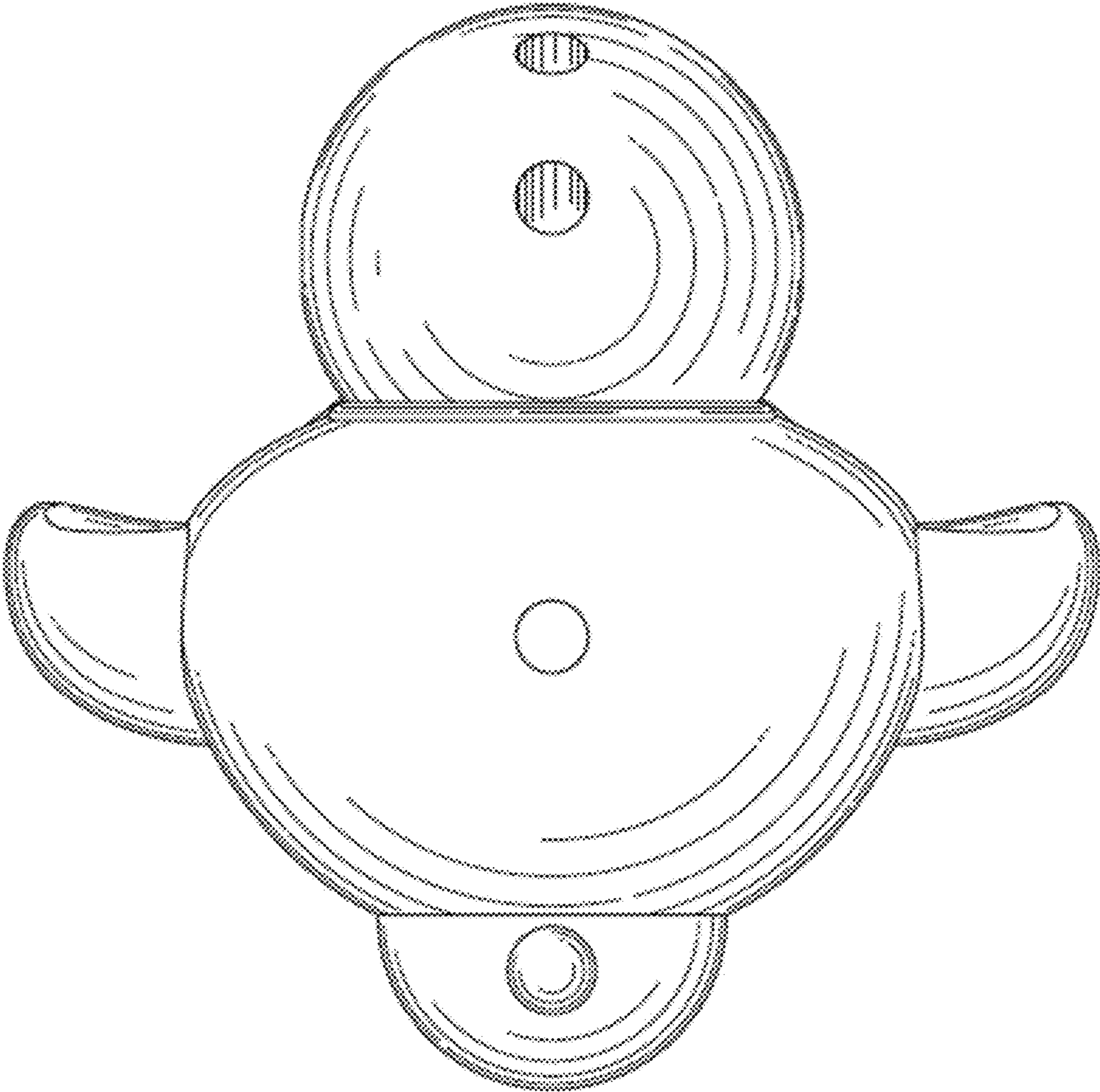


FIG 4

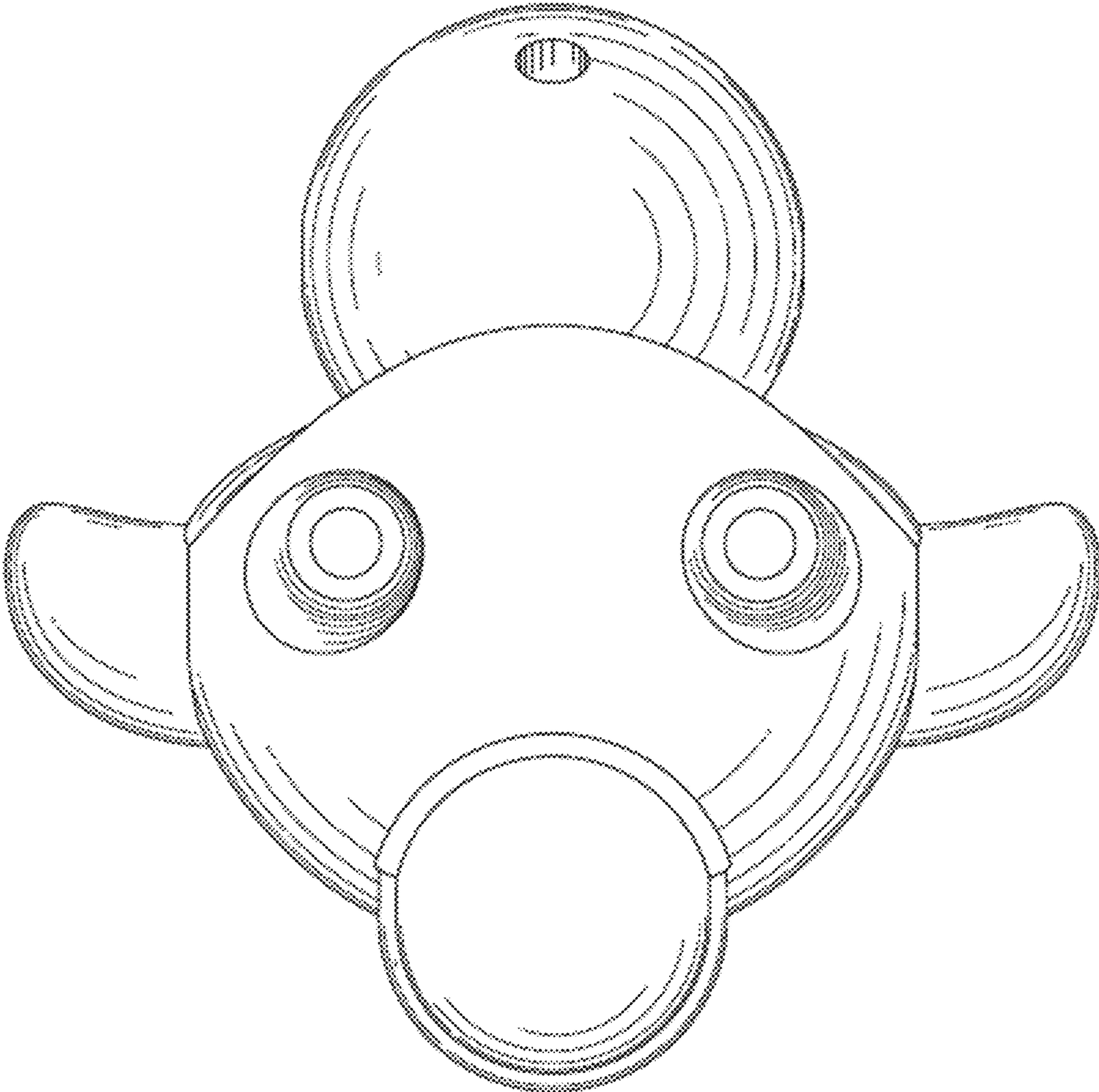


FIG 5

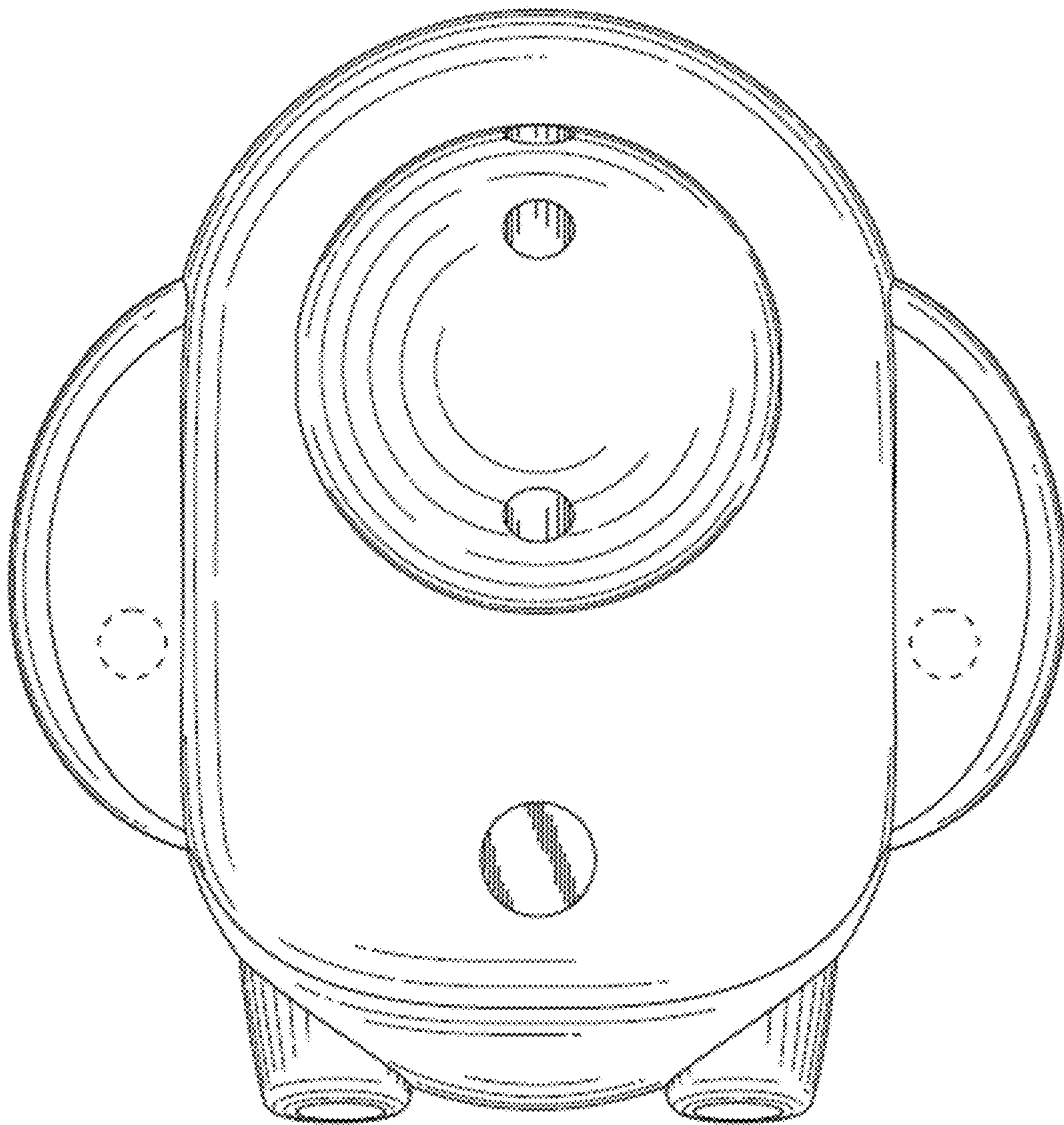


FIG 6

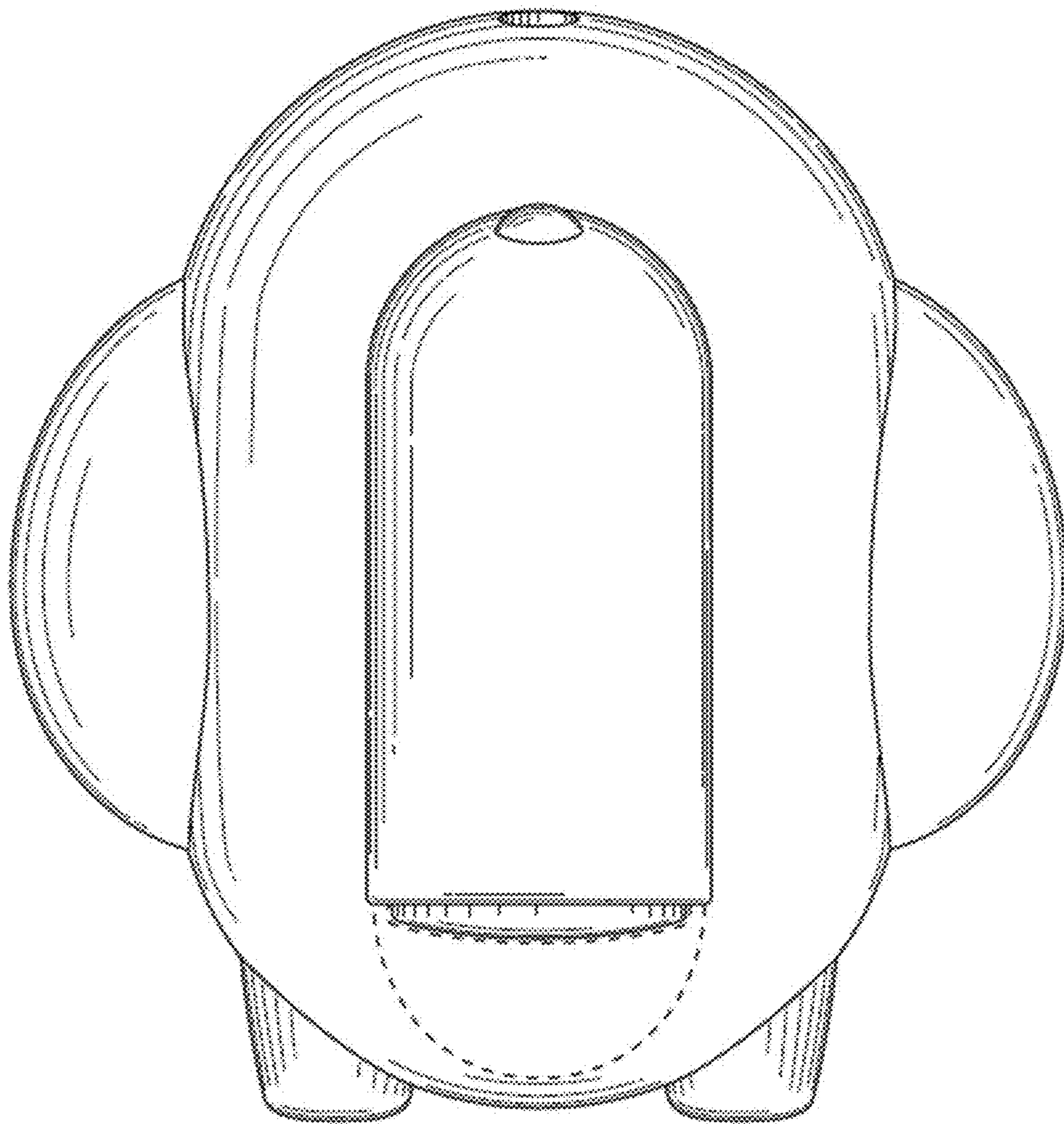


FIG 7