

US00D864312S

(12) **United States Design Patent**  
**Kim et al.**

(10) **Patent No.:** **US D864,312 S**  
(45) **Date of Patent:** **\*\* Oct. 22, 2019**

(54) **CONTROLLER**

(71) Applicant: **SZ DJI Technology Co., Ltd.**,  
Shenzhen (CN)

(72) Inventors: **Min Kim**, Shenzhen (CN); **Haibin Zheng**, Shenzhen (CN)

(73) Assignee: **SZ DJI Technology Co., Ltd.**,  
Shenzhen (CN)

(\*\*) Term: **15 Years**

(21) Appl. No.: **29/658,945**

(22) Filed: **Aug. 3, 2018**

**Related U.S. Application Data**

(63) Continuation of application No. 29/564,618, filed on May 13, 2016, now Pat. No. Des. 839,968.

(51) **LOC (12) Cl.** ..... **21-01**

(52) **U.S. Cl.**  
USPC ..... **D21/566; D21/333; D14/401**

(58) **Field of Classification Search**

USPC ..... D14/218, 349, 401, 480.5; D13/168, D13/173, 162, 162.1, 166, 171, 174; D21/133, 566, 333  
CPC .... H03J 1/0025; H03J 9/00; H03J 9/02; H03J 9/04; H03J 9/06; H04B 1/202; G05B 11/01; A63H 17/262; A63H 30/04; A63H 29/00; A63F 13/06

See application file for complete search history.

(56) **References Cited**

**U.S. PATENT DOCUMENTS**

D381,961 S 8/1997 Watanabe et al.  
D435,552 S 12/2000 Dougan et al.  
D478,590 S 8/2003 Hussaini et al.  
D494,156 S \* 8/2004 Chen ..... D14/240  
D504,430 S 4/2005 Takahashi et al.

D519,118 S \* 4/2006 Woodward ..... D14/401  
D543,952 S 6/2007 Wu et al.  
D546,904 S 7/2007 Bowen et al.  
D582,308 S 12/2008 Kajita  
D605,237 S 12/2009 Uemura et al.  
D631,922 S 2/2011 Kang  
D703,764 S 4/2014 Griffith  
D707,758 S 6/2014 Norman et al.  
D711,878 S 8/2014 Bellinghausen et al.  
D712,982 S 9/2014 Barajas et al.

(Continued)

**FOREIGN PATENT DOCUMENTS**

CN 300936145D 6/2009  
CN 301012935D 9/2009

(Continued)

*Primary Examiner* — Cynthia M. Chin

(74) *Attorney, Agent, or Firm* — Sterne, Kessler, Goldstein & Fox P.L.L.C.

(57) **CLAIM**

The ornamental design for a controller, as shown and described.

**DESCRIPTION**

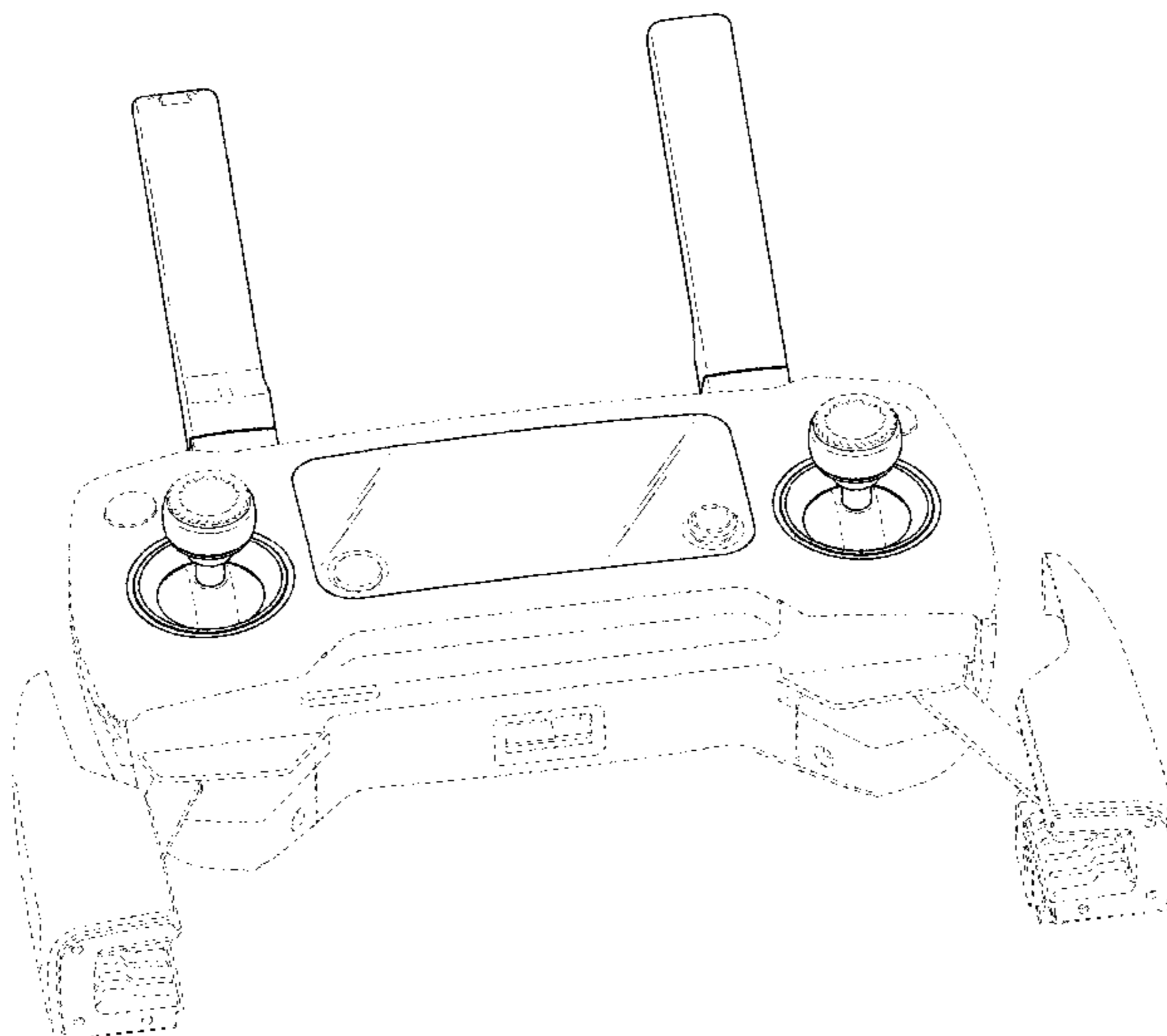
FIG. 1 is a bottom front perspective view of a controller showing the claimed design;  
FIG. 2 is a front view thereof;  
FIG. 3 is a rear view thereof;  
FIG. 4 is a right side view thereof;  
FIG. 5 is a left side view thereof;  
FIG. 6 is a top view thereof; and,  
FIG. 7 is a bottom view thereof.

The broken lines in the figures show portions of the controller that form no part of the claimed design.

The oblique shade lines in the figures show transparency or translucency.

The dot-dash broken lines in the figures show boundaries that form no part of the claimed design.

**1 Claim, 5 Drawing Sheets**



(56)

**References Cited**

U.S. PATENT DOCUMENTS

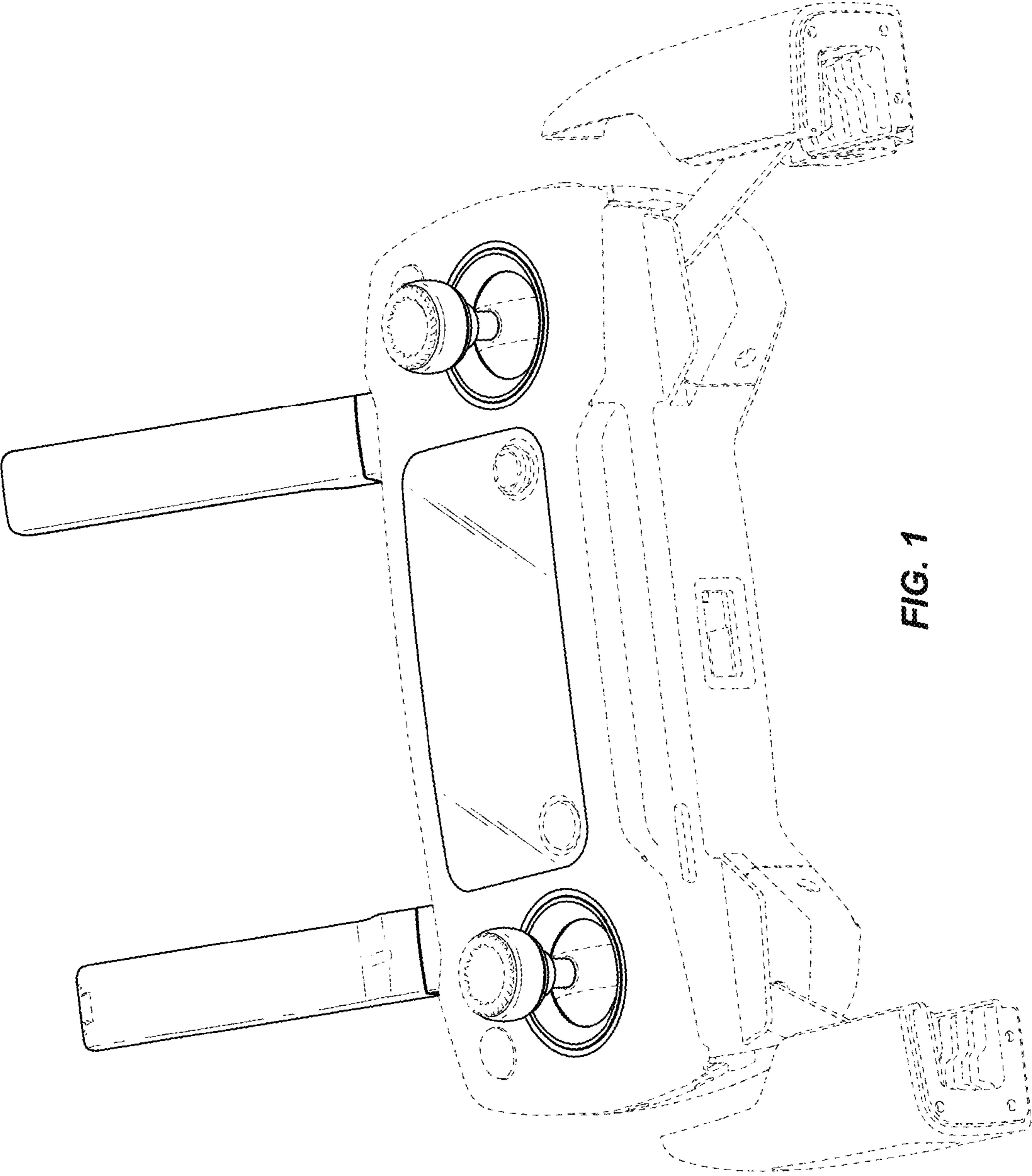
D713,467 S 9/2014 Sawhney et al.  
 D713,468 S 9/2014 Sawhney et al.  
 D723,032 S 2/2015 Schoenith et al.  
 D723,705 S 3/2015 Mininger et al.  
 D735,721 S 8/2015 Mar  
 D737,273 S 8/2015 Schoenith et al.  
 D740,708 S \* 10/2015 Pecorari ..... D21/566  
 D744,596 S 12/2015 Young et al.  
 D749,527 S 2/2016 Li  
 D774,933 S \* 12/2016 Pecorari ..... D10/104.1  
 D778,265 S \* 2/2017 Parfitt ..... D14/218  
 D781,208 S \* 3/2017 Li ..... D12/345  
 D782,581 S 3/2017 Barajas et al.  
 D783,097 S \* 4/2017 Sanlaville ..... D21/556  
 D784,989 S 4/2017 Kujawski et al.  
 D794,717 S \* 8/2017 Kujawski ..... D14/401  
 D799,599 S 10/2017 Kujawski et al.

D803,837 S \* 11/2017 Kumar ..... D14/401  
 D823,945 S \* 7/2018 Falc ..... D21/333  
 D828,463 S \* 9/2018 Xiao ..... D21/566

FOREIGN PATENT DOCUMENTS

CN 301996446 S 7/2012  
 CN 302063804 S 9/2012  
 CN 302190300 S 11/2012  
 CN 302497878 S 7/2013  
 CN 302560845 S 9/2013  
 CN 302641200 S 11/2013  
 CN 302993345 S 11/2014  
 CN 303000243 S 11/2014  
 CN 303082699 S 1/2015  
 CN 303329717 S 8/2015  
 CN 303348016 S 8/2015  
 CN 303532139 S 12/2015  
 CN 303542402 S 1/2016  
 CN 303655383 S 4/2016

\* cited by examiner



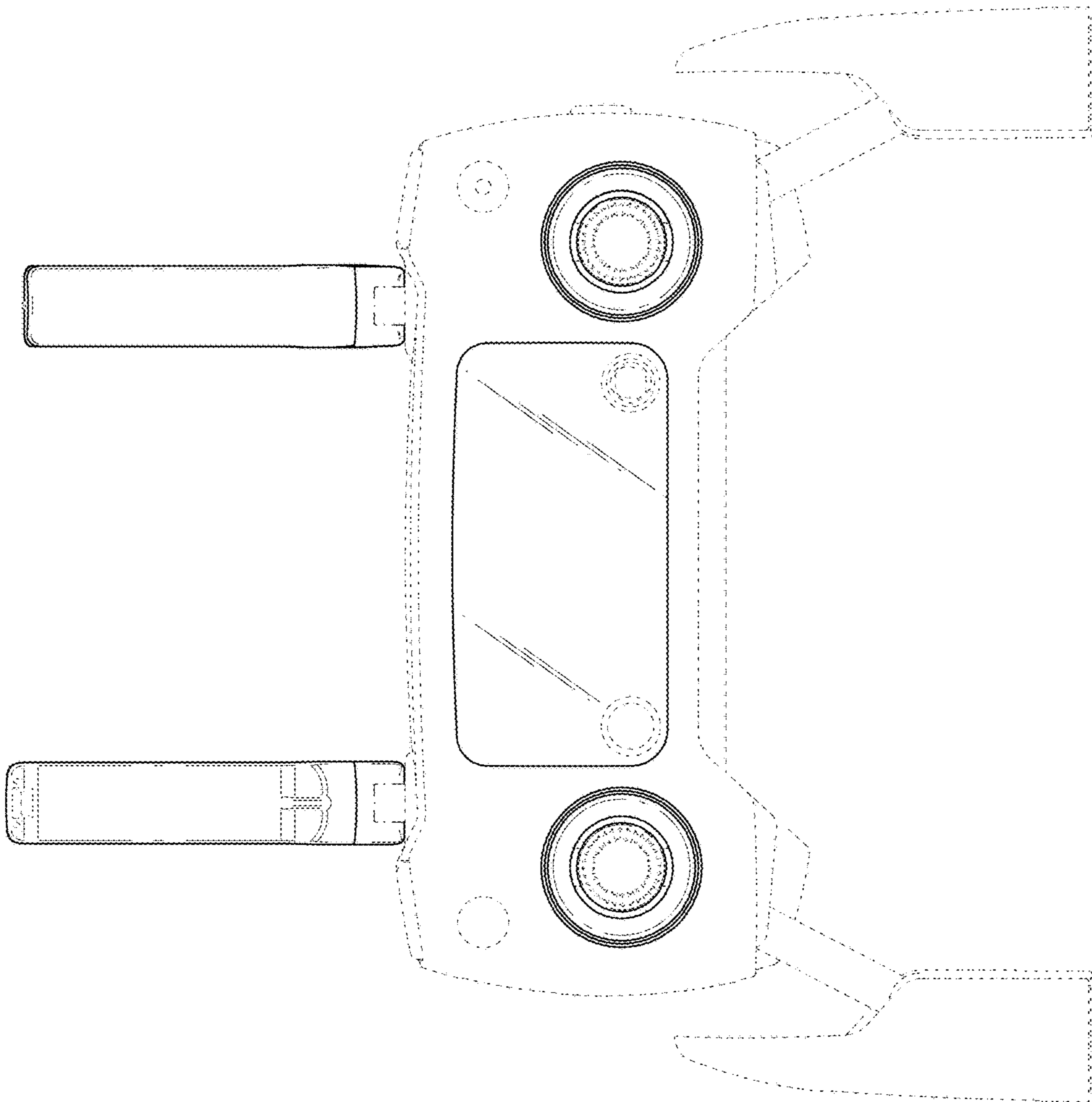


FIG. 2

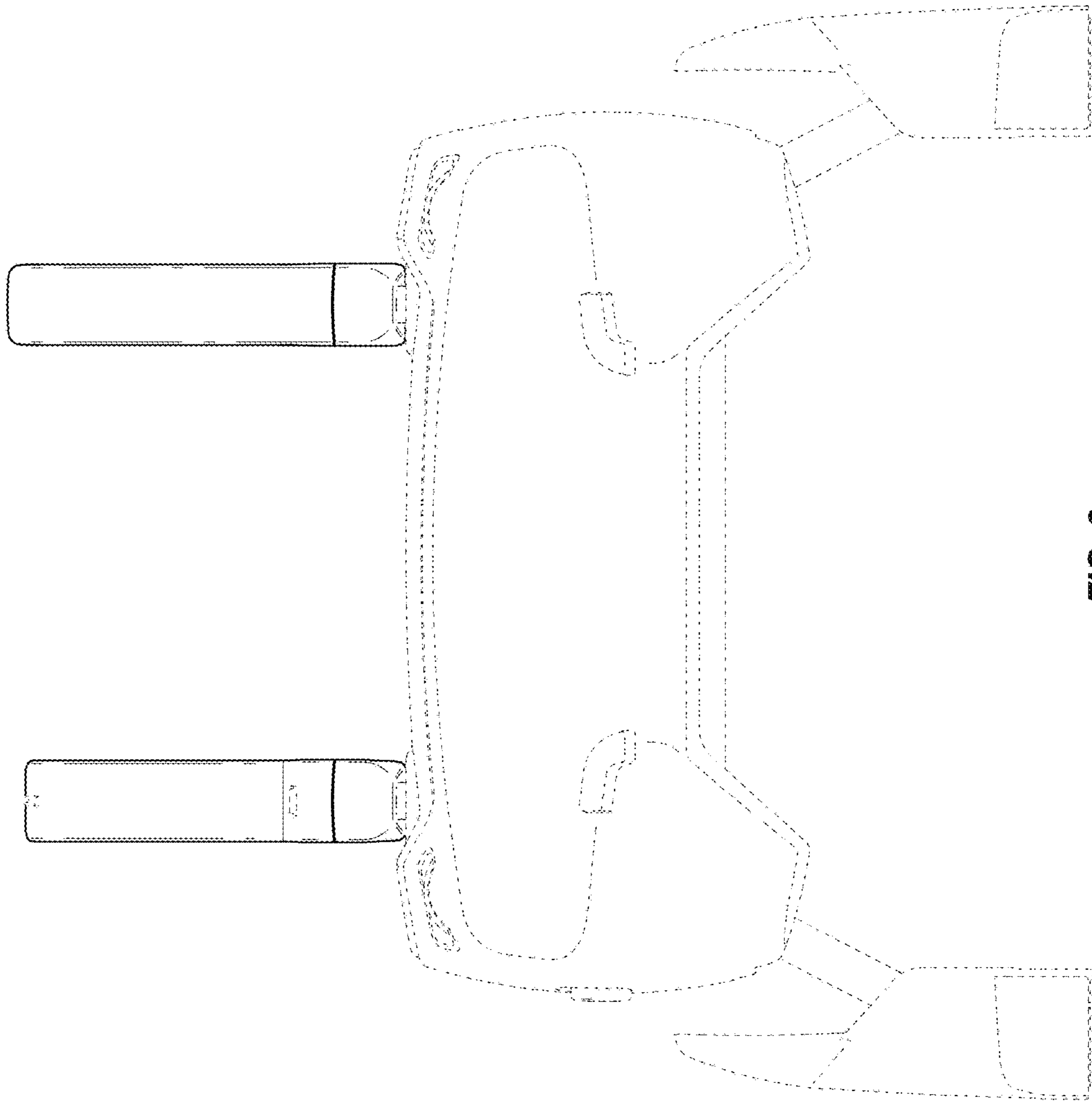


FIG. 3

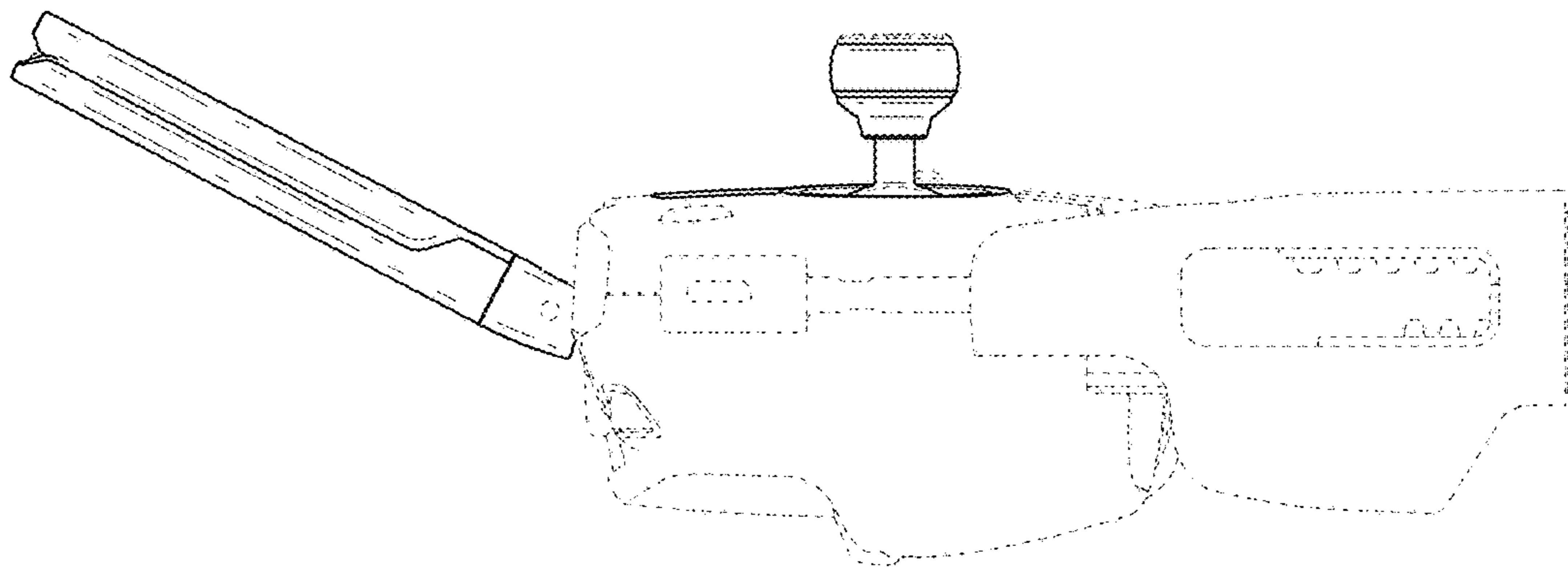


FIG. 5

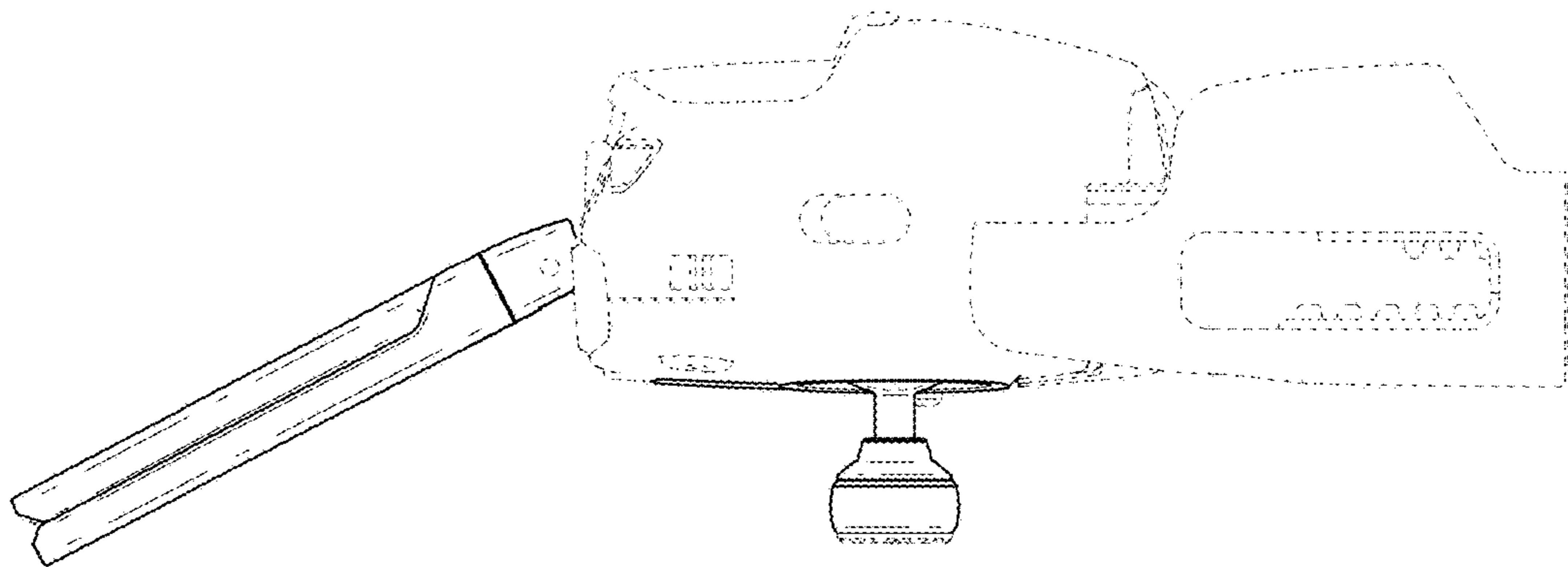


FIG. 4

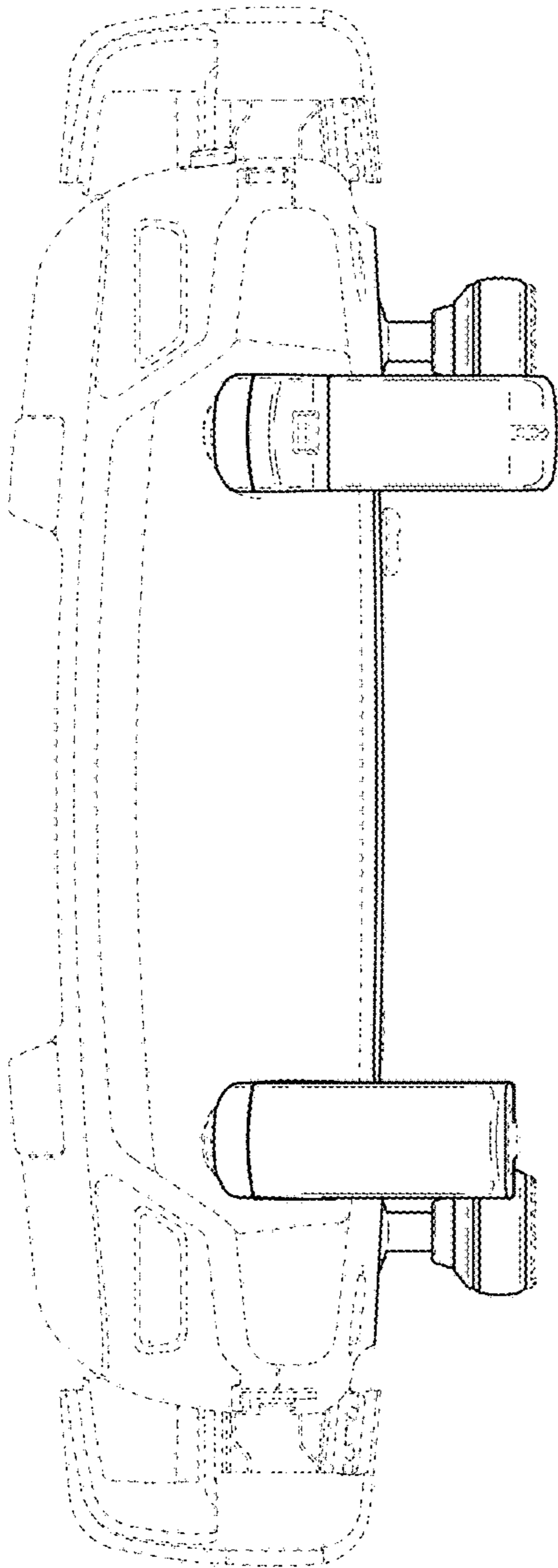


FIG. 6

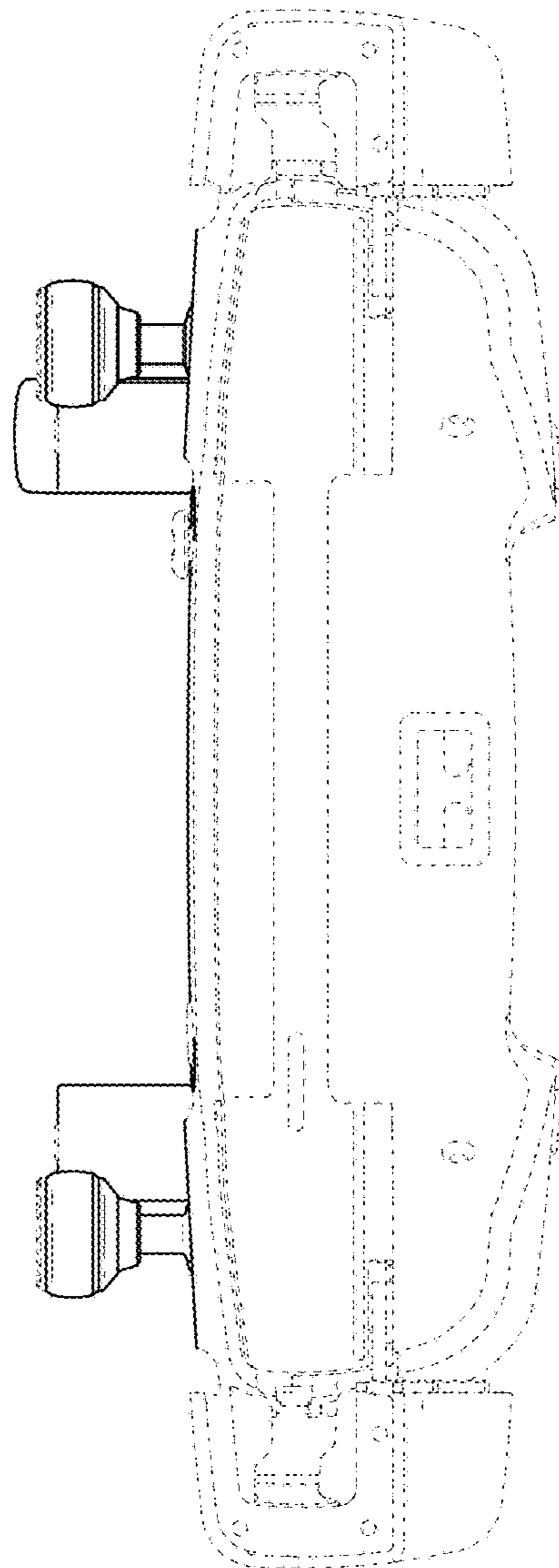


FIG. 7