



US00D864311S

(12) **United States Design Patent** (10) **Patent No.:** **US D864,311 S**
Ewing et al. (45) **Date of Patent:** **** Oct. 22, 2019**

(54) **VEHICLE PLATFORM FOR A MODEL VEHICLE**

(71) Applicant: **TRAXXAS LP**, McKinney, TX (US)

(72) Inventors: **Adam Cole Ewing**, McKinney, TX (US); **Jory Sprowl**, Wolfe City, TX (US); **Kent Poteet**, Lucas, TX (US); **Terry Soward**, Van Alstyne, TX (US); **Otto Karl Allmendinger**, Rowlett, TX (US)

(73) Assignee: **TRAXXAS LP**, McKinney, TX (US)

(**) Term: **15 Years**

(21) Appl. No.: **29/634,228**

(22) Filed: **Jan. 19, 2018**

(51) **LOC (12) Cl.** **21-01**

(52) **U.S. Cl.**
USPC **D21/562**; D12/159; D12/222

(58) **Field of Classification Search**
USPC D12/14, 86, 87, 93, 159, 222; D21/495, D21/548, 549, 550, 552, 559, 561, 562
CPC A63H 17/26; A63H 17/262; A63H 17/264; A63H 17/266; A63H 17/36; A63H 17/38; A63H 29/00; A63H 29/22; A63H 29/24; A63H 30/04; B62D 21/00; B62D 21/02; B62D 21/03; B62D 21/10; B62D 21/183; B62D 39/00; B60K 7/0007; B60Q 1/0483
See application file for complete search history.

(56) **References Cited**

U.S. PATENT DOCUMENTS

- 3,829,117 A * 8/1974 Park B62D 21/183 180/291
- D309,930 S 8/1990 Asaeda
- D317,336 S 6/1991 Tsuchiya
- D332,978 S * 2/1993 Tsuchiya D21/562
- D332,979 S 2/1993 Tsuchiya

- D348,911 S * 7/1994 Herrick D21/424
- 5,338,247 A 8/1994 Miles
- D411,263 S * 6/1999 Korsholm D21/495
- D493,848 S * 8/2004 Dunst D21/562
- D503,658 S * 4/2005 Lu D12/87
- D513,223 S * 12/2005 Saito D12/14
- D521,899 S * 5/2006 Walden D12/86
- D523,775 S * 6/2006 Walden D12/86

(Continued)

OTHER PUBLICATIONS

Axial SCX10 II 2000 Jeep Cherokee 1/10th Scale Electric 4WD—RTR; <http://www.axialracing.com/products/ax90047>; Aug. 2016.

(Continued)

Primary Examiner — Robin V Webster

Assistant Examiner — Keith J Wilson

(74) *Attorney, Agent, or Firm* — Daryl R. Wright; Greg Carr

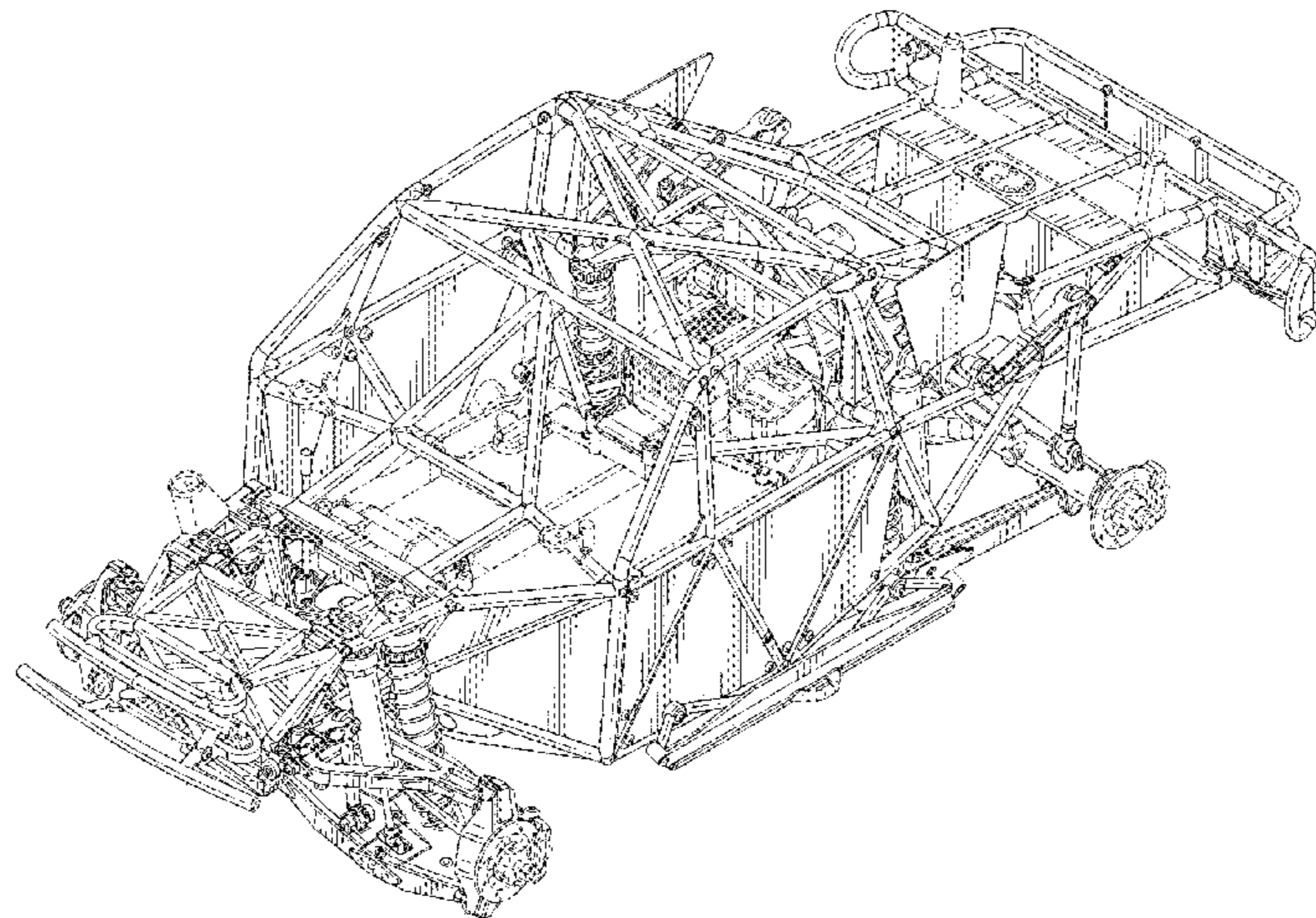
(57) **CLAIM**

We claim the ornamental design for a vehicle platform for a model vehicle, as shown and described.

DESCRIPTION

FIG. 1 is an upper, left, front perspective view of a vehicle platform for a model vehicle;
 FIG. 2 is front elevation view thereof;
 FIG. 3 is a rear elevation view thereof;
 FIG. 4 is a left side elevation view thereof;
 FIG. 5 is a right side elevation view thereof;
 FIG. 6 is a top plan view thereof;
 FIG. 7 is a bottom plan view thereof;
 FIG. 8 is an upper, right, rear perspective view; and,
 FIG. 9 is a lower, right, rear perspective view.
 In the drawings, the broken line showing of features of the vehicle platform for a model vehicle illustrate portions of the vehicle platform for a model vehicle that form no part of the claimed design.

1 Claim, 9 Drawing Sheets



(56)

References Cited

U.S. PATENT DOCUMENTS

D523,776 S * 6/2006 Walden D12/86
 D534,593 S 1/2007 Yuen
 D538,861 S 3/2007 Takahashi
 D545,721 S 7/2007 Hacker et al.
 D549,787 S 8/2007 Chen
 D550,311 S 9/2007 Chen
 7,281,600 B2 10/2007 Chernoff et al.
 D556,648 S * 12/2007 Nelson D12/159
 D564,410 S * 3/2008 Lepage D12/87
 D567,886 S * 4/2008 Lampert D21/562
 D570,735 S 6/2008 Ogihara
 D577,083 S 9/2008 Nakayama
 D586,695 S * 2/2009 Burns D12/87
 D586,696 S * 2/2009 Burns D12/87
 D593,616 S * 6/2009 Asai D21/562
 D597,151 S 7/2009 Ishikawa
 D639,207 S * 6/2011 Danisi D12/82
 D642,090 S * 7/2011 Karacabey D12/82
 D642,091 S * 7/2011 Karacabey D12/82
 D642,960 S * 8/2011 Berrier D12/82
 D647,002 S * 10/2011 Mullen D12/86
 D651,133 S * 12/2011 Liebl D12/86
 D655,236 S * 3/2012 Sanschagrín D12/222
 D655,668 S * 3/2012 Levorato D12/222
 D681,542 S * 5/2013 Oliver D12/222
 D691,523 S * 10/2013 Waugh D12/159

D758,281 S * 6/2016 Galloway D12/222
 D761,713 S * 7/2016 Hensley D12/222
 D766,157 S * 9/2016 Reynolds D12/222
 D778,784 S * 2/2017 Hirooka D12/14
 D781,207 S * 3/2017 Johnson D12/222
 D783,502 S * 4/2017 Hensley D12/222
 D783,503 S * 4/2017 Hensley D12/222
 D783,726 S * 4/2017 Williams D12/87
 D802,685 S 11/2017 Barajas et al.
 D810,148 S * 2/2018 Loew D15/28
 D816,009 S * 4/2018 Reynolds D12/222
 D820,736 S * 6/2018 Vaarsi D12/159
 D822,126 S * 7/2018 Allmendinger D21/562
 D826,831 S * 8/2018 Eck D12/222
 D829,831 S * 10/2018 Redlin D21/562
 D836,501 S * 12/2018 Mori D12/159

OTHER PUBLICATIONS

Axial SCX10 Deadbolt 1/10th Scale Electric 4WD—RTR; <http://www.axialracing.com/products/ax90044>; Aug. 2016.
 Tibus Off-Road Engineering; Land Rover Defender; <http://www.tibus-offroad.com/en/products/bolt-on-portals/land-rover/>; Aug. 2016.
 HPI Racing; HPI Venture FJ Cruiser; <http://www.hpiracing.com/en/article/view/2016012702>; Aug. 2016.
 Traxxas; Slash 4x4 Overview; Oct. 2009.

* cited by examiner

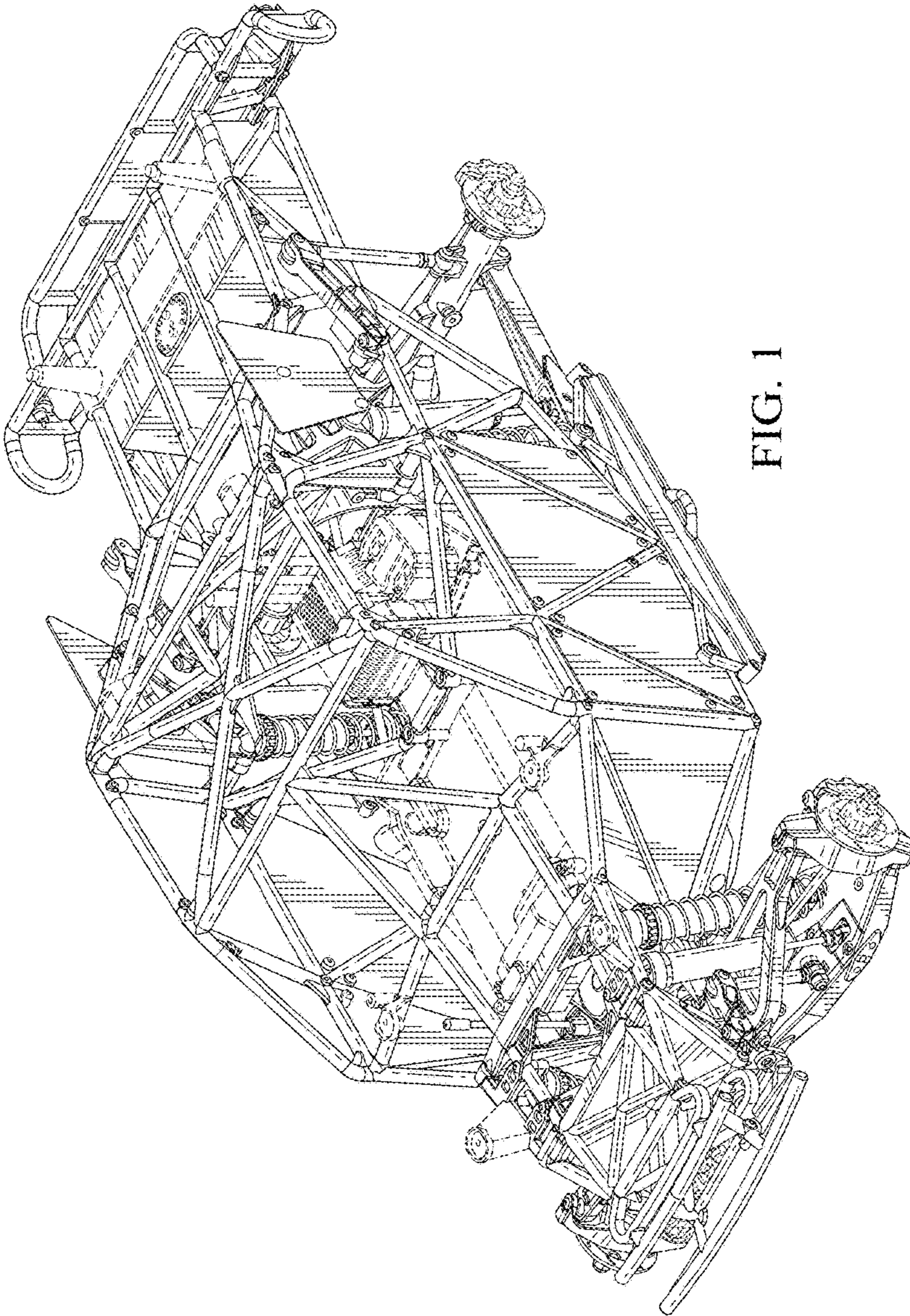


FIG. 1

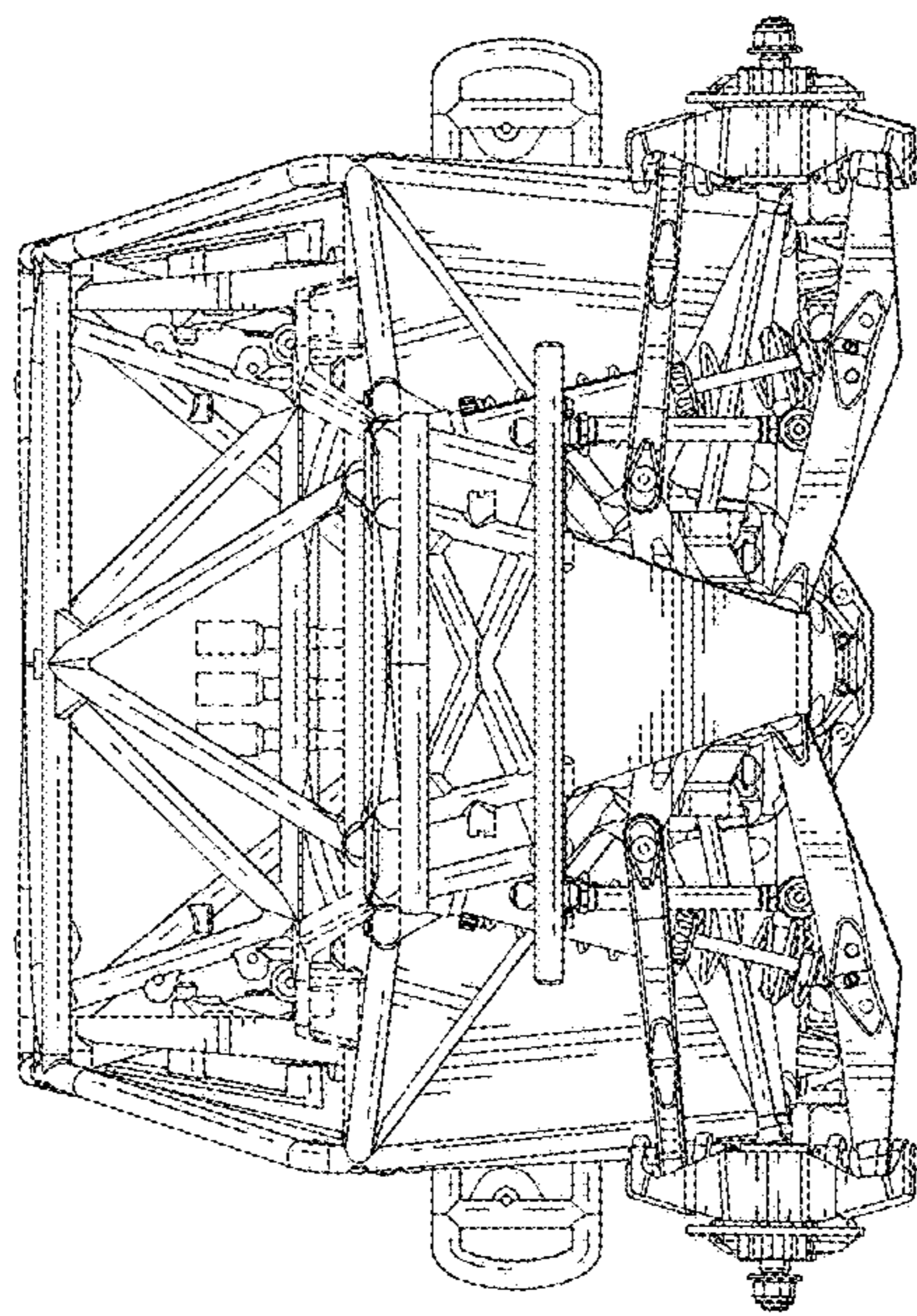


FIG. 2

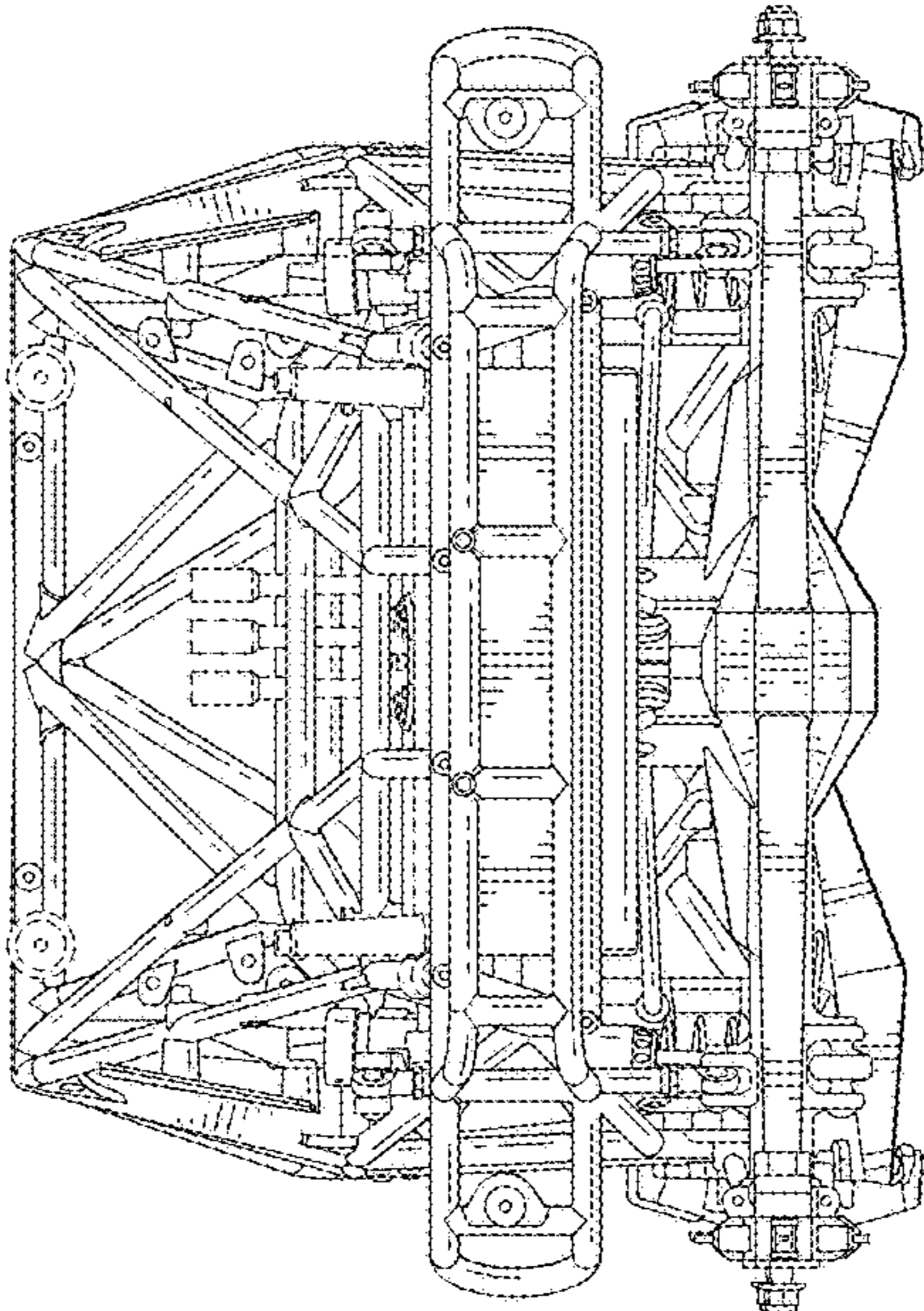


FIG. 3

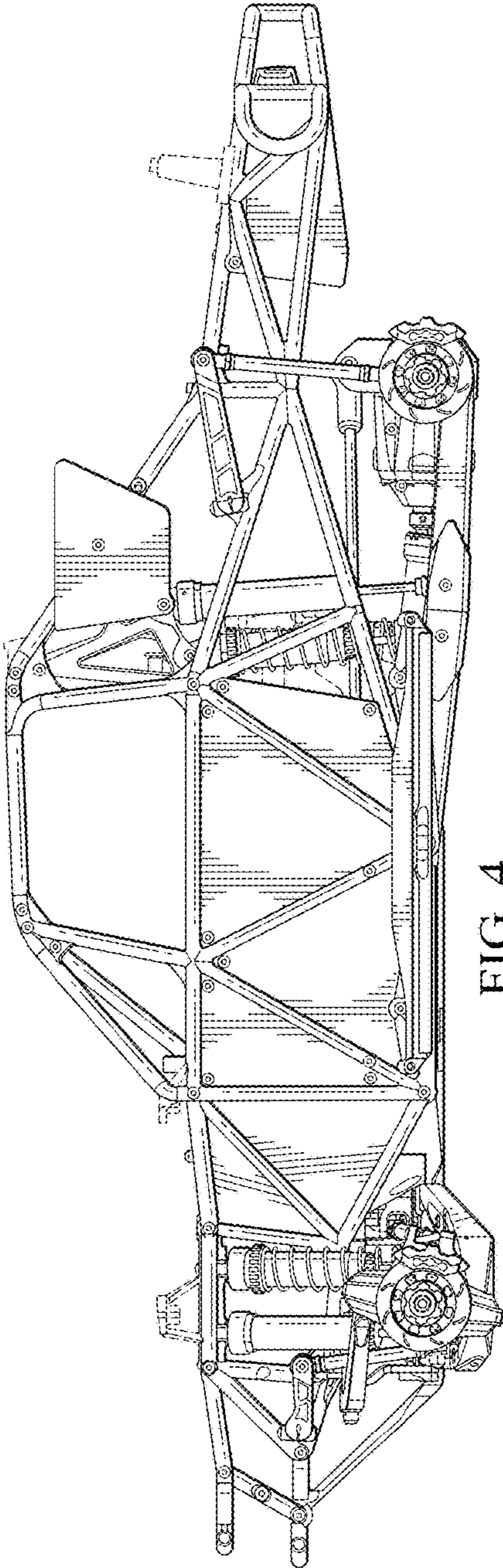


FIG. 4

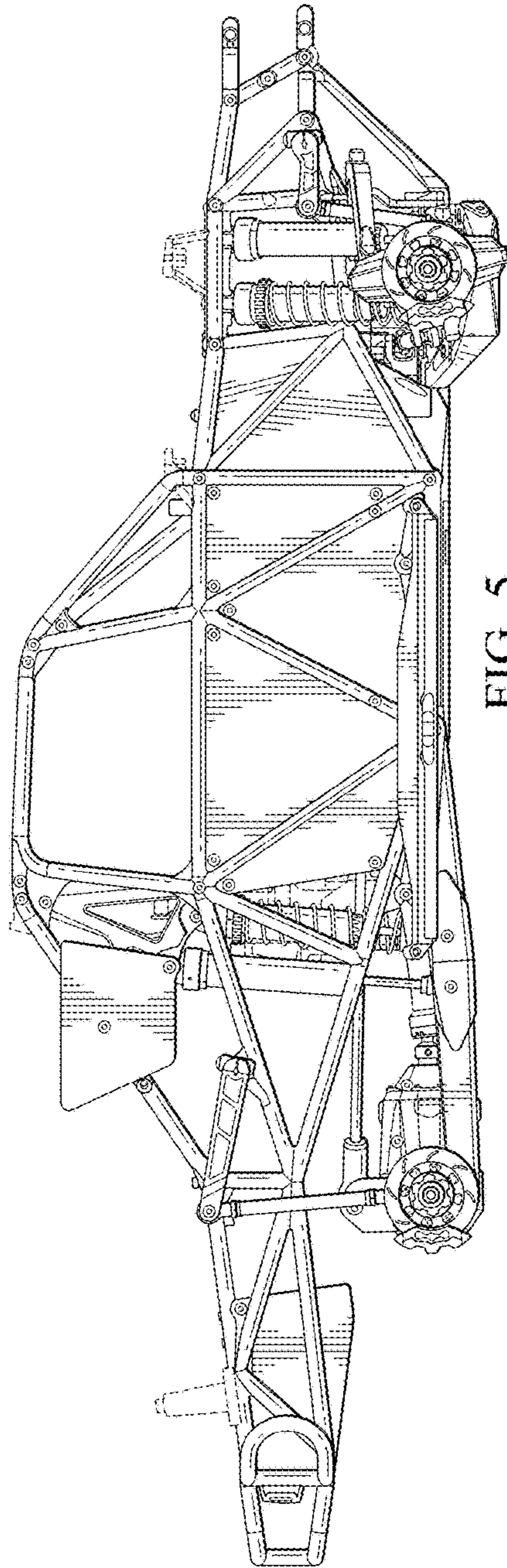


FIG. 5

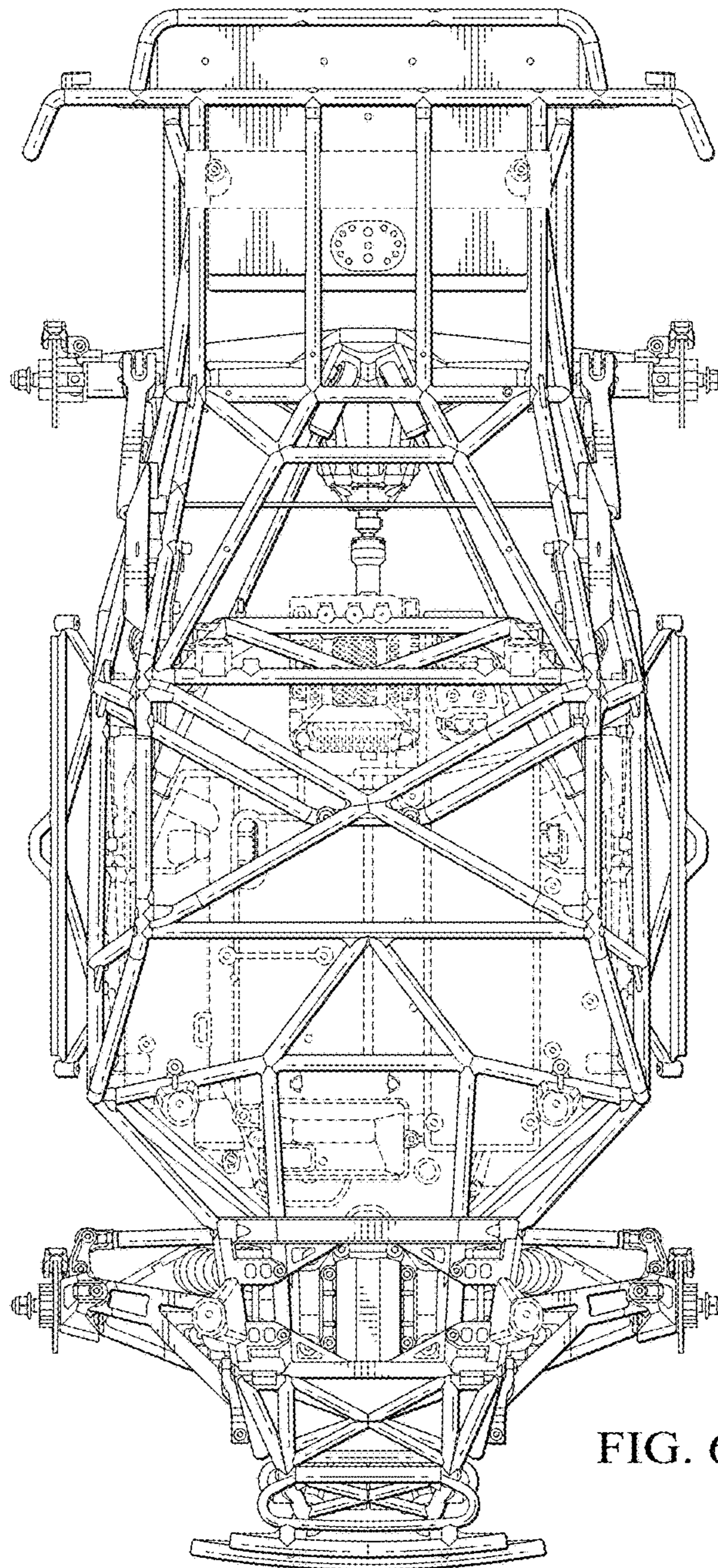


FIG. 6

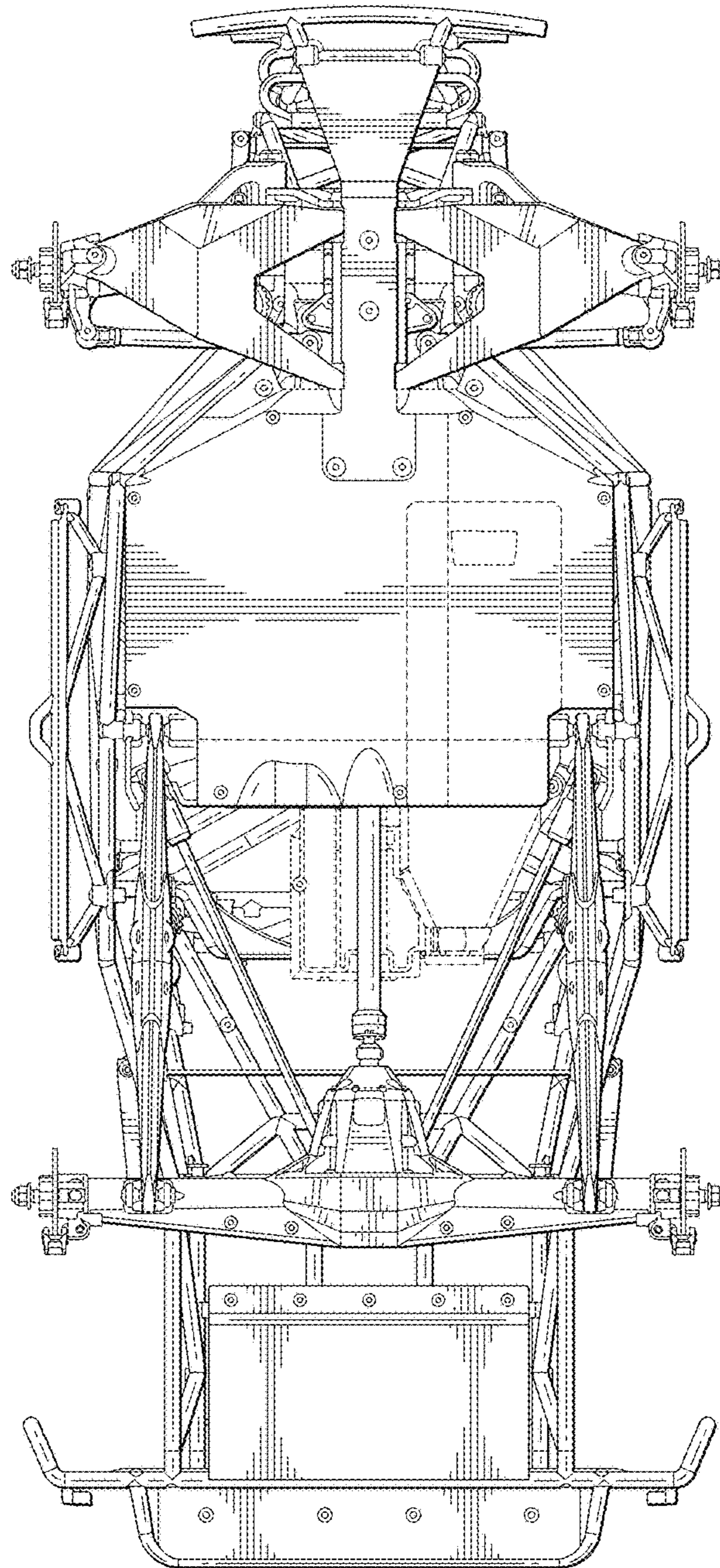


FIG. 7

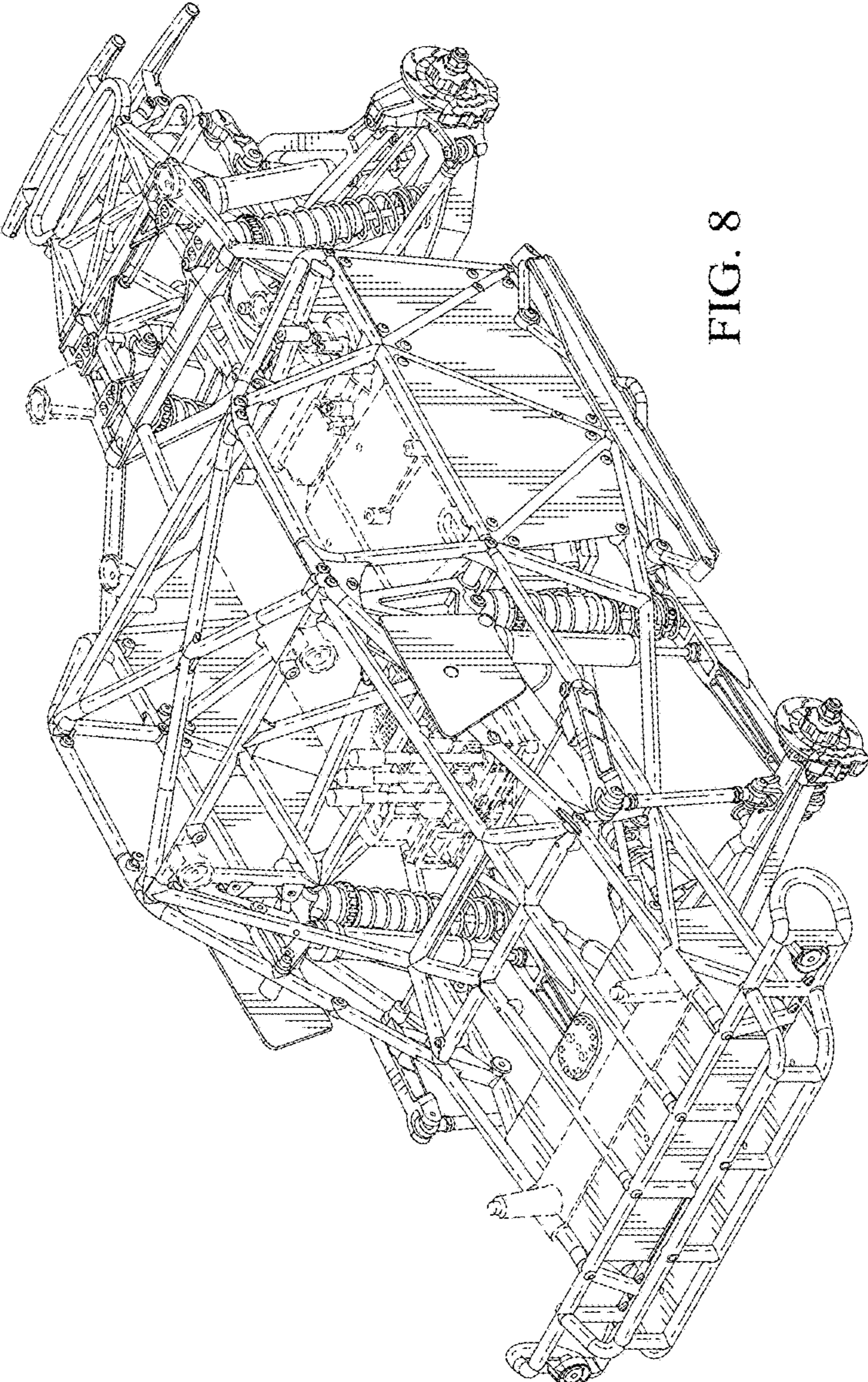


FIG. 8

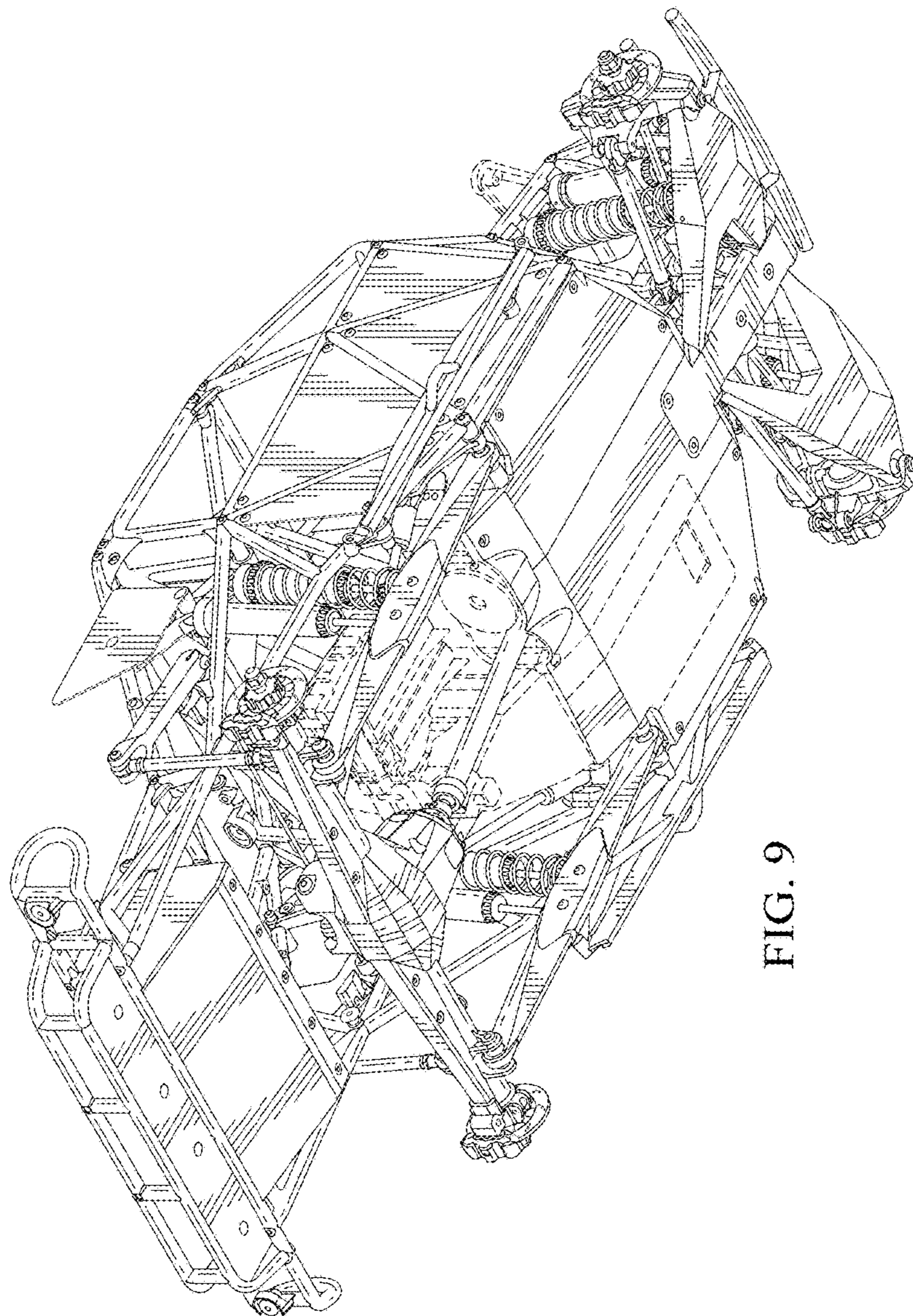


FIG. 9