



US00D864310S

(12) **United States Design Patent**
Jens Christensen et al.

(10) **Patent No.:** **US D864,310 S**
(45) **Date of Patent:** **** Oct. 22, 2019**

(54) **ROOF FEATURE ASSEMBLY FOR A MODEL VEHICLE**

(71) Applicant: **TRAXXAS LP**, McKinney, TX (US)

(72) Inventors: **Casey Christen Jens Christensen**,
McKinney, TX (US); **Jory Sprowl**,
Wolfe City, TX (US); **Otto Karl**
Allmendinger, Rowlett, TX (US)

(73) Assignee: **TRAXXAS LP**, McKinney, TX (US)

(**) Term: **15 Years**

(21) Appl. No.: **29/633,641**

(22) Filed: **Jan. 15, 2018**

(51) **LOC (12) Cl.** **21-01**

(52) **U.S. Cl.**
USPC **D21/562**; D12/159; D12/222

(58) **Field of Classification Search**
USPC D12/14, 86, 87, 93, 159, 222; D21/495,
D21/548, 549, 550, 552, 559, 561, 562
CPC A63H 17/26; A63H 17/262; A63H 17/264;
A63H 17/266; A63H 17/36; A63H 17/38;
A63H 29/00; A63H 29/22; A63H 29/24;
A63H 30/04; B62D 21/00; B62D 21/02;
B62D 21/03; B62D 21/10; B62D 21/183;
B62D 39/00; B60K 7/0007; B60Q 1/0483
See application file for complete search history.

(56) **References Cited**

U.S. PATENT DOCUMENTS

3,829,117	A *	8/1974	Park	B62D 21/183	180/291
D332,978	S *	2/1993	Tsuchiya	D21/562	
D348,911	S *	7/1994	Herrick	D21/424	
D411,263	S *	6/1999	Korsholm	D21/495	
D493,848	S *	8/2004	Dunst	D21/562	
D503,658	S *	4/2005	Lu	D12/87	
D513,223	S *	12/2005	Saito	D12/14	

D521,899	S *	5/2006	Walden	D12/86	
D523,775	S *	6/2006	Walden	D12/86	
D523,776	S *	6/2006	Walden	D12/86	
D556,648	S *	12/2007	Nelson	D12/159	
D564,410	S *	3/2008	Lepage	D12/87	
D567,886	S *	4/2008	Lampert	D21/562	
D586,695	S *	2/2009	Burns	D12/87	
D586,696	S *	2/2009	Burns	D12/87	
D593,616	S *	6/2009	Asai	D21/562	
D639,207	S *	6/2011	Danisi	D12/82	
D642,090	S *	7/2011	Karacabey	D12/82	
D642,091	S *	7/2011	Karacabey	D12/82	
D642,960	S *	8/2011	Berrier	D12/82	
D647,002	S *	10/2011	Mullen	D12/86	

(Continued)

Primary Examiner — Manpreet S Matharu

Assistant Examiner — Keith J Wilson

(74) *Attorney, Agent, or Firm* — Daryl R. Wright; Greg Carr

(57) **CLAIM**

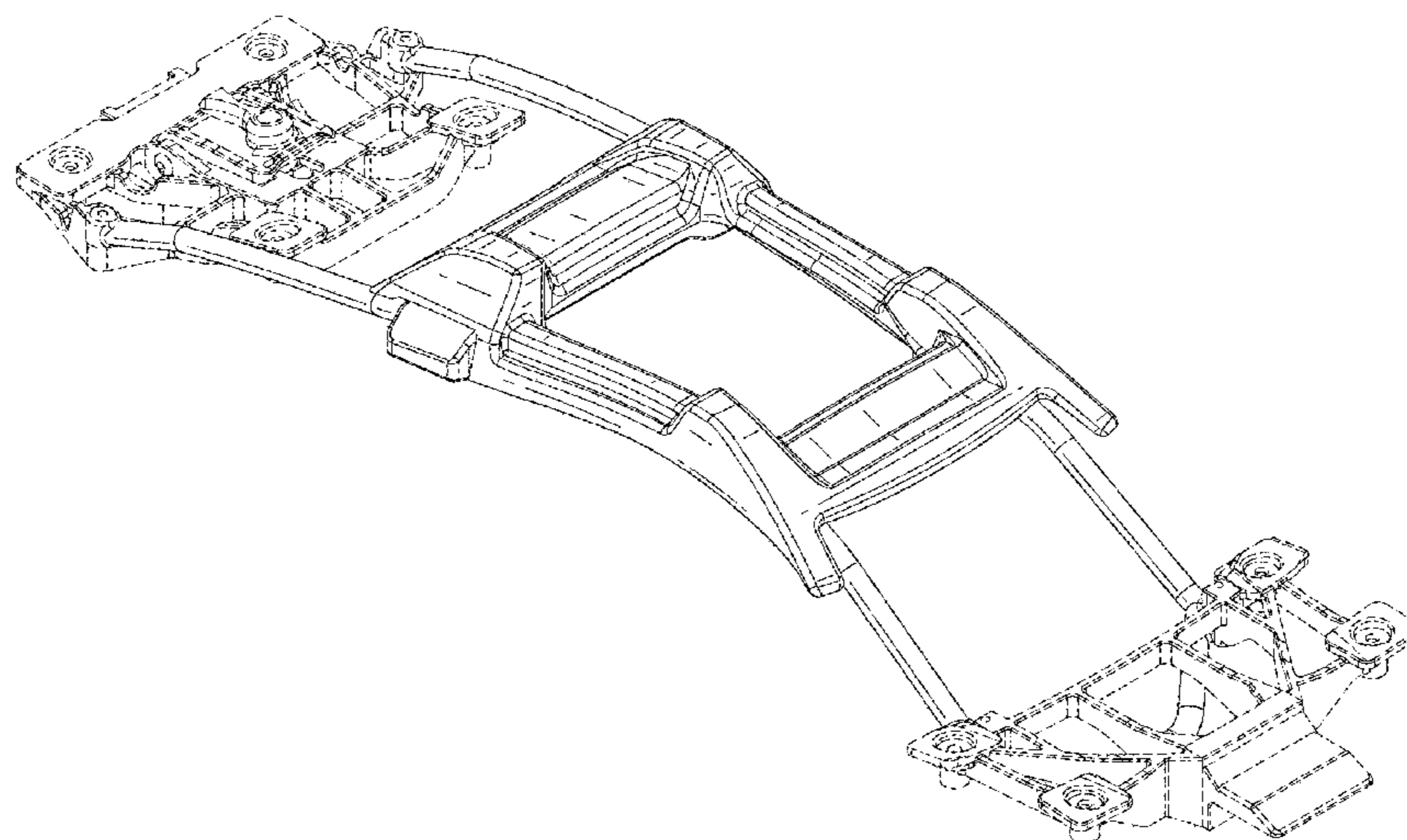
We claim the ornamental design for a roof feature assembly for a model vehicle, as shown and described.

DESCRIPTION

FIG. 1 is an upper, right, front perspective view of a roof feature assembly for a model vehicle;
 FIG. 2 is front elevation view thereof;
 FIG. 3 is a rear elevation view thereof;
 FIG. 4 is a left side elevation view thereof;
 FIG. 5 is a right side elevation view thereof;
 FIG. 6 is a top plan view thereof;
 FIG. 7 is a bottom plan view thereof;
 FIG. 8 is an upper, left, rear perspective view; and,
 FIG. 9 is a lower, right, rear perspective view.

In the drawings, the broken line showing of features of the roof feature assembly for a model vehicle illustrate portions of the roof feature assembly for a model vehicle that form no part of the claimed design.

1 Claim, 7 Drawing Sheets



(56)

References Cited

U.S. PATENT DOCUMENTS

D651,133	S	*	12/2011	Liebl	D12/86
D655,236	S	*	3/2012	Sanschagrin	D12/222
D655,668	S	*	3/2012	Levorato	D12/222
D678,173	S		3/2013	McIntire	
D681,542	S	*	5/2013	Oliver	D12/222
D686,136	S		7/2013	Galley	
D690,256	S		9/2013	Ewringmann	
D691,523	S	*	10/2013	Waugh	D12/159
D728,450	S		5/2015	Yen	
D730,806	S		6/2015	Lim	
D758,281	S	*	6/2016	Galloway	D12/222
D761,713	S	*	7/2016	Hensley	D12/222
D766,157	S	*	9/2016	Reynolds	D12/222
D776,601	S		1/2017	McDonald, II et al.	
D778,784	S	*	2/2017	Hirooka	D12/14
D781,207	S	*	3/2017	Johnson	D12/222
D783,502	S	*	4/2017	Hensley	D12/222
D783,503	S	*	4/2017	Hensley	D12/222
D783,726	S	*	4/2017	Williams	D12/87
D793,328	S		8/2017	Bridges	
D803,141	S		11/2017	Peat	
D810,148	S	*	2/2018	Loew	D15/28
D816,009	S	*	4/2018	Reynolds	D12/222
D820,736	S	*	6/2018	Vaarsi	D12/159
D822,126	S	*	7/2018	Allmendinger	D21/562
D826,831	S	*	8/2018	Eck	D12/222
D829,831	S	*	10/2018	Redlin	D21/562
D833,366	S		11/2018	Dowdey	
D836,501	S	*	12/2018	Mori	D12/159

* cited by examiner

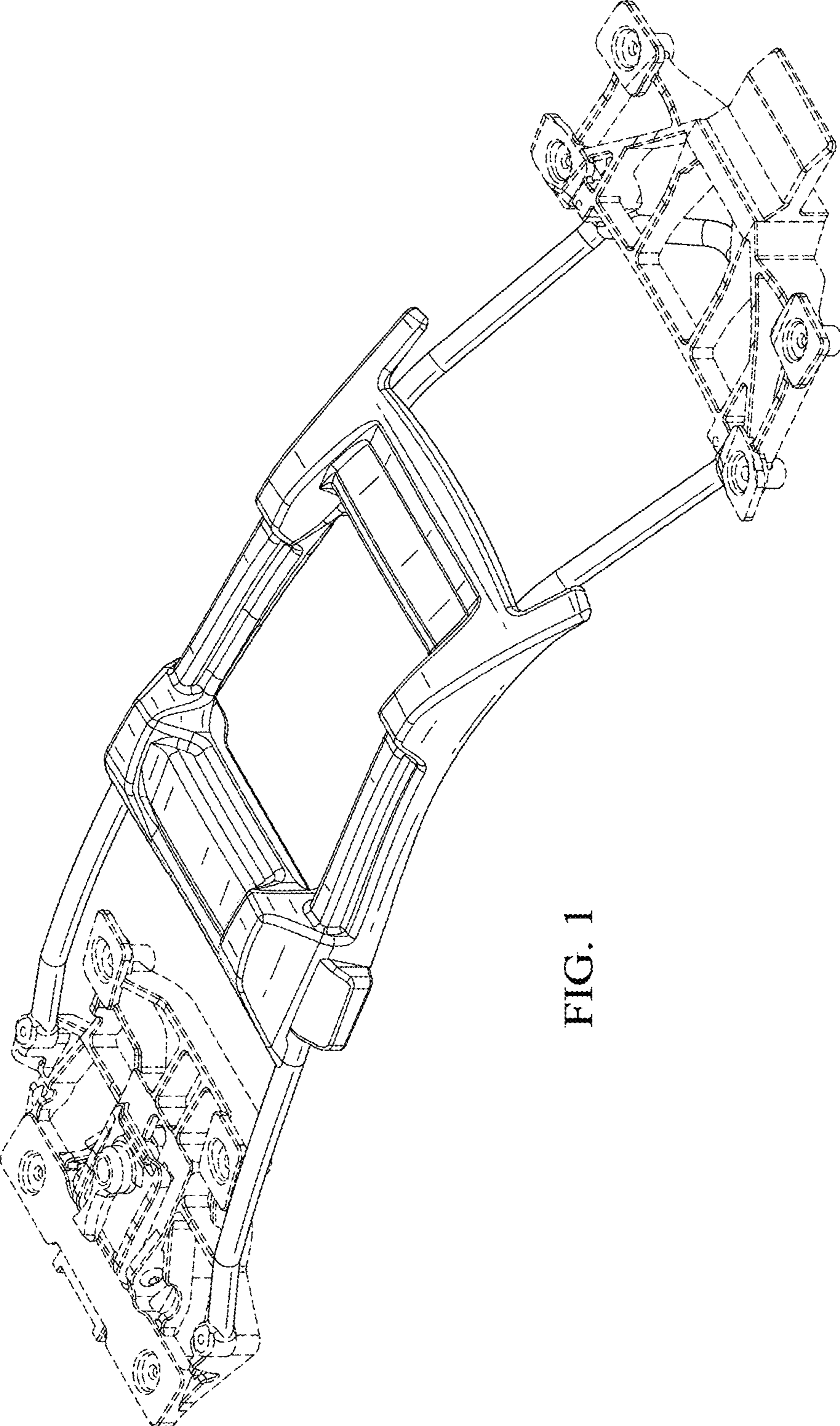


FIG. 1

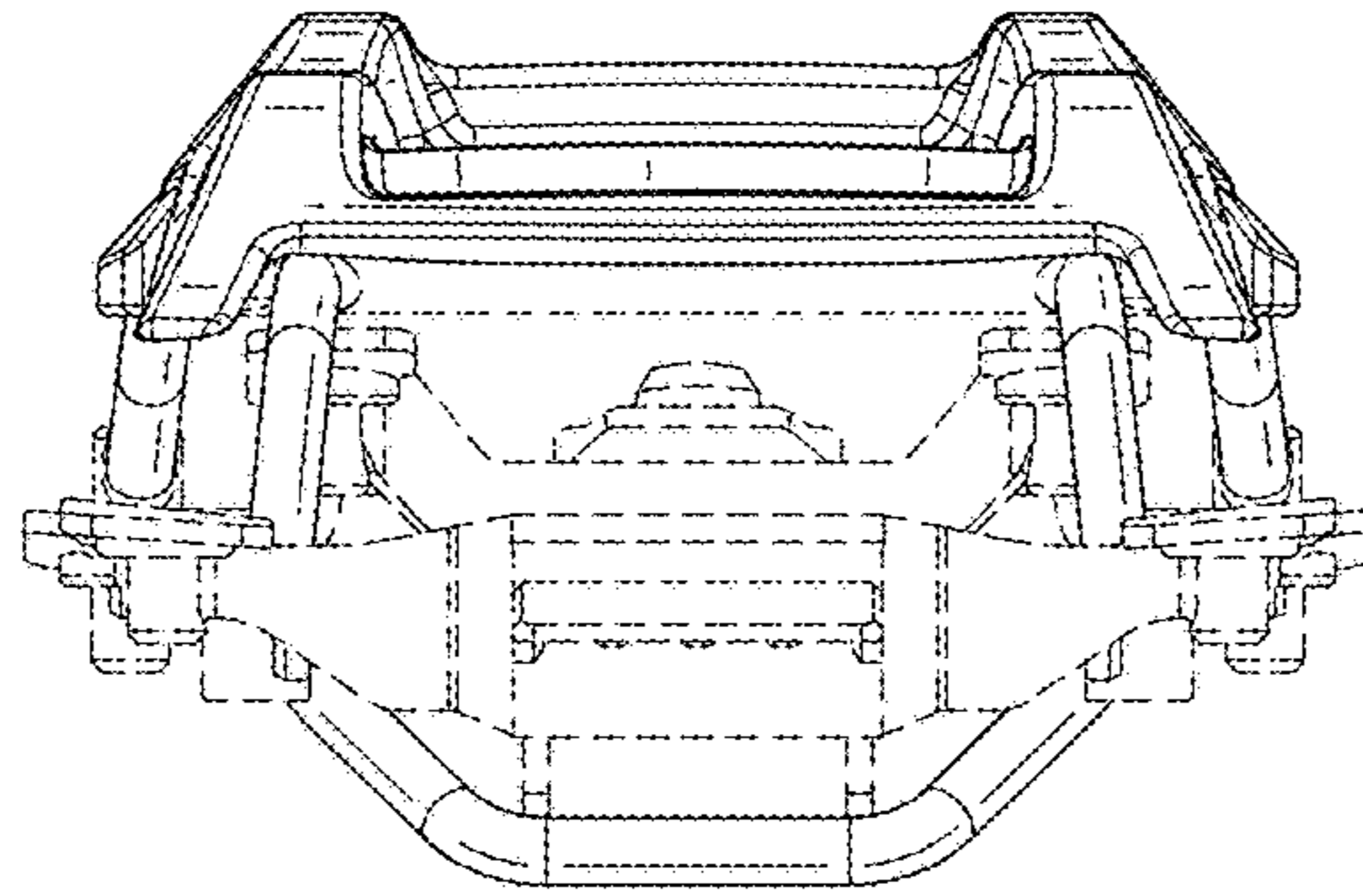


FIG. 2

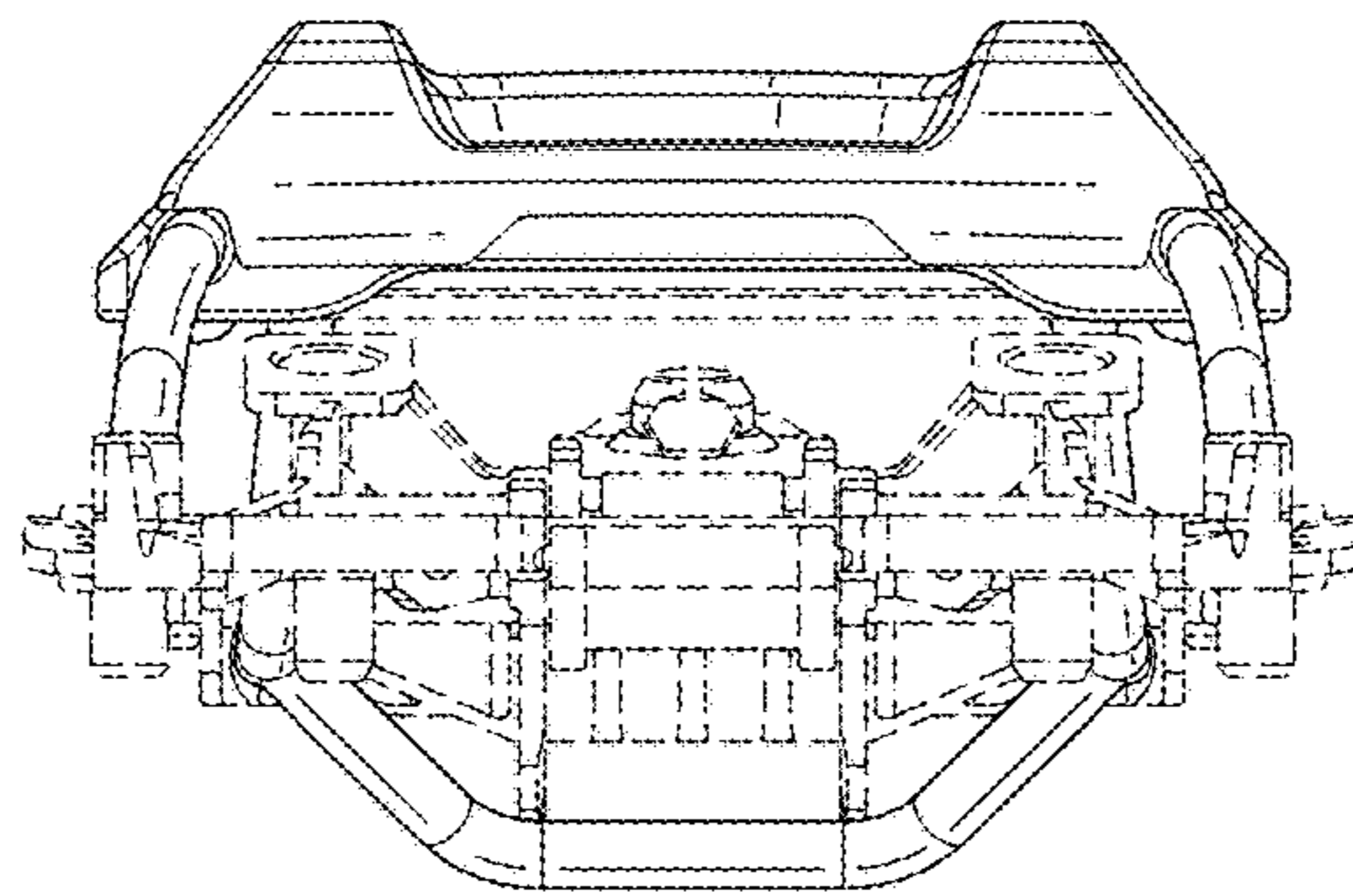


FIG. 3

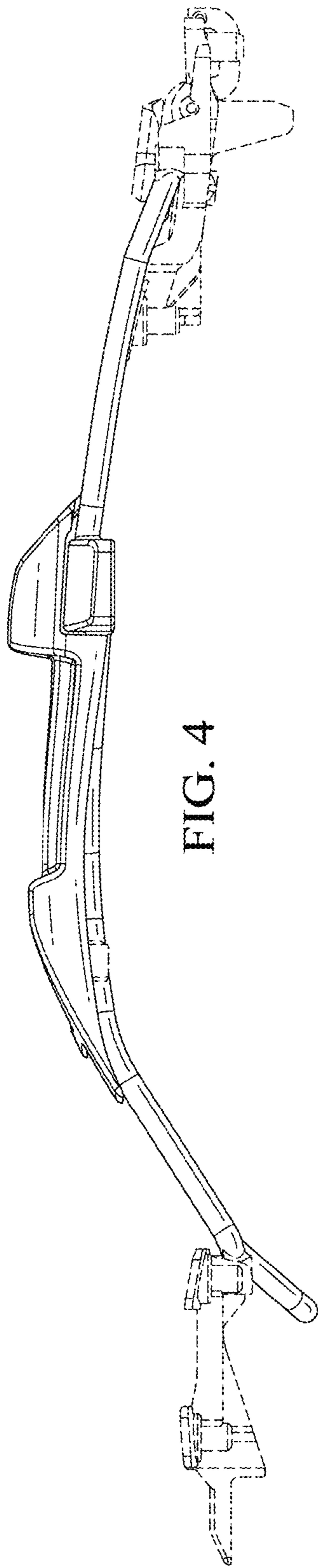


FIG. 4

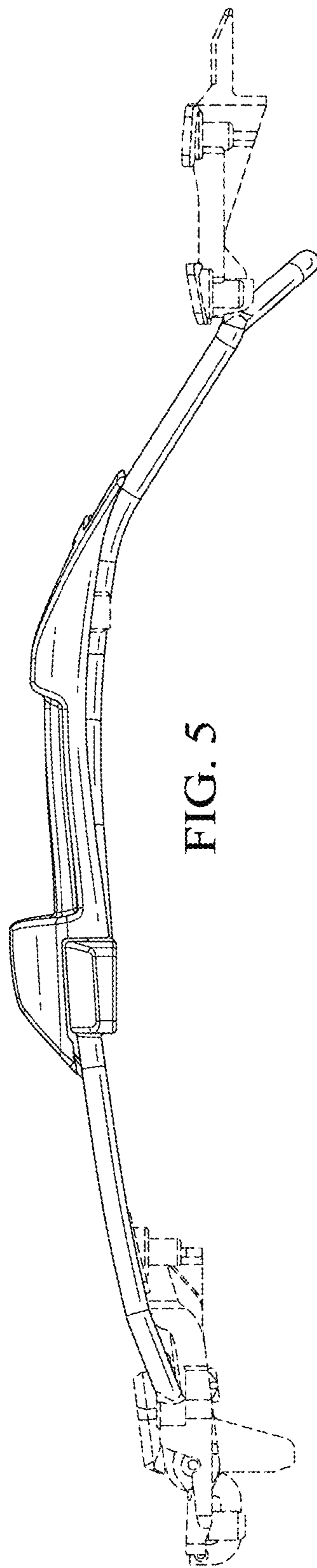


FIG. 5

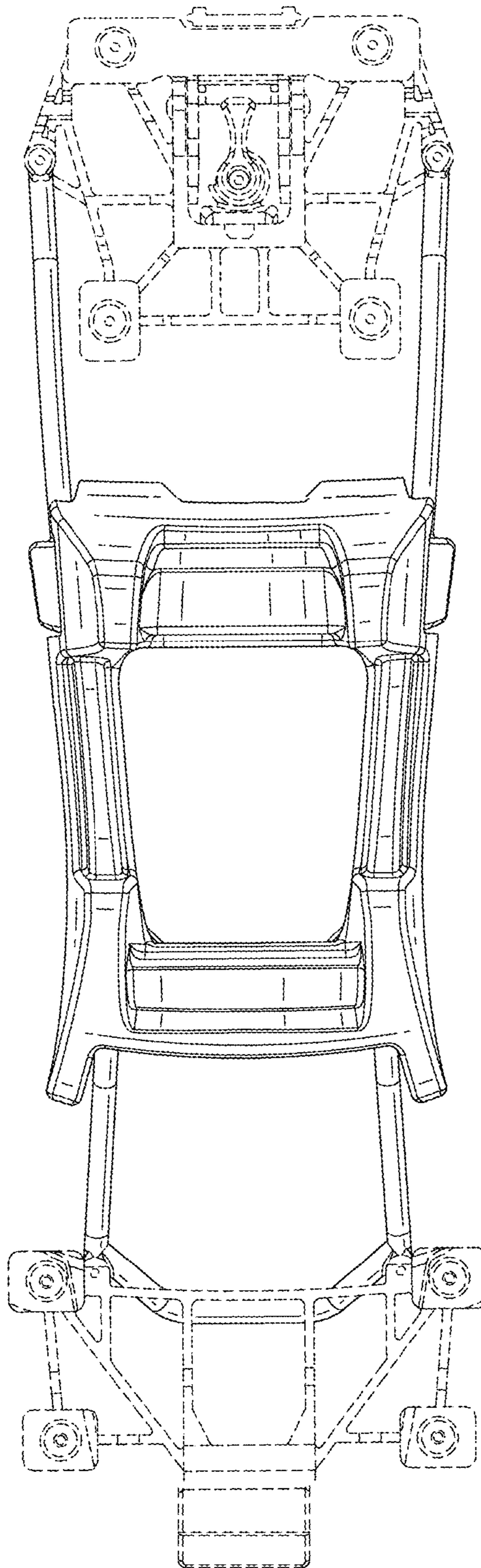


FIG. 6

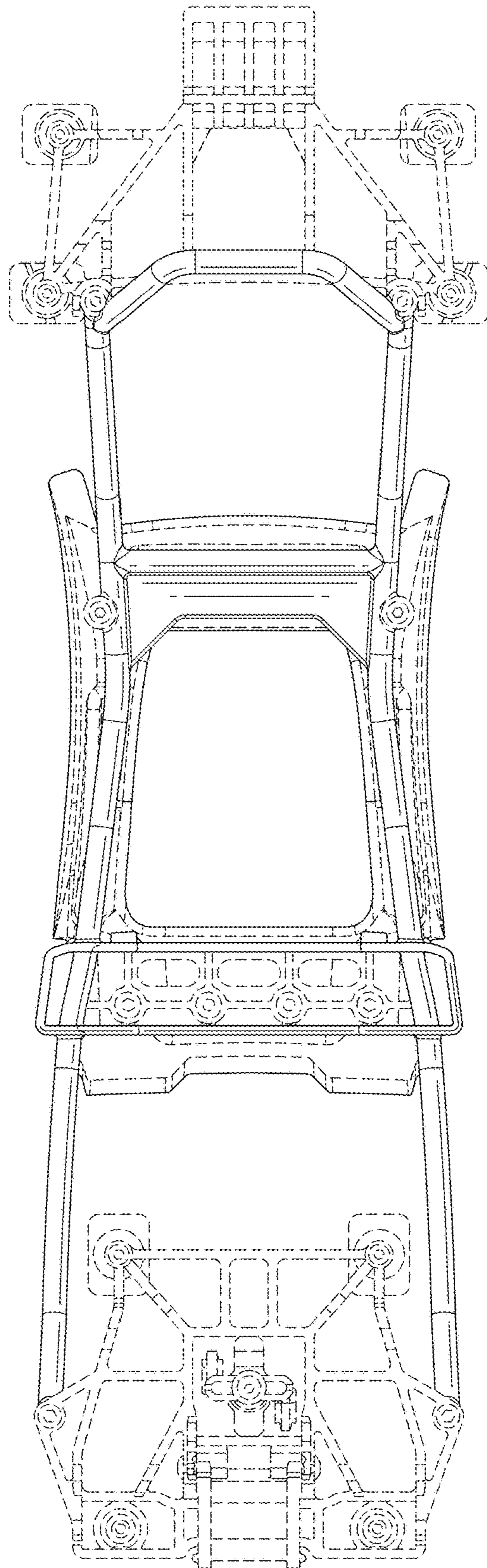


FIG. 7

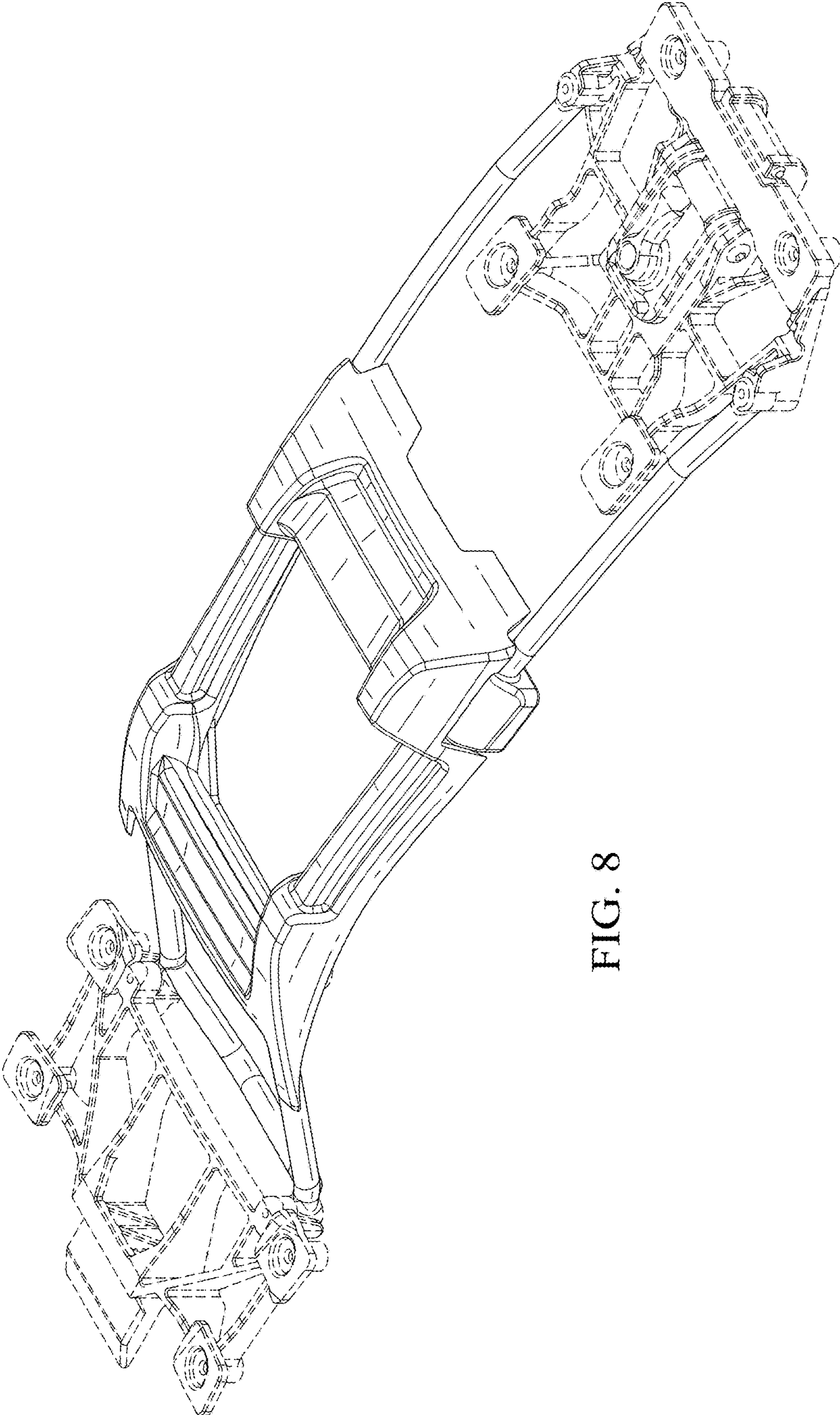


FIG. 8

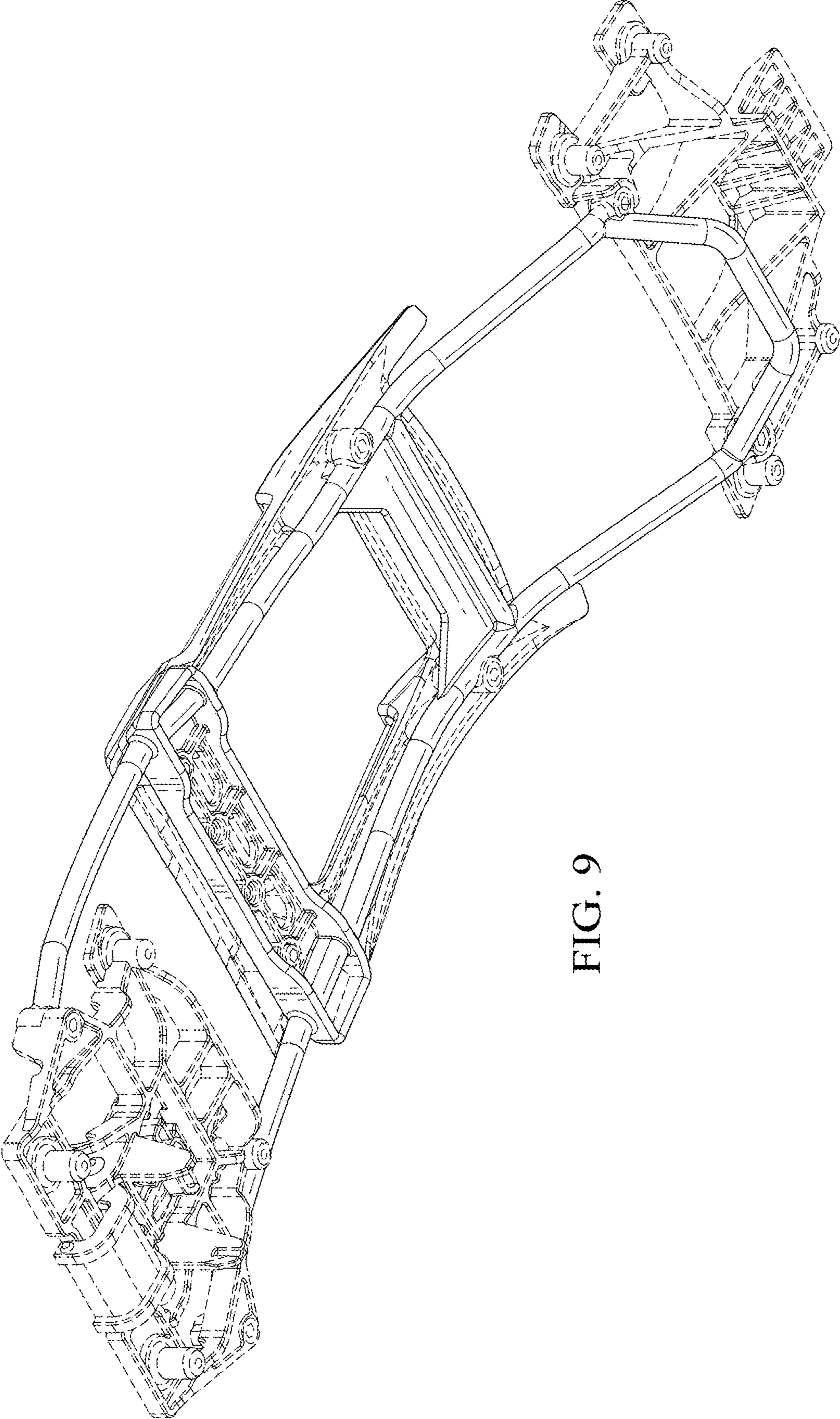


FIG. 9