

US00D864309S

(12) **United States Design Patent**
Barwald et al.

(10) **Patent No.:** **US D864,309 S**
(45) **Date of Patent:** **** Oct. 22, 2019**

- (54) **MODULAR GAMING DIE**
- (71) Applicant: **Brian's Toys Inc.**, Fountain City, WI (US)
- (72) Inventors: **Dustin A. Barwald**, Winona, MN (US); **Joshua M. Cherry**, Winona, MN (US)
- (**) Term: **15 Years**
- (21) Appl. No.: **29/661,085**
- (22) Filed: **Aug. 24, 2018**
- (51) **LOC (12) Cl.** **21-01**
- (52) **U.S. Cl.**
USPC **D21/499**; D21/373
- (58) **Field of Classification Search**
USPC D21/333, 372, 373, 386, 389, 404, 468, D21/470, 471, 475, 484-505; D3/304, D3/314; D24/101; D9/640
CPC A63H 33/04; A63H 33/06; A63H 33/062; A63H 33/08; A63H 33/088; A63F 9/0413; A63F 9/12; A63F 9/1224; A63F 2009/0488; A63F 2009/0491
See application file for complete search history.

- 6,256,914 B1 * 7/2001 Yeh A45C 1/12 40/711
- 7,549,638 B2 * 6/2009 Norman A63F 9/0415 273/146
- 8,387,982 B2 * 3/2013 Howard A63F 9/04 273/146
- 8,408,549 B2 * 4/2013 Howard A63F 9/0413 273/146
- D722,658 S * 2/2015 Marschall D21/499
- D806,180 S * 12/2017 Simonds D21/499
- 9,858,827 B2 * 1/2018 Shirvani G09B 1/36
- D832,935 S * 11/2018 Wakim D21/499
- D837,306 S * 1/2019 Patison D21/499

(Continued)

Primary Examiner — Cynthia M. Chin

(57) **CLAIM**

The ornamental design for a modular gaming die, as shown and described.

DESCRIPTION

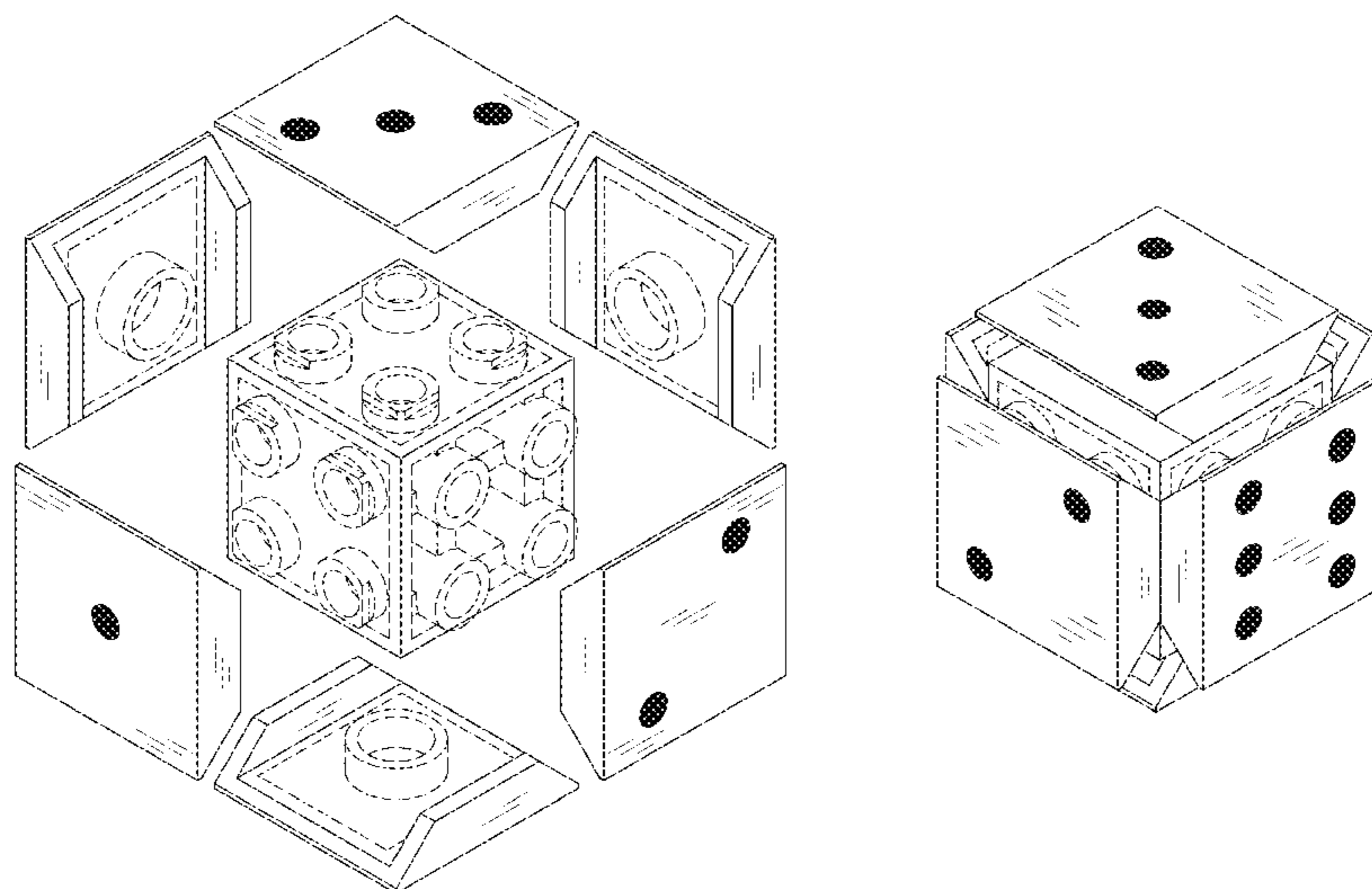
FIG. 1 is an exploded front view of a modular gaming die showing my new design;
 FIG. 2 is an exploded rear view of the modular gaming die;
 FIG. 3 is an exploded right side view of the modular gaming die, a left side view being a mirror image thereof;
 FIG. 4 is an exploded top view of the modular gaming die;
 FIG. 5 is an exploded top and front isometric view of the modular gaming die having the components thereof positioned in an alternate configuration;
 FIG. 6 is an exploded bottom and left isometric view of the modular gaming die having the components thereof positioned in an alternate configuration; and,
 FIG. 7 is a top and rear isometric view of the modular gaming die having components thereof positioned in an alternate configuration.
 The broken lines are for the purpose of illustrating portions of the article that form no part of the claimed design.

(56) **References Cited**

U.S. PATENT DOCUMENTS

- 1,100,549 A * 6/1914 Elkins A63F 9/0415 273/146
- 4,003,144 A * 1/1977 Maddestra A63F 9/0098 434/403
- 4,678,191 A * 7/1987 Mills A63F 9/0413 273/146
- 4,846,687 A * 7/1989 White G09B 1/10 434/112
- 5,306,198 A * 4/1994 Forman A63F 9/0098 446/116
- 5,554,062 A * 9/1996 Goldsen A63F 9/0098 434/171

1 Claim, 7 Drawing Sheets



(56)

References Cited

U.S. PATENT DOCUMENTS

D852,896 S *	7/2019	Semling	D21/499
2008/0122171 A1 *	5/2008	Long	A63F 9/04 273/146
2008/0272542 A1 *	11/2008	Norman	A63F 9/0415 273/146
2009/0206548 A1 *	8/2009	Hawkins	A63F 9/04 273/146
2011/0042891 A1 *	2/2011	Howard	A63F 9/0413 273/146
2011/0101607 A1 *	5/2011	Howard	A63F 9/04 273/146
2011/0227282 A1 *	9/2011	Sondors	A63F 9/0413 273/146
2014/0131944 A1 *	5/2014	Lehavi	A63F 9/1204 273/156

* cited by examiner

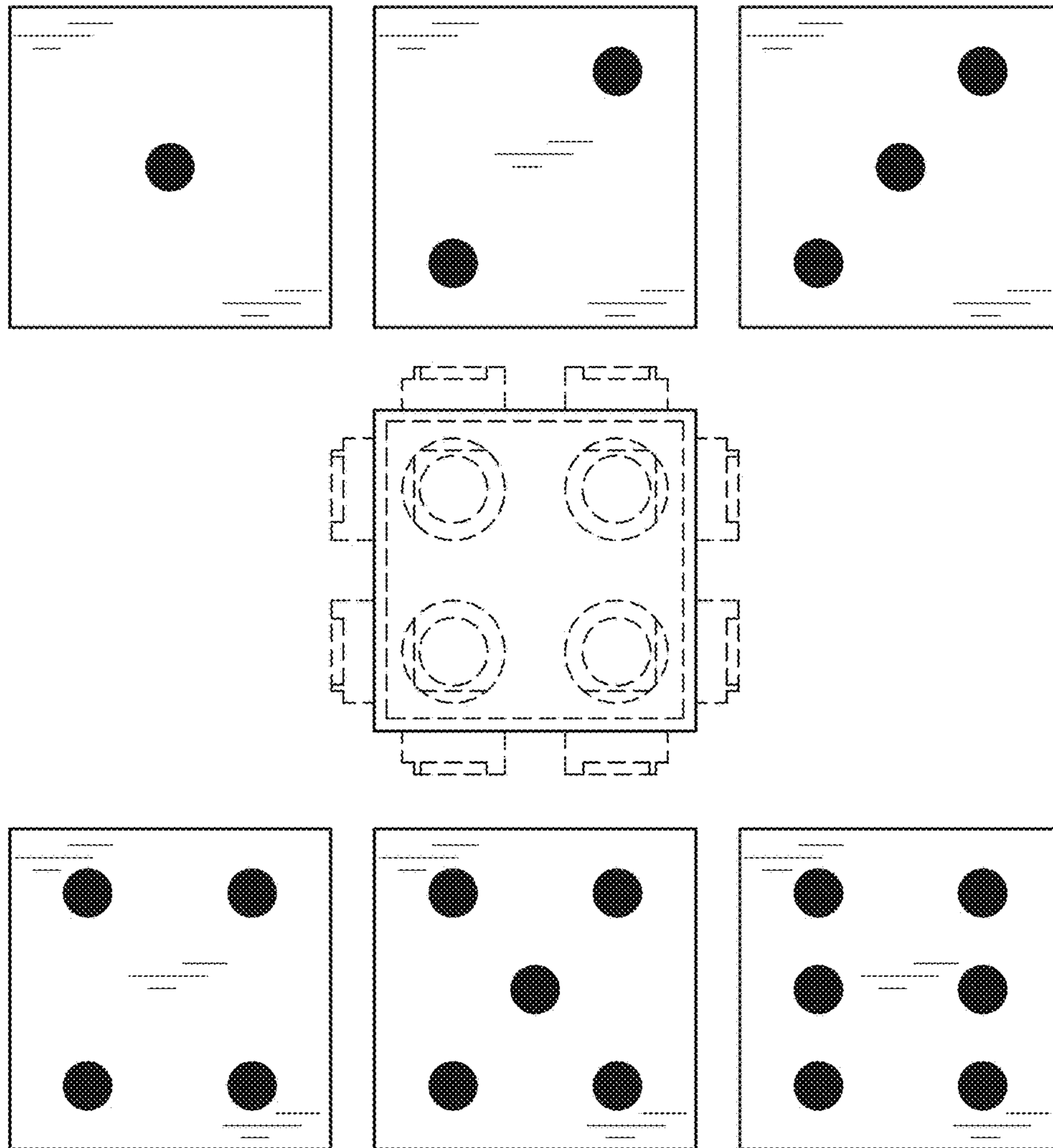


FIG. 1

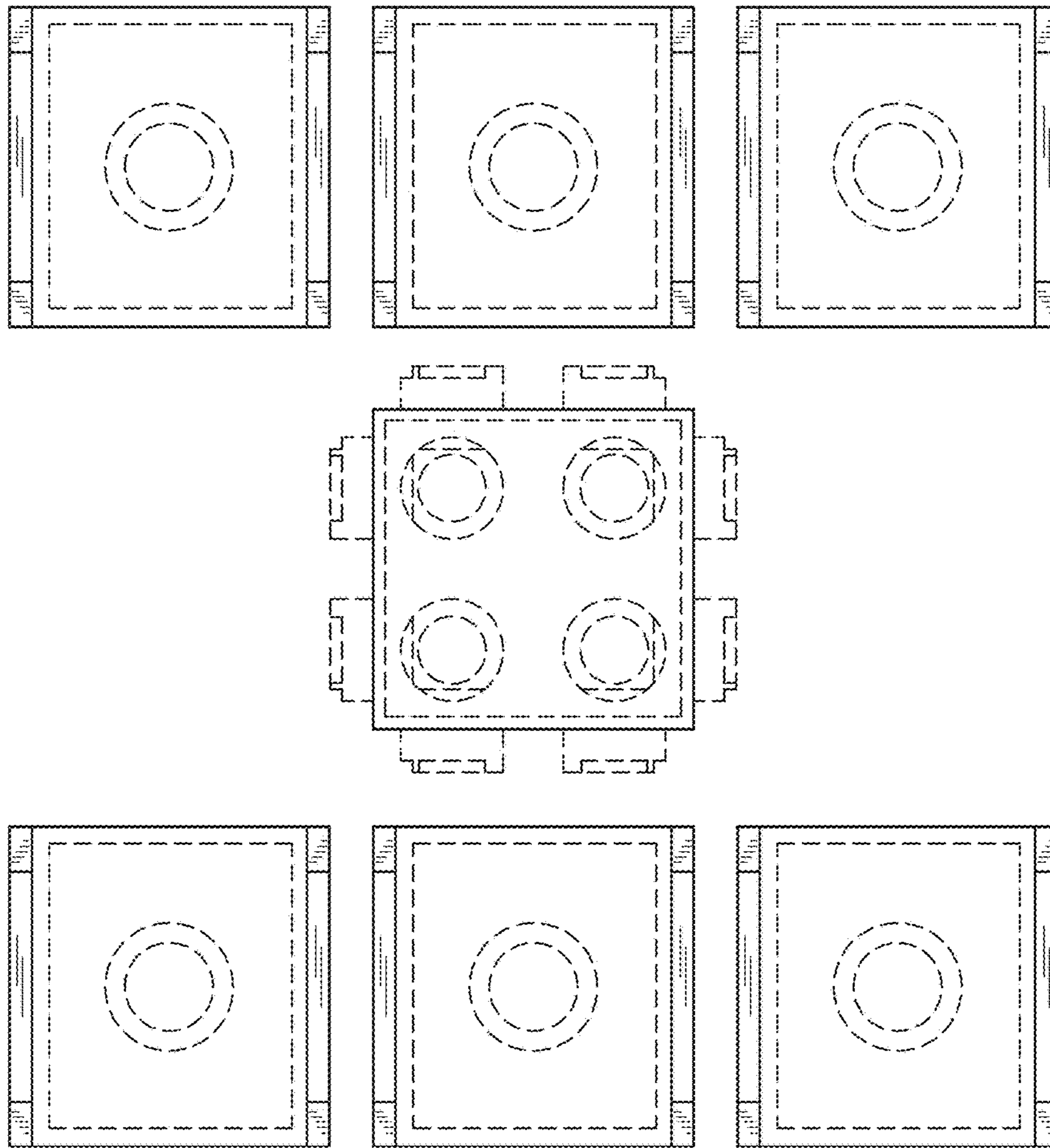


FIG. 2

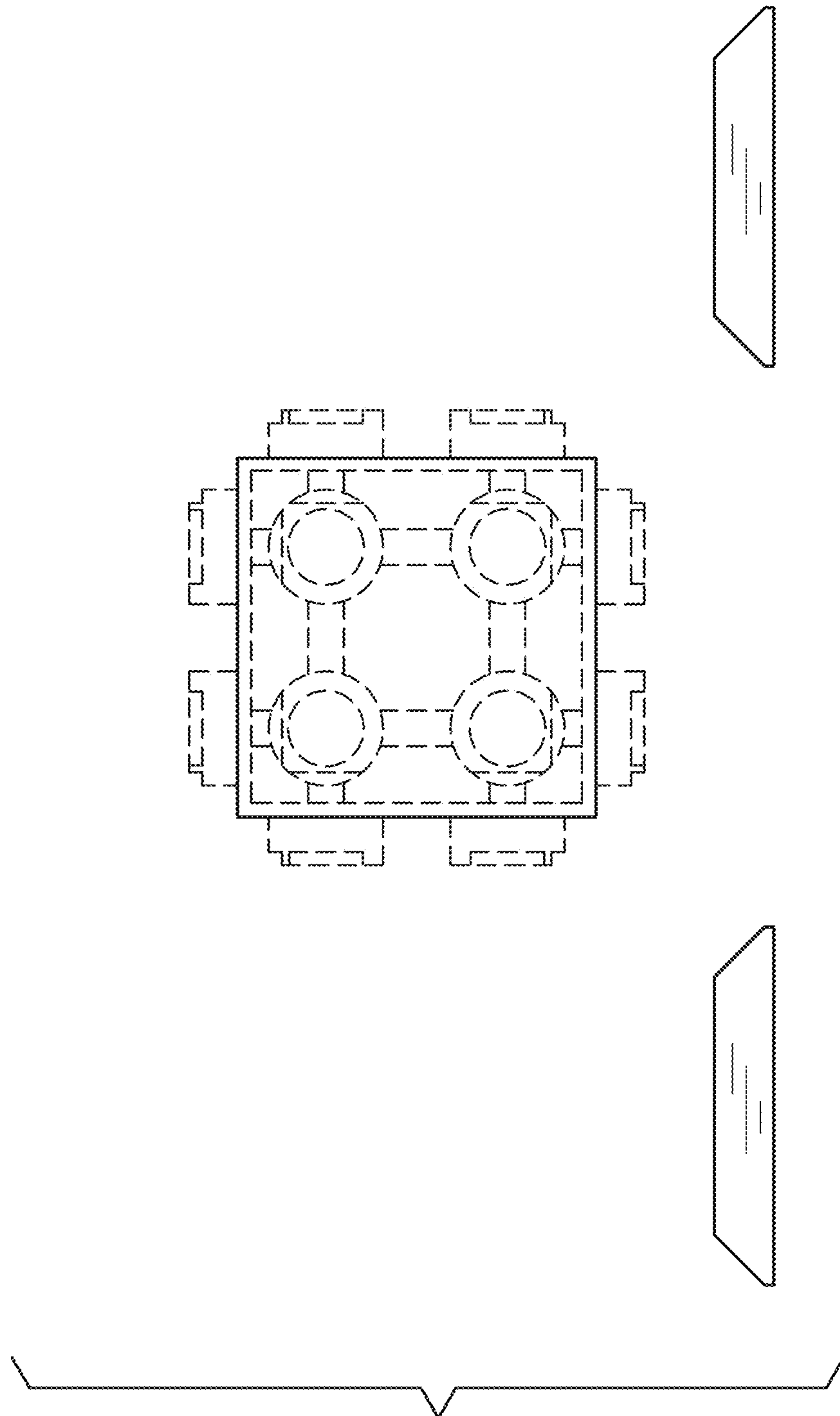


FIG. 3

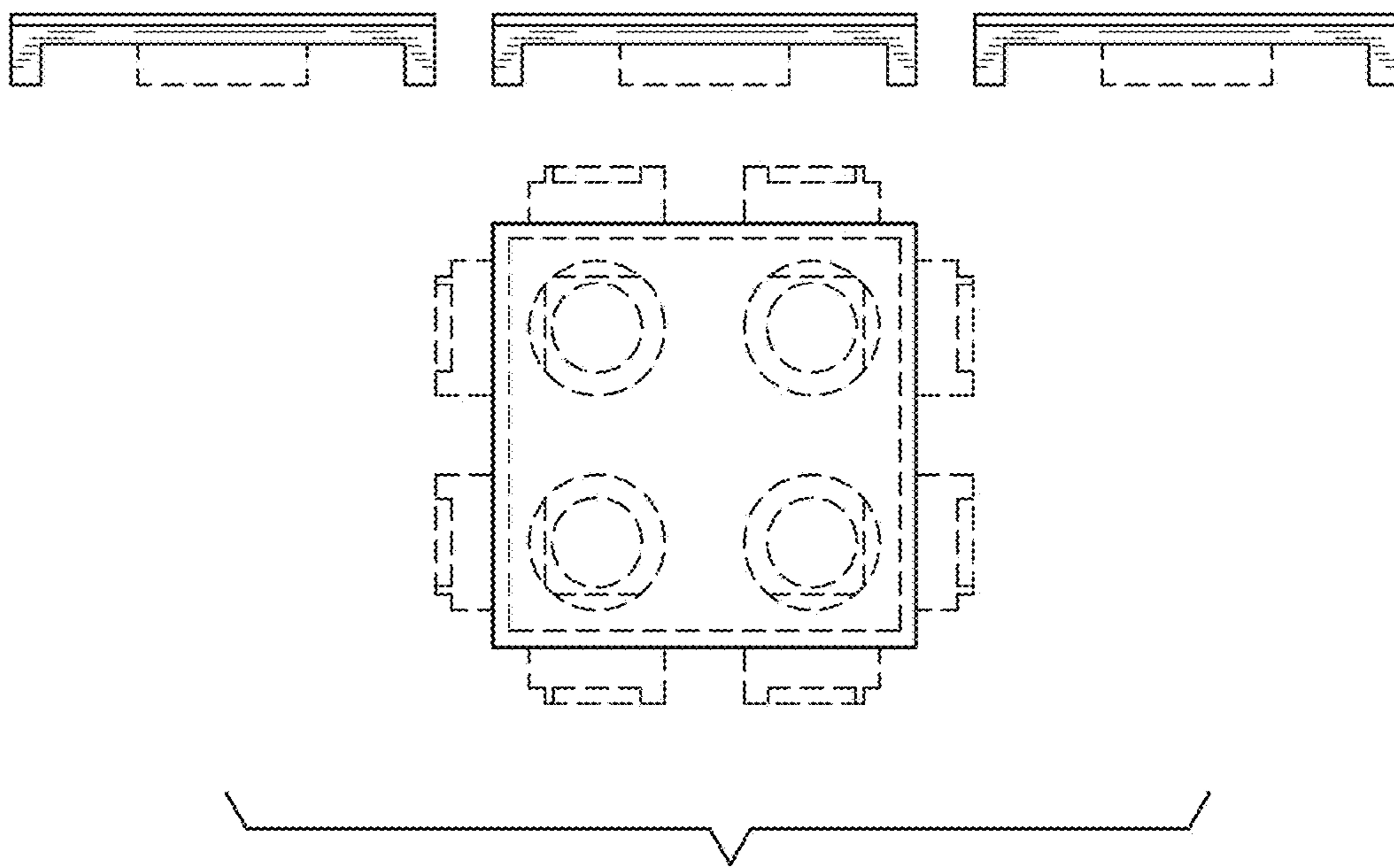


FIG. 4

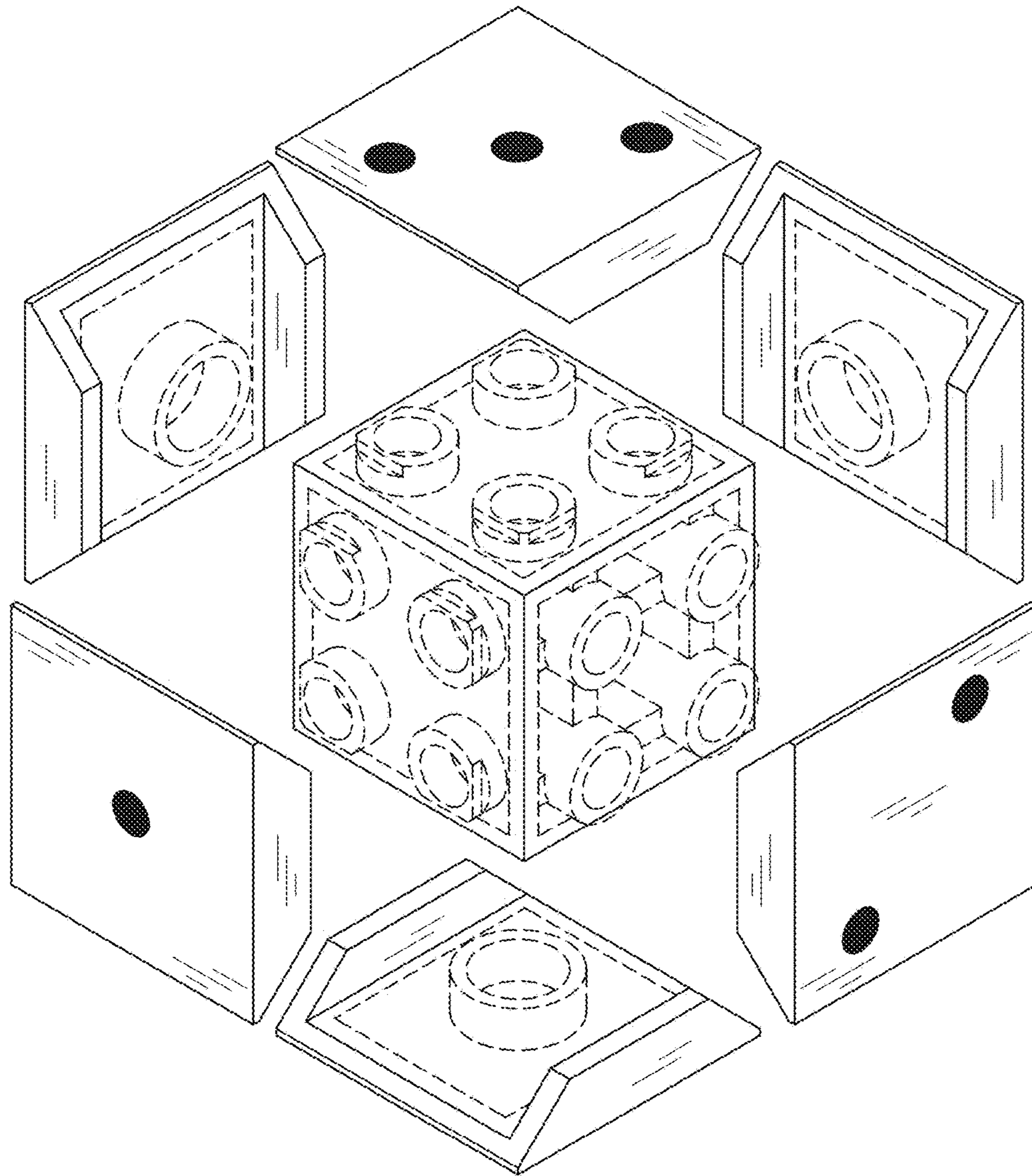


FIG. 5

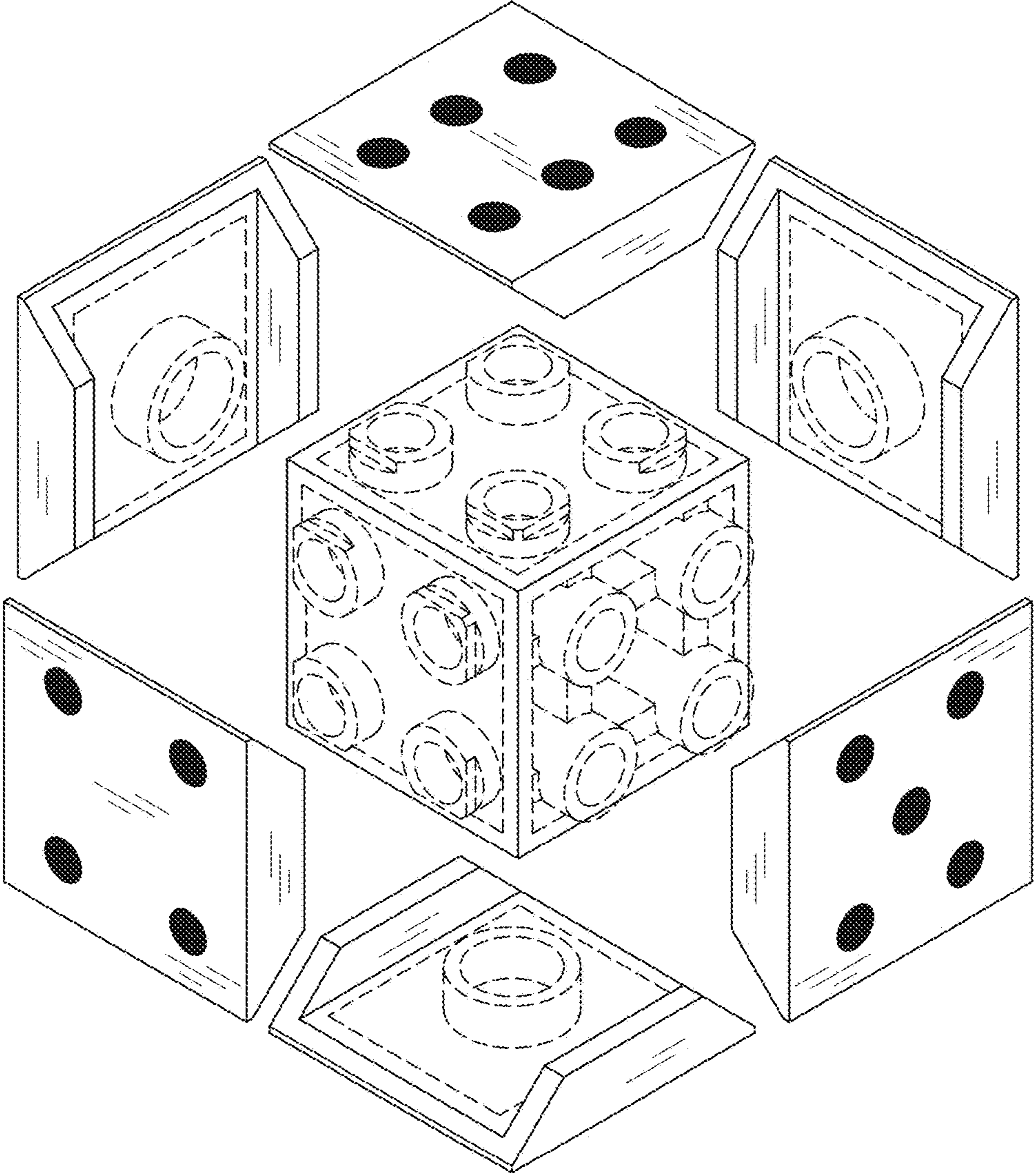


FIG. 6

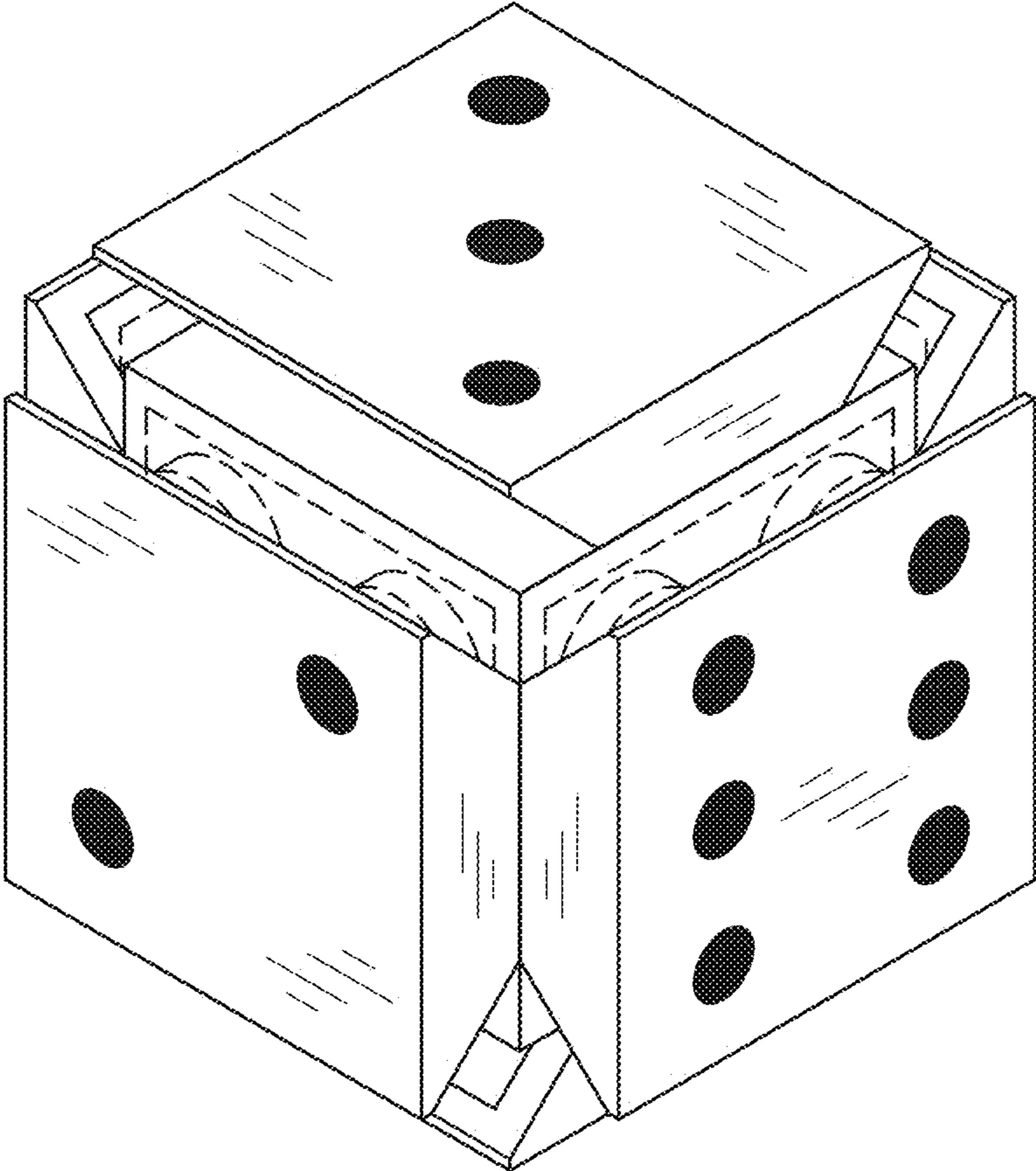


FIG. 7