



US00D864308S

(12) **United States Design Patent** (10) **Patent No.:** **US D864,308 S**  
**Mølgaard et al.** (45) **Date of Patent:** **\*\* Oct. 22, 2019**

(54) **TOY BUILDING ELEMENT** 5,030,158 A \* 7/1991 Gal ..... A63H 33/042  
 359/896  
 (71) Applicant: **LEGO A/S**, Billund (DK) D332,809 S \* 1/1993 Knudsen ..... D21/500  
 D342,555 S \* 12/1993 Berggreen ..... D21/501  
 (72) Inventors: **Rikke Høgstrup Mølgaard**, Abyhøj D350,787 S \* 9/1994 Højlund ..... D21/501  
 (DK); **Søren Hansen Hinge**, Århus N D362,474 S \* 9/1995 Voldmester ..... D21/501  
 (DK); **Søren Holm**, Vejle (DK) D371,811 S \* 7/1996 Clark ..... D21/494  
 D409,690 S \* 5/1999 Nielsen ..... D21/493  
 D412,945 S \* 8/1999 Jørgensen ..... D21/492  
 D667,507 S \* 9/2012 Rezero ..... D21/484  
 D767,044 S \* 9/2016 Ting ..... D21/484  
 D807,968 S \* 1/2018 Hu ..... D21/501  
 D807,969 S \* 1/2018 Hu ..... D21/501  
 D817,412 S \* 5/2018 Hu ..... D21/501  
 2015/0268693 A1 \* 9/2015 Oh ..... G06F 1/1601  
 361/679.32

(22) Filed: **Jan. 26, 2018**

\* cited by examiner

(30) **Foreign Application Priority Data**

*Primary Examiner* — Cynthia M. Chin

Aug. 11, 2017 (EM) ..... 004143824

(74) *Attorney, Agent, or Firm* — Day Pitney LLP

(51) **LOC (12) Cl.** ..... **21-01**

(57) **CLAIM**

(52) **U.S. Cl.**

The ornamental design for a toy building element, as shown and described.

USPC ..... **D21/494**

(58) **Field of Classification Search**

**DESCRIPTION**

USPC ..... D21/468, 470, 471, 478, 479, 484–505;  
D25/113–115, 118

CPC ..... A63H 33/04; A63H 33/044; A63H 33/06;  
A63H 33/062; A63H 33/10; A63H  
33/101; A63H 33/108

See application file for complete search history.

FIG. 1 is a front perspective view of an ornamental design for toy building element;  
FIG. 2 is a bottom plan view thereof;  
FIG. 3 is a front elevational view thereof;  
FIG. 4 is a left side elevational view thereof;  
FIG. 5 is a rear elevational view thereof;  
FIG. 6 is a right side elevational view thereof; and,  
FIG. 7 is a top plan view thereof.

(56) **References Cited**

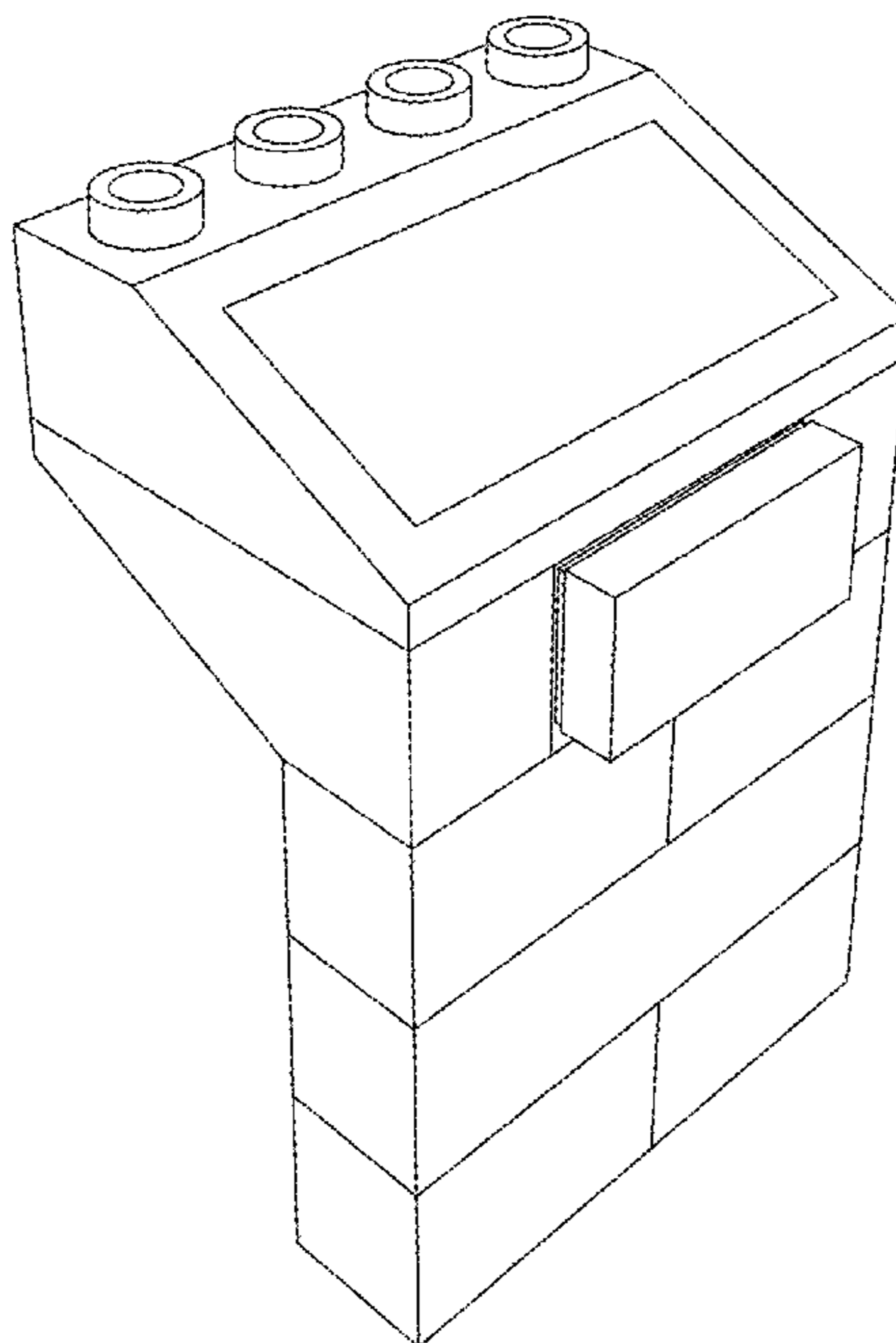
The broken lines are for the purpose of illustrating portions of the article that form no part of the claimed design.

**U.S. PATENT DOCUMENTS**

2,294,776 A \* 9/1942 Freeman ..... E04B 2/18  
52/286

D291,333 S \* 8/1987 Thomsen ..... D21/494

**1 Claim, 7 Drawing Sheets**



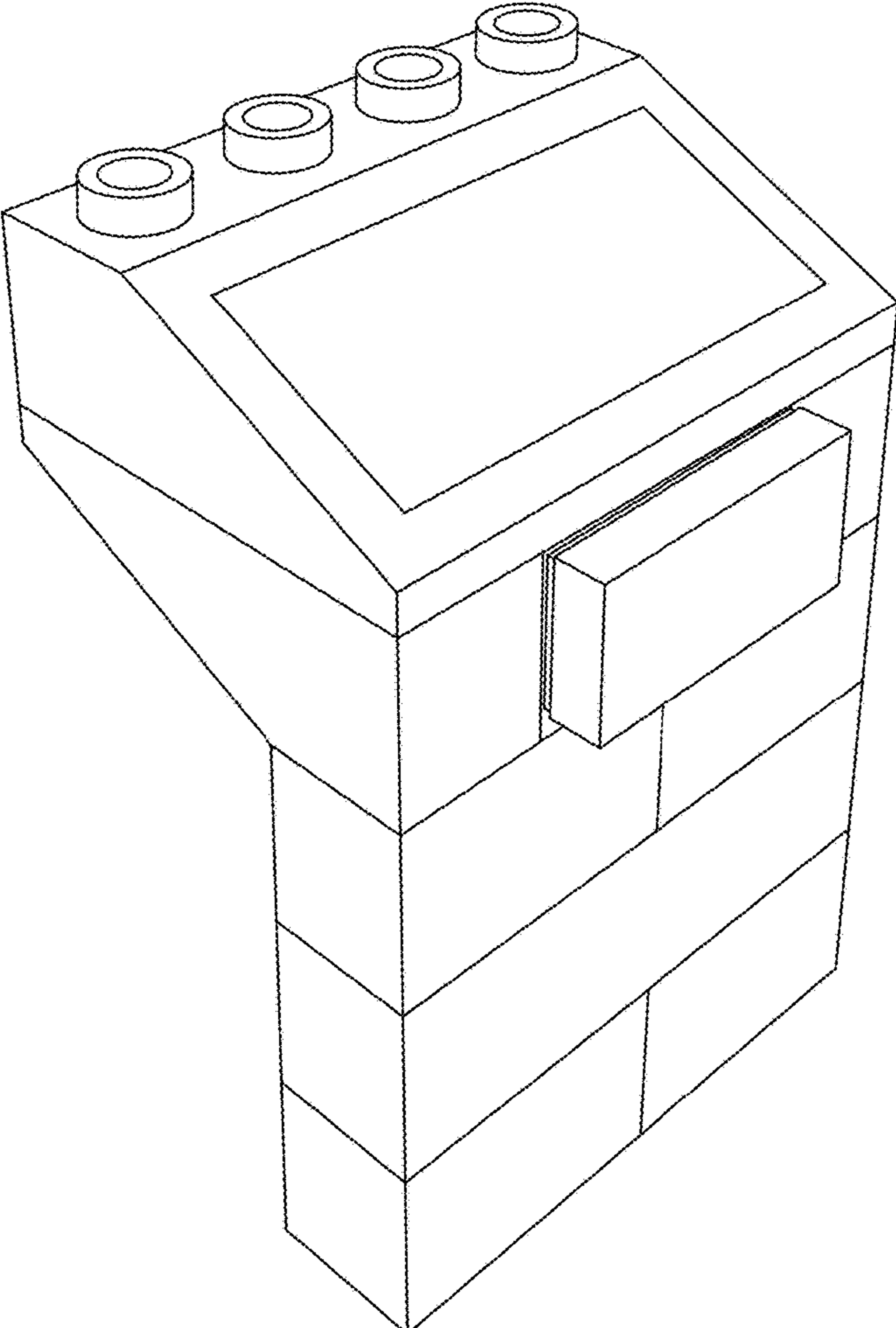


FIG. 1

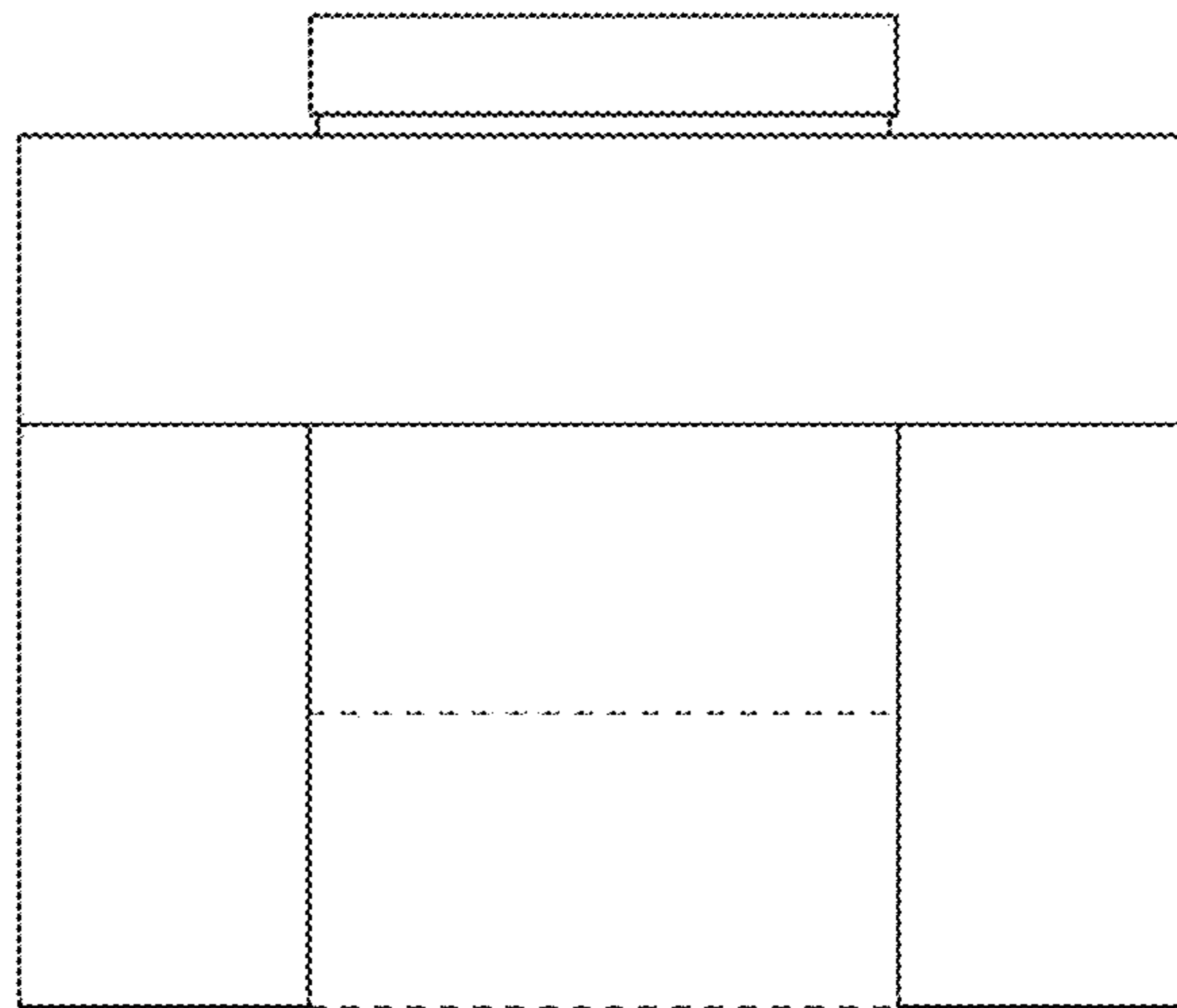


FIG. 2

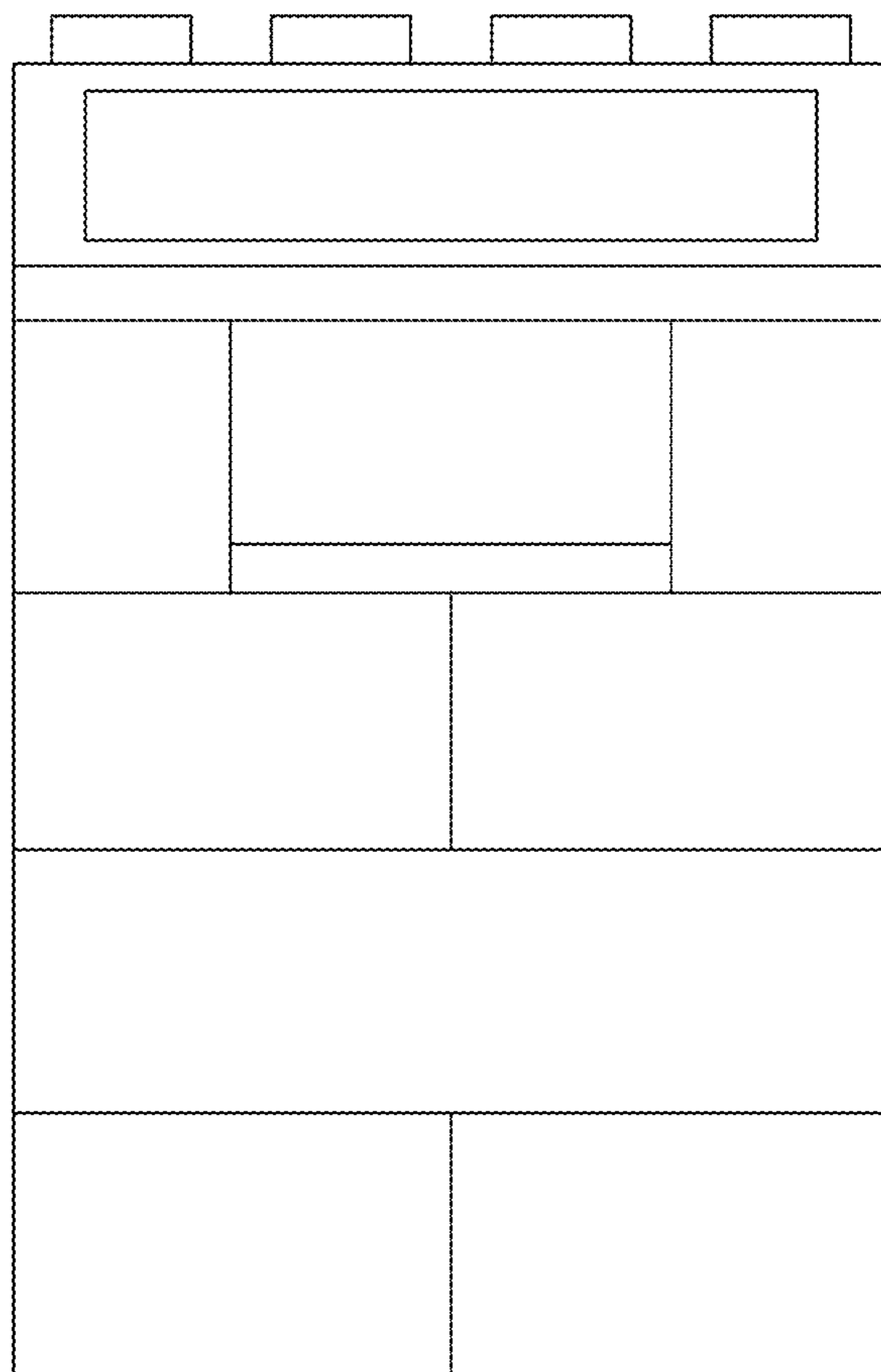


FIG. 3

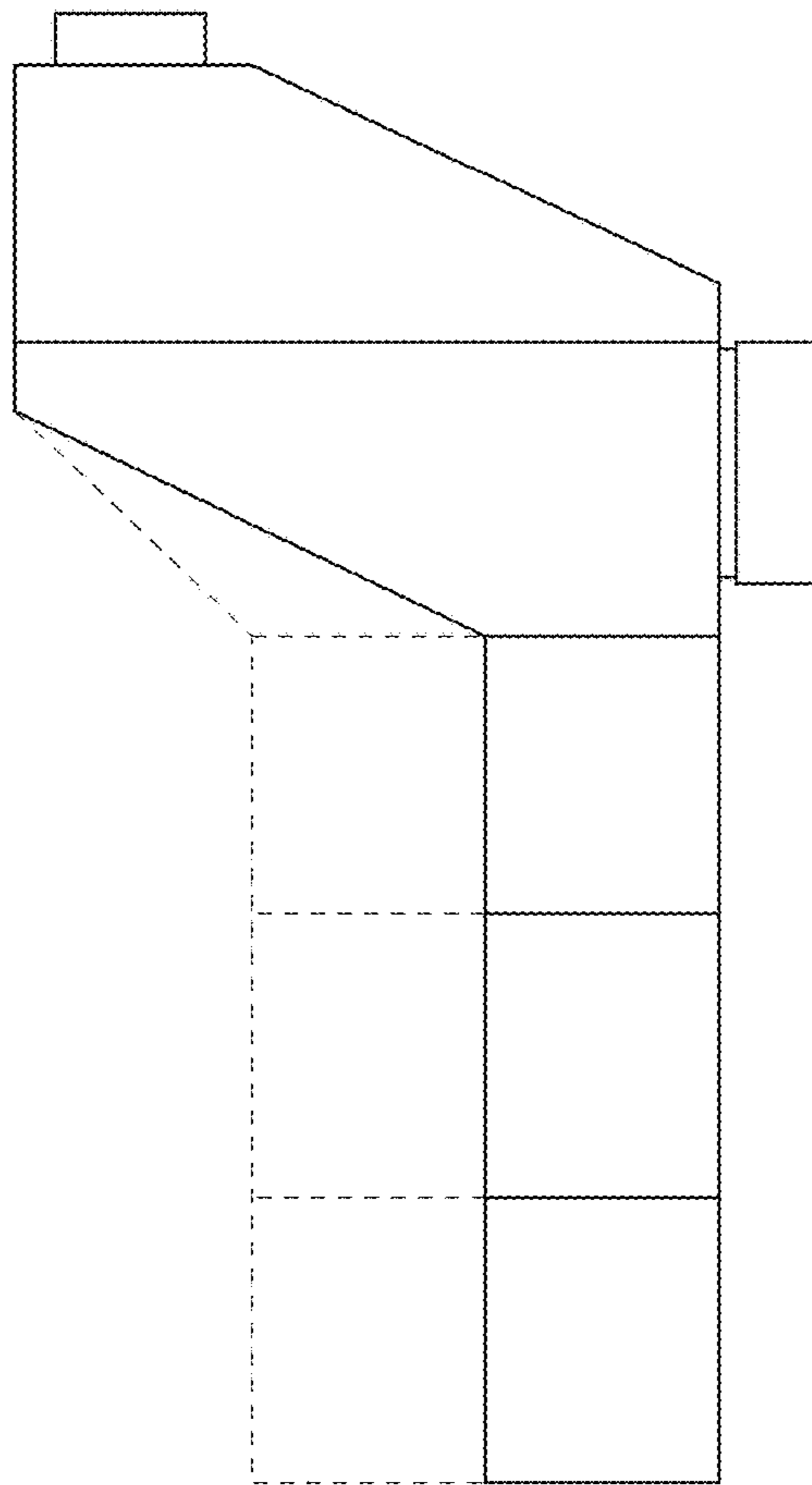


FIG. 4

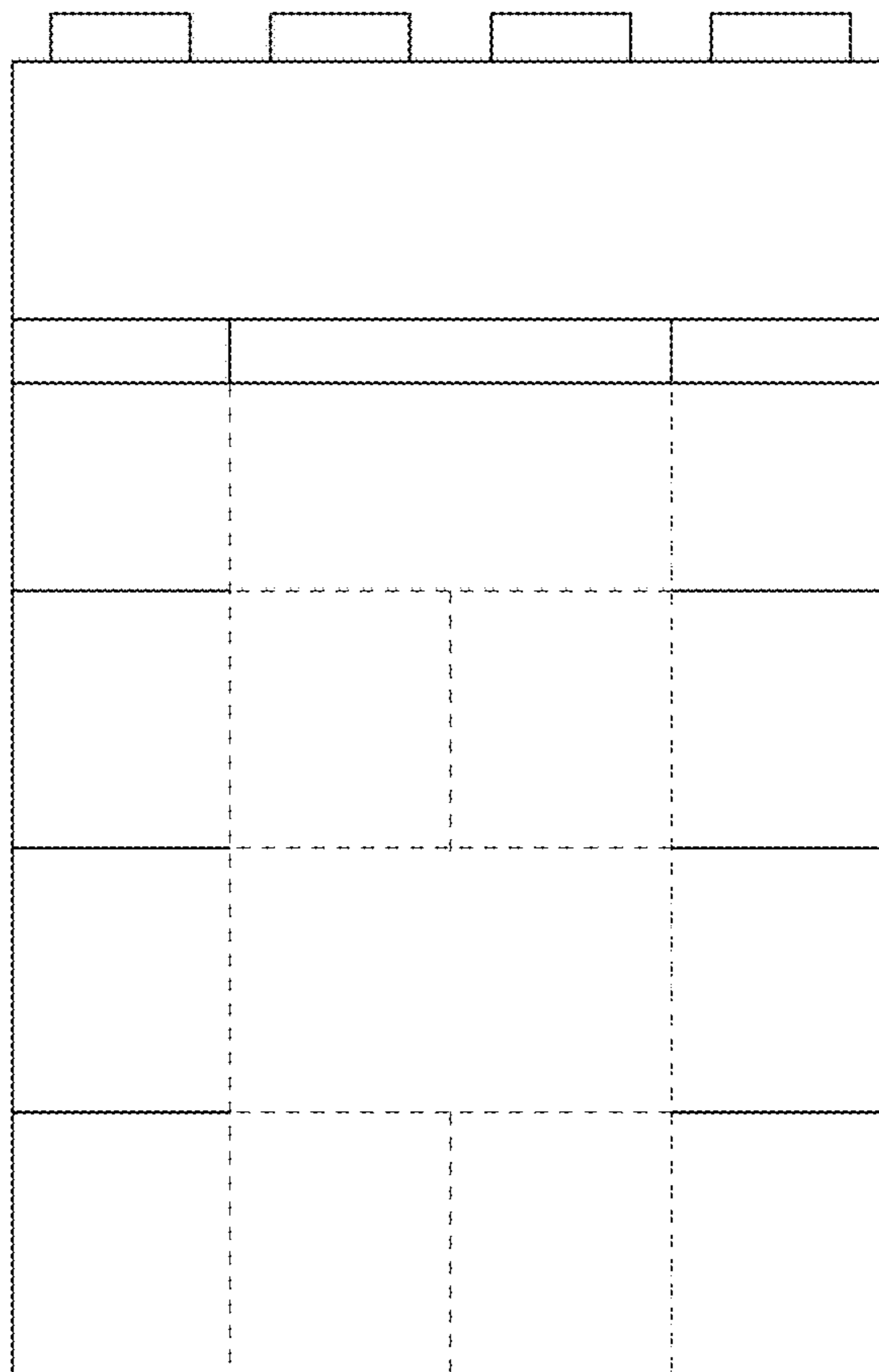


FIG. 5

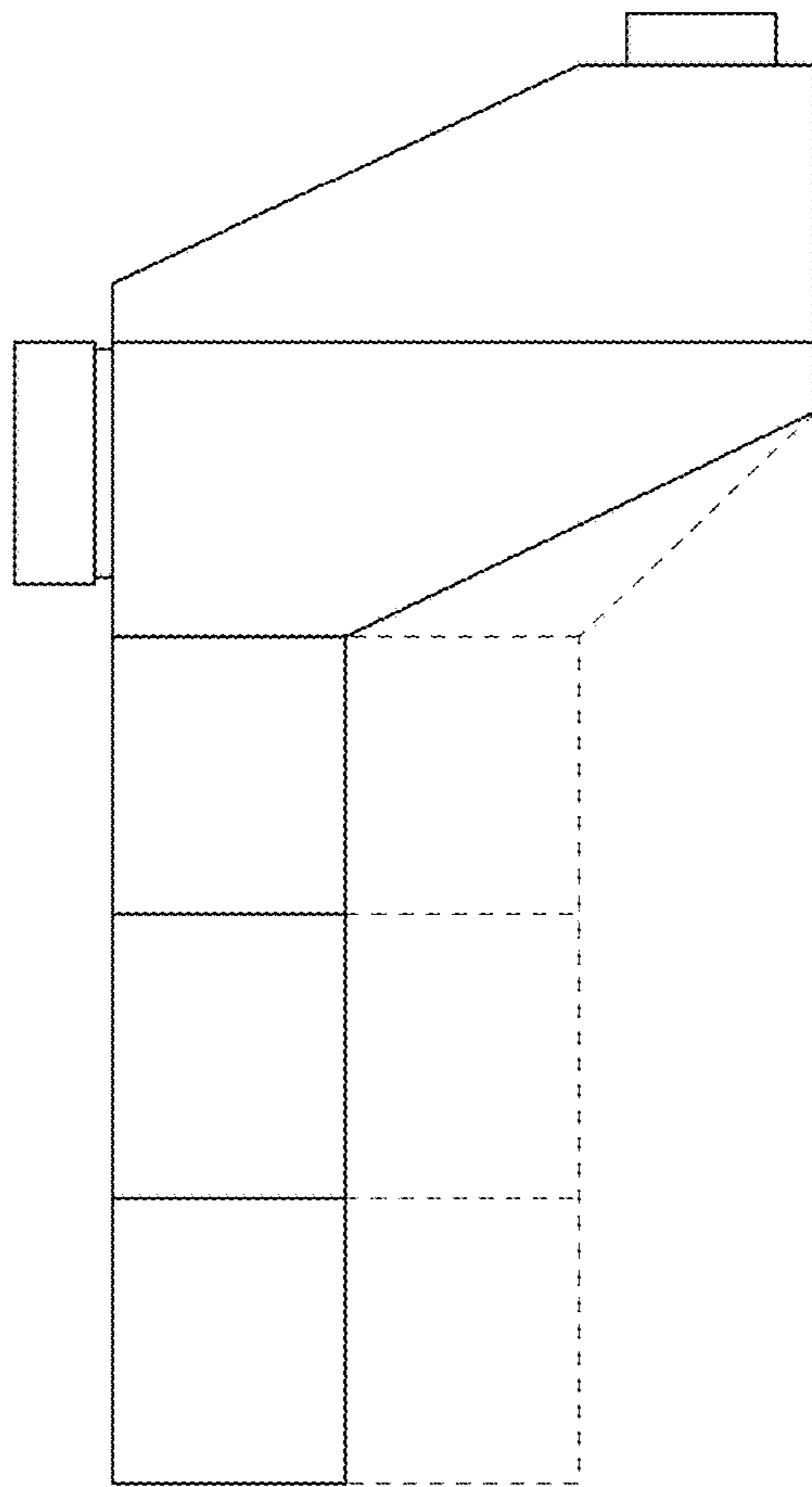


FIG. 6

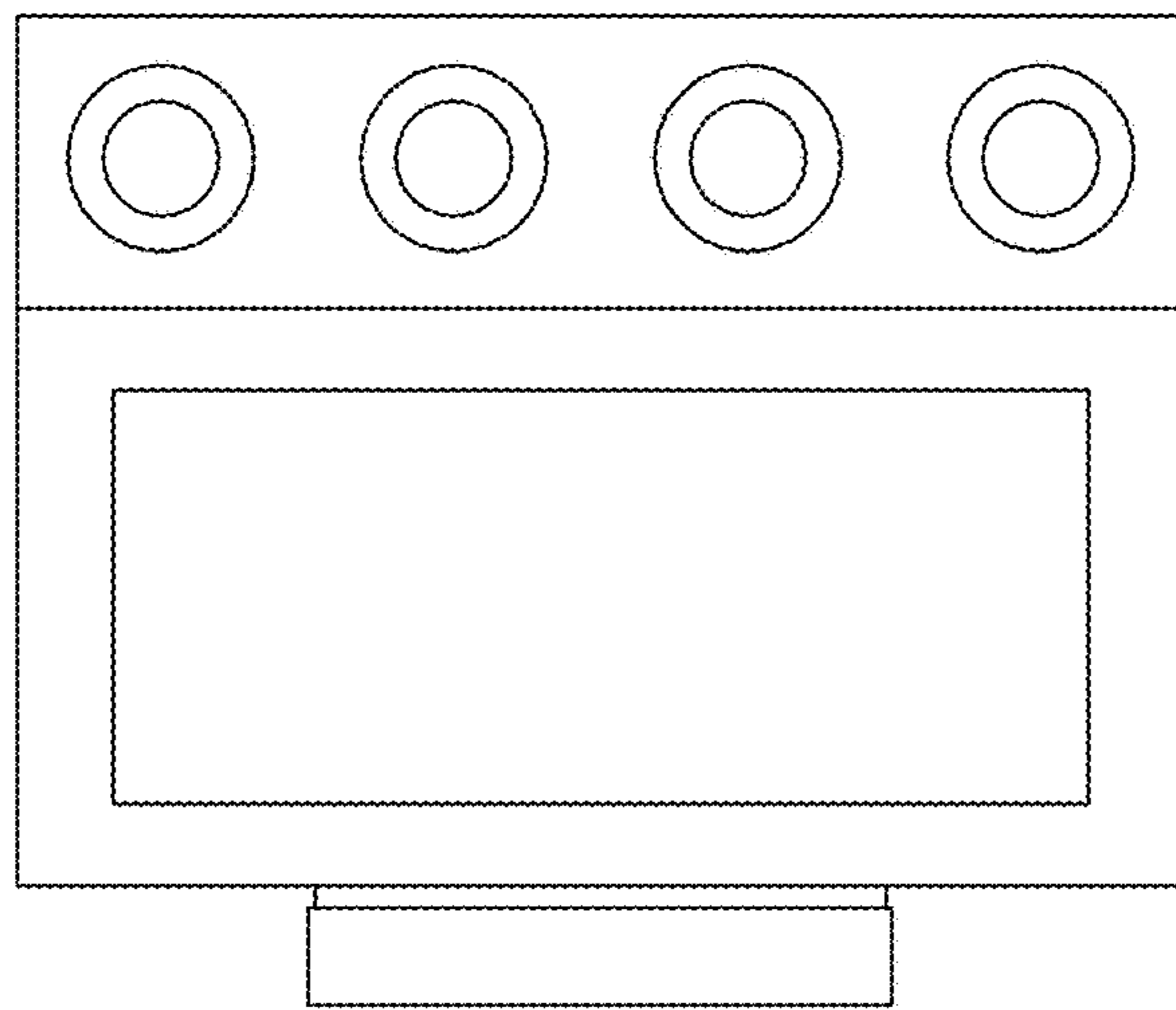


FIG 7