

US00D864305S

(12) **United States Design Patent**
Ortiz De Viveiros et al.

(10) **Patent No.:** **US D864,305 S**
(45) **Date of Patent:** **** Oct. 22, 2019**

(54) **GAMING MACHINE DESK TOP TERMINAL**

(71) Applicant: **ZITRO IP S.à.r.l.**, Luxembourg (LU)

(72) Inventors: **Johnny Ortiz De Viveiros**, Madrid (ES); **Fidel Raül García Álvarez**, Madrid (ES)

(73) Assignee: **ZITRO IP S.à.r.l.**, Luxembourg (LU)

(**) Term: **15 Years**

(21) Appl. No.: **29/610,738**

(22) Filed: **Jul. 14, 2017**

(30) **Foreign Application Priority Data**

Jan. 16, 2017 (EM) 003641265-0001
Jan. 16, 2017 (EM) 003641265-0002
Jan. 16, 2017 (EM) 003641265-0003

(51) **LOC (12) Cl.** **21-01**

(52) **U.S. Cl.**
USPC **D21/369**

(58) **Field of Classification Search**
USPC D21/369, 370, 371, 385, 329, 325, 394;
D14/307, 172, 129, 325, 401, 371, 126,
D14/439, 432, 450, 128, 375, 248, 374,
D14/341, 138 G, 127; 463/28, 13, 11,
463/16, 20, 25, 31, 46, 23, 30, 17, 36, 29,
463/42, 34, 32, 35, 19, 21, 22; 273/292,
273/203, 138.2, 143 R, 142 R, 138.1;
D8/335, 331, 334
CPC G07F 17/32; G07F 17/34; G07F 17/3211;
G07F 17/3244; G07F 17/3267
See application file for complete search history.

(56) **References Cited**

U.S. PATENT DOCUMENTS

D481,078 S * 10/2003 Stephan D21/369
D586,866 S * 2/2009 Hsu D21/370

D599,859 S * 9/2009 Lesley D21/370
D615,598 S * 5/2010 McComb D21/370
D619,177 S * 7/2010 Lee D21/325
D677,736 S * 3/2013 Dorn D21/370
D684,216 S * 6/2013 Terpstra D21/370
D684,637 S * 6/2013 Shelley D21/370
D697,558 S * 1/2014 Myers D21/325
D705,872 S * 5/2014 Ortiz D21/370
D708,676 S * 7/2014 Ballman D14/307
D727,431 S * 4/2015 Themann D21/370

(Continued)

OTHER PUBLICATIONS

Fusion Slant by Zitrogames dated Sep. 15, 2017. Found online [Aug. 21, 2018]<https://www.youtube.com/watch?v=72WVlRmW16g> (Year: 2017).*

(Continued)

Primary Examiner — Ryan Harvey
(74) *Attorney, Agent, or Firm* — Davis & Bujold PLLC;
Michael J. Bujold

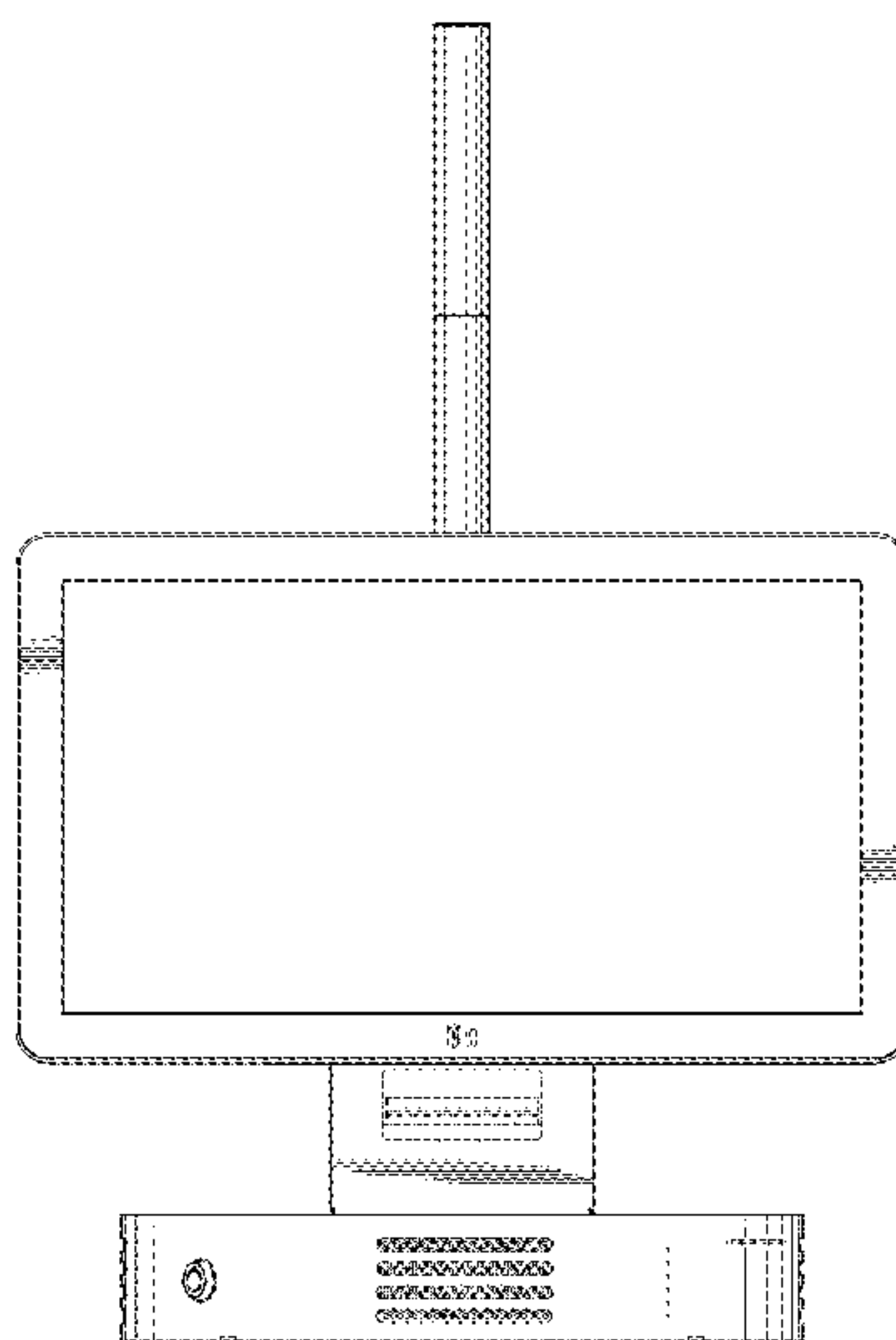
(57) **CLAIM**

We claim the ornamental design for a gaming machine desk top terminal, as shown and described.

DESCRIPTION

FIG. 1 is a front elevational view of the gaming machine desk top terminal according to the present invention; FIG. 2 is a right side elevational view thereof; FIG. 3 is a top, front, right side perspective view thereof; and, FIG. 4 is a top plan view thereof. No claim is made to the bottom surface of the gaming machine desk top terminal. The broken line showing of portions of the gaming machine desk top terminal depicts environment and forms no part of the claimed design.

1 Claim, 4 Drawing Sheets



(56)

References Cited

U.S. PATENT DOCUMENTS

D732,520 S * 6/2015 Themann D14/307
D740,887 S * 10/2015 Randazzo D21/370
9,679,435 B2 * 6/2017 Schrementi G07F 17/3213
2010/0120541 A1 * 5/2010 Lesley G07F 17/32
463/46
2011/0136573 A1 * 6/2011 McComb A63F 13/08
463/31

OTHER PUBLICATIONS

Fusion by Zitro dated no date found. Found online [Aug. 21, 2018]<http://www.zitrogames.com/cabinets/> (Year: 0).*

* cited by examiner

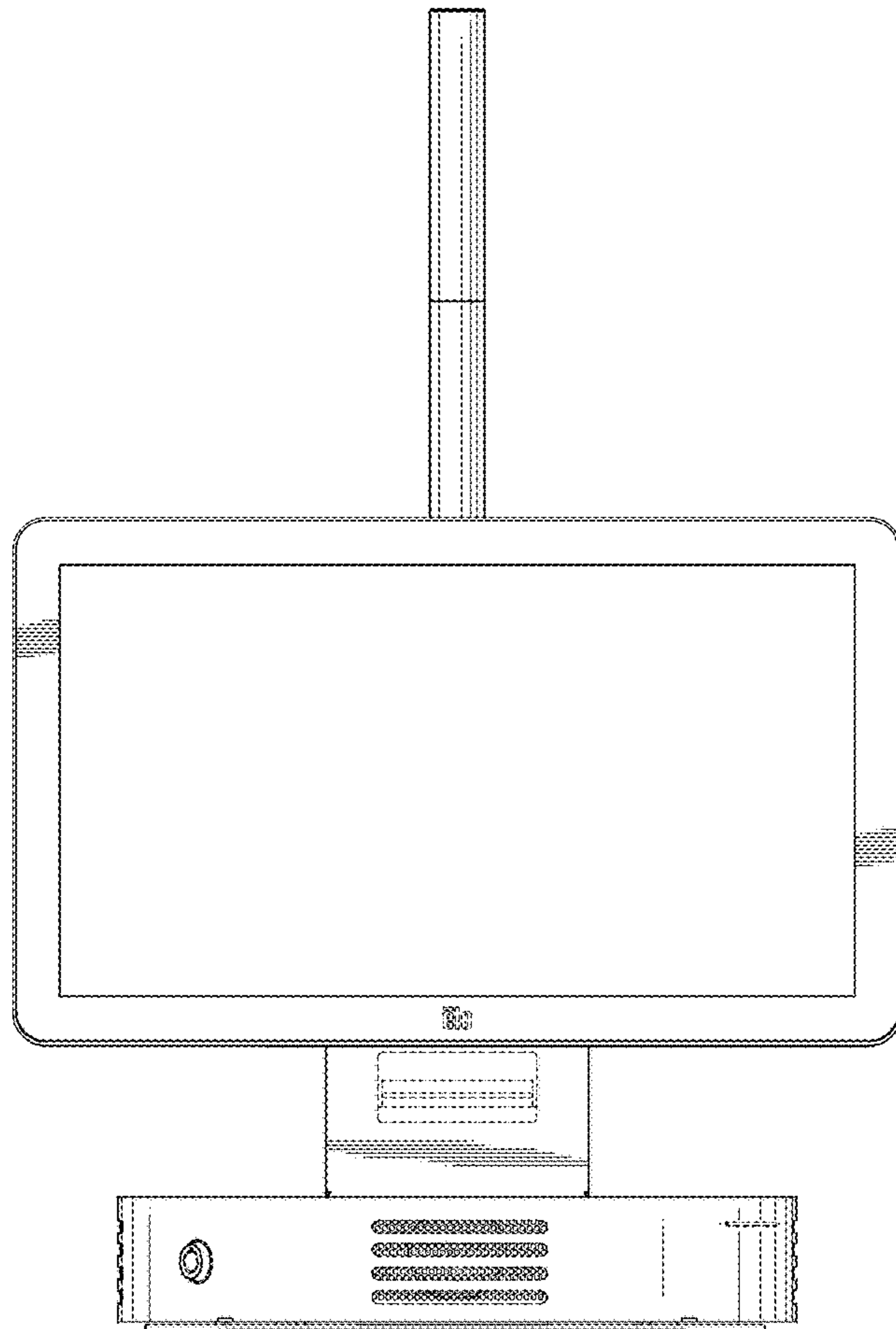


FIG. 1

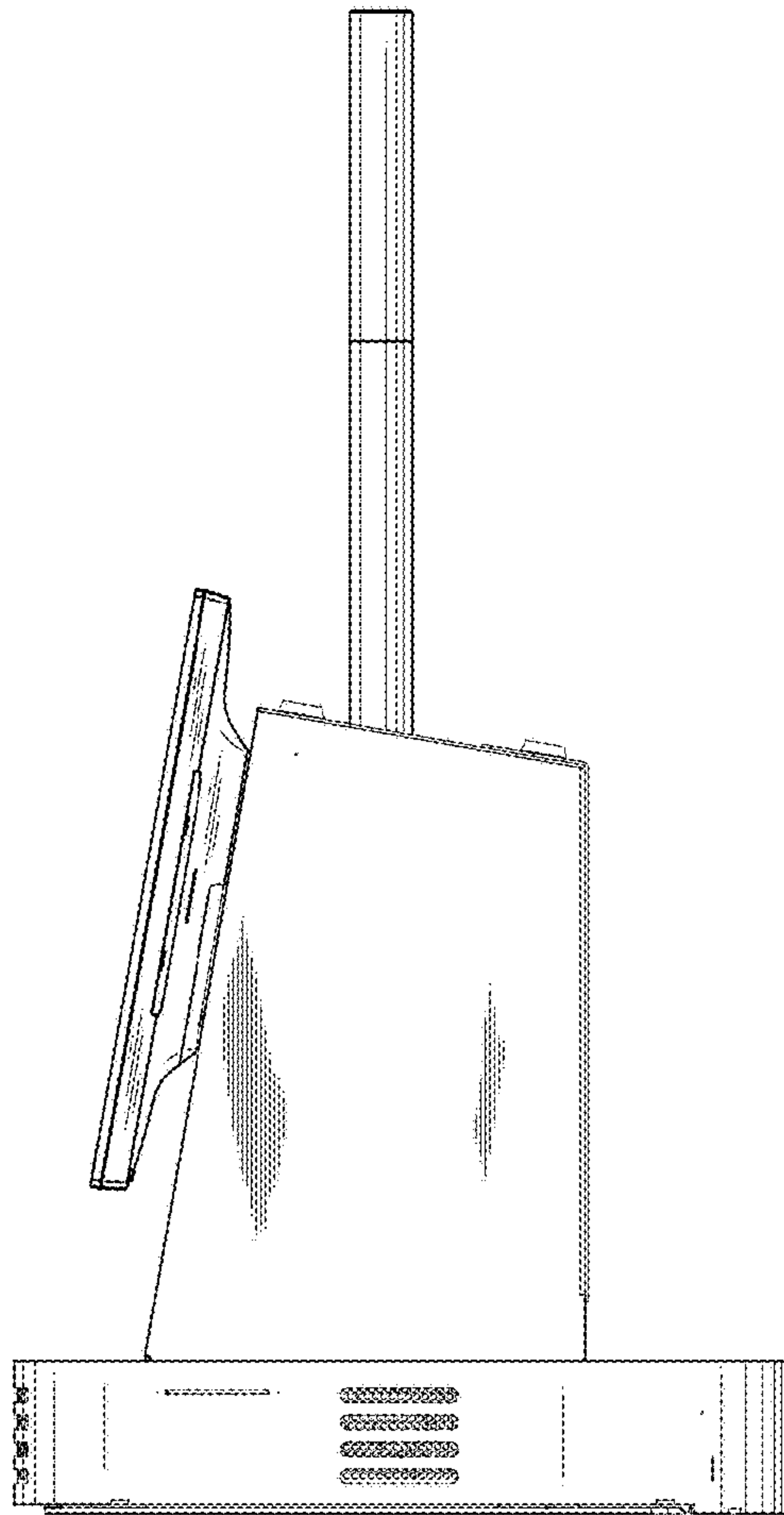


FIG.2

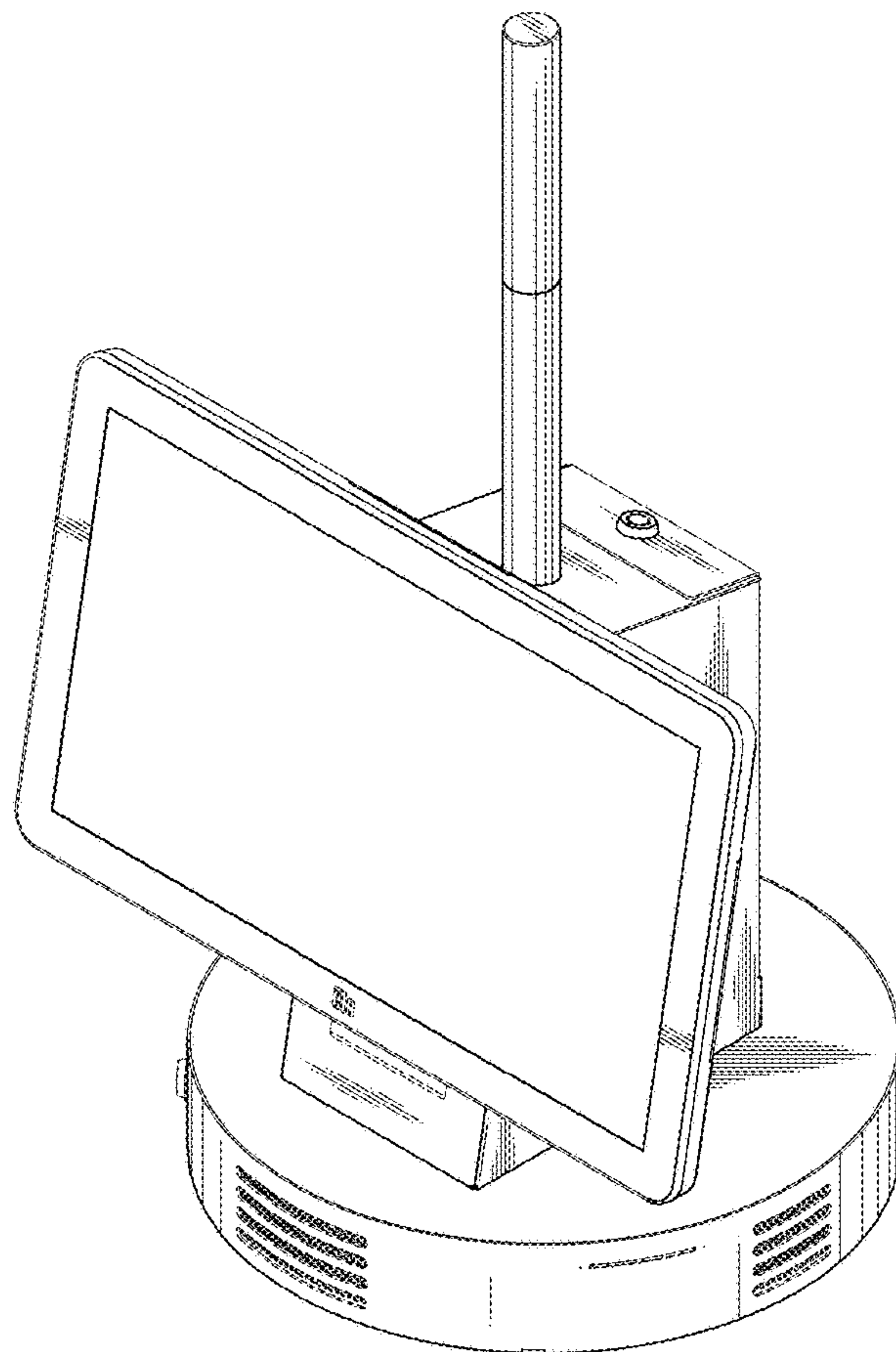


FIG.3

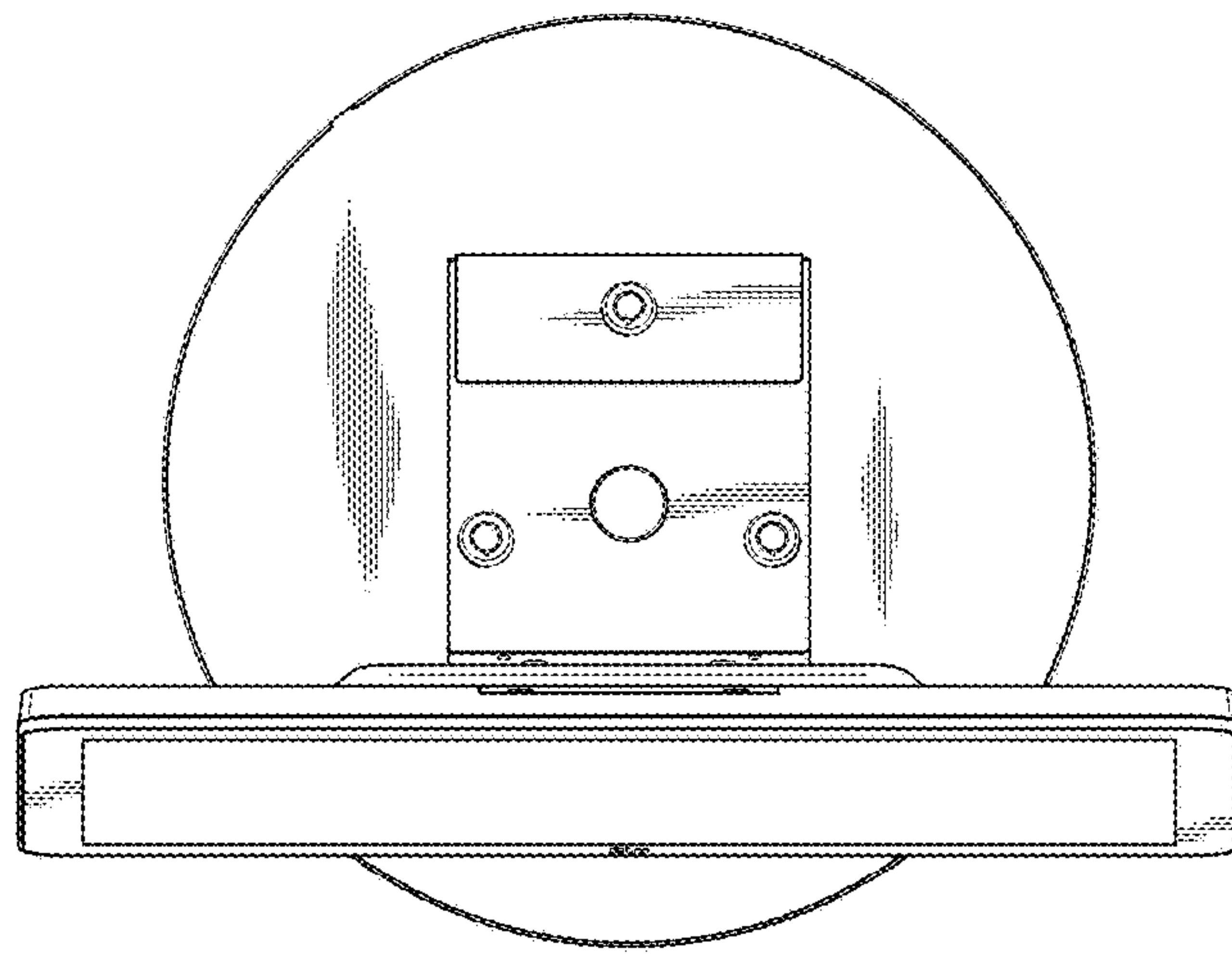


FIG. 4