



US00D864304S

(12) **United States Design Patent**
Macadam

(10) **Patent No.:** **US D864,304 S**
(45) **Date of Patent:** **** Oct. 22, 2019**

(54) **GAME PLAYING APPARATUS**

(71) Applicant: **Winning Moves UK Limited**, London (GB)

(72) Inventor: **Ashley Elizabeth Macadam**, London (GB)

(73) Assignee: **Winning Moves UK Limited**, London (GB)

(**) Term: **15 Years**

(21) Appl. No.: **29/593,312**

(22) Filed: **Feb. 8, 2017**

(30) **Foreign Application Priority Data**

Aug. 8, 2016 (EM) 003335199-0001

(51) **LOC (12) Cl.** **21-01**

(52) **U.S. Cl.**
USPC **D21/337**

(58) **Field of Classification Search**
USPC D21/334, 336, 337, 338, 341, 349, 386, D21/388, 389, 342, 346, 392; 273/236, 273/241, 242, 260, 287, 288, 290, 148 R, 273/309, 282.1, 283, 271, 272, 275, 264, 273/276, 261, 281, 282.2, 282.3, 239, 273/294, 285, 153 R, 157 R, 357; D19/64; 434/188, 190, 191, 205
CPC A63F 3/00173; A63F 3/00261; A63F 3/00542; A63F 3/00697; A63F 3/02; A63F 2003/0022; A63F 2003/00223; A63F 2003/0023; A63F 2003/00406; A63F 2003/0041; A63F 2003/00457; A63F 2003/00533; A63F 2003/00536; A63F 2003/00539; A63F 2003/00558; A63F 2003/00599; A63F 2003/007; A63F 2003/00842; A63F 2003/00845; G09B 19/02

See application file for complete search history.

(56) **References Cited**

U.S. PATENT DOCUMENTS

D31,418 S *	8/1899	Wilson	D21/337
919,148 A *	4/1909	Flint et al.	A63F 3/00574
			273/260
1,682,686 A *	8/1928	Rutherford	G09B 17/00
			434/172
1,867,888 A *	7/1932	Obidine	G09B 19/02
			235/89 R
1,942,291 A *	1/1934	Jefferson	A63F 3/00075
			242/118.32
2,191,991 A *	2/1940	Lloyd	A63F 3/00176
			273/242
D147,906 S *	11/1947	Inglis	273/242
D157,472 S *	2/1950	Drazan	D19/20
2,503,130 A *	4/1950	Poritz	G09B 3/04
			434/349
2,757,934 A *	8/1956	Dunbar	A63F 3/0423
			273/272

(Continued)

Primary Examiner — Susan Moon Lee

(74) *Attorney, Agent, or Firm* — Barkume & Associates, P.C.; Anthony R Barkume

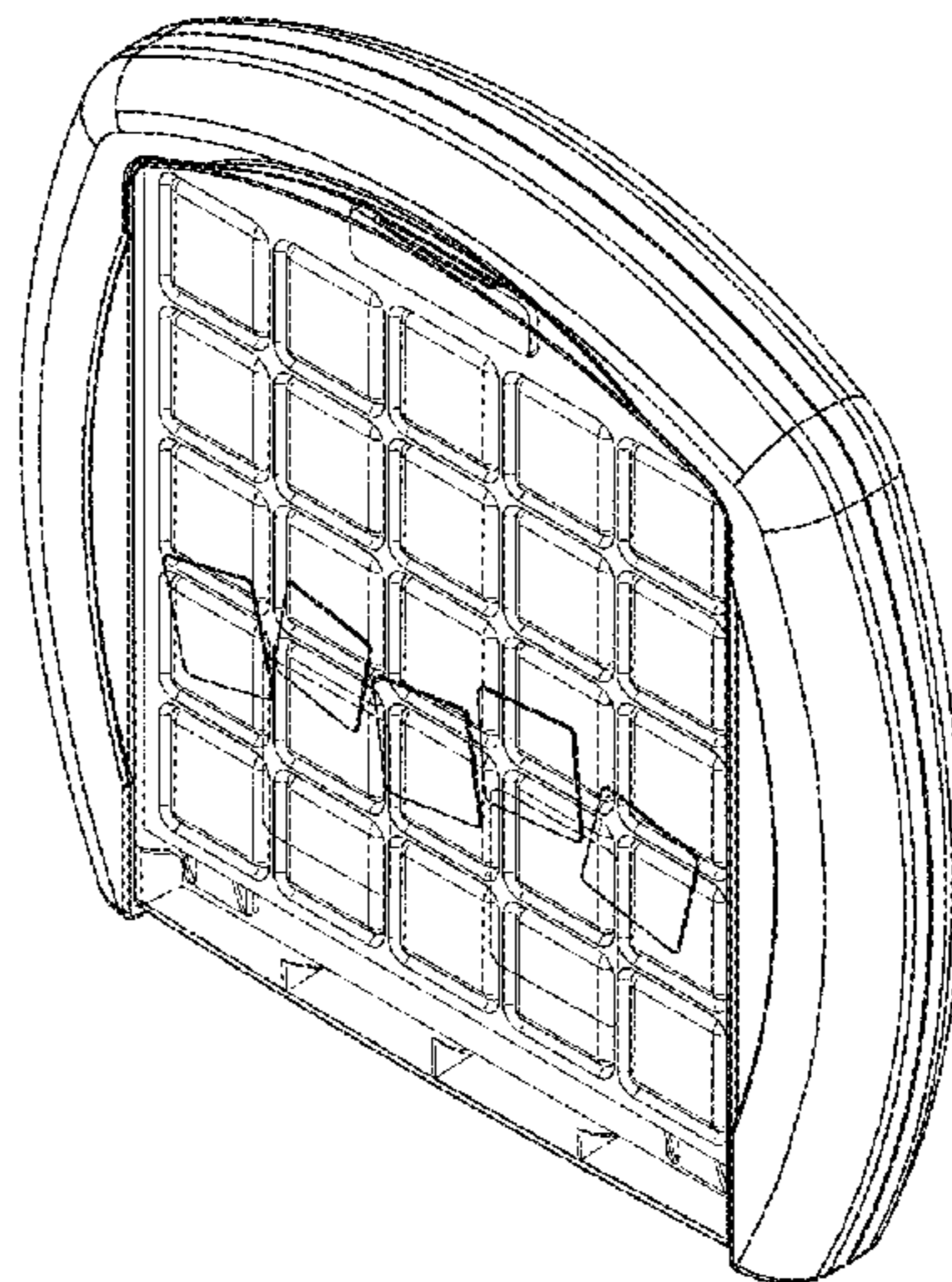
(57) **CLAIM**

The ornamental design for a game playing apparatus, as shown and described.

DESCRIPTION

FIG. 1 is a perspective view of a game playing apparatus showing my new design;
FIG. 2 is a front view thereof, the opposite view being a mirror image thereof;
FIG. 3 is a left view thereof, the opposite view being a mirror image thereof;
FIG. 4 is a top plan view thereof; and,
FIG. 5 is a bottom plan view thereof.

1 Claim, 5 Drawing Sheets



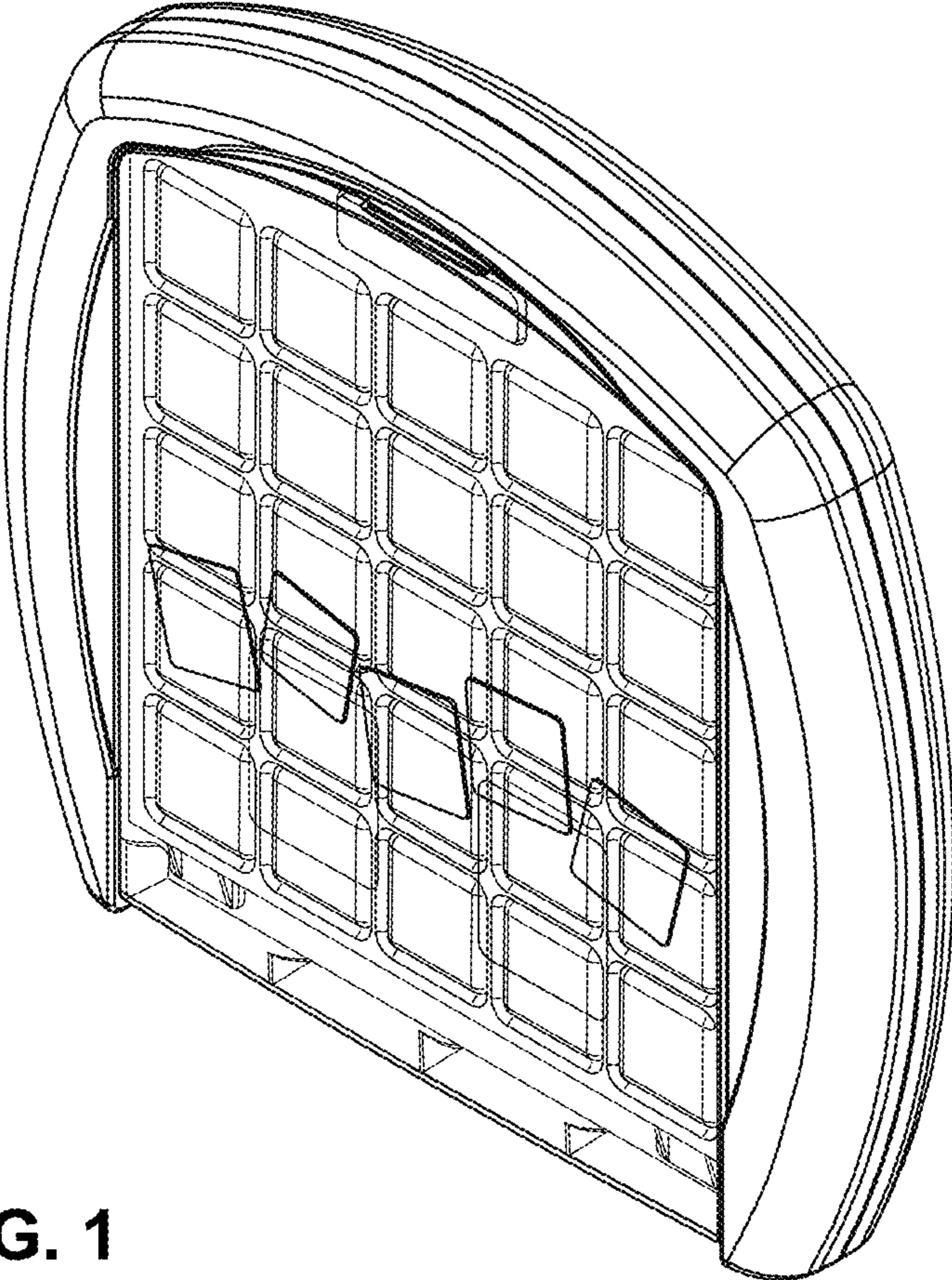


FIG. 1

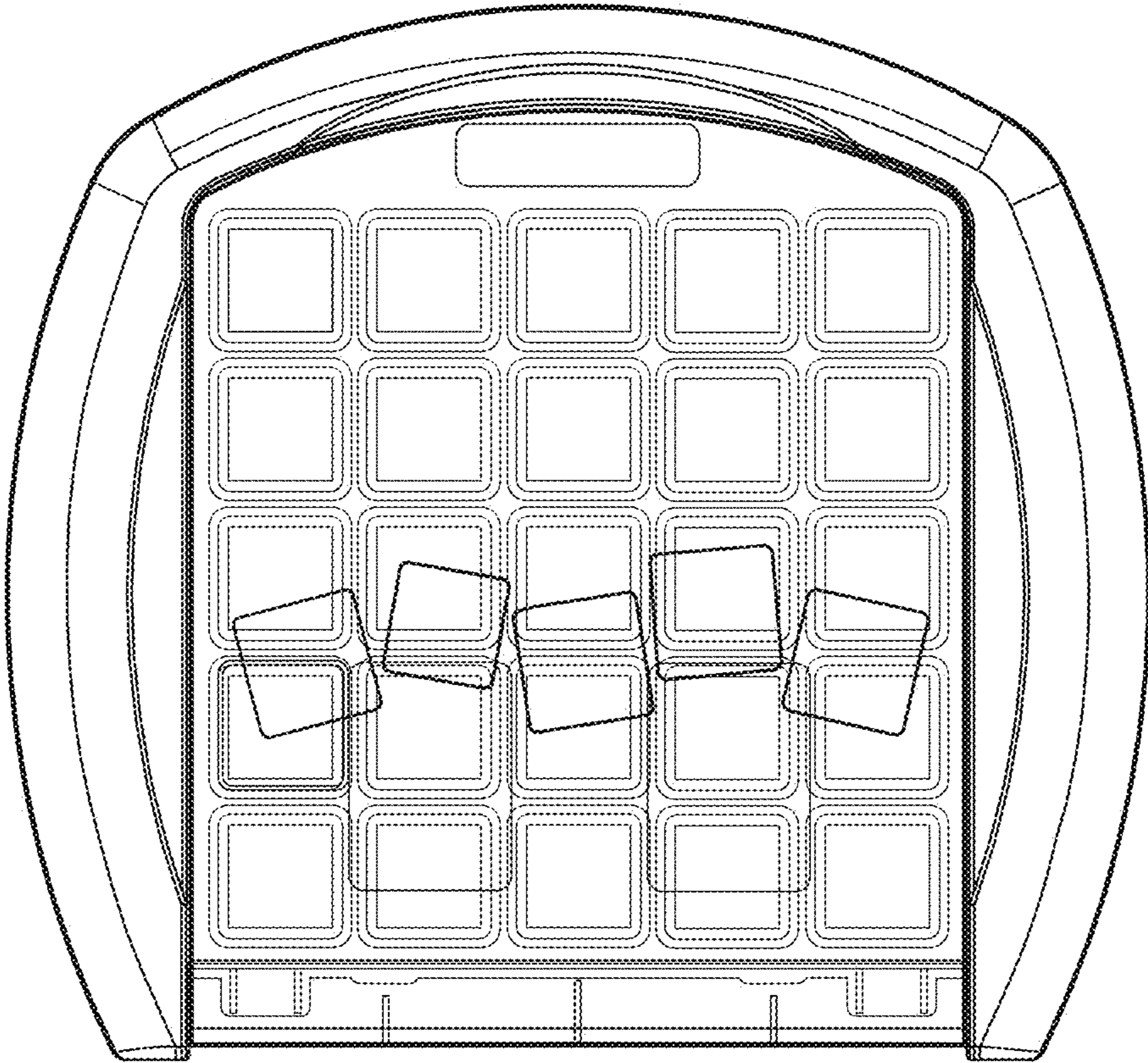


FIG. 2

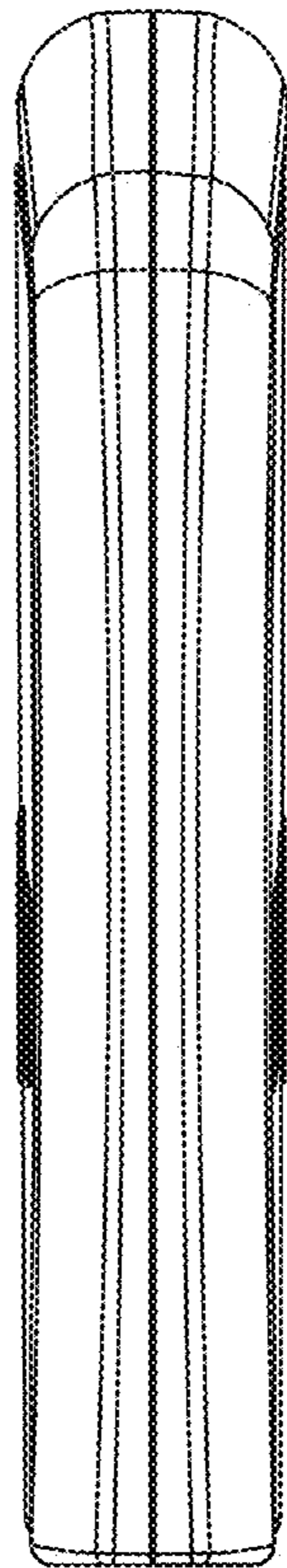


FIG. 3

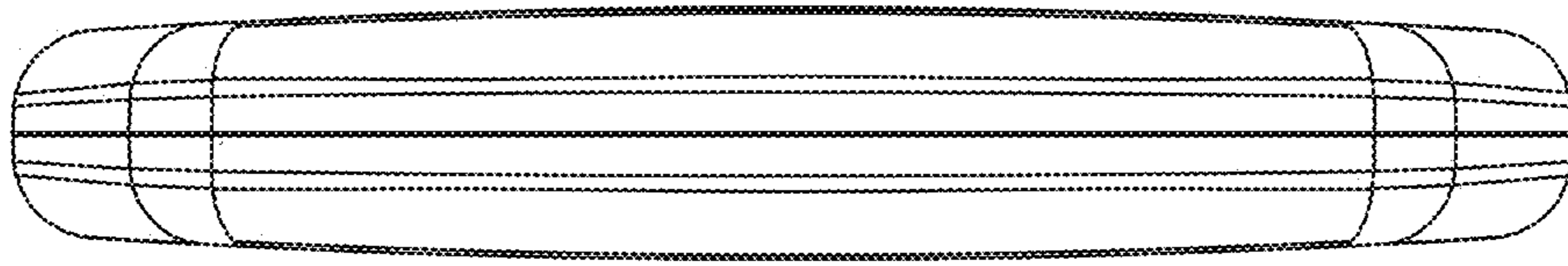


FIG. 4



FIG. 5