



US00D864298S

(12) **United States Design Patent** (10) **Patent No.:** **US D864,298 S**
Li (45) **Date of Patent:** **** Oct. 22, 2019**

(54) **PEN**
(71) Applicant: **Yuan Zhi Li**, Shenzhen (CN)
(72) Inventor: **Yuan Zhi Li**, Shenzhen (CN)
(73) Assignee: **Hanvon Ugee Technology Co., Ltd.**,
Shenzhen, Guangdong Province (CN)
(**) Term: **15 Years**
(21) Appl. No.: **29/619,443**
(22) Filed: **Sep. 29, 2017**
(51) **LOC (12) Cl.** **19-06**
(52) **U.S. Cl.**
USPC **D19/177; D19/928**
(58) **Field of Classification Search**
USPC D19/115-204, 65, 66, 67, 68, 69;
D14/411; D8/82-84, 107; D6/515;
D9/734
CPC . B43K 5/005; B43K 7/12; B43K 8/04; B43K
8/06; B43K 19/00; B43K 19/02; B43K
19/14; B43K 21/006; B43K 21/06; B65H
35/00; B65H 35/0006; B65H 35/002;
B65H 35/0026; B65H 35/0033; B65H
35/0053; B65H 35/0073; B65H 35/008;
B65H 35/06
See application file for complete search history.

(56) **References Cited**
U.S. PATENT DOCUMENTS
D81,756 S * 8/1930 Most D19/121
2,068,487 A * 1/1937 Gorrell B43K 29/02
15/430
D114,530 S * 5/1939 Deli et al. D19/165
2,183,350 A * 12/1939 Goessling B43K 21/003
24/11 F
D133,540 S * 8/1942 Kahn D19/184

D155,285 S * 9/1949 Green et al. D19/173
2,715,388 A * 8/1955 Cofield, Jr. B43K 7/01
401/217
D214,828 S * 8/1969 Kroener D8/107
D236,917 S * 9/1975 Melnick D19/168
D383,162 S * 9/1997 Worthier D19/173
D399,255 S * 10/1998 Melnick D19/173
D587,310 S * 2/2009 Paslawski D19/185
D641,755 S * 7/2011 Rashid D14/411
D659,141 S * 5/2012 Watson D14/411
D671,167 S * 11/2012 Nichols D19/102
D681,113 S * 4/2013 Huang D19/185
D685,430 S * 7/2013 Zhang D19/186
D688,665 S * 8/2013 Huang D14/411
8,970,560 B2 * 3/2015 Keda B43K 23/12
345/179
D743,964 S * 11/2015 Swessi D14/411
D744,038 S * 11/2015 Wang D19/182
D781,293 S * 3/2017 Mitchell D14/411
D784,991 S * 4/2017 Chang D14/411
D822,763 S * 7/2018 Yochai D19/163
D825,566 S * 8/2018 Peterson D14/411

* cited by examiner

Primary Examiner — Elizabeth A. Albert

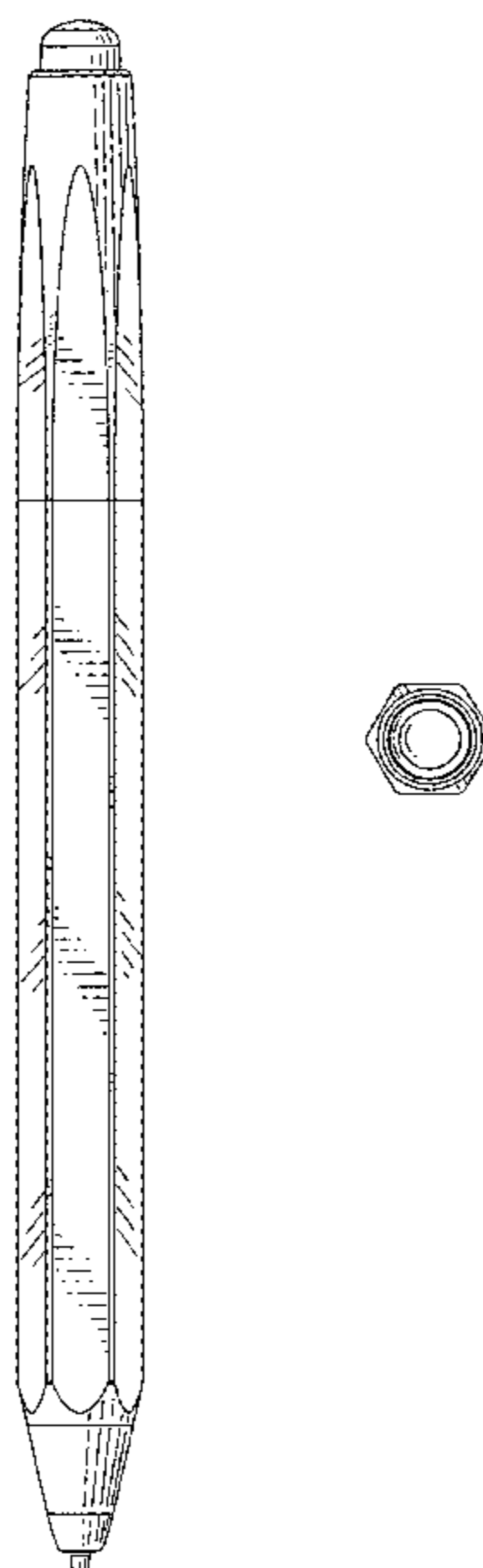
(57) **CLAIM**

The ornamental design for a pen, as shown and described.

DESCRIPTION

FIG. 1 is a perspective view of a pen showing my new design;
FIG. 2 is a front elevational view thereof;
FIG. 3 is a rear elevational view thereof;
FIG. 4 is a left side elevational view thereof;
FIG. 5 is a right side elevational view thereof;
FIG. 6 is a top plan view thereof;
FIG. 7 is a bottom plan view thereof;
FIG. 8 is an enlarged view of a portion of FIG. 1; and,
FIG. 9 is an enlarged view of a portion of FIG. 2.

1 Claim, 8 Drawing Sheets



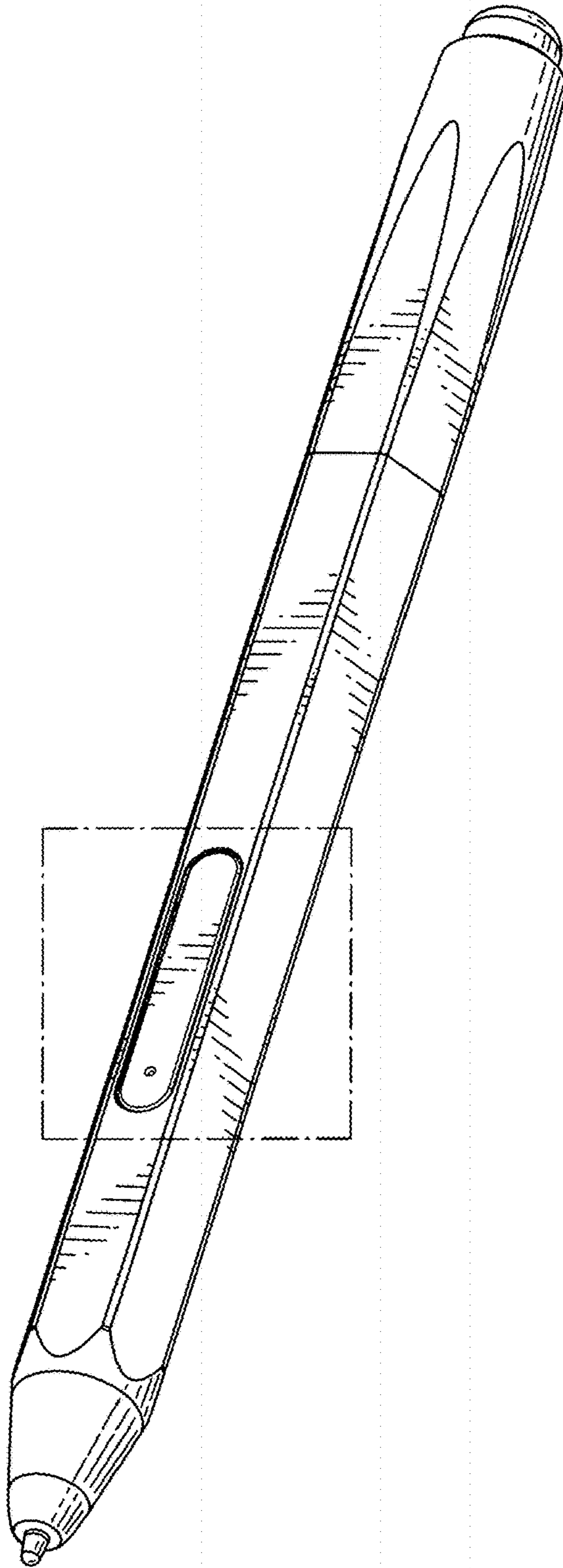


Fig. 1

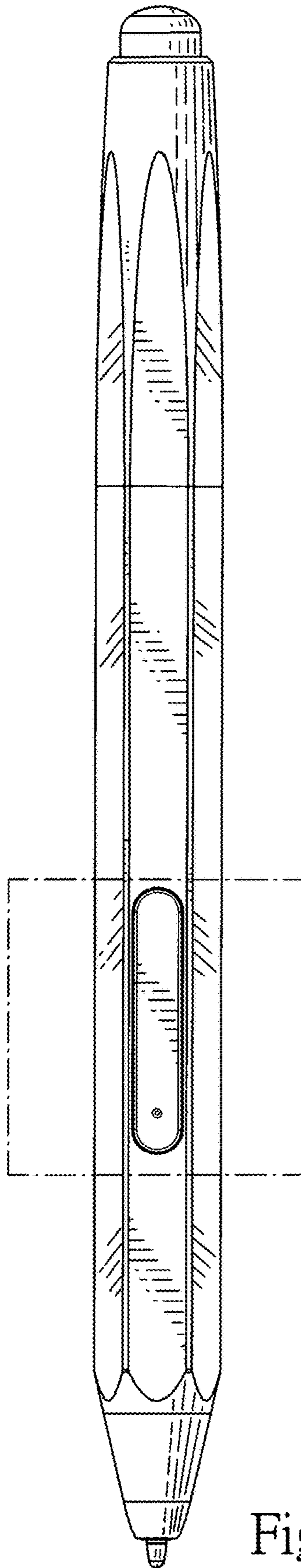


Fig.2

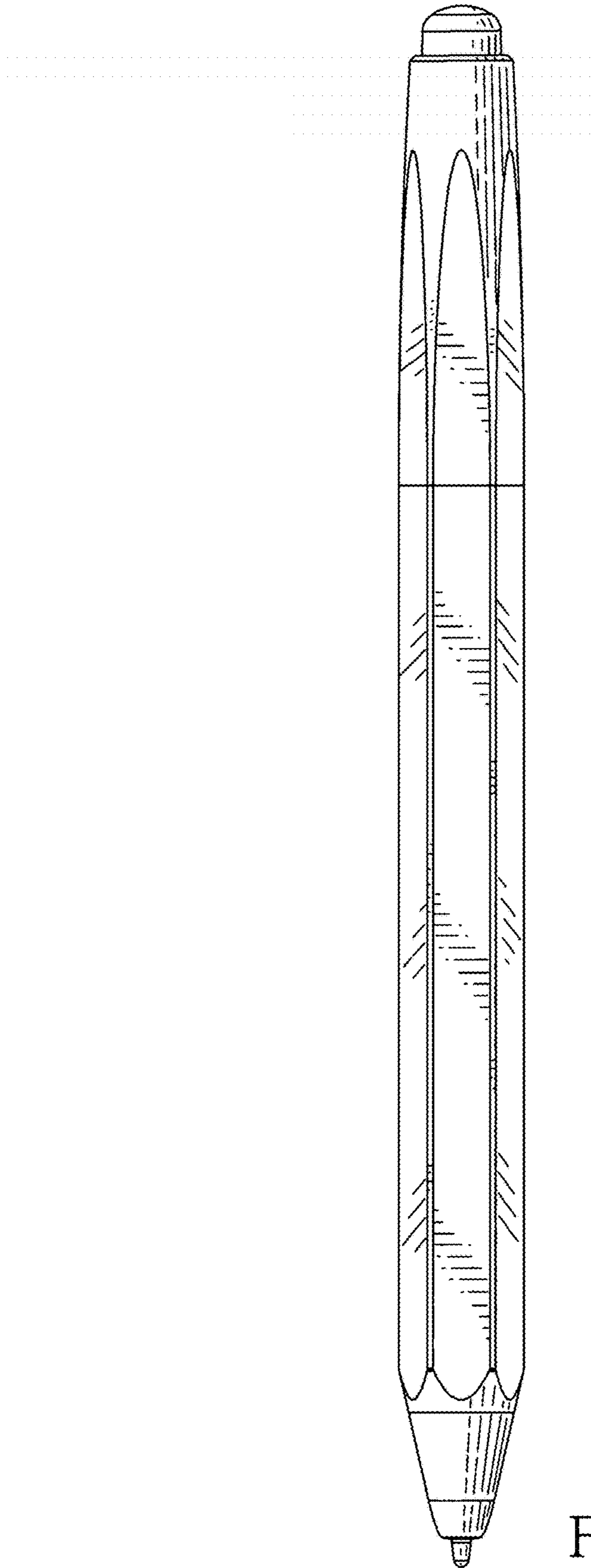


Fig.3

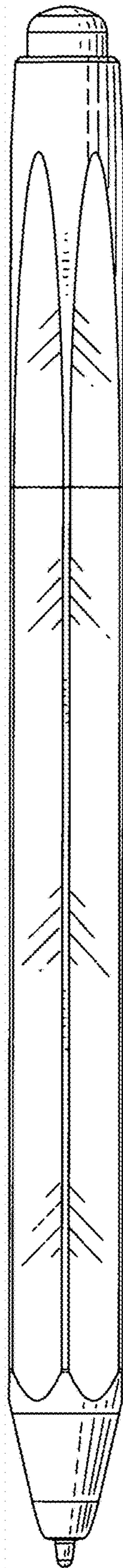


Fig.4

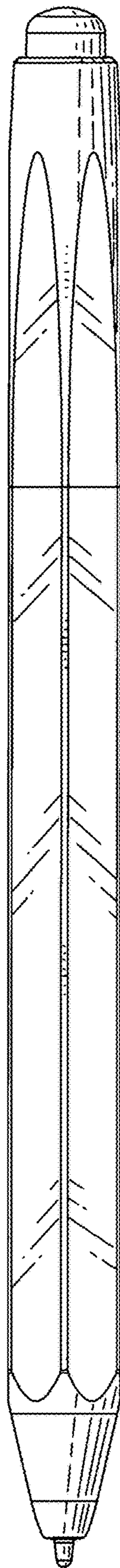


Fig.5

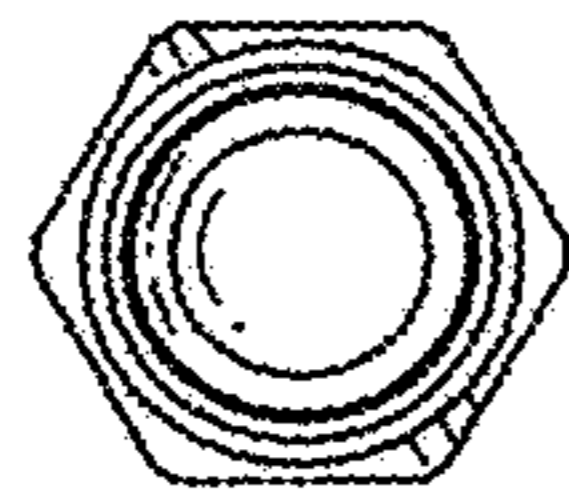


Fig.6

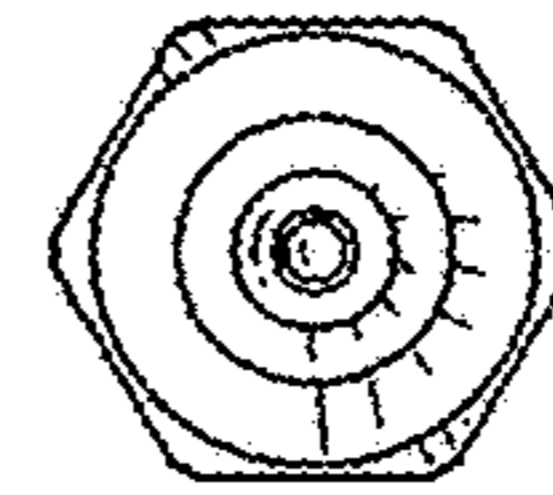


Fig.7

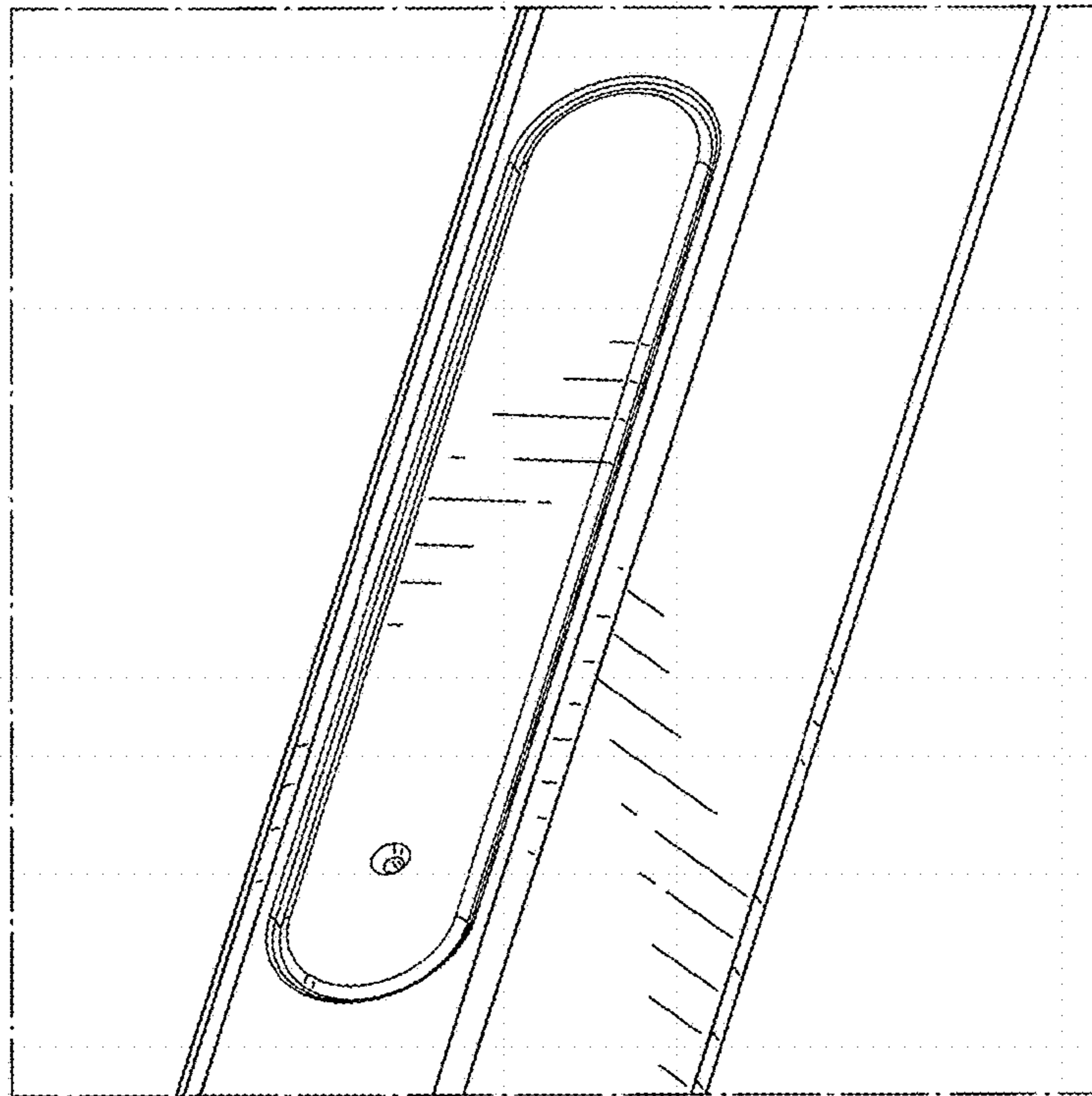


Fig.8

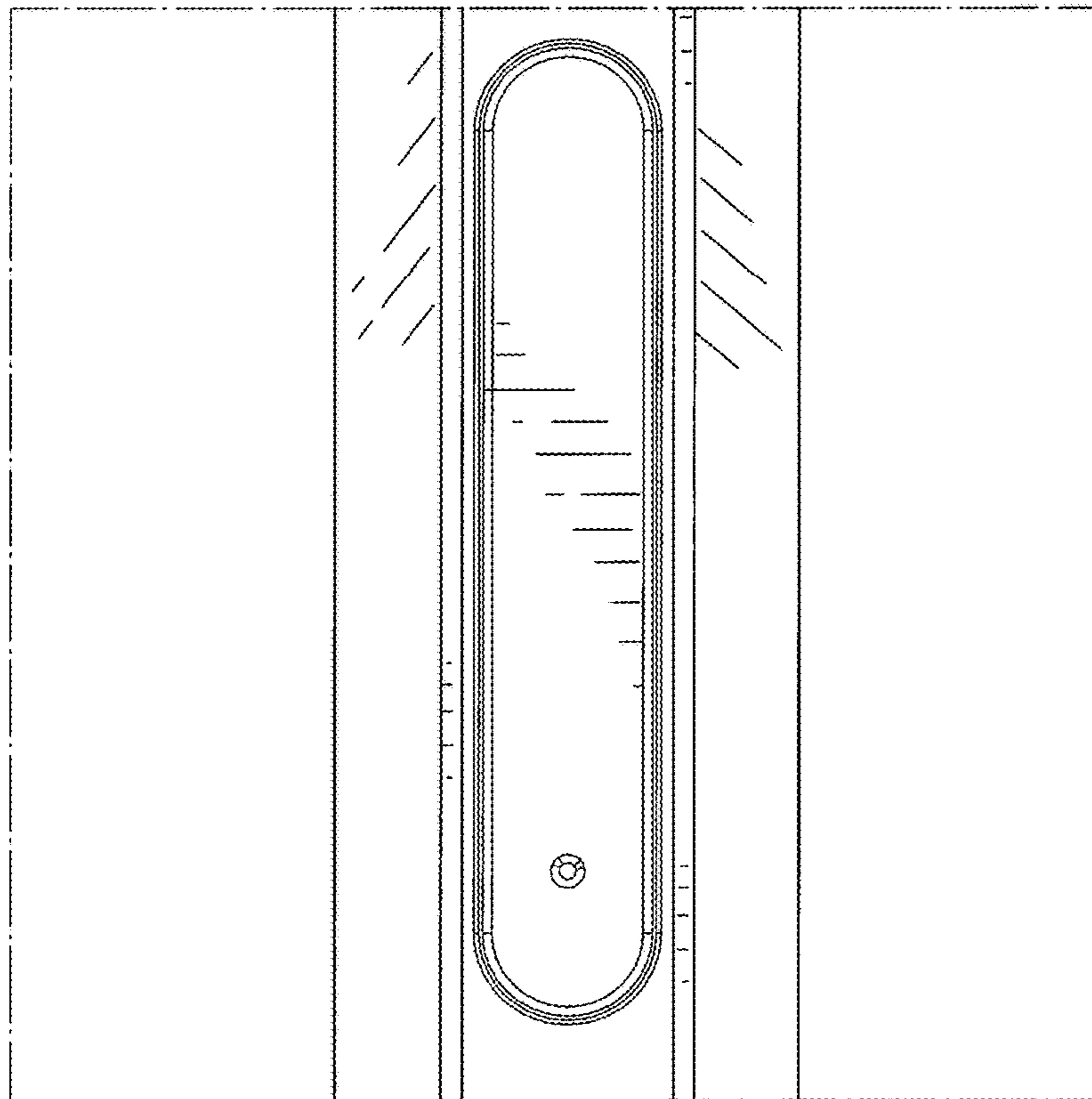


Fig.9