

US00D864297S

(12) **United States Design Patent**
Sirpal

(10) **Patent No.:** **US D864,297 S**

(45) **Date of Patent:** **** Oct. 22, 2019**

(54) **PEN WITH A SMARTPHONE STAND**

Primary Examiner — Elizabeth A. Albert

(71) Applicant: **Ranjiv Sirpal**, Brampton (CA)

(57) **CLAIM**

(72) Inventor: **Ranjiv Sirpal**, Brampton (CA)

I claim the ornamental design for a pen with a smartphone stand, as shown and described.

(**) Term: **15 Years**

DESCRIPTION

(21) Appl. No.: **29/625,721**

(22) Filed: **Nov. 13, 2017**

(51) **LOC (12) Cl.** **19-06**

(52) **U.S. Cl.**

USPC **D19/135**; D14/252

(58) **Field of Classification Search**

USPC D19/115–204, 77, 81–84; D14/411,
D14/251–254

CPC . B43K 5/005; B43K 7/12; B43K 8/04; B43K
8/06; B43K 19/00; B43K 19/02; B43K
19/14; B43K 21/006; B43K 21/06; F16M
11/14

See application file for complete search history.

FIG. 1 is a perspective view of a pen with a smartphone stand showing my new design;
FIG. 2 is a front elevational view thereof;
FIG. 3 is a rear elevational view thereof;
FIG. 4 is a right side elevational view thereof;
FIG. 5 is a left side elevational view thereof;
FIG. 6 is a top plan view thereof;
FIG. 7 is a bottom plan view thereof;
FIG. 8 is an exploded perspective view thereof, with the pen clip smartphone stand exposed;
FIG. 9 is a left elevational view of the pen clip thereof, shown without the lower part of the pen for convenience;
FIG. 10 is a front elevational view of the pen clip thereof;
and,
FIG. 11 is a rear elevational view of the pen clip thereof.
FIG. 12 is a perspective view thereof, with the pen clip extended into a smartphone stand;
FIG. 13 is a left elevational view of the pen clip in the extended position thereof;
FIG. 14 is a right elevational view of the pen clip in the extended position thereof.
FIG. 15 is a front elevational view of the pen clip in the extended position thereof;
FIG. 16 is a rear elevational view of the pen clip in the extended position thereof.
FIG. 17 is a top elevational view of the pen clip in the extended position thereof; and,
FIG. 18 is a bottom elevational view of the pen clip in the extended position thereof.
The broken lines depict environment subject matter only and form no part of the claim design.

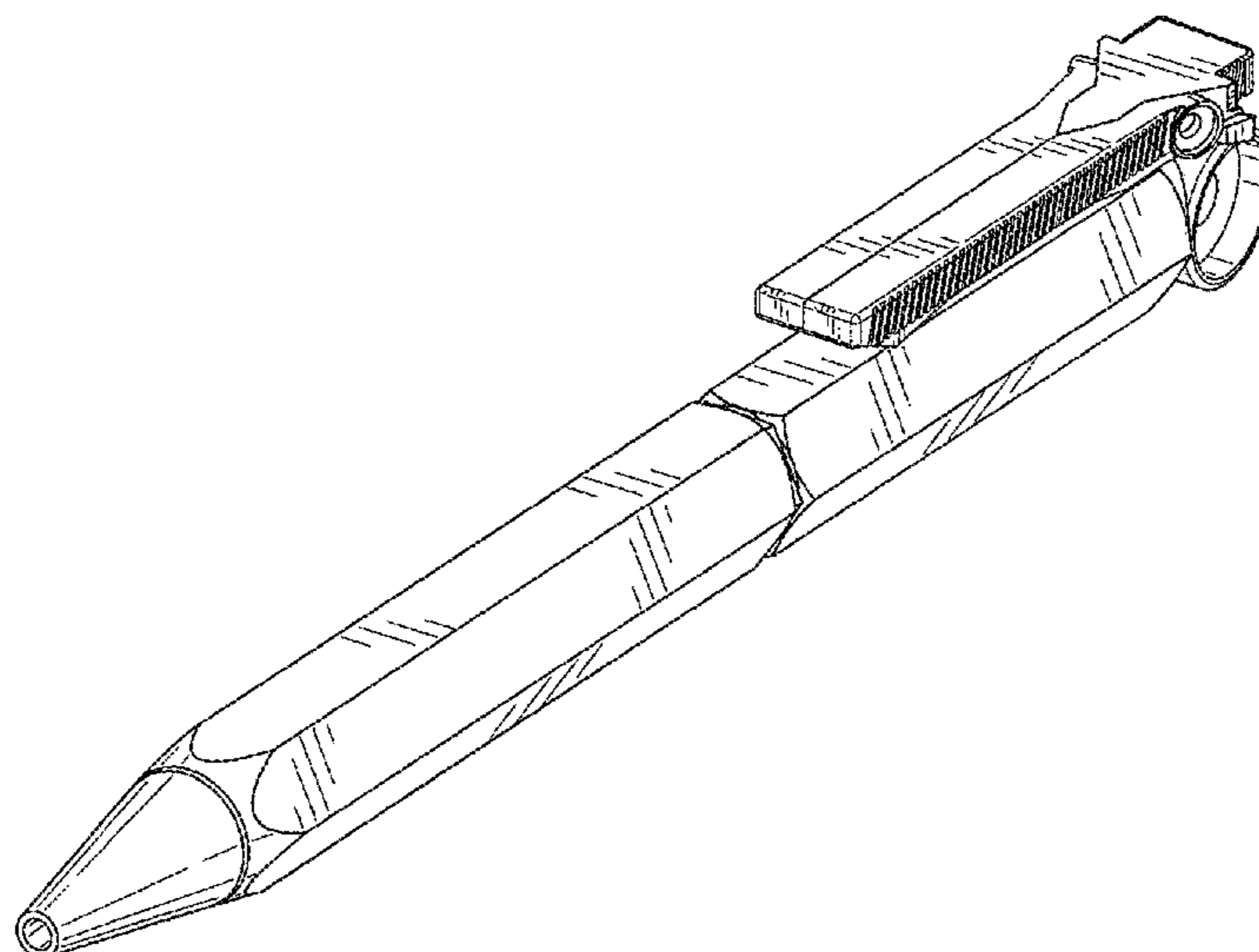
(56) **References Cited**

U.S. PATENT DOCUMENTS

1,862,822	A *	6/1932	Hill	B43K 25/02 24/11 F
D89,846	S *	5/1933	Anderson	D19/185
2,183,350	A *	12/1939	Goessling	B43K 21/003 24/11 F
D132,920	S *	6/1942	Christenson, Jr.	D19/174
D133,540	S *	8/1942	Kahn	D19/184
2,833,251	A *	5/1958	Boyle	B43K 24/14 401/17
4,648,698	A *	3/1987	Iwasaki	F16M 11/105 248/163.1
4,751,540	A *	6/1988	Jones	F16M 11/105 248/168
D299,243	S *	1/1989	Iwasaki	D16/244
D349,717	S *	8/1994	Akaike	D16/244
D349,914	S *	8/1994	Usui	D16/244
D350,970	S *	9/1994	Usui	D16/244

(Continued)

1 Claim, 13 Drawing Sheets



(56)

References Cited

U.S. PATENT DOCUMENTS

D357,493	S *	4/1995	Yotsuya	D16/244
5,915,871	A *	6/1999	Kobayashi	B43K 1/086
				401/202
D435,065	S *	12/2000	Nagel	D19/174
D443,896	S *	6/2001	Briggl	D19/172
D542,349	S *	5/2007	Anand	D19/172
D566,175	S *	4/2008	Qiu	D19/121
D575,818	S *	8/2008	Zhang	D19/169
D587,755	S *	3/2009	Cetera	D19/195
D593,605	S *	6/2009	Yu	D19/169
D601,195	S *	9/2009	Wang	D19/168
D601,627	S *	10/2009	Liu	D19/169
D604,765	S *	11/2009	Glesser	D19/157
D622,770	S *	8/2010	Shi	D19/164
D674,338	S *	1/2013	Au Yeung	D13/108
D741,397	S *	10/2015	Minn	D16/244
D758,491	S *	6/2016	Wang	D19/174
D778,975	S *	2/2017	Minn	D16/242
D807,701	S *	1/2018	Bo	D7/507
D826,328	S *	8/2018	Bo	D19/173
10,088,096	B2 *	10/2018	Minn	F16M 11/14
2012/0269503	A1 *	10/2012	Hale	F16M 11/14
				396/428

* cited by examiner

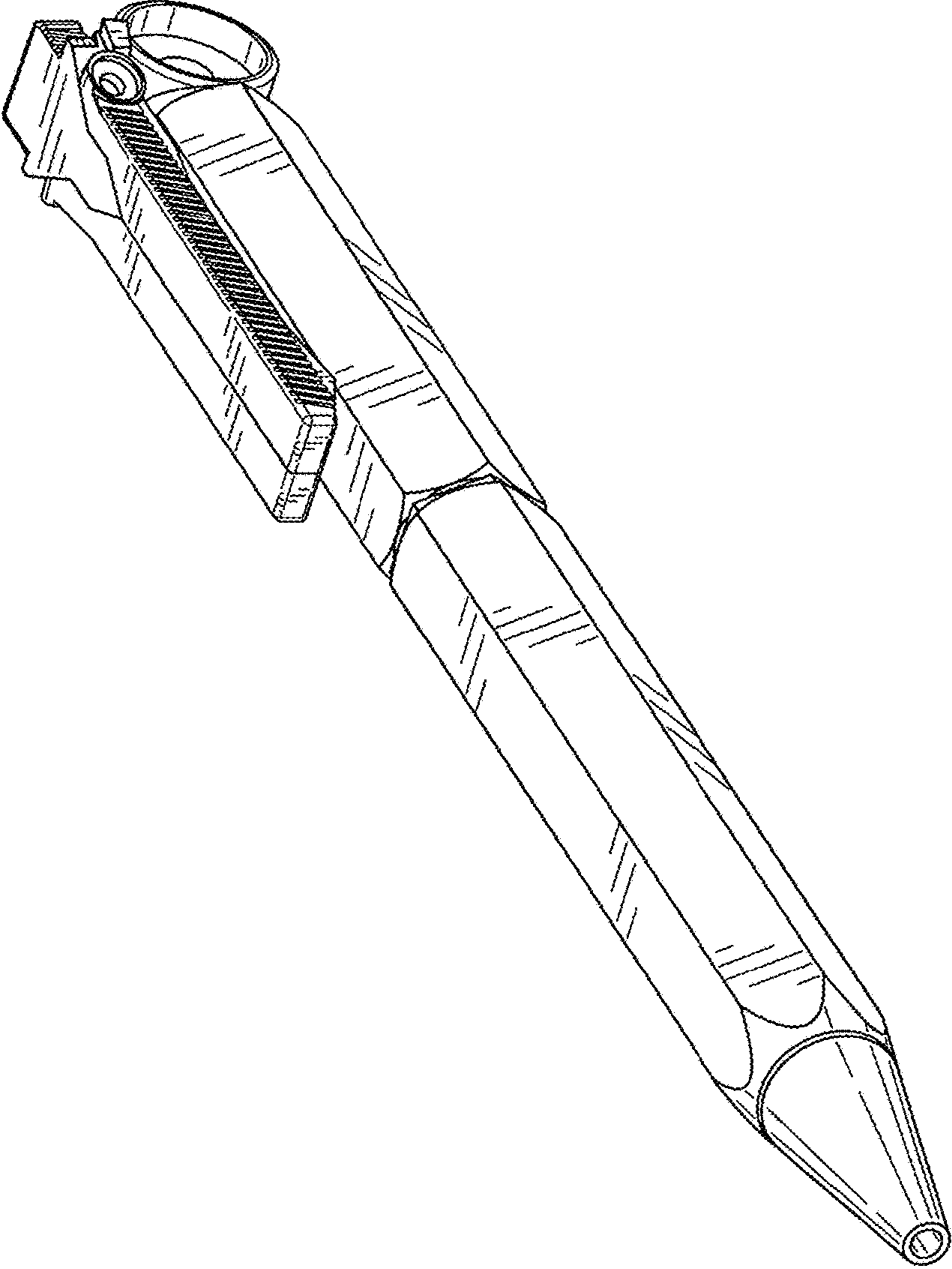


FIG. 1

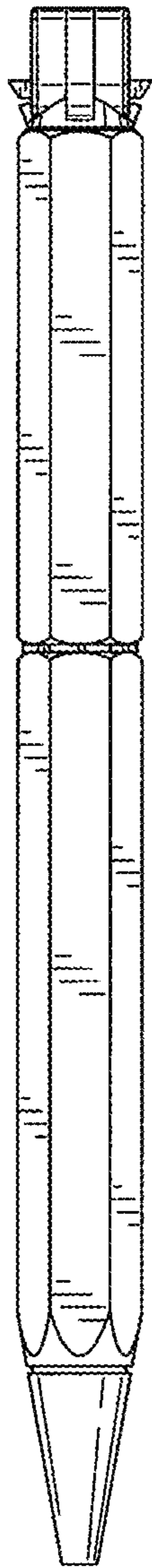


FIG. 2

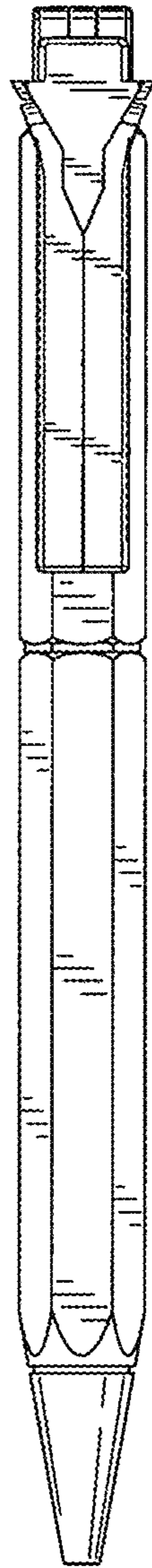


FIG. 3

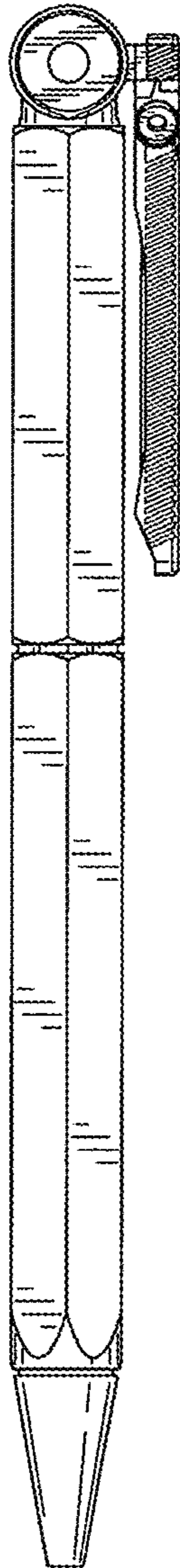


FIG. 4

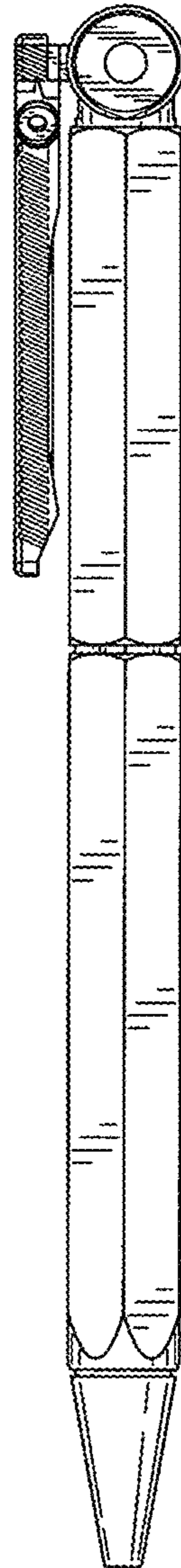


FIG. 5

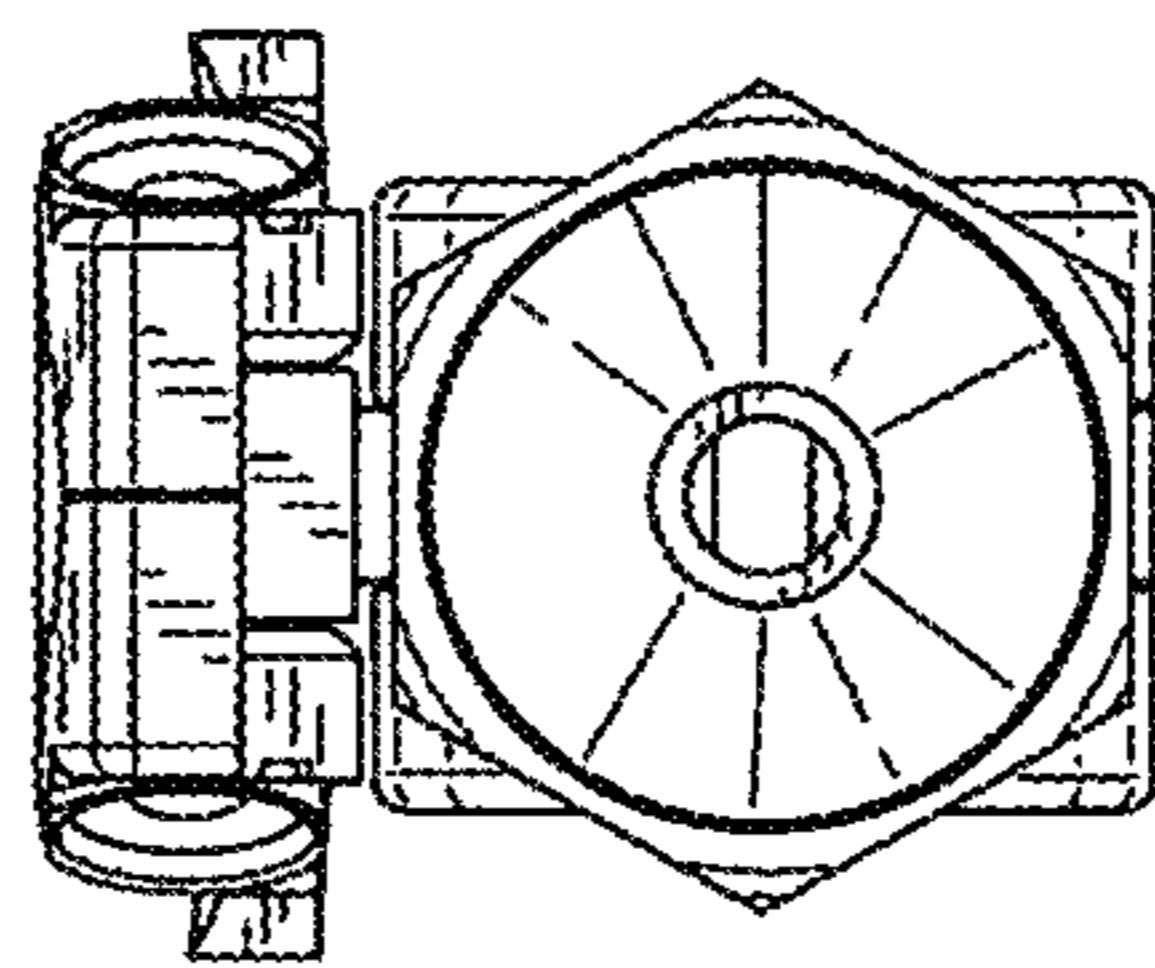


FIG. 7

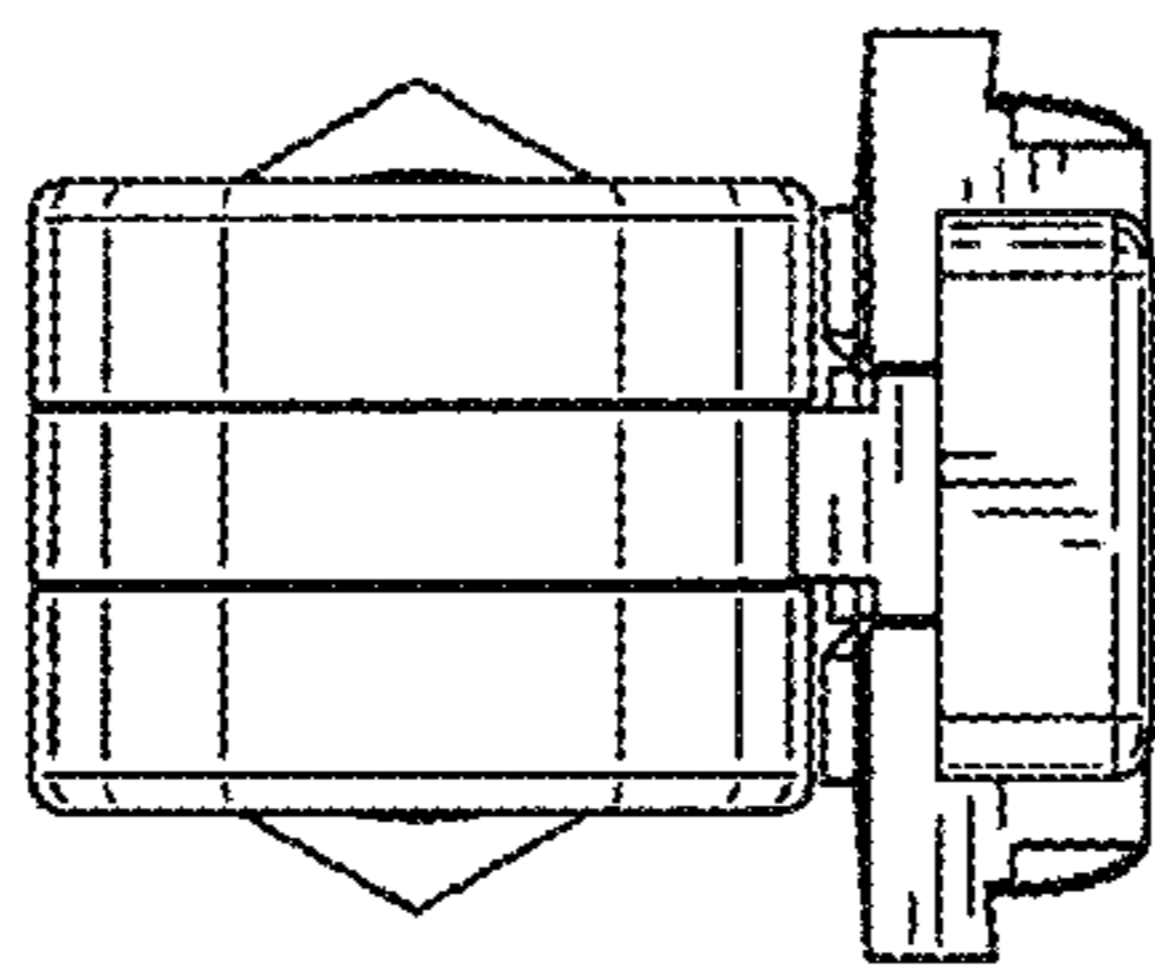


FIG. 6

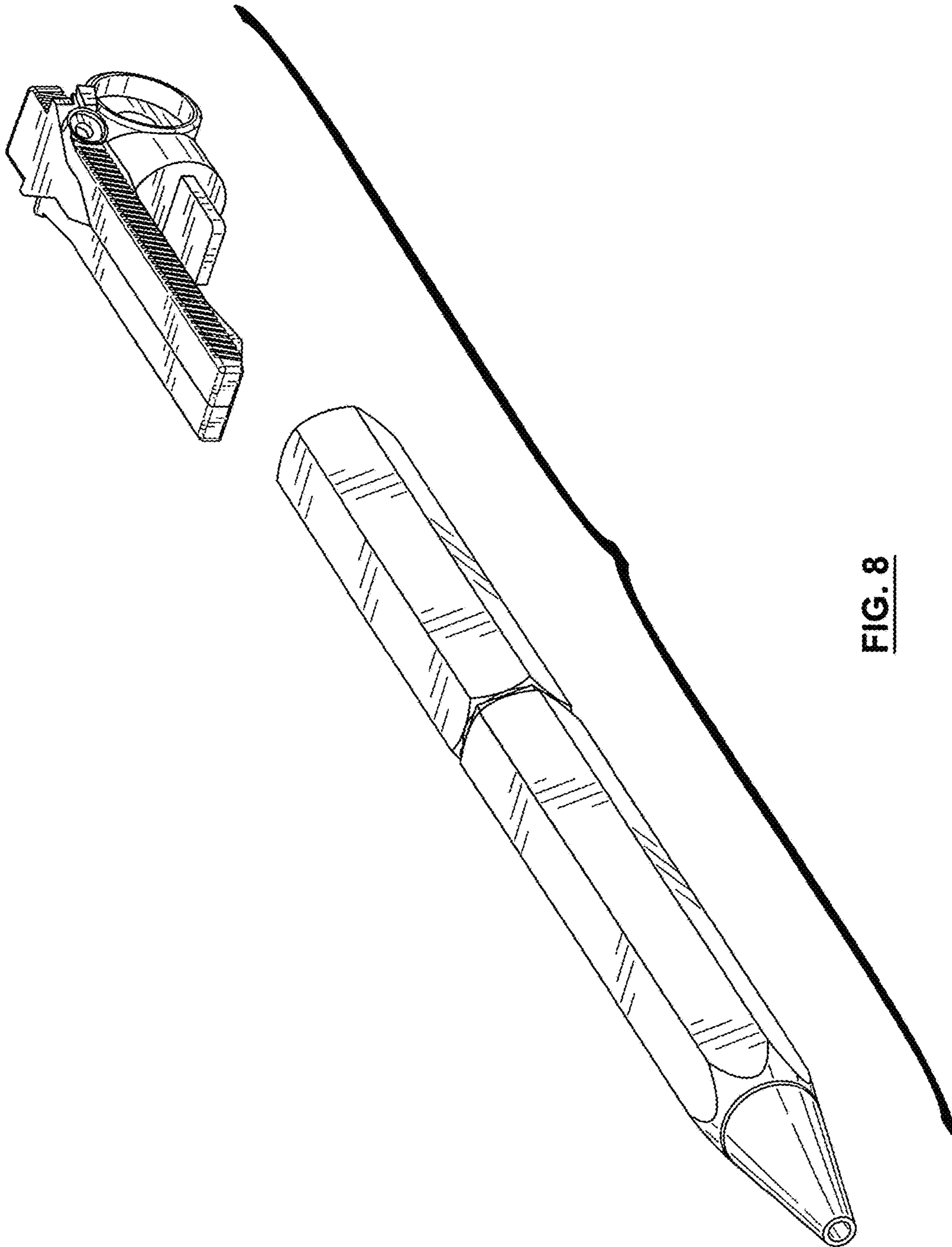


FIG. 8

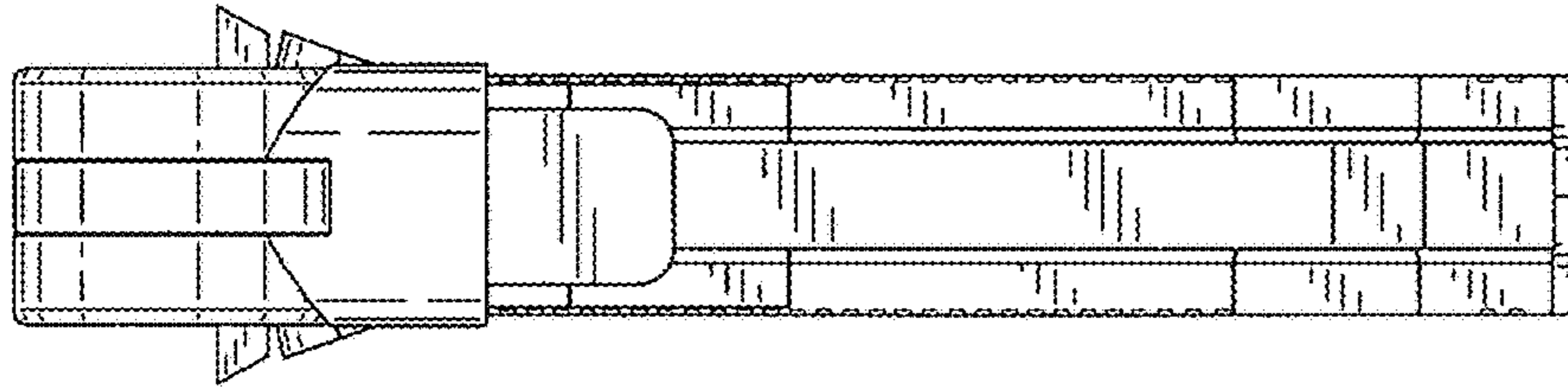


FIG. 11

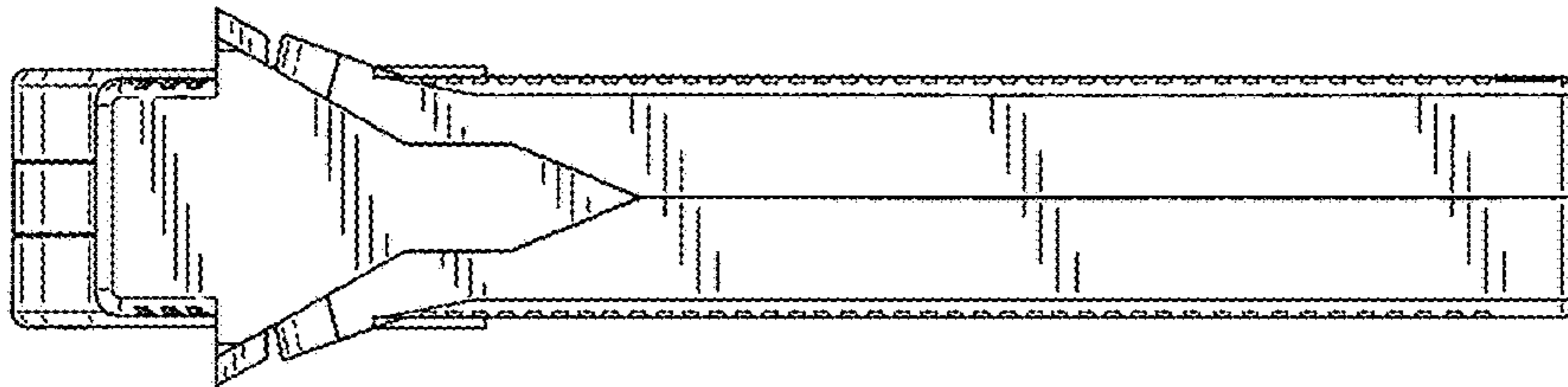


FIG. 10

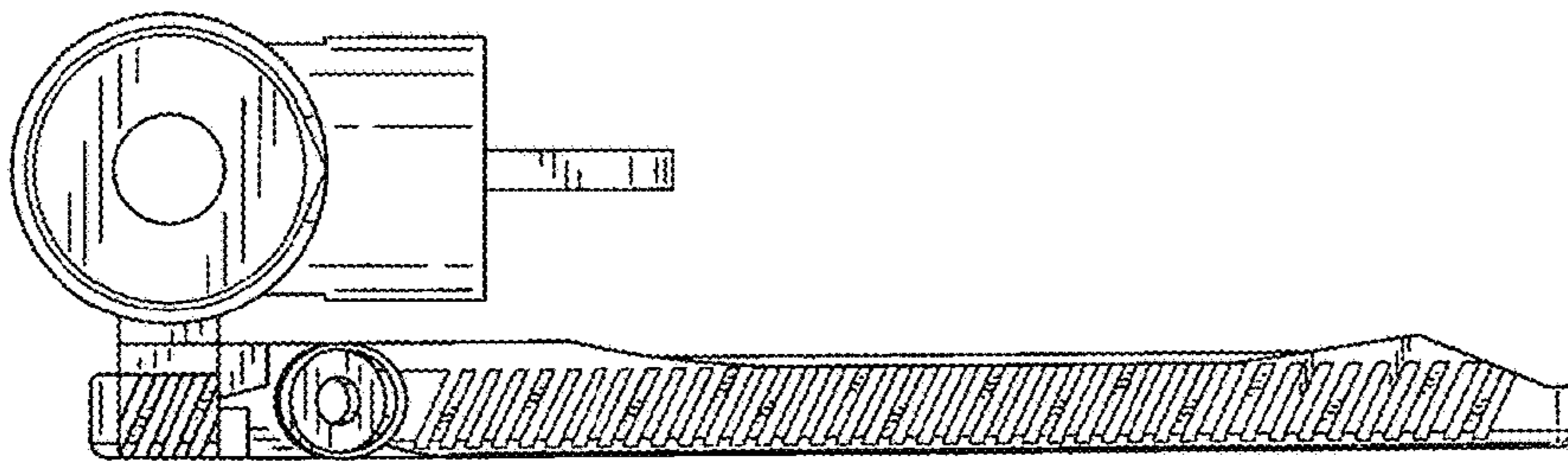


FIG. 9

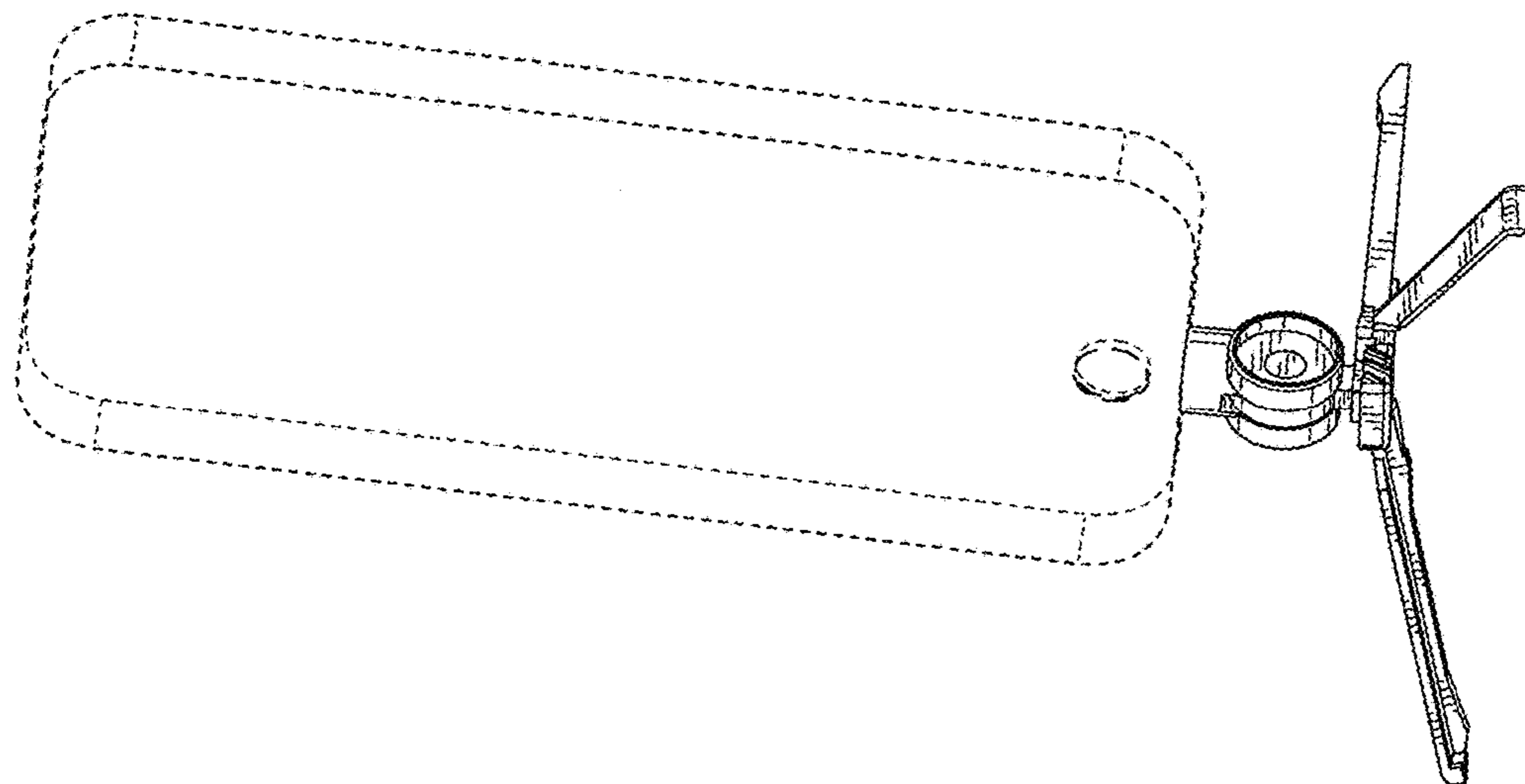


FIG. 12

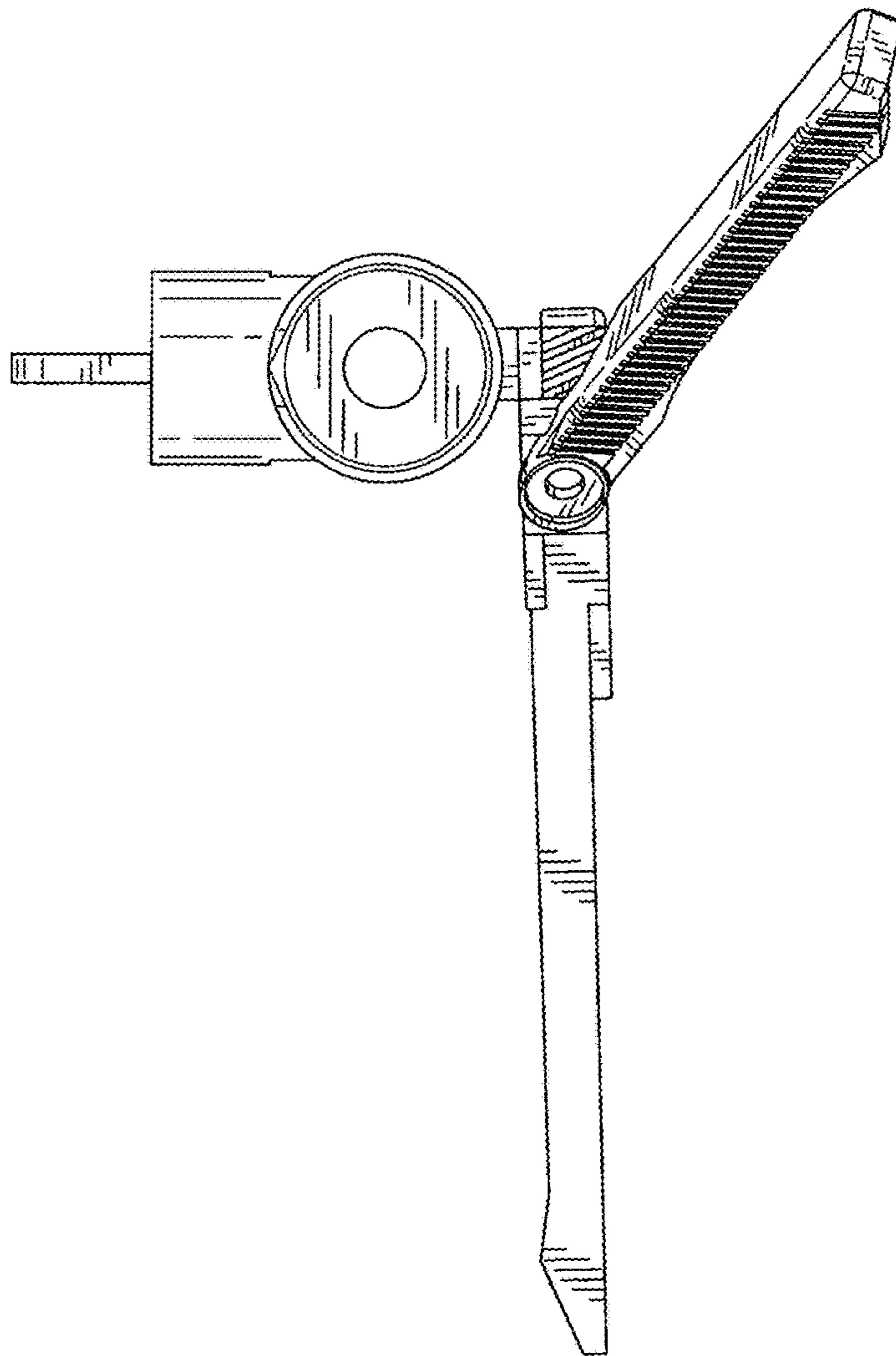


FIG. 13

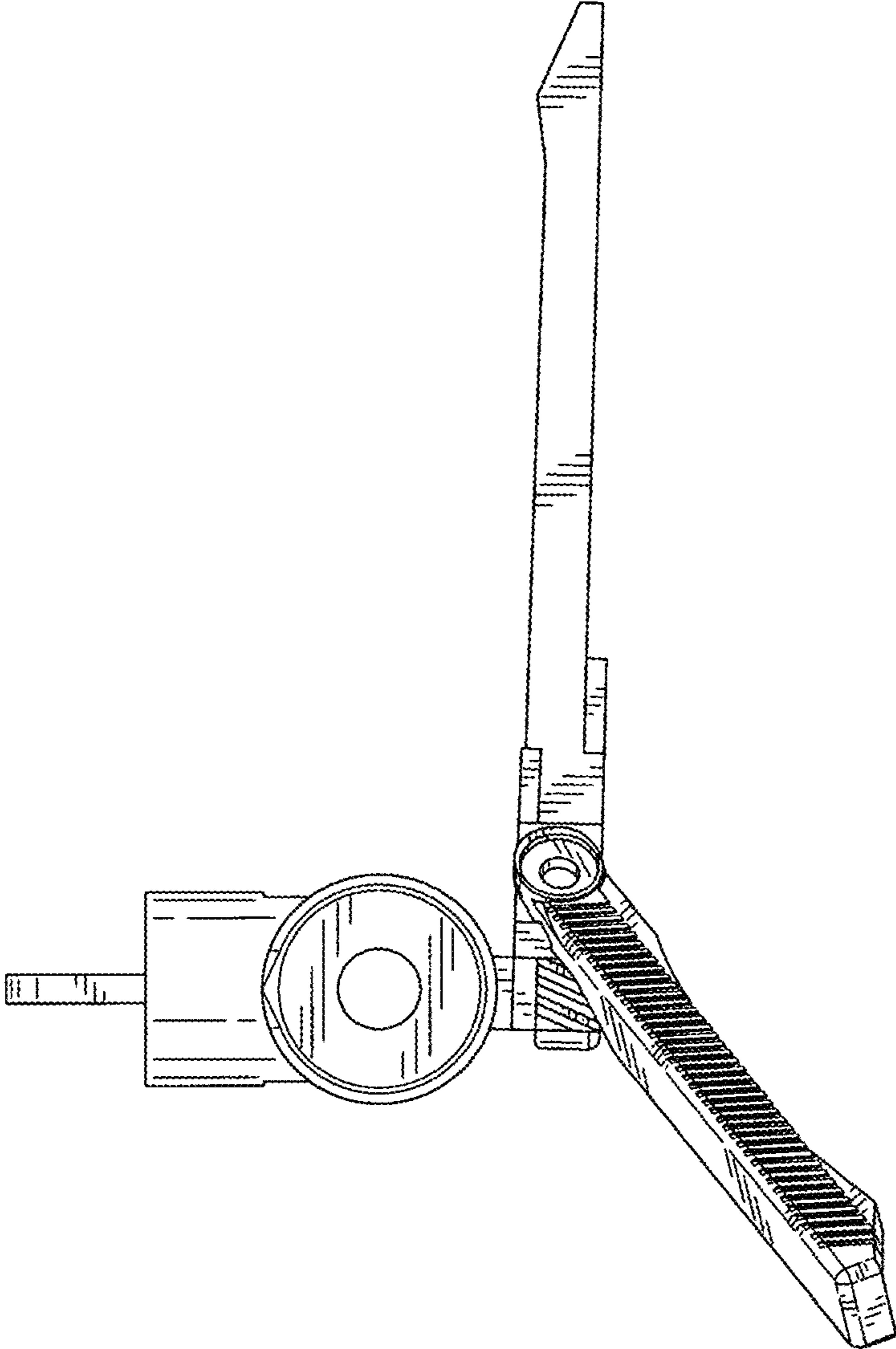


FIG. 14

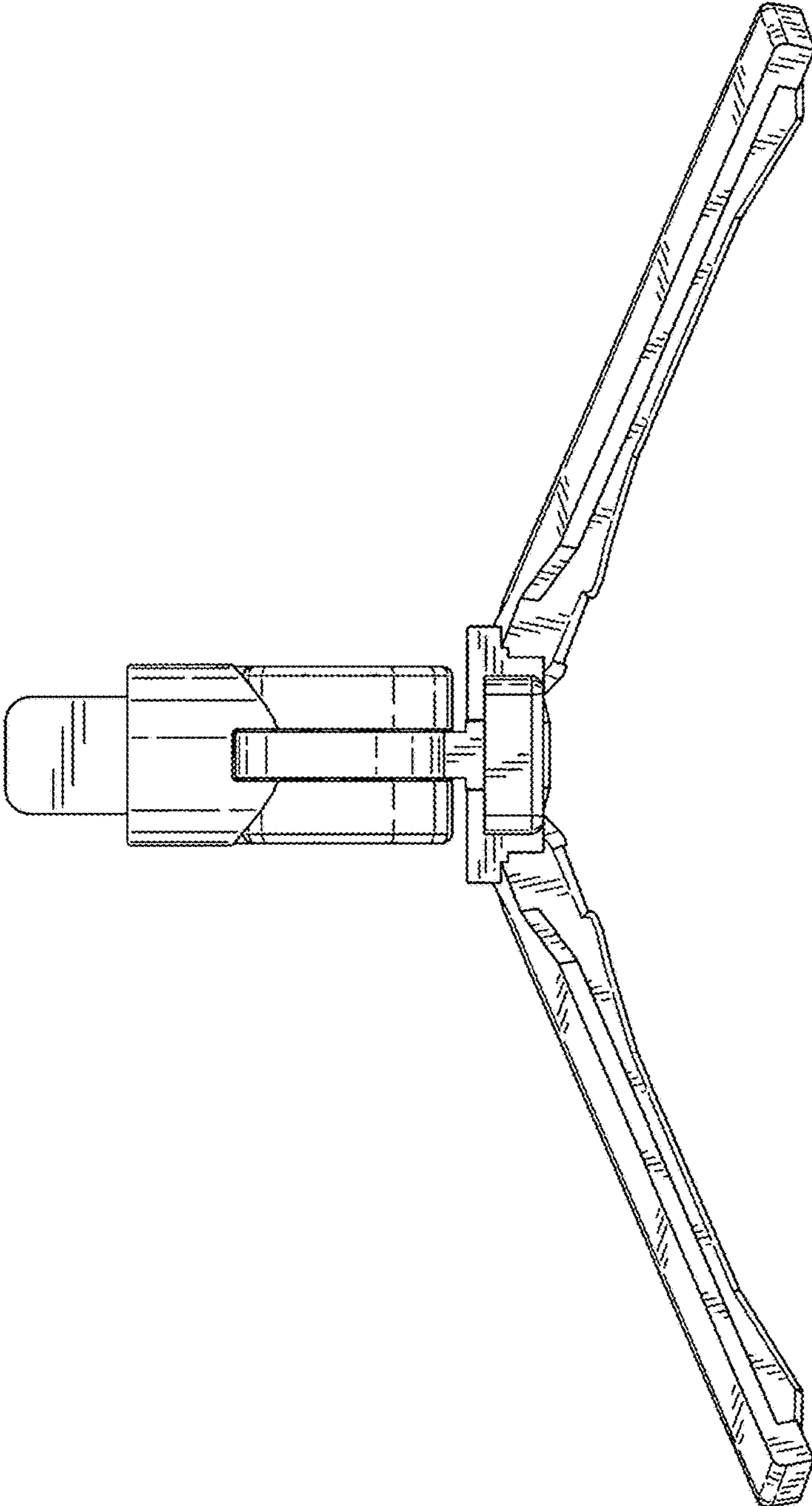


FIG. 15

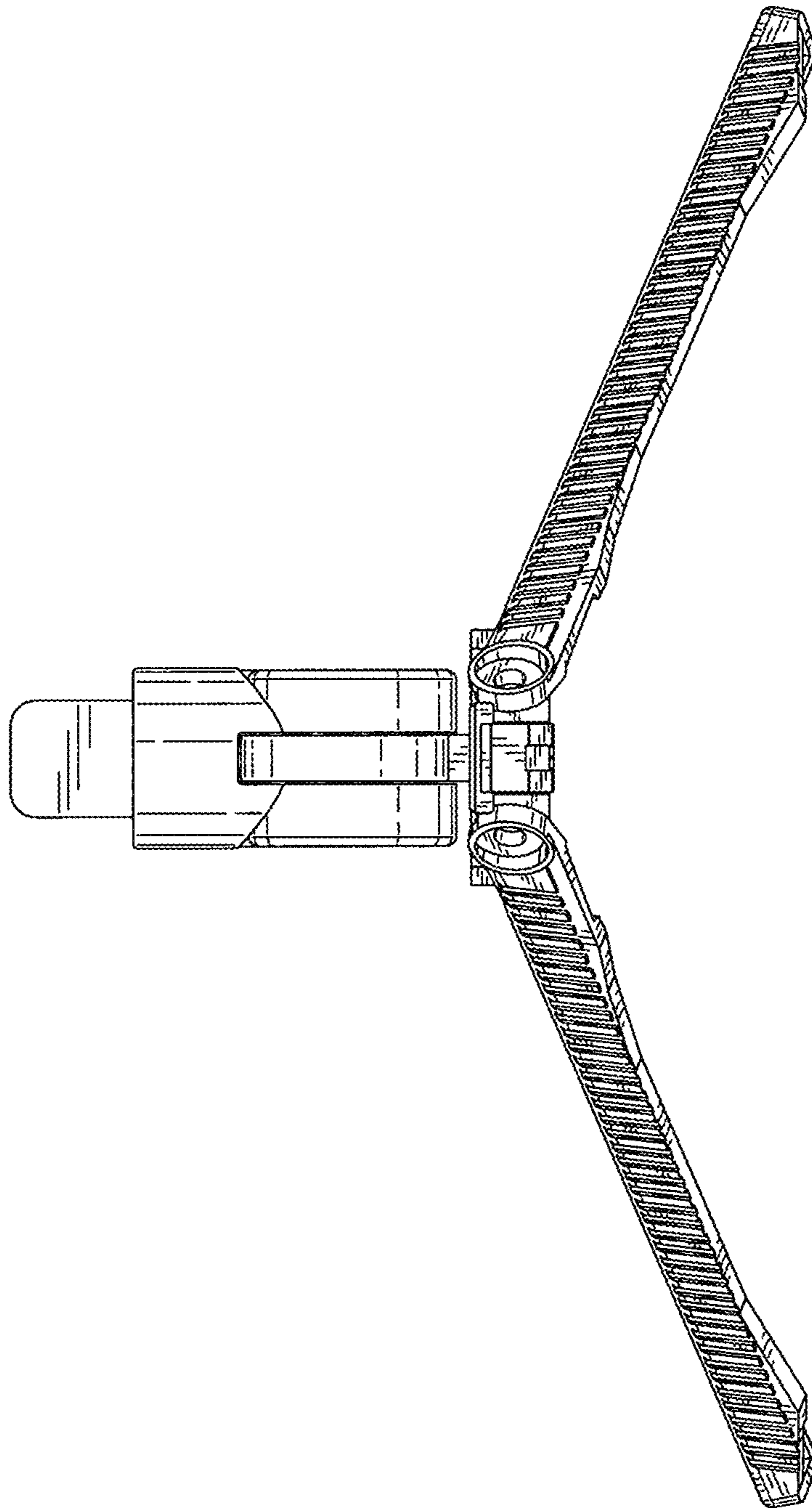


FIG. 16

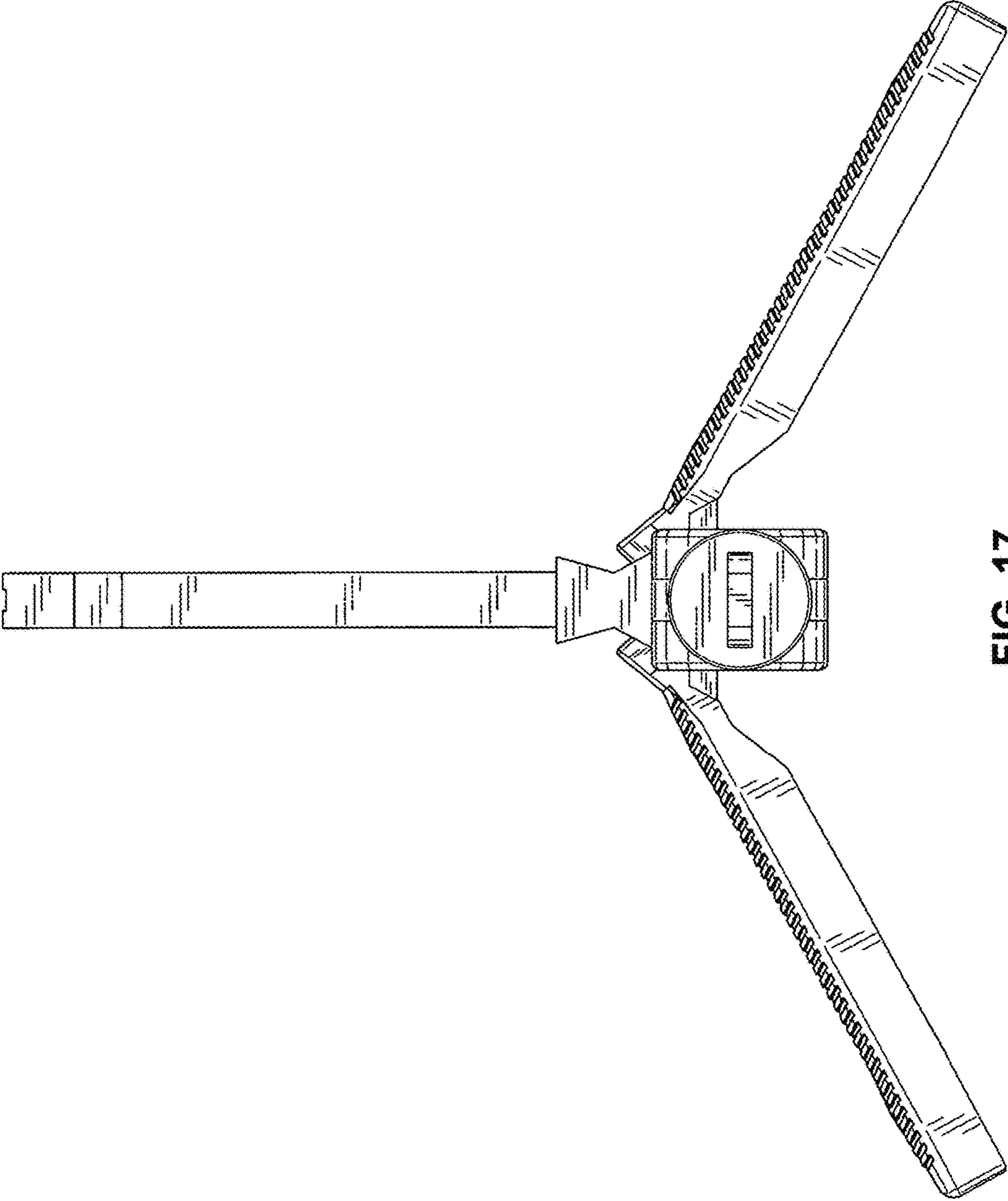


FIG. 17

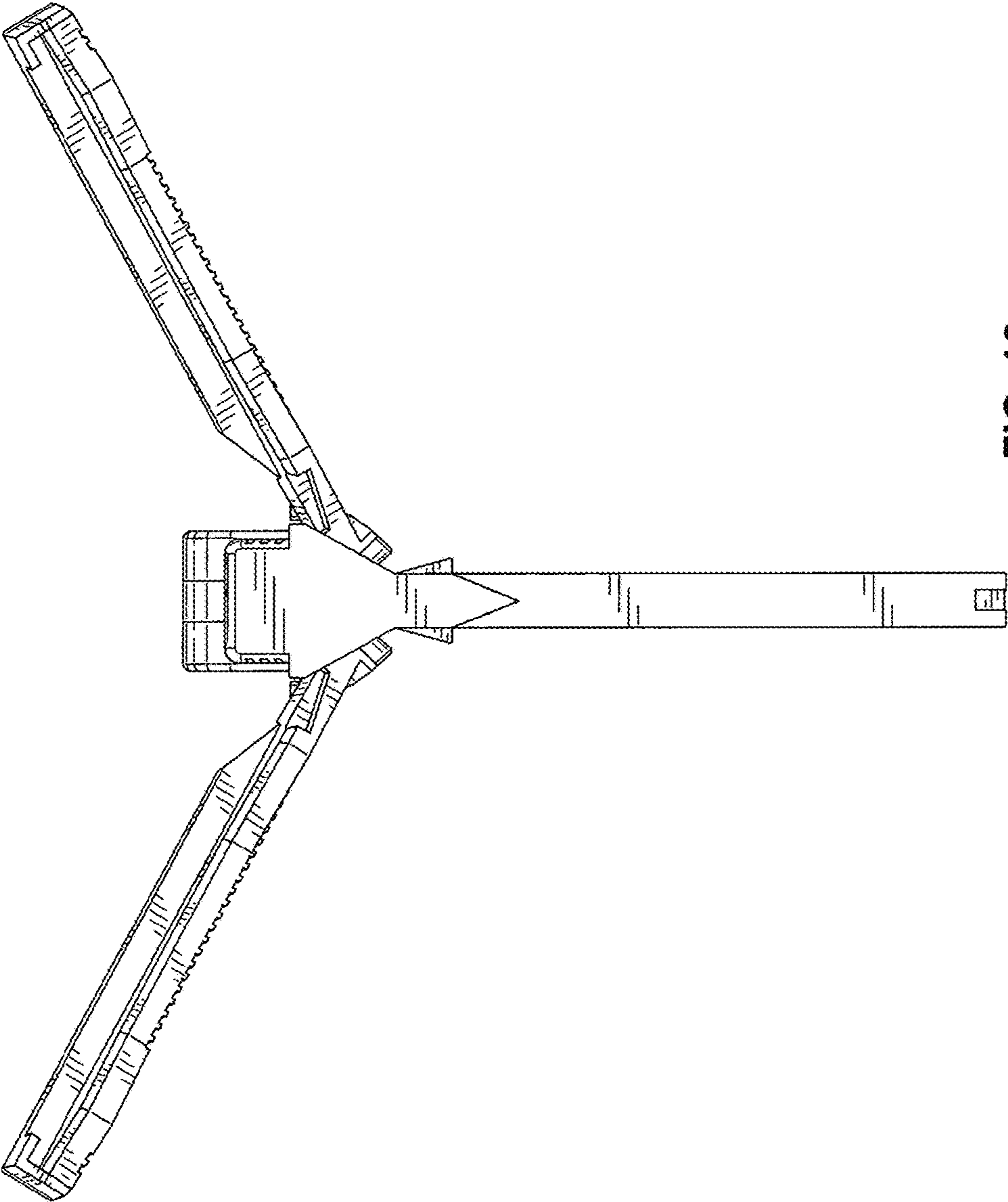


FIG. 18