



US00D864296S

(12) **United States Design Patent**  
**Park et al.**

(10) **Patent No.:** **US D864,296 S**  
(45) **Date of Patent:** **\*\* Oct. 22, 2019**

(54) **ELECTRONIC BOARD**

(71) Applicant: **Samsung Electronics Co., Ltd.**,  
Suwon-si (KR)

(72) Inventors: **Jeongwoo Park**, Seoul (KR); **Donghee Won**, Seoul (KR); **Sungjin Ann**, Seoul (KR); **Juwon Cho**, Seoul (KR)

(73) Assignee: **Samsung Electronics Co., Ltd.**,  
Suwon-si (KR)

(\*\*) Term: **15 Years**

(21) Appl. No.: **29/637,270**

(22) Filed: **Feb. 15, 2018**

(30) **Foreign Application Priority Data**

Aug. 28, 2017 (KR) ..... 30-2017-0040019

(51) **LOC (12) Cl.** ..... **19-06**

(52) **U.S. Cl.**  
USPC ..... **D19/113**

(58) **Field of Classification Search**  
USPC ..... D6/300-314; D19/113, 114; D20/27,  
D20/29, 42, 43; D14/341, 342, 371, 373,  
D14/374, 448, 450  
CPC ..... A47G 1/06; A47G 1/0616; A47G 1/0638;  
A47G 2001/0694; B43L 1/00; B43L 1/06;  
B43L 5/00; G09F 15/00; G09F 15/02;  
G09F 15/0012  
See application file for complete search history.

(56) **References Cited**

**U.S. PATENT DOCUMENTS**

D424,068 S \* 5/2000 Takemasa ..... D14/126  
D586,769 S \* 2/2009 Kita ..... D14/126  
D607,854 S \* 1/2010 Sagawa ..... D14/126  
D637,651 S \* 5/2011 Hase ..... D20/42  
D638,388 S \* 5/2011 Fujii ..... D14/126  
D647,905 S \* 11/2011 Lee ..... D14/374

D656,472 S \* 3/2012 Iida ..... D14/126  
D657,791 S \* 4/2012 Kim ..... D14/374  
D658,140 S \* 4/2012 Hwangbo ..... D14/126  
(Continued)

**OTHER PUBLICATIONS**

“Whiteboard price six boutique recommended.” [2015] www.17house.com Dec. 28, 2015 <<http://news.17house.com/article-115411-1.html>>.

(Continued)

*Primary Examiner* — Elizabeth A. Albert  
(74) *Attorney, Agent, or Firm* — NSIP Law

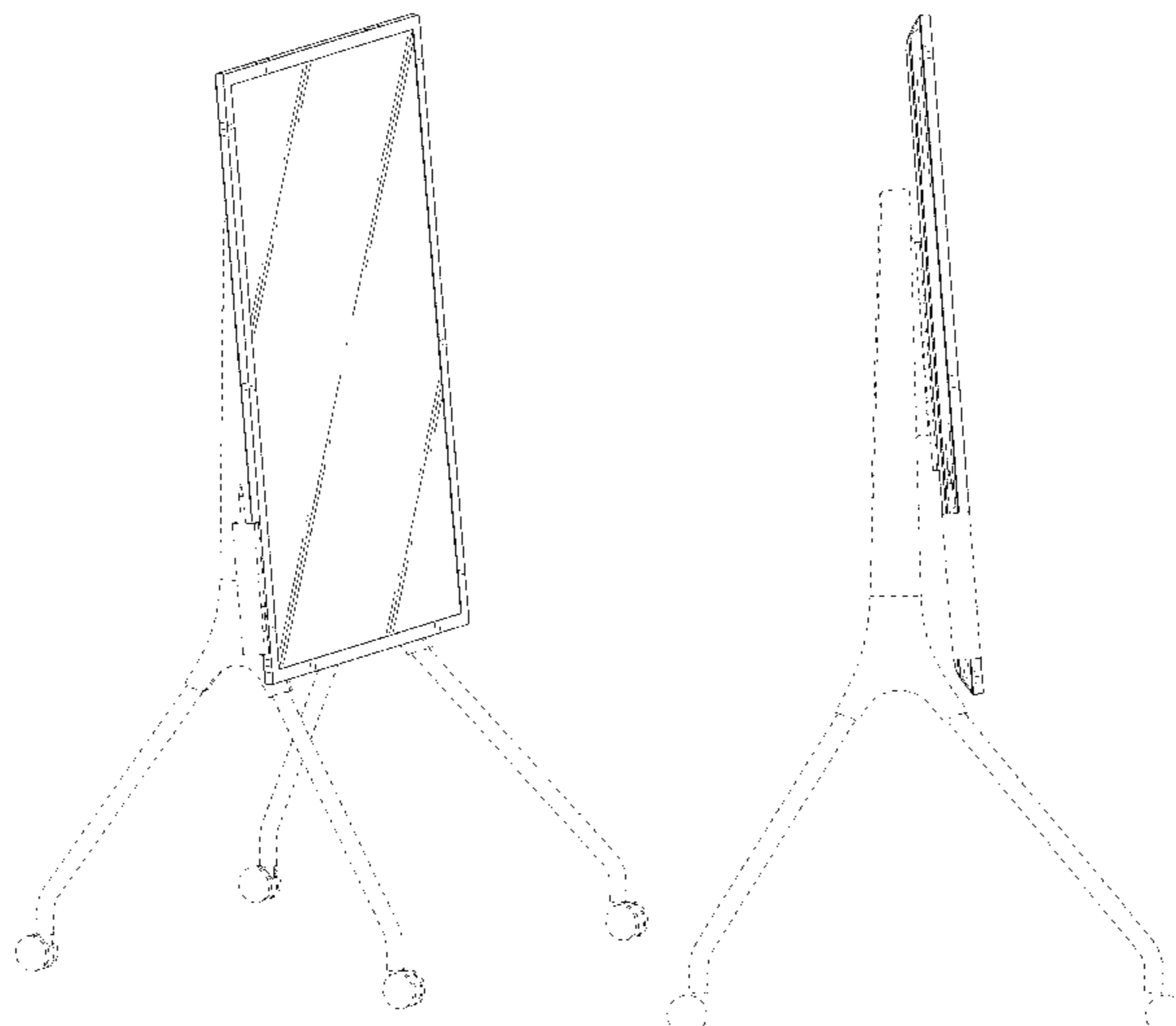
(57) **CLAIM**

We claim the ornamental design for an electronic board, as shown and described.

**DESCRIPTION**

FIG. 1 is a front perspective view of an electronic board showing our new design;  
FIG. 2 is a front view thereof;  
FIG. 3 is a rear view thereof;  
FIG. 4 is a left-side view thereof;  
FIG. 5 is a right-side view thereof;  
FIG. 6 is a top view thereof;  
FIG. 7 is a bottom view thereof;  
FIG. 8 is a rear perspective view thereof;  
FIG. 9 is another front perspective view thereof rotated 90° to an alternate position;  
FIG. 10 is a front view thereof;  
FIG. 11 is a rear view thereof;  
FIG. 12 is a left-side view thereof;  
FIG. 13 is a right-side view thereof;  
FIG. 14 is a top view thereof;  
FIG. 15 is a bottom view thereof; and,  
FIG. 16 is a rear perspective view thereof.  
The broken lines in the figures depict environmental subject matter and form no part of the claimed design.

**1 Claim, 16 Drawing Sheets**



(56)

References Cited

U.S. PATENT DOCUMENTS

D661,268 S \* 6/2012 Itou ..... D14/126  
 D664,541 S \* 7/2012 Kim ..... D14/374  
 D665,389 S \* 8/2012 Lu ..... D14/374  
 D667,826 S \* 9/2012 Lee ..... D14/374  
 D667,827 S \* 9/2012 Park ..... D14/374  
 D669,077 S \* 10/2012 McManigal ..... D14/374  
 D680,087 S \* 4/2013 Fujii ..... D14/126  
 D681,583 S \* 5/2013 Park ..... D14/138 G  
 D684,573 S \* 6/2013 Chen ..... D14/374  
 D686,583 S \* 7/2013 Yoo ..... D14/126  
 D686,585 S \* 7/2013 Yoon ..... D14/126  
 8,517,329 B2 \* 8/2013 Nash ..... B43L 1/00  
 248/441.1  
 D691,573 S \* 10/2013 Iida ..... D14/126  
 D691,976 S \* 10/2013 Hotta ..... D14/126  
 D697,884 S \* 1/2014 Lee ..... D14/126  
 D700,155 S \* 2/2014 McManigal ..... D14/126  
 D703,627 S \* 4/2014 Son ..... D14/126  
 D709,843 S \* 7/2014 Inoue ..... D14/126  
 D710,357 S \* 8/2014 Quijano ..... D14/374  
 D721,364 S \* 1/2015 Huh ..... D14/374  
 D723,483 S \* 3/2015 Lee ..... D14/126  
 D725,057 S \* 3/2015 Seo ..... D14/126  
 D727,893 S \* 4/2015 Lee ..... D14/336  
 D727,897 S \* 4/2015 Stevenson ..... D14/374  
 D728,567 S \* 5/2015 Hwangbo ..... D14/374  
 D729,798 S \* 5/2015 Hwangbo ..... D14/374  
 D729,799 S \* 5/2015 Jung ..... D14/374  
 D730,353 S \* 5/2015 Hwangbo ..... D14/374

D730,896 S \* 6/2015 Hwangbo ..... D14/374  
 D730,897 S \* 6/2015 Hwangbo ..... D14/374  
 D730,898 S \* 6/2015 Hwangbo ..... D14/374  
 D732,030 S \* 6/2015 Hwangbo ..... D14/374  
 D732,031 S \* 6/2015 Hwangbo ..... D14/374  
 D738,378 S \* 9/2015 Kim ..... D14/451  
 D738,875 S \* 9/2015 Seoc ..... D14/341  
 D738,879 S \* 9/2015 Hwangbo ..... D14/374  
 D738,880 S \* 9/2015 Hwangbo ..... D14/374  
 D738,881 S \* 9/2015 Hwangbo ..... D14/374  
 D750,585 S \* 3/2016 Kang ..... D14/126  
 D751,519 S \* 3/2016 Ma ..... D14/126  
 D752,533 S \* 3/2016 Yamaguchi ..... D14/126  
 D753,082 S \* 4/2016 Tanimura ..... D14/126  
 D754,979 S \* 5/2016 Starck ..... D6/300  
 D765,049 S \* 8/2016 Tanimura ..... D14/126  
 D767,517 S \* 9/2016 Gomi ..... D14/126  
 D769,837 S \* 10/2016 Kim ..... D14/126  
 9,669,650 B2 \* 6/2017 Shen ..... G09B 5/02  
 D791,121 S \* 7/2017 Collins ..... D14/341  
 D809,600 S \* 2/2018 Anderson ..... D19/113  
 D812,027 S \* 3/2018 Debaigue ..... D14/126  
 D818,976 S \* 5/2018 Hotta ..... D14/126

OTHER PUBLICATIONS

“Interactive smart tablet VS interactive whiteboard.” [2013] www.blog.sina.com Sep. 22, 2013 <[http://blog-sina.com.cn/s/blog\\_b6e3f9100101p5ms.html](http://blog-sina.com.cn/s/blog_b6e3f9100101p5ms.html)>.

\* cited by examiner

FIG. 1

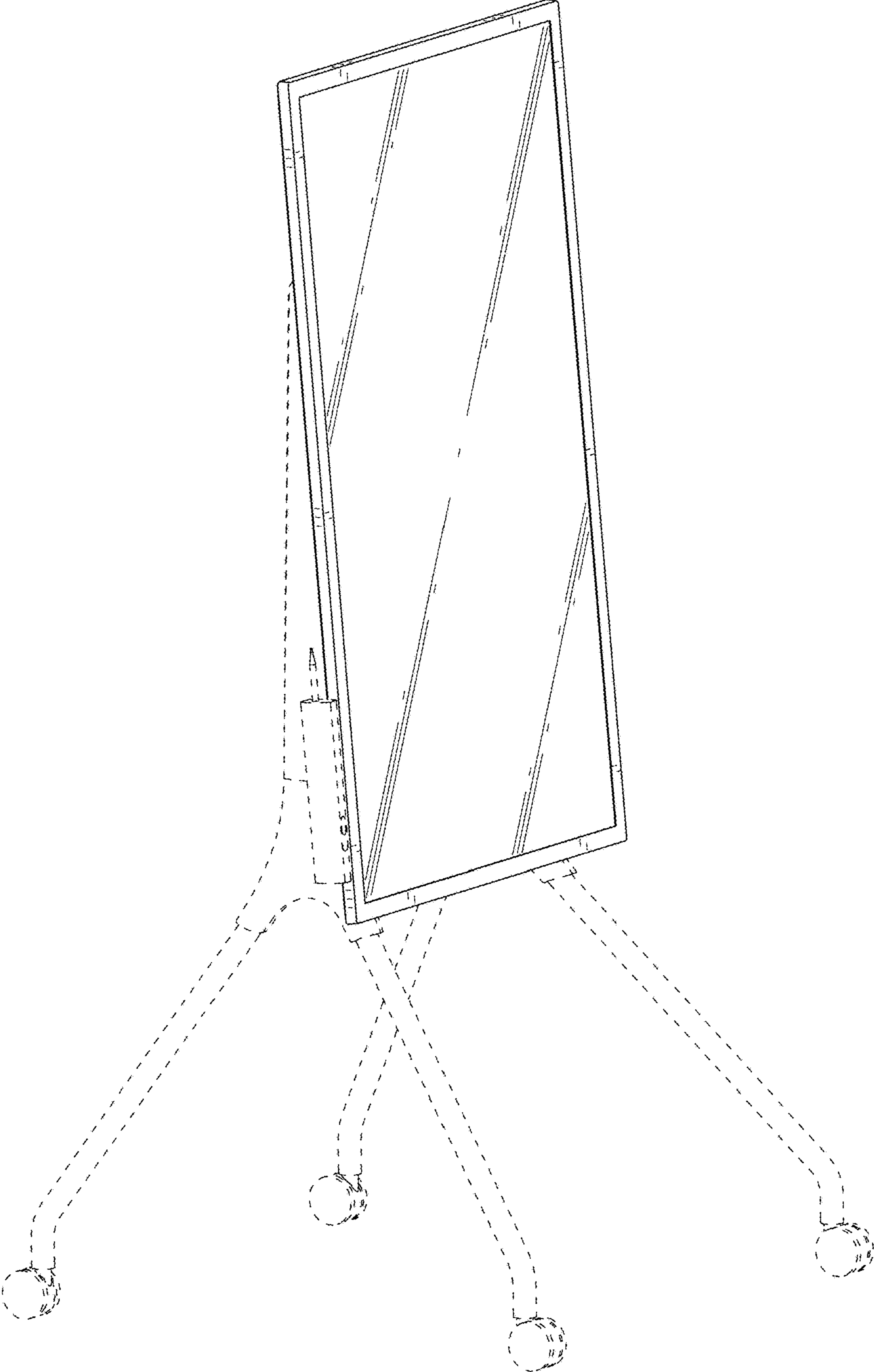


FIG. 2

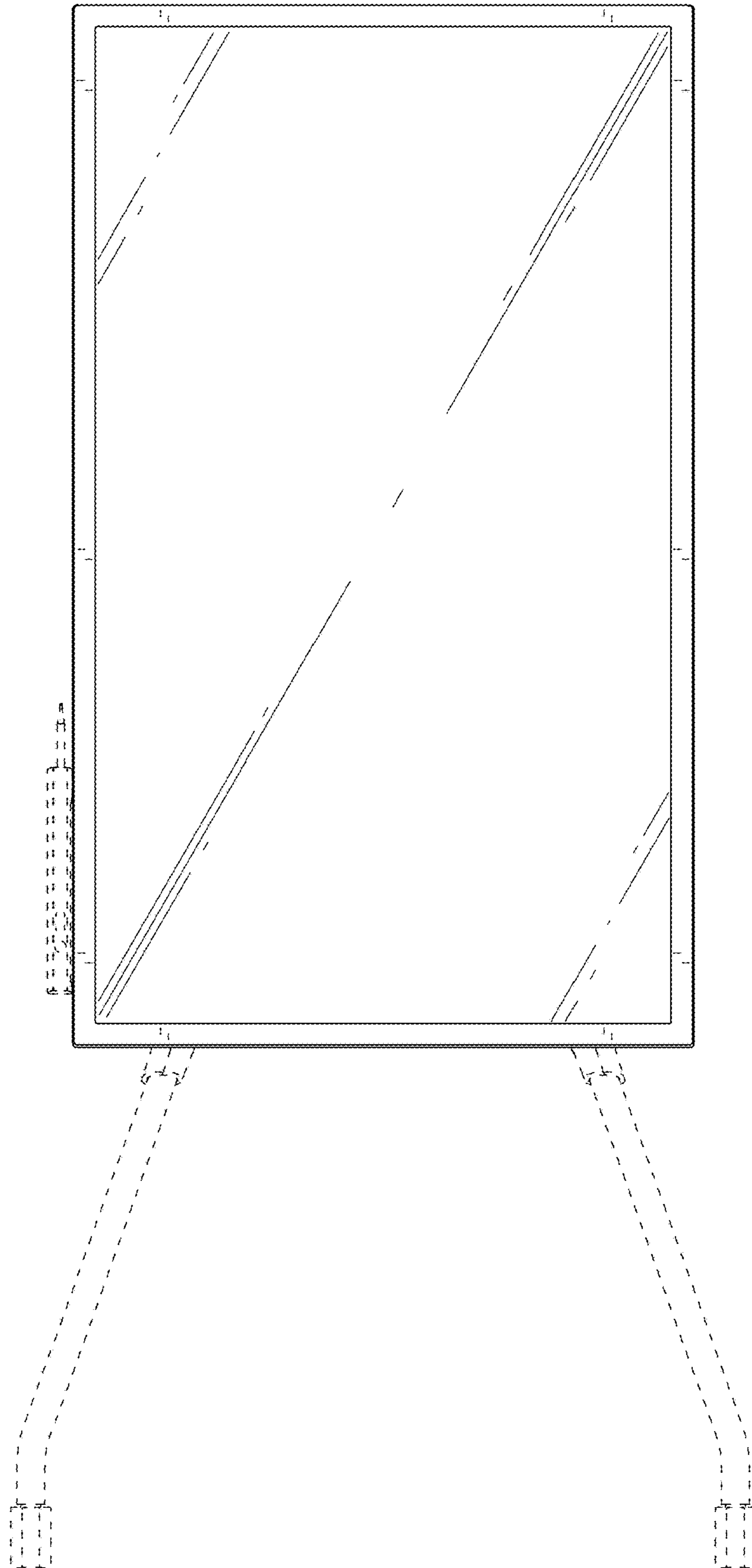


FIG. 3

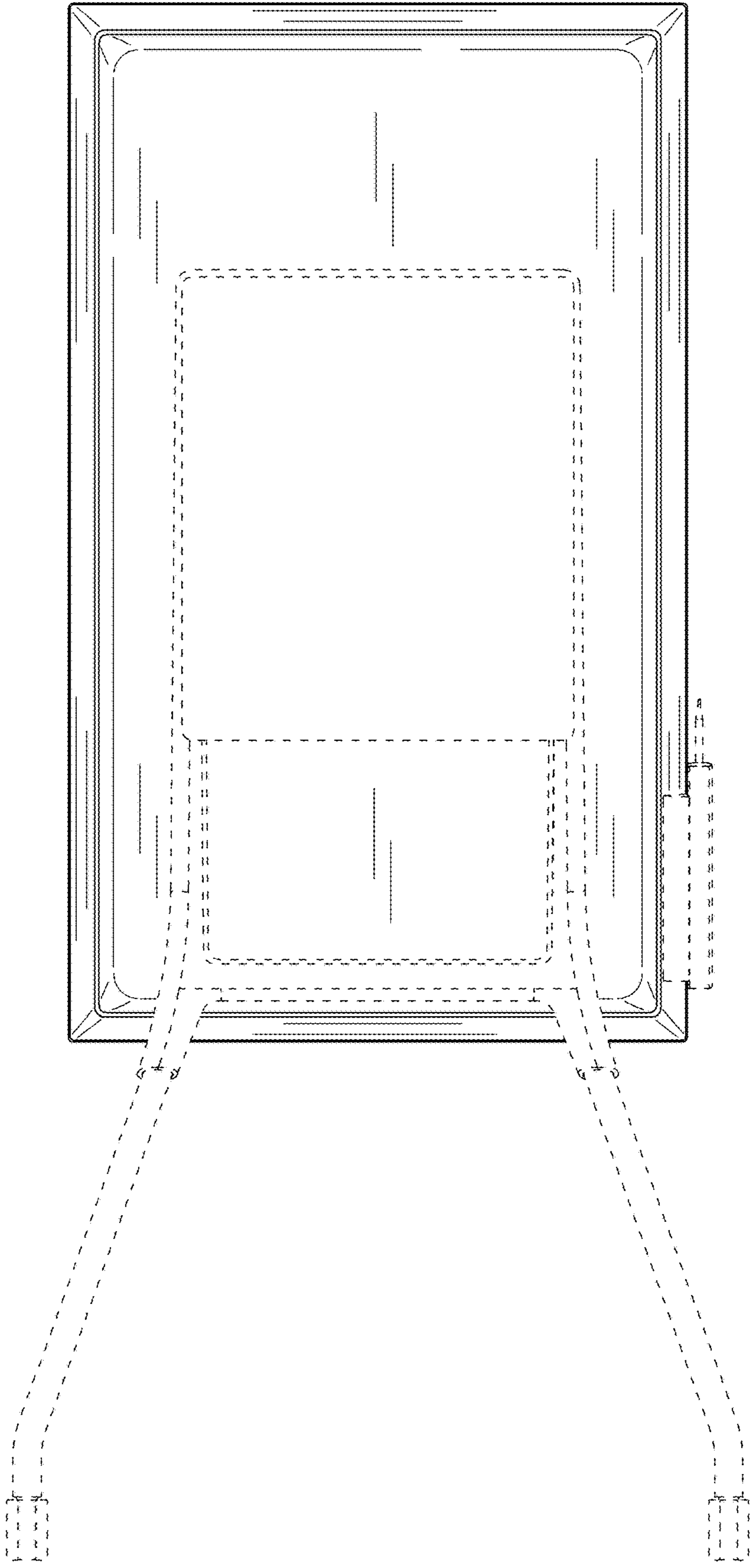


FIG. 4

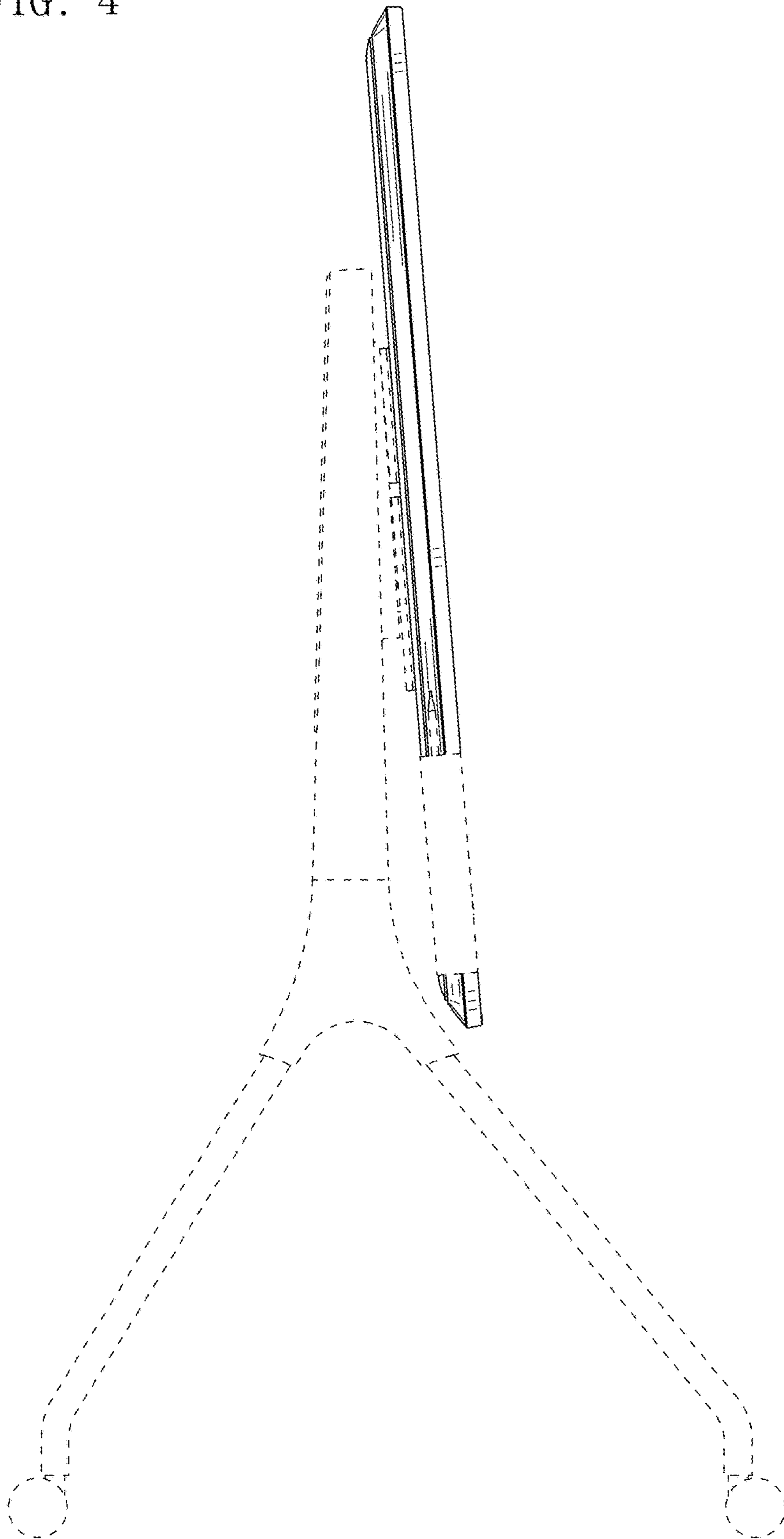


FIG. 5

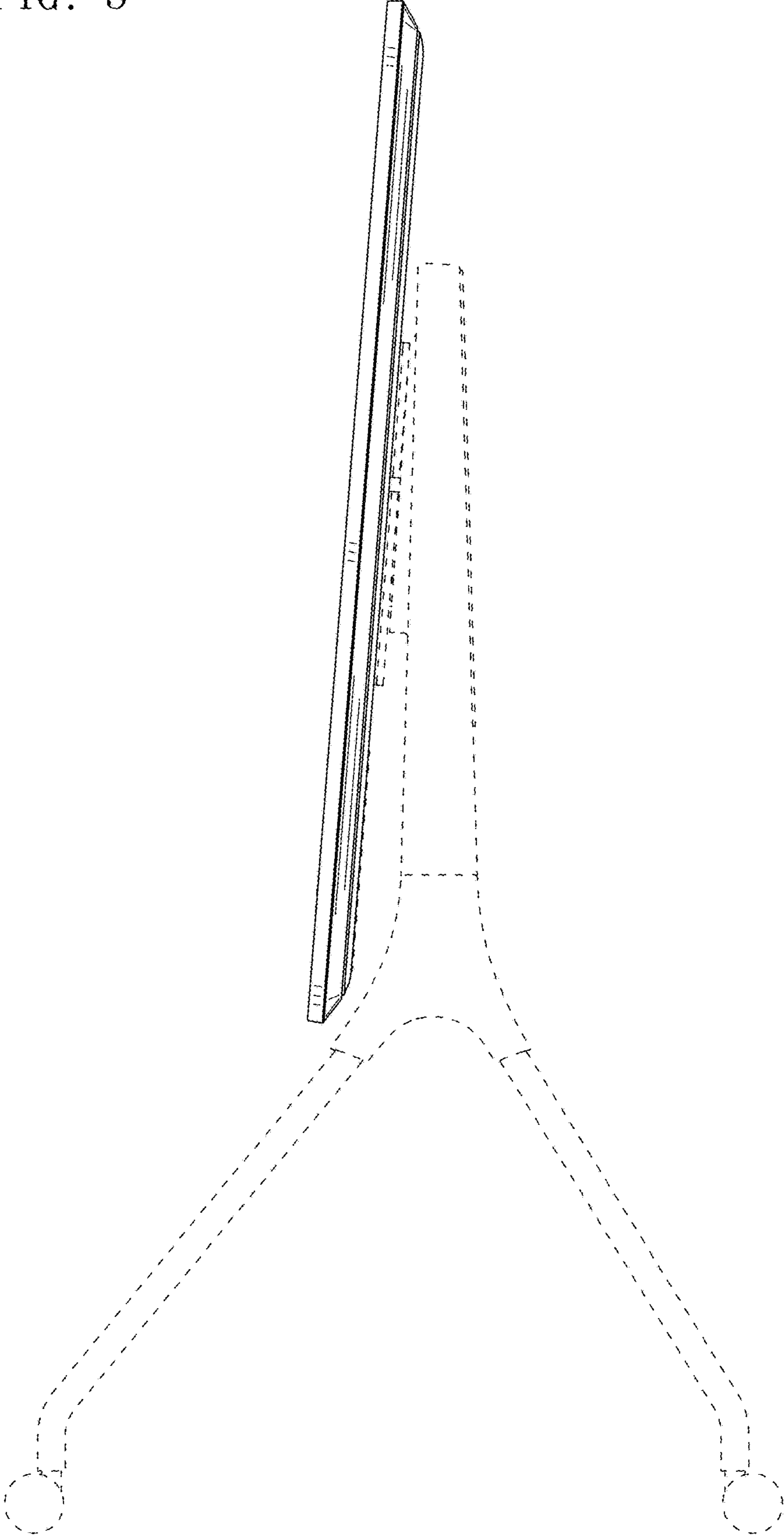


FIG. 6

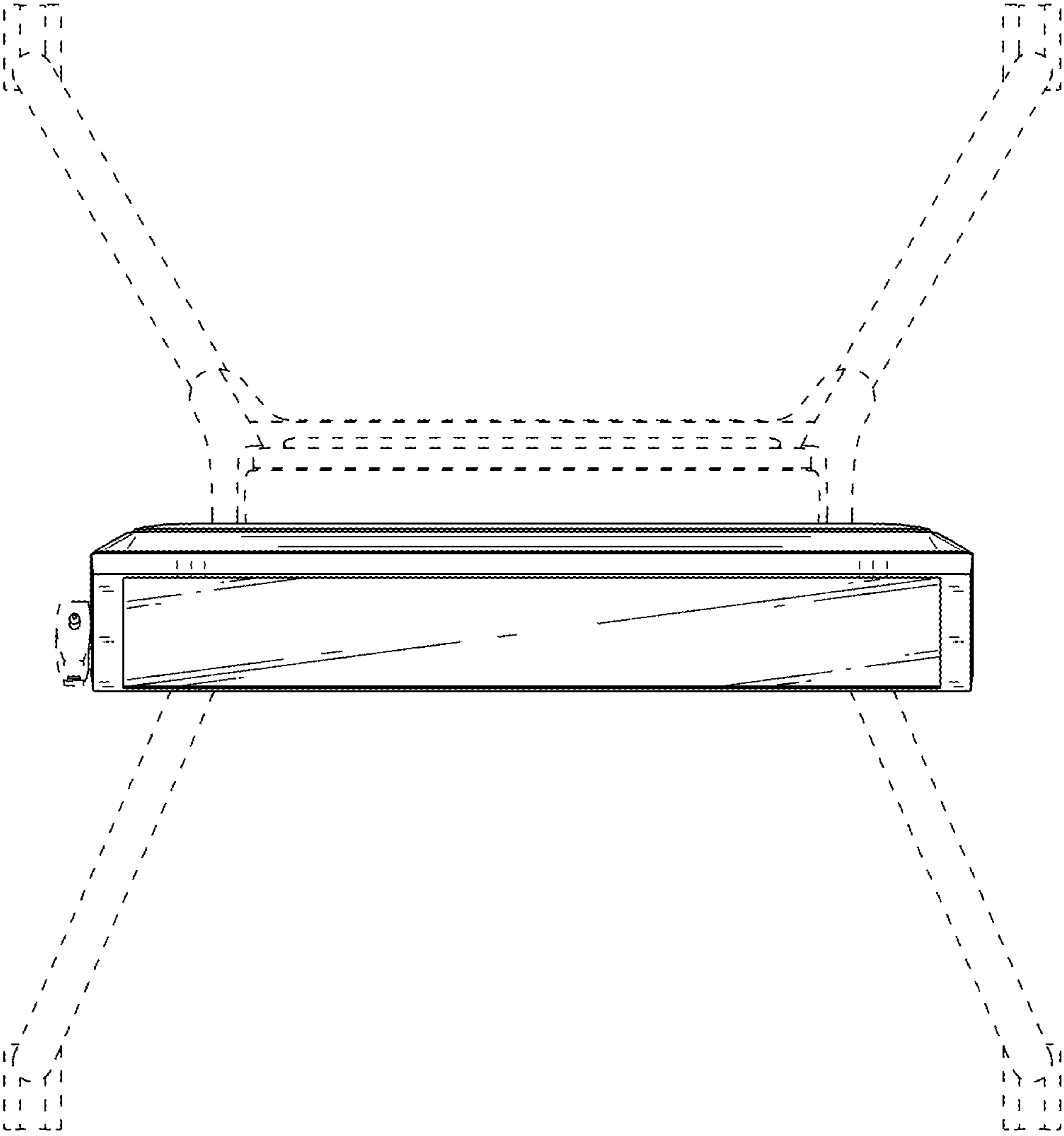




FIG. 7

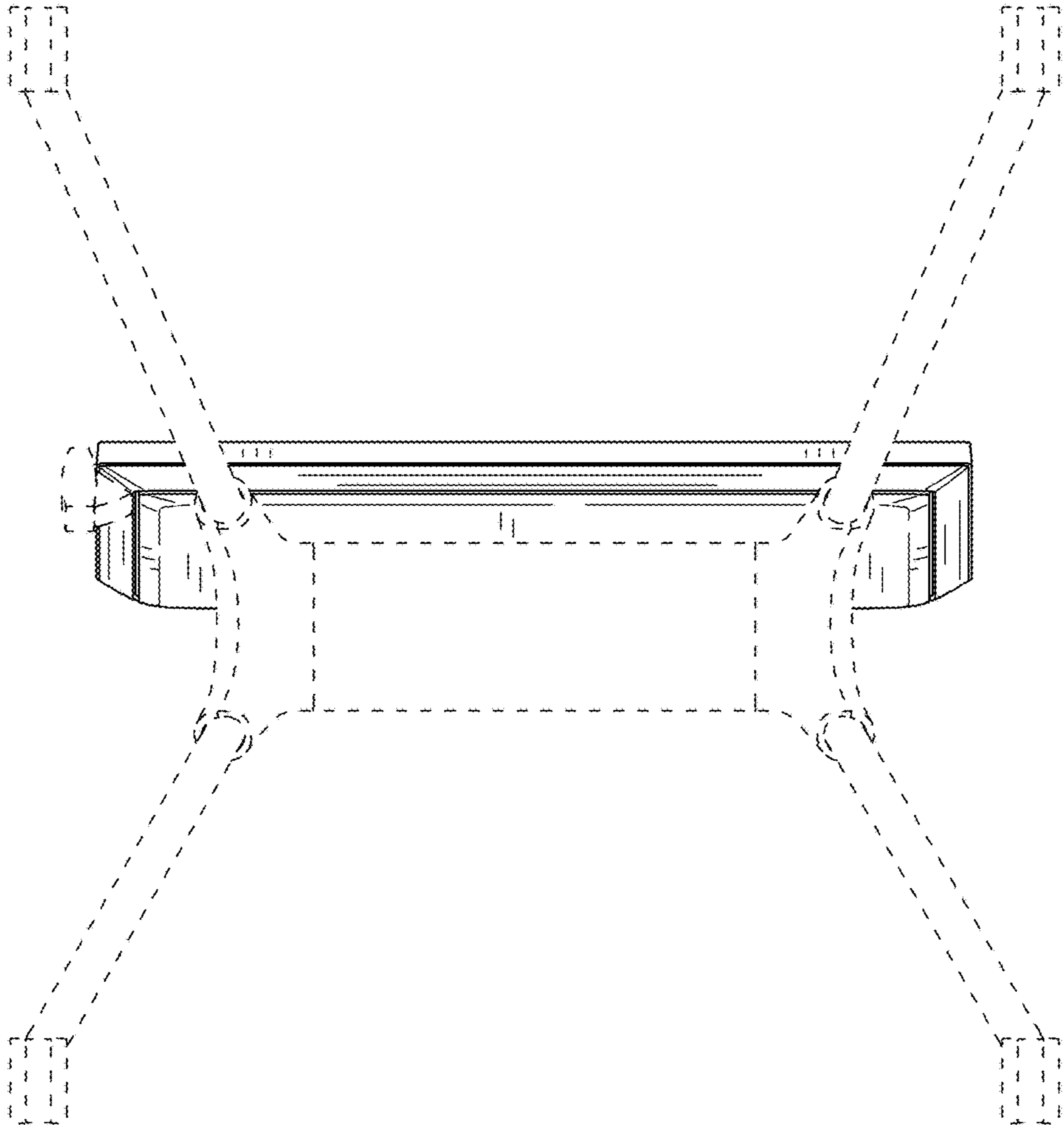


FIG. 8

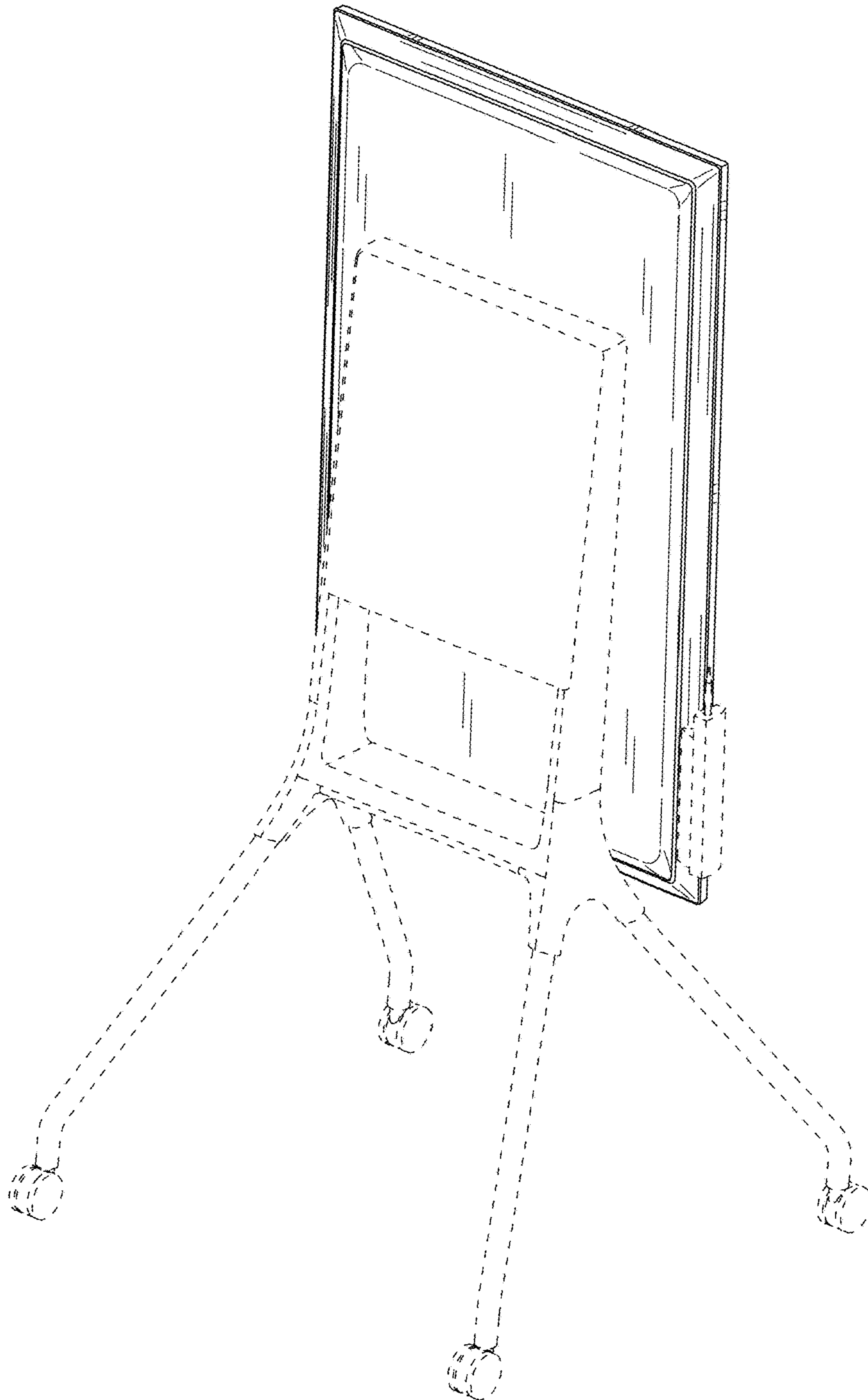


FIG. 9

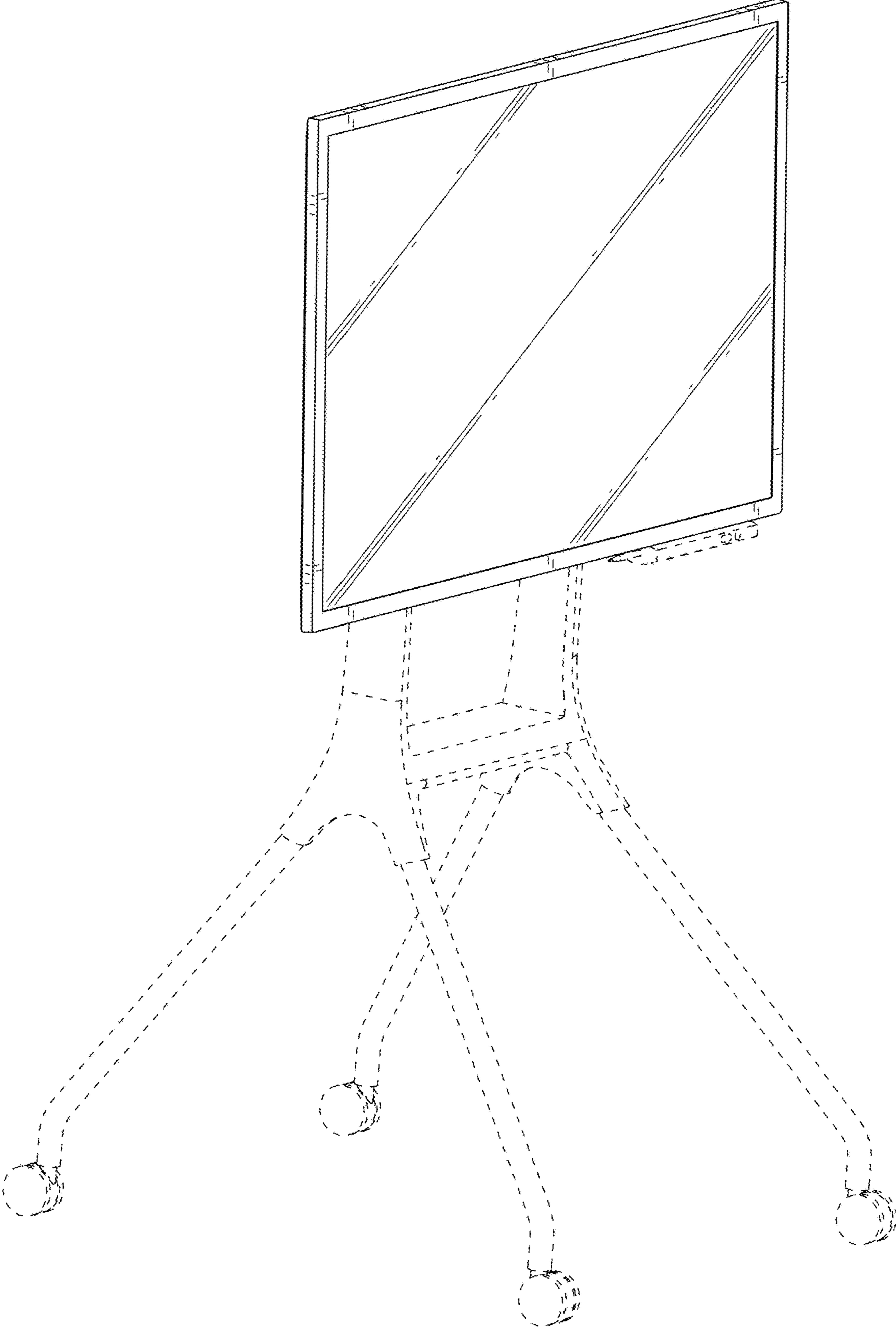


FIG. 10

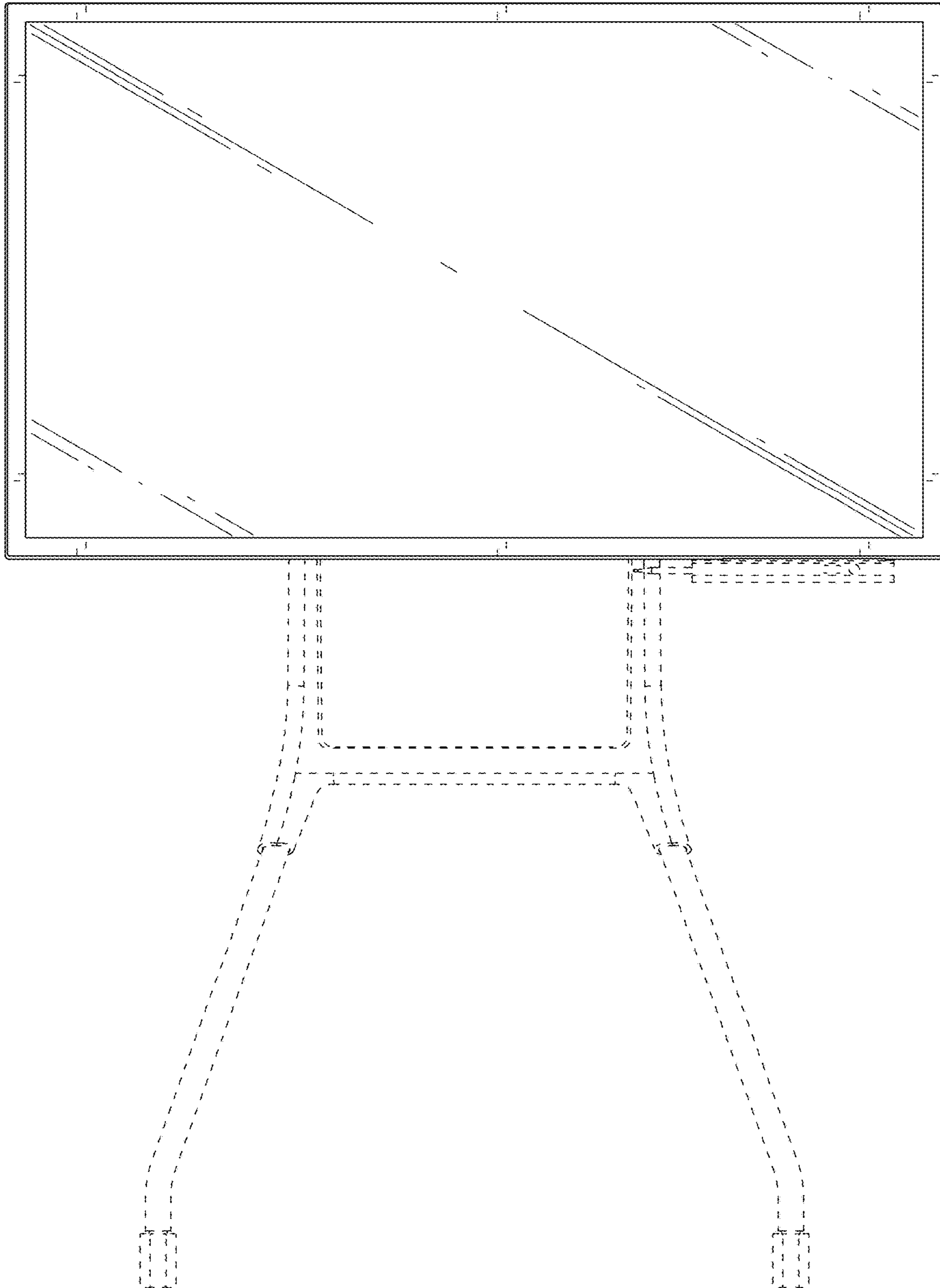


FIG. 11

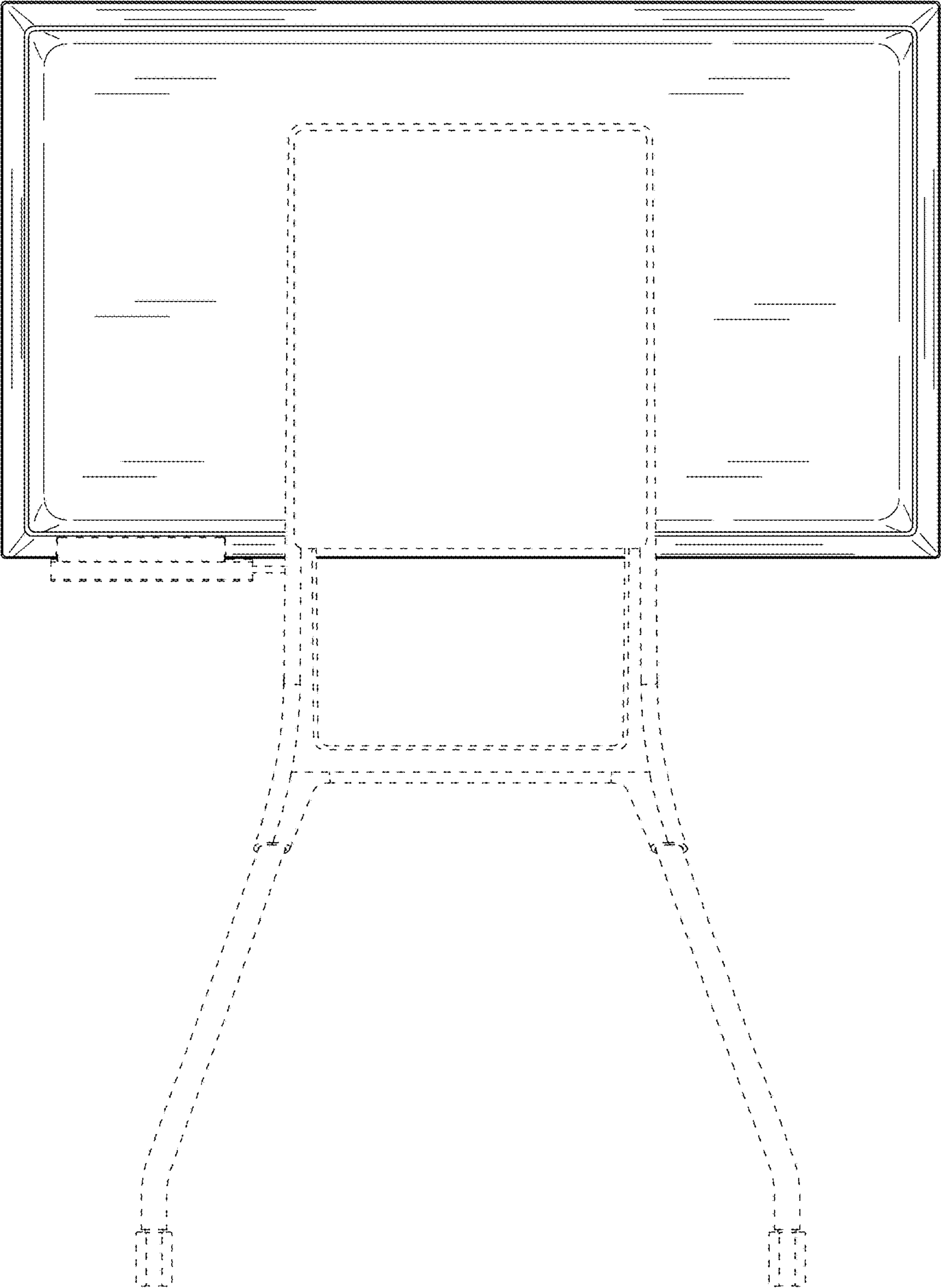


FIG. 12

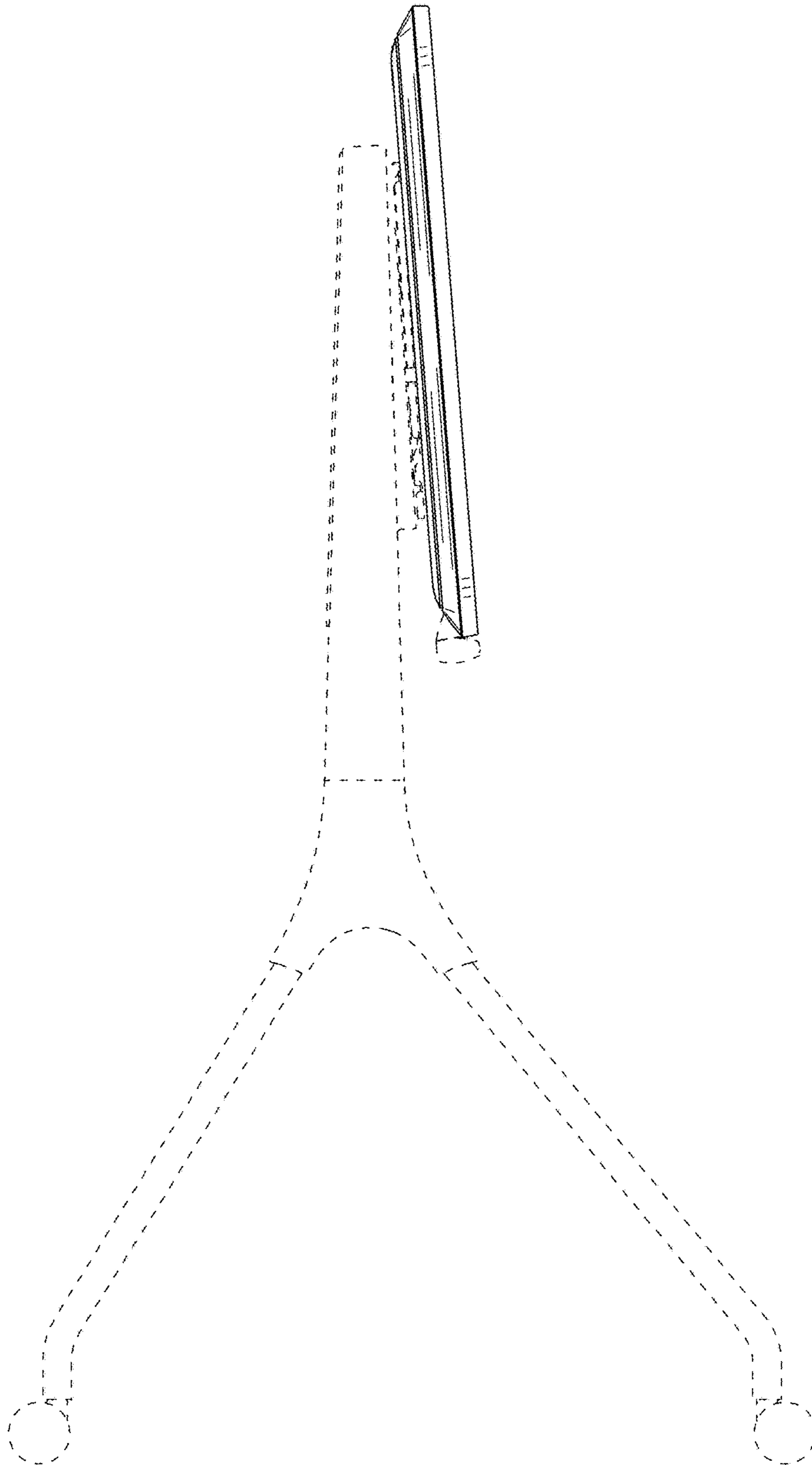


FIG. 13

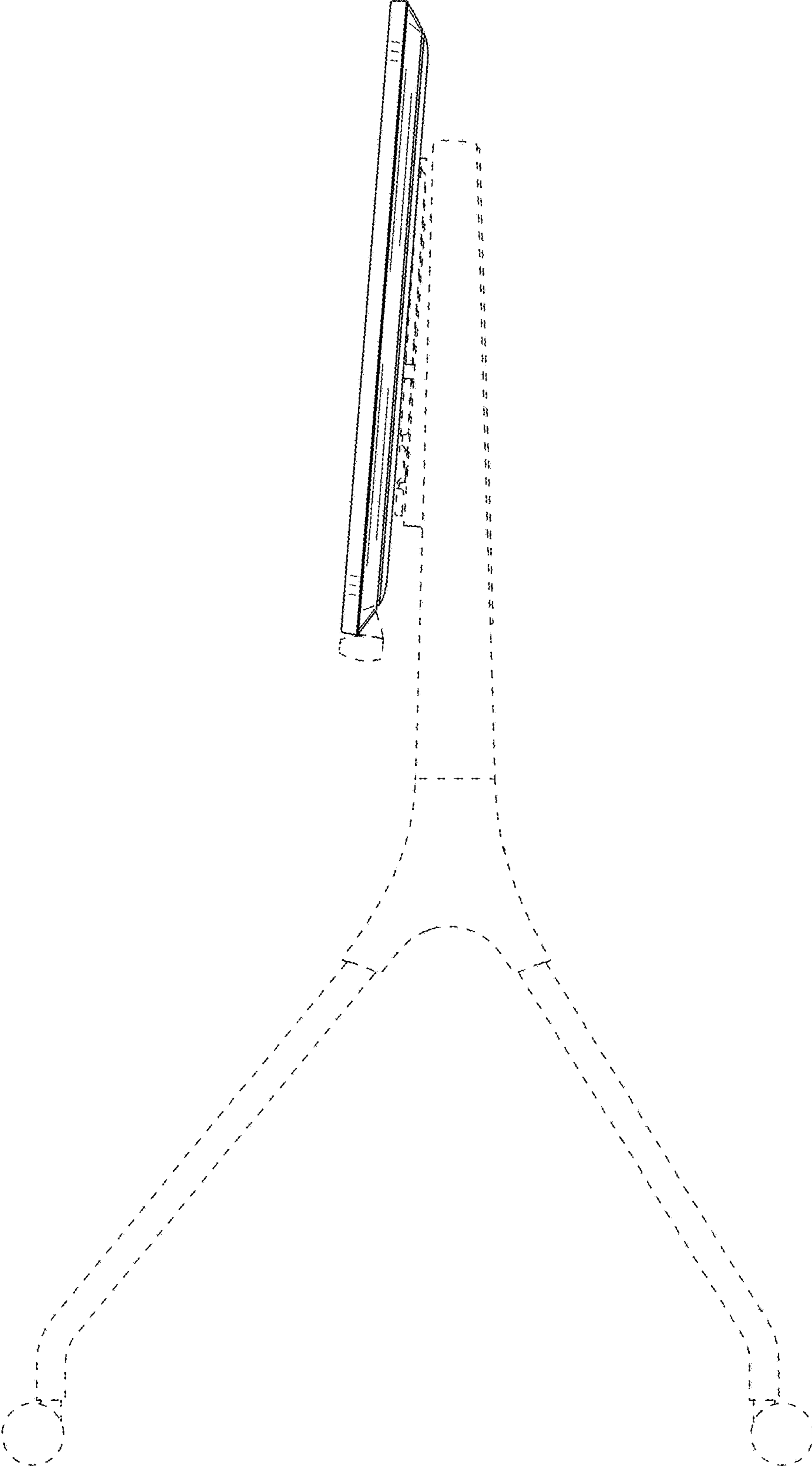


FIG. 14

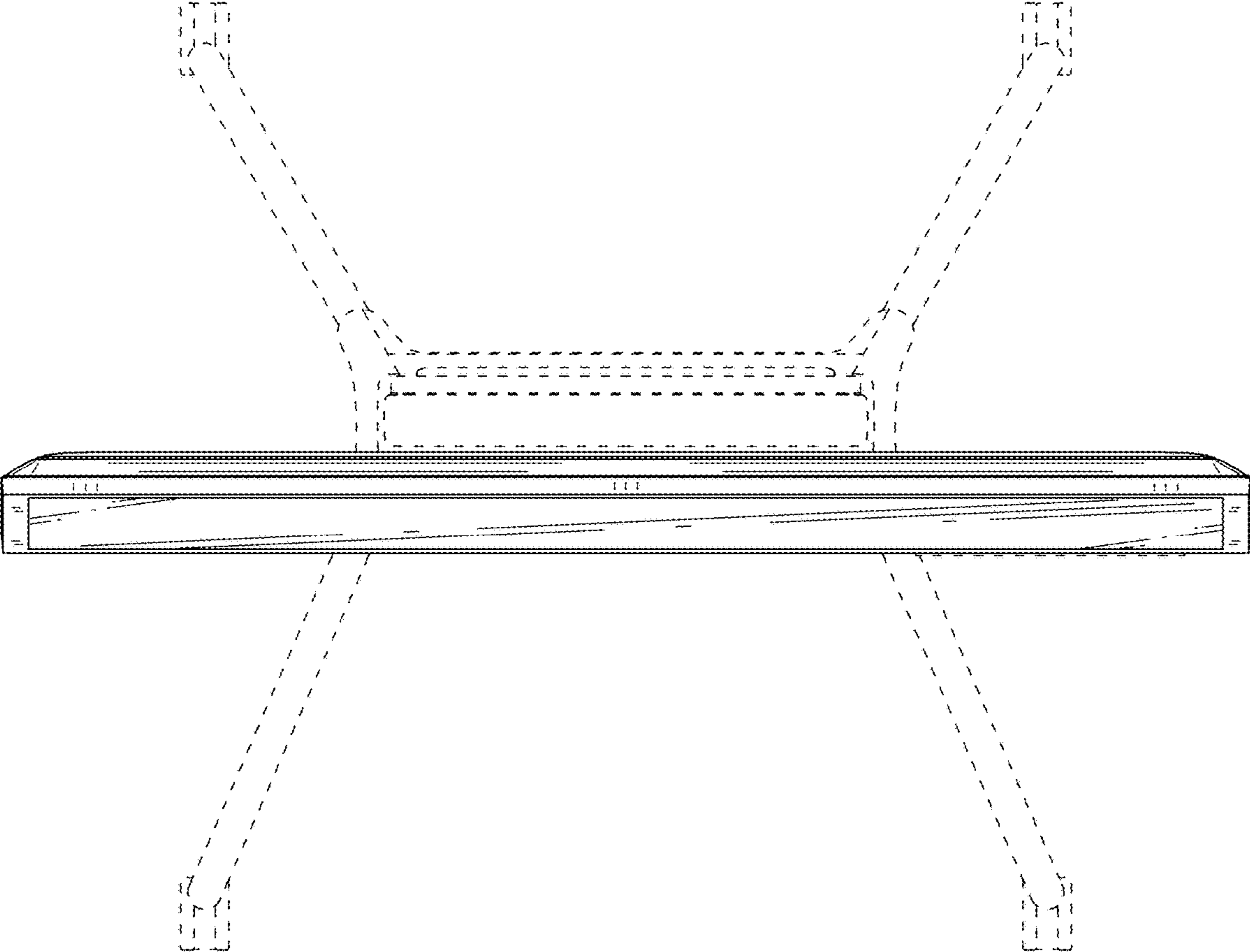




FIG. 15

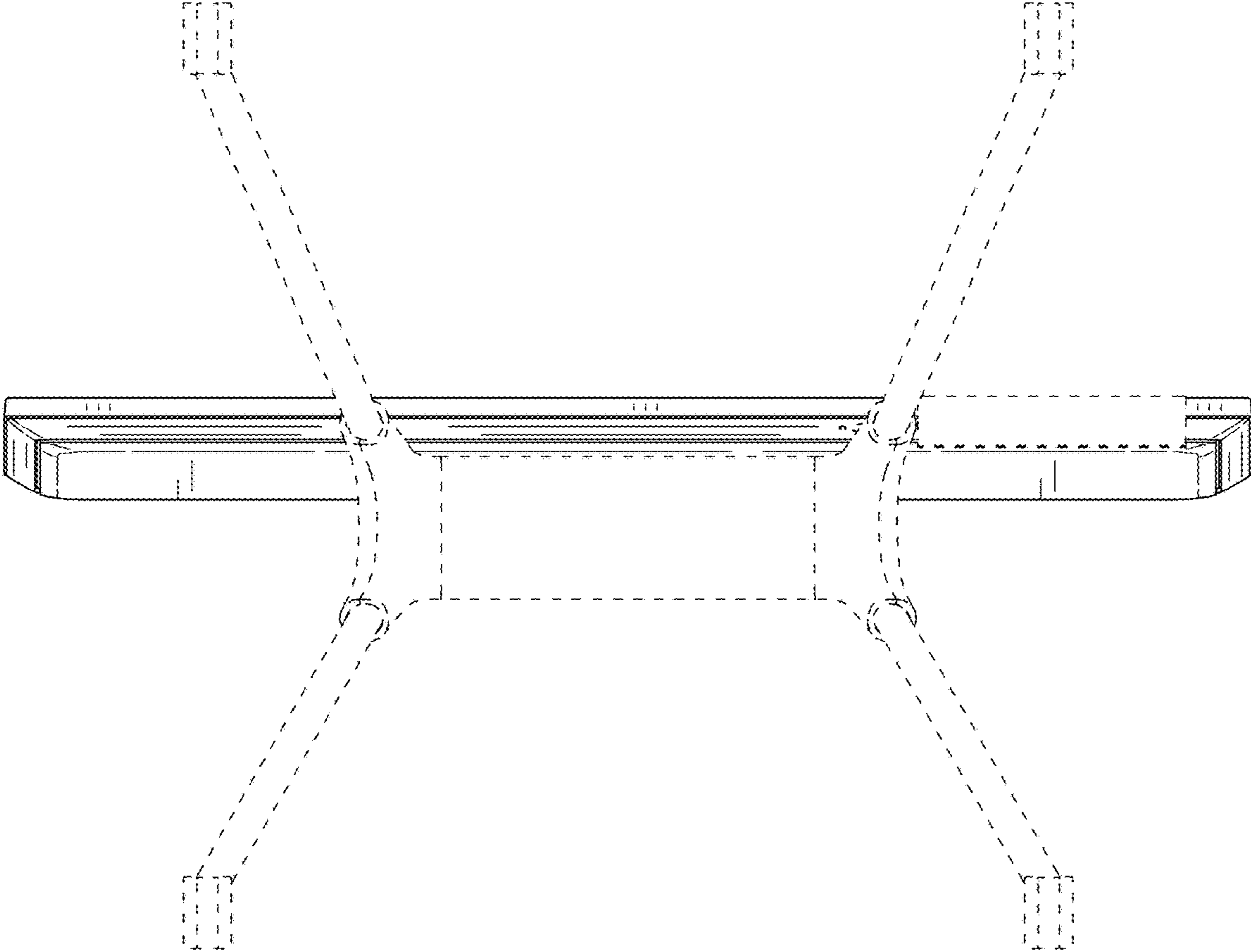


FIG. 16

