

US00D864295S

(12) **United States Design Patent**
Eisen

(10) **Patent No.:** **US D864,295 S**
(45) **Date of Patent:** **** Oct. 22, 2019**

- (54) **SHARPENER**
- (71) Applicant: **EISEN GMBH**, Baiersdorf (DE)
- (72) Inventor: **Stephan Eisen**, Baiersdorf (DE)
- (73) Assignee: **EISEN GMBH**, Baiersdorf (DE)
- (**) Term: **15 Years**
- (21) Appl. No.: **29/629,189**
- (22) Filed: **Dec. 12, 2017**

2,642,044 A * 6/1953 Mussguller B43L 23/08
30/452
4,066,109 A * 1/1978 Narang B43L 23/08
144/28.11
4,158,912 A * 6/1979 Erdmann C11C 5/028
30/124

(Continued)

Primary Examiner — Elizabeth A. Albert
(74) *Attorney, Agent, or Firm* — Rimôn, P.C.

(57) **CLAIM**

I claim the ornamental design for a sharpener, as shown and described.

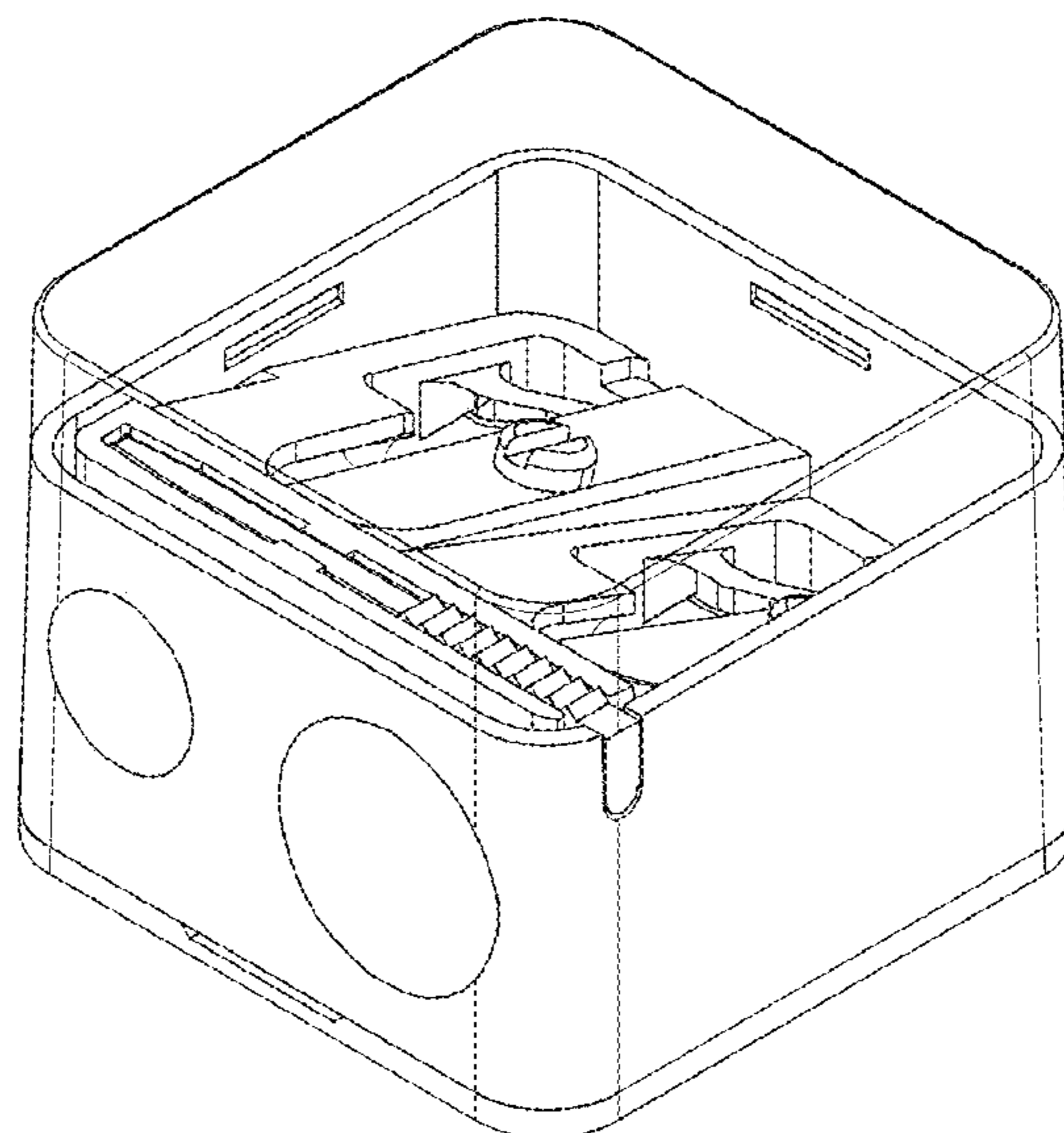
DESCRIPTION

- (30) **Foreign Application Priority Data**
- Jun. 14, 2017 (EM) 4047926
- (51) **LOC (12) Cl.** **19-06**
- (52) **U.S. Cl.**
- USPC **D19/73**
- (58) **Field of Classification Search**
- USPC D19/72-74; D8/91, 93, 98, 100
- CPC B43L 23/00; B43L 23/002; B43L 23/006;
B43L 23/008; B43L 23/02; B43L 23/04;
B43L 23/06; B43L 23/08; B43L 23/085
- See application file for complete search history.

FIG. 1 is an upper perspective view of first embodiment of a sharpener;
FIG. 2 is a left side view of the sharpener shown in FIG. 1;
FIG. 3 is a right side view of the sharpener shown in FIG. 1;
FIG. 4 is a rear view of the sharpener shown in FIG. 1;
FIG. 5 is a front view of the sharpener shown in FIG. 1;
FIG. 6 is a top plan view of the sharpener shown in FIG. 1;
FIG. 7 is a bottom plan view of the sharpener shown in FIG. 1;
FIG. 8 is an upper perspective view of second embodiment of the sharpener shown in FIG. 1;
FIG. 9 is a left side view of the sharpener shown in FIG. 8;
FIG. 10 is a right side view of the sharpener shown in FIG. 8;
FIG. 11 is a rear view of the sharpener shown in FIG. 8;
FIG. 12 is a front view of the sharpener shown in FIG. 8;
FIG. 13 is a top plan view of the sharpener shown in FIG. 8; and,
FIG. 14 is a bottom plan view of the sharpener shown in FIG. 8.
The broken lines shown represent unclaimed subject matter and form no part of the claimed design.

- (56) **References Cited**
- U.S. PATENT DOCUMENTS**
- 359,026 A * 3/1887 McKinnon B43L 23/08
30/452
- 1,479,921 A * 1/1924 Miller B43L 23/08
30/289
- 1,560,291 A * 11/1925 Bork B43L 23/08
30/452
- 1,719,714 A * 7/1929 Miller B43L 23/08
30/294
- 2,039,687 A * 5/1936 Ficker B43L 23/08
30/457

1 Claim, 14 Drawing Sheets



(56)

References Cited

U.S. PATENT DOCUMENTS

4,248,283 A * 2/1981 Kaye B43L 23/08
 30/454
 D262,295 S * 12/1981 Kaye D19/73
 4,402,354 A * 9/1983 Halpern B43L 23/08
 30/454
 5,077,903 A * 1/1992 Kreim B43L 23/02
 144/28.1
 5,167,071 A * 12/1992 Eisen B43L 23/08
 30/452
 5,845,406 A * 12/1998 Luttgens B43L 23/08
 30/454
 6,334,256 B1 * 1/2002 Luttgens B43L 23/00
 30/453
 6,397,479 B1 * 6/2002 Luttgens B43L 23/08
 144/28.11
 6,464,078 B1 * 10/2002 Grossnickle A47G 21/12
 206/214
 D469,809 S * 2/2003 Gstalder D19/73
 D470,182 S * 2/2003 Gstalder D19/73
 6,634,108 B2 * 10/2003 Luttgens B43L 23/00
 144/28.11
 6,966,117 B1 * 11/2005 Cannon B43L 23/06
 30/451
 6,976,314 B2 * 12/2005 Luttgens A61L 2/16
 144/28.1
 D800,834 S * 10/2017 Eisen D19/73
 D802,052 S * 11/2017 Eisen D19/73
 2007/0062049 A1 * 3/2007 Kern B43L 23/08
 30/451
 2008/0000094 A1 * 1/2008 Tong B43L 23/08
 30/457

* cited by examiner

FIG. 1

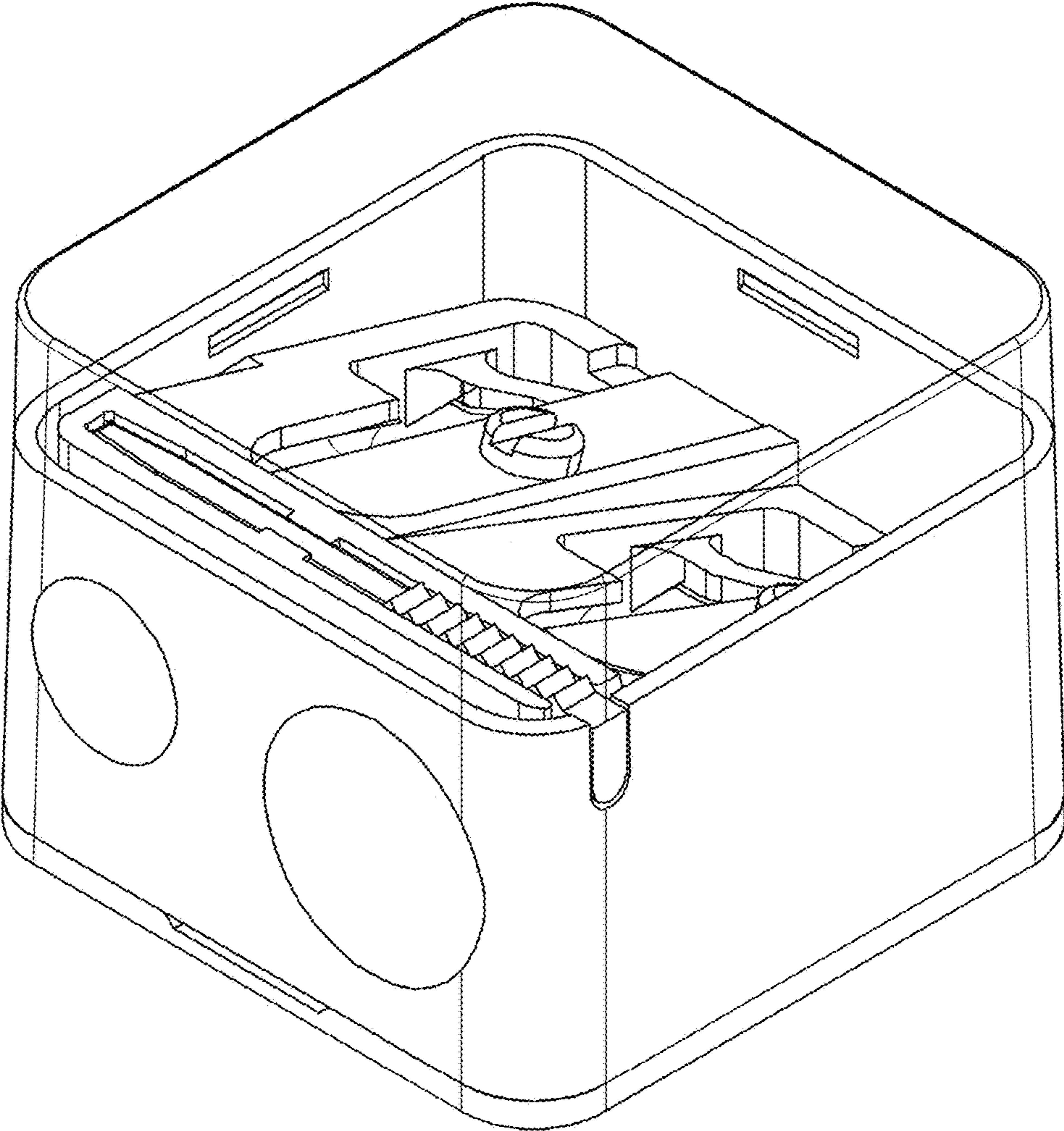


FIG. 2

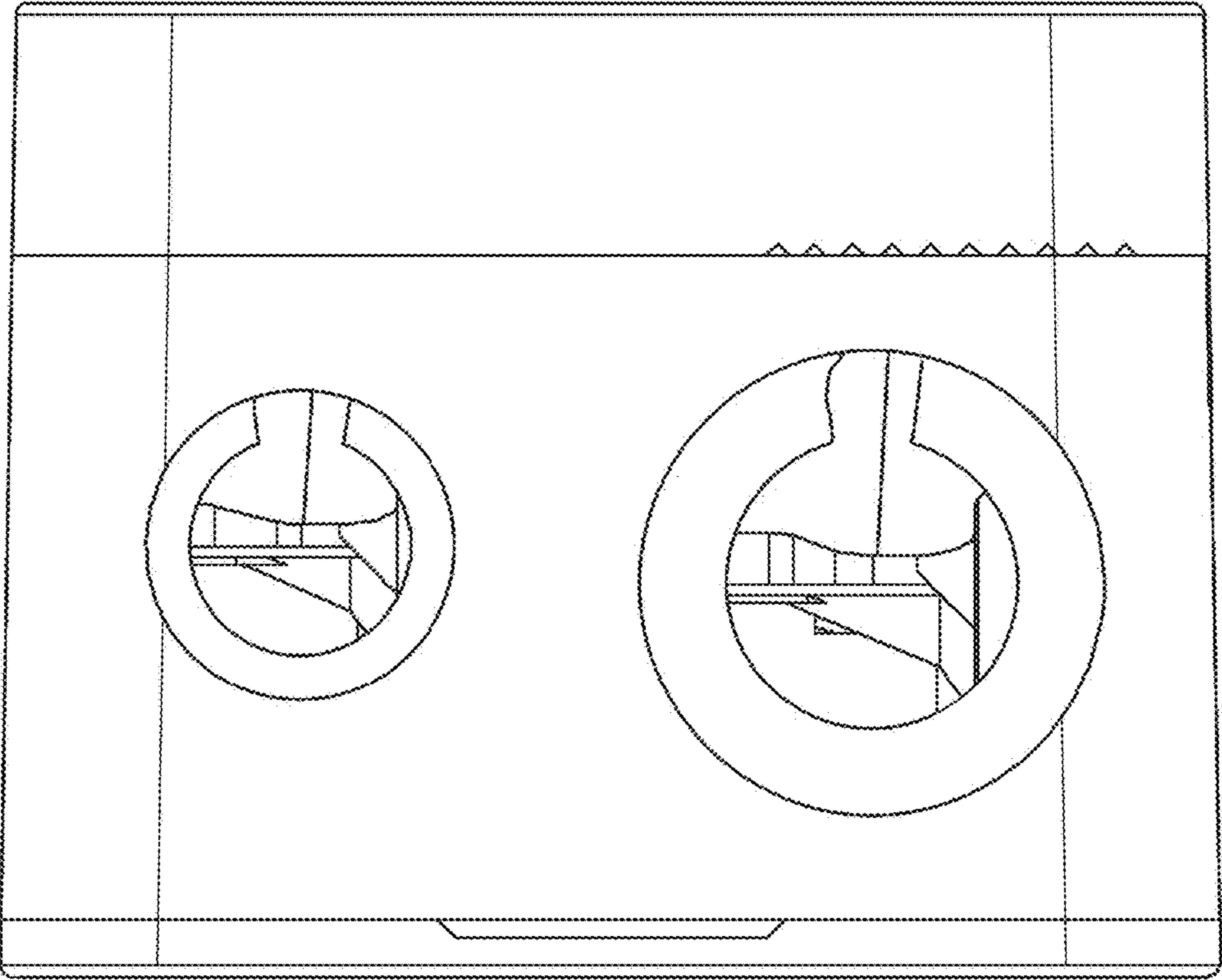


FIG. 3

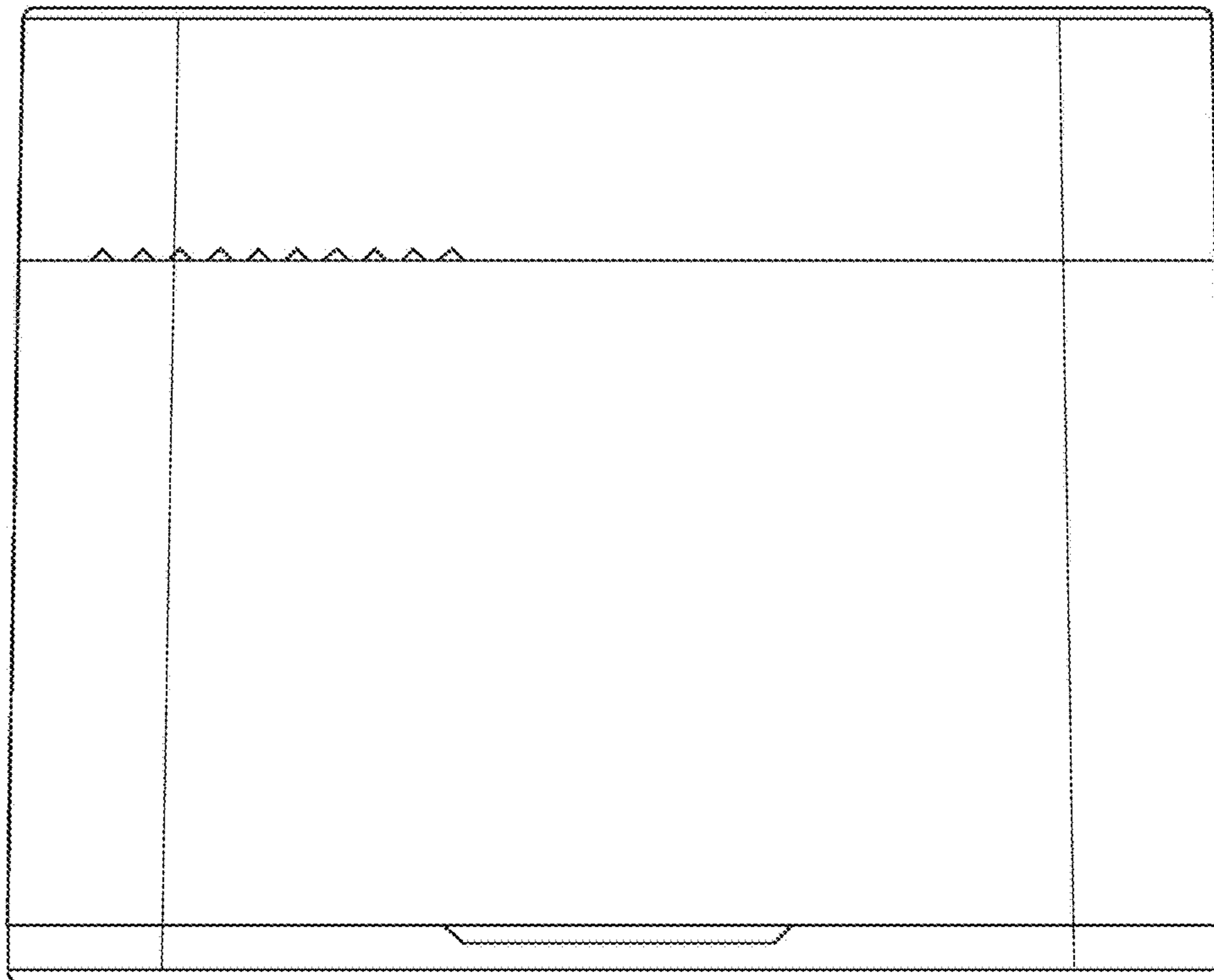


FIG. 4

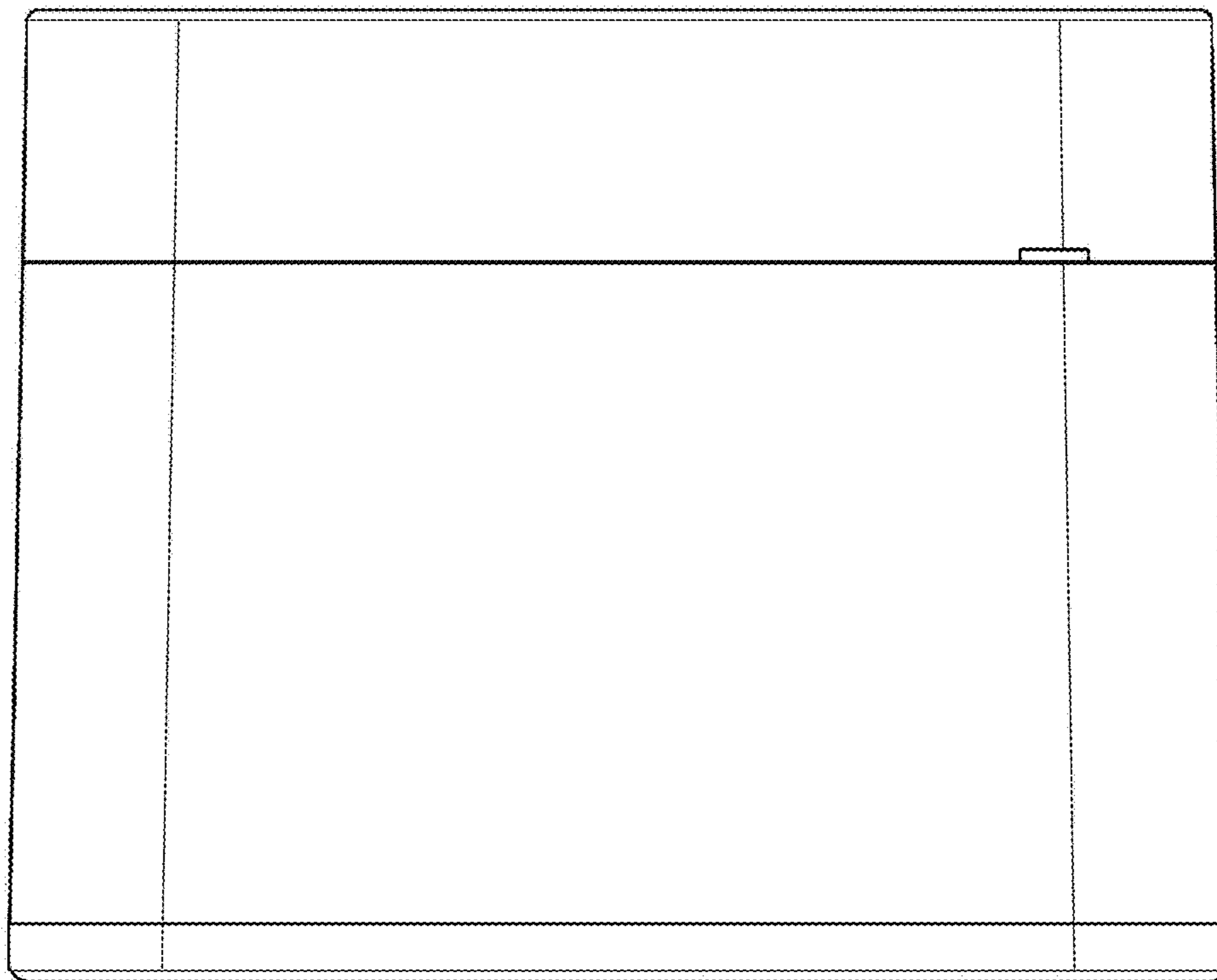


FIG. 5

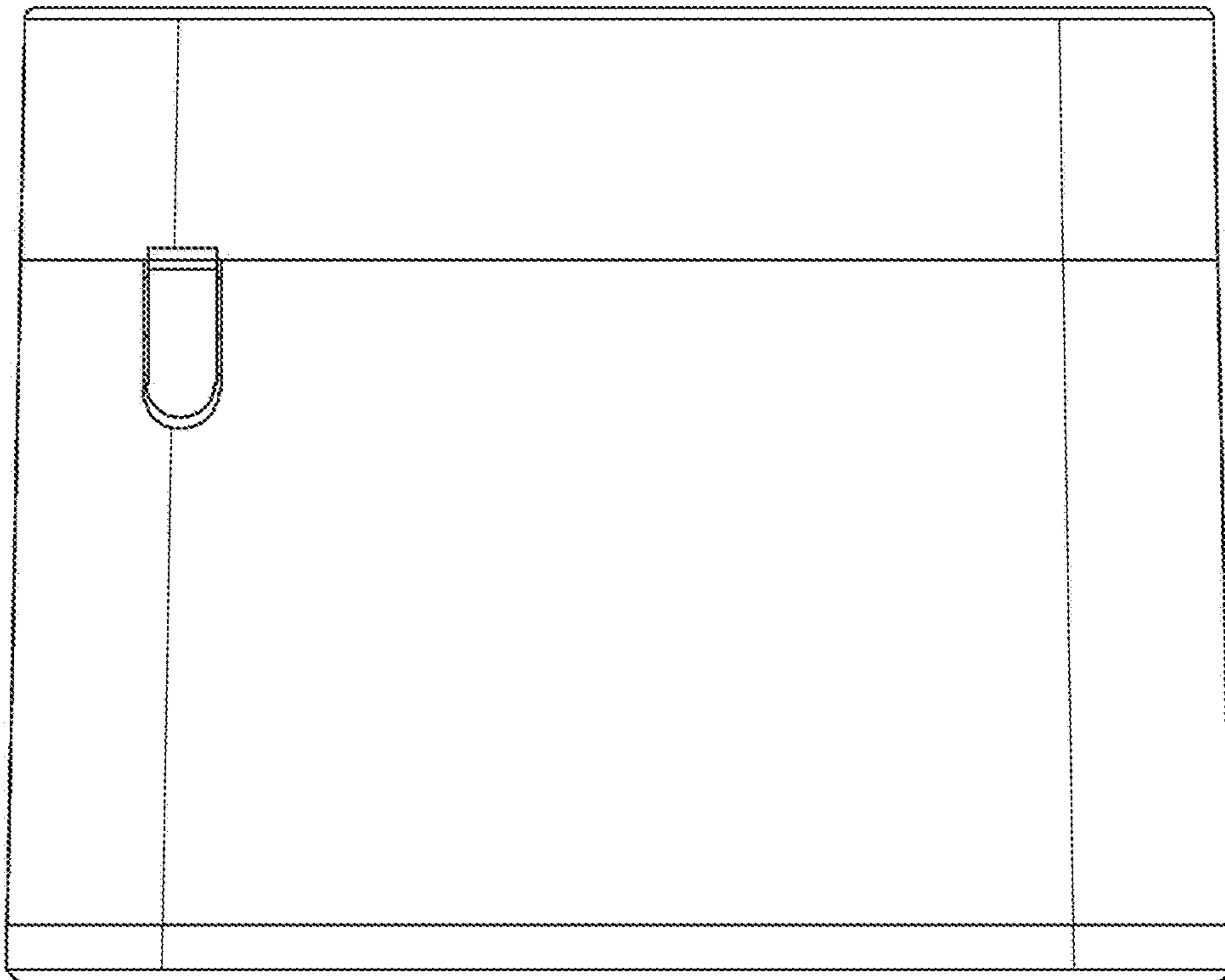


FIG. 6

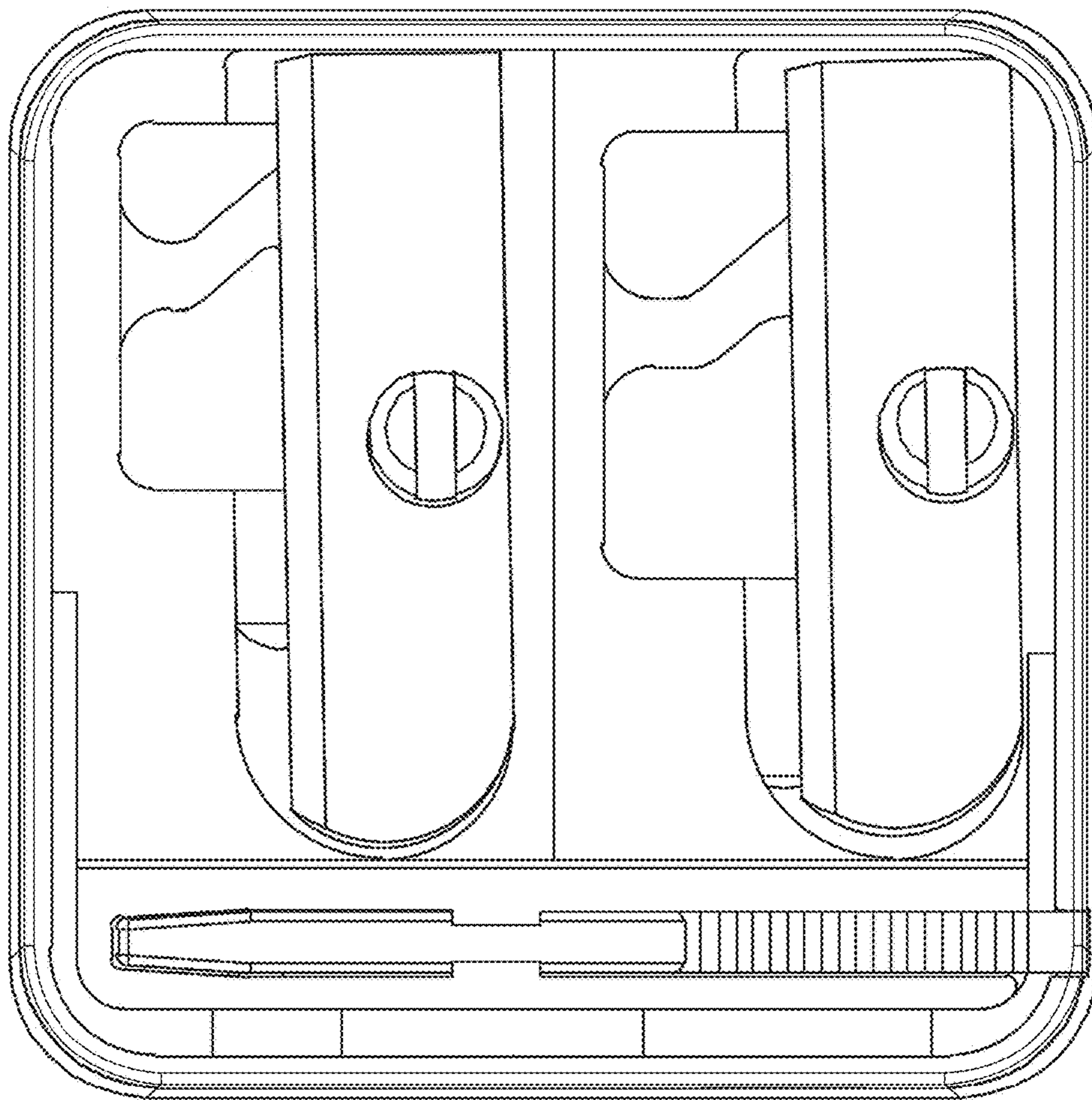


FIG. 7

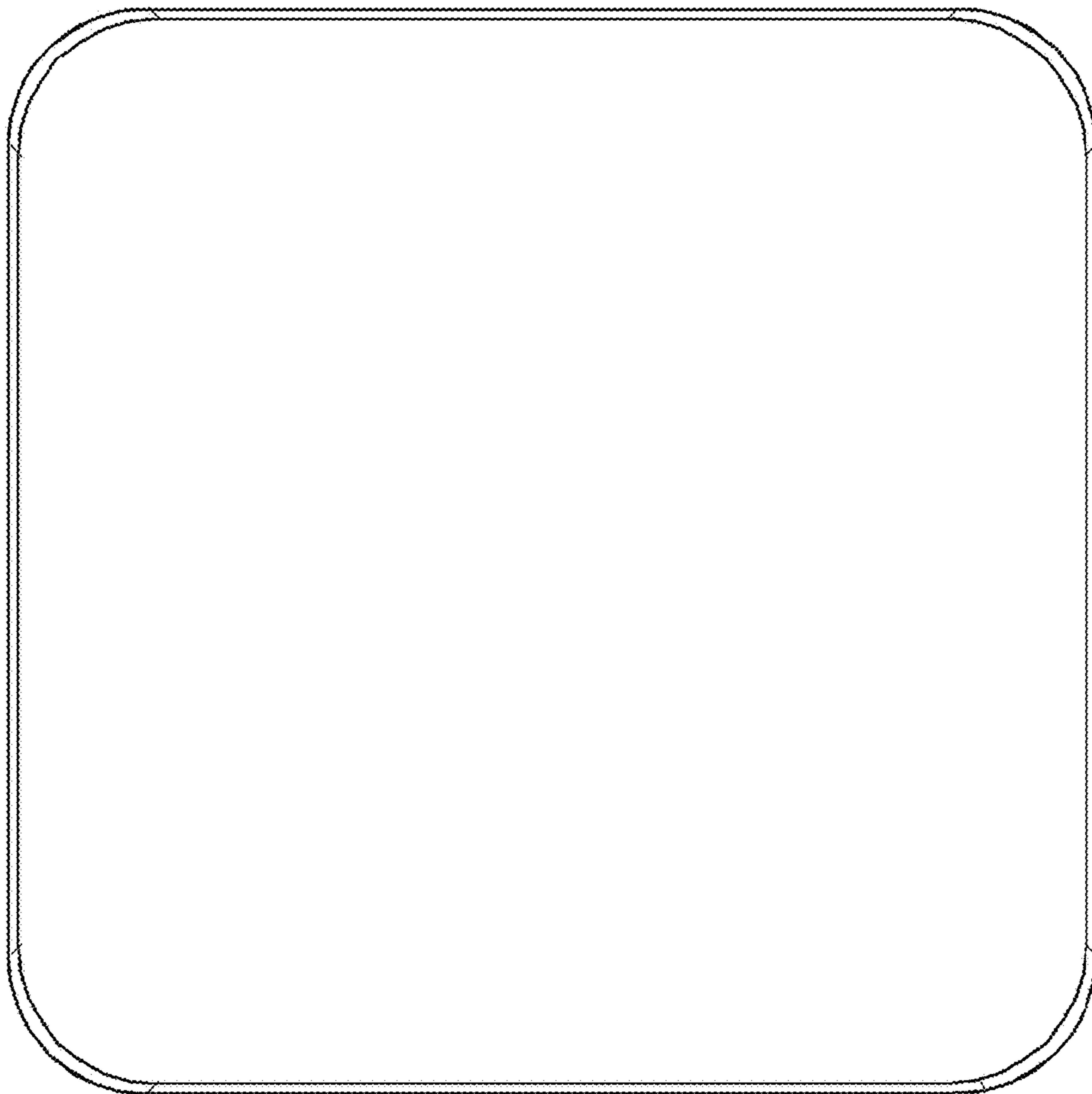


FIG. 8

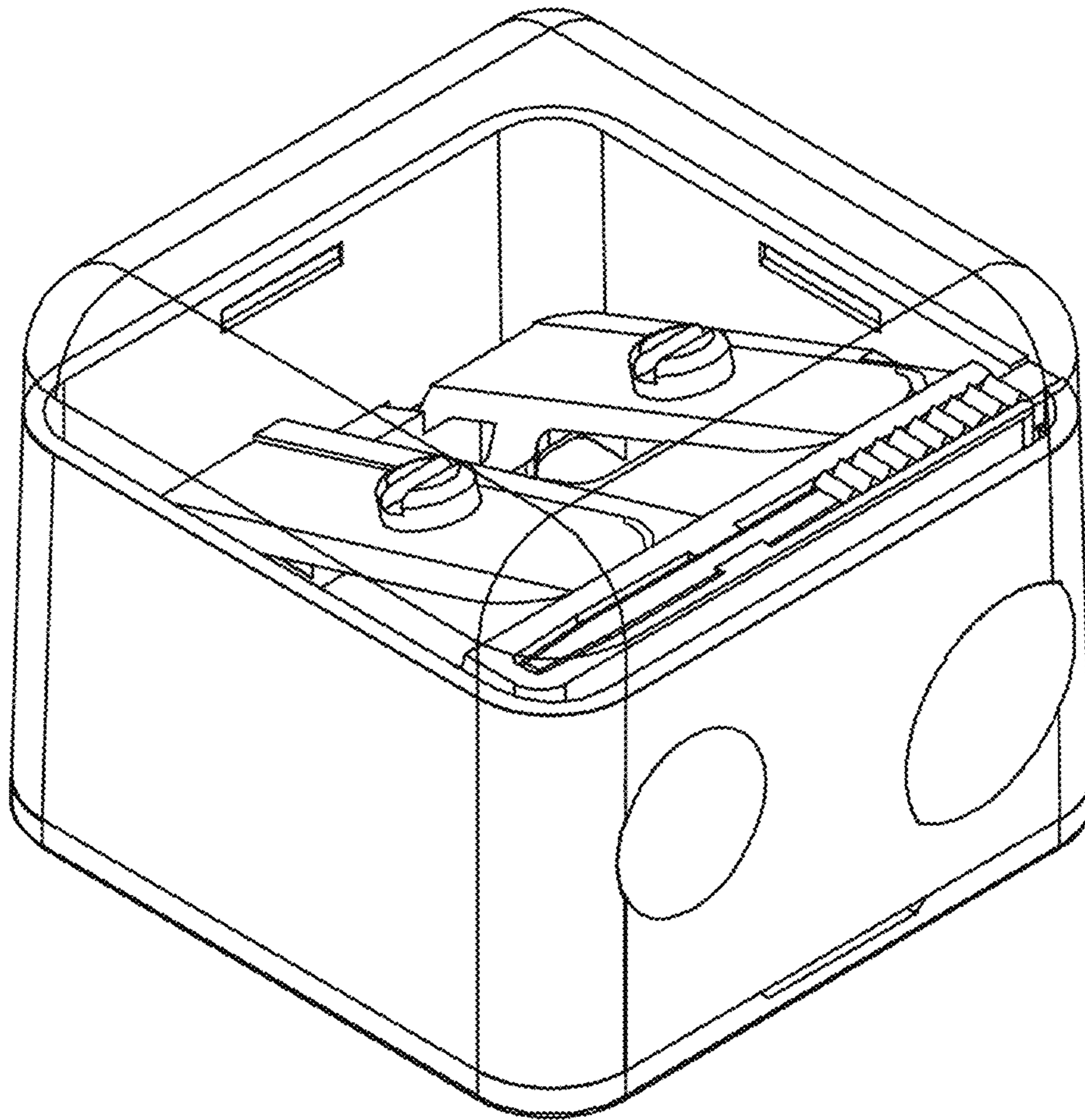


FIG. 9

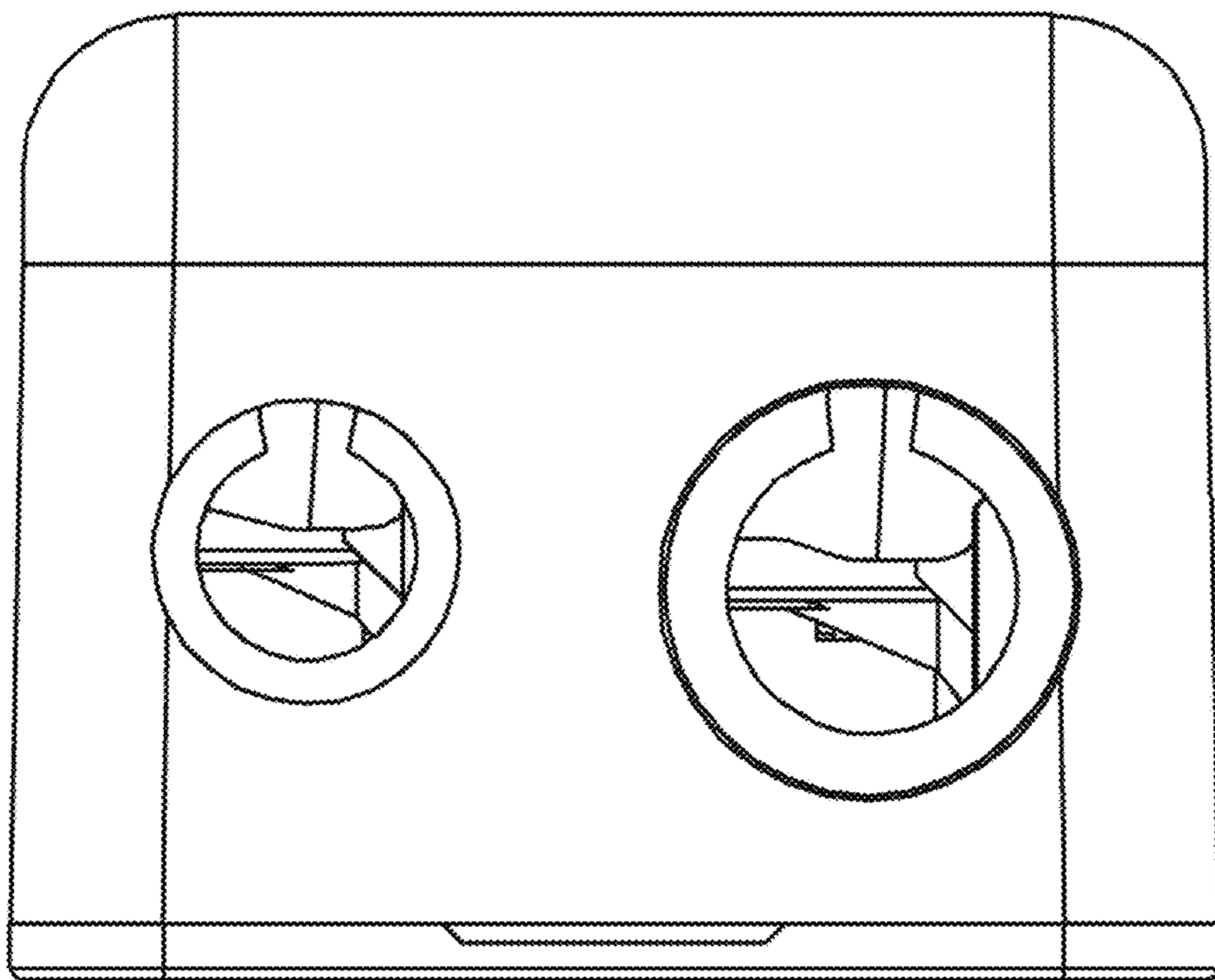


FIG. 10

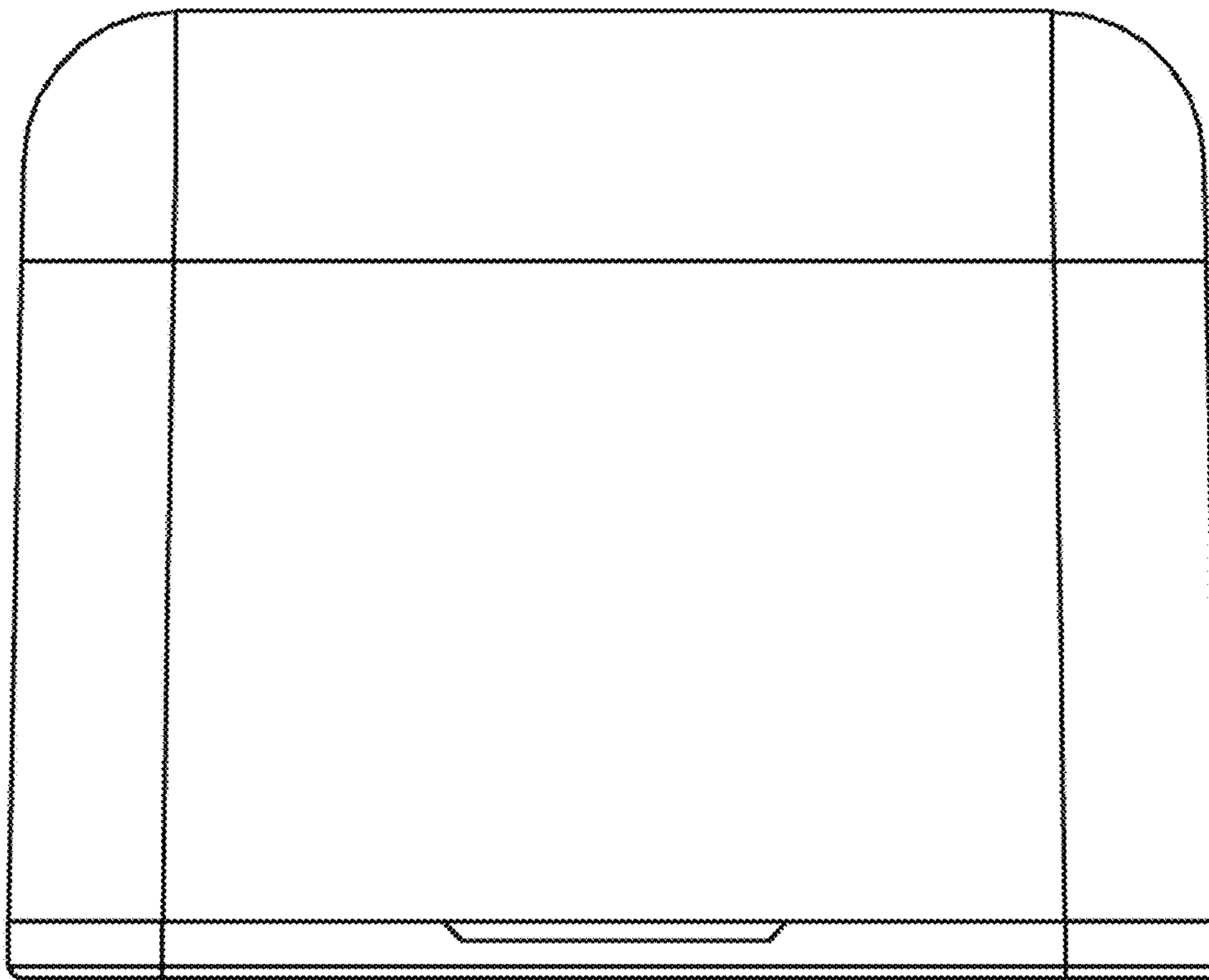


FIG. 11

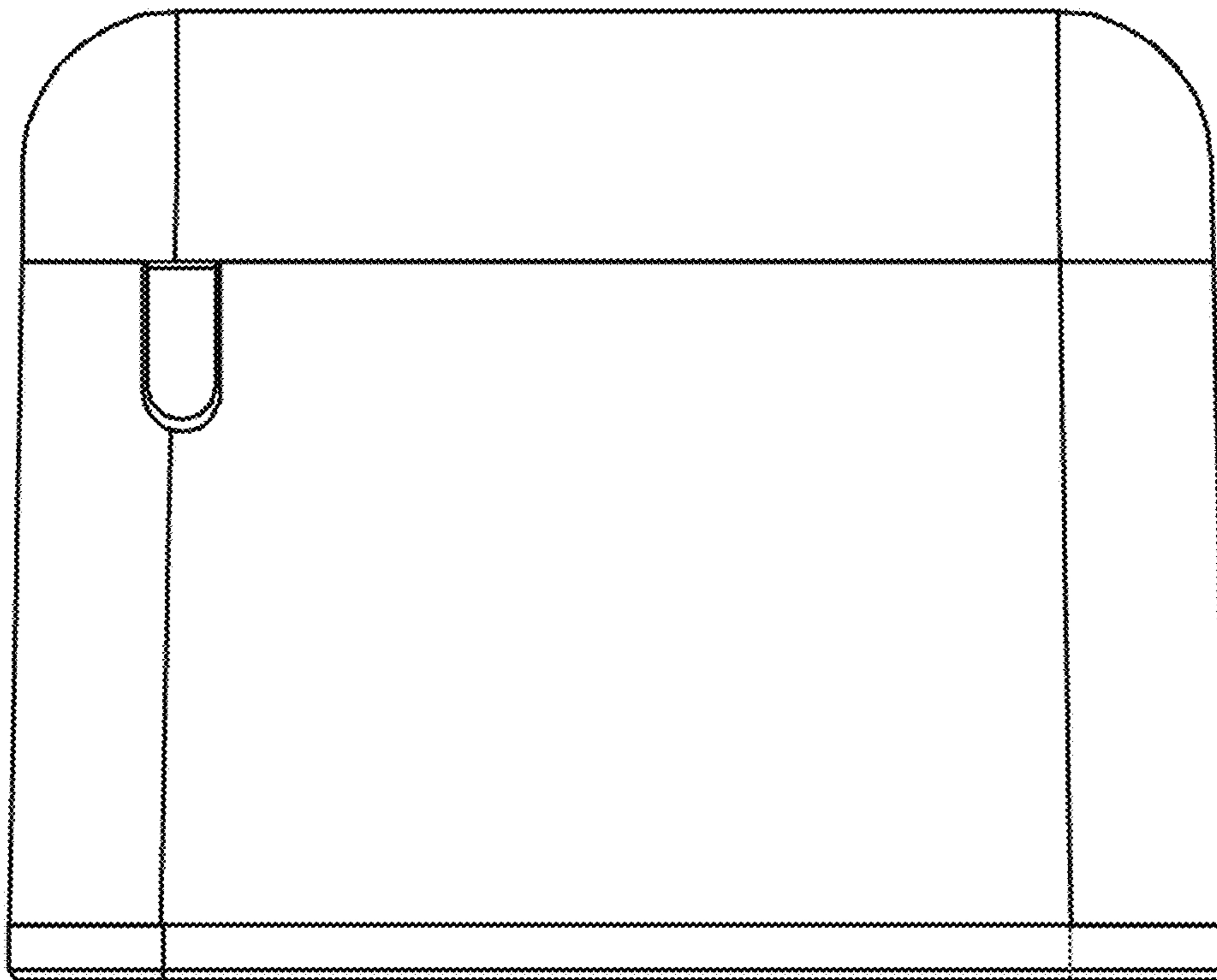


FIG. 12

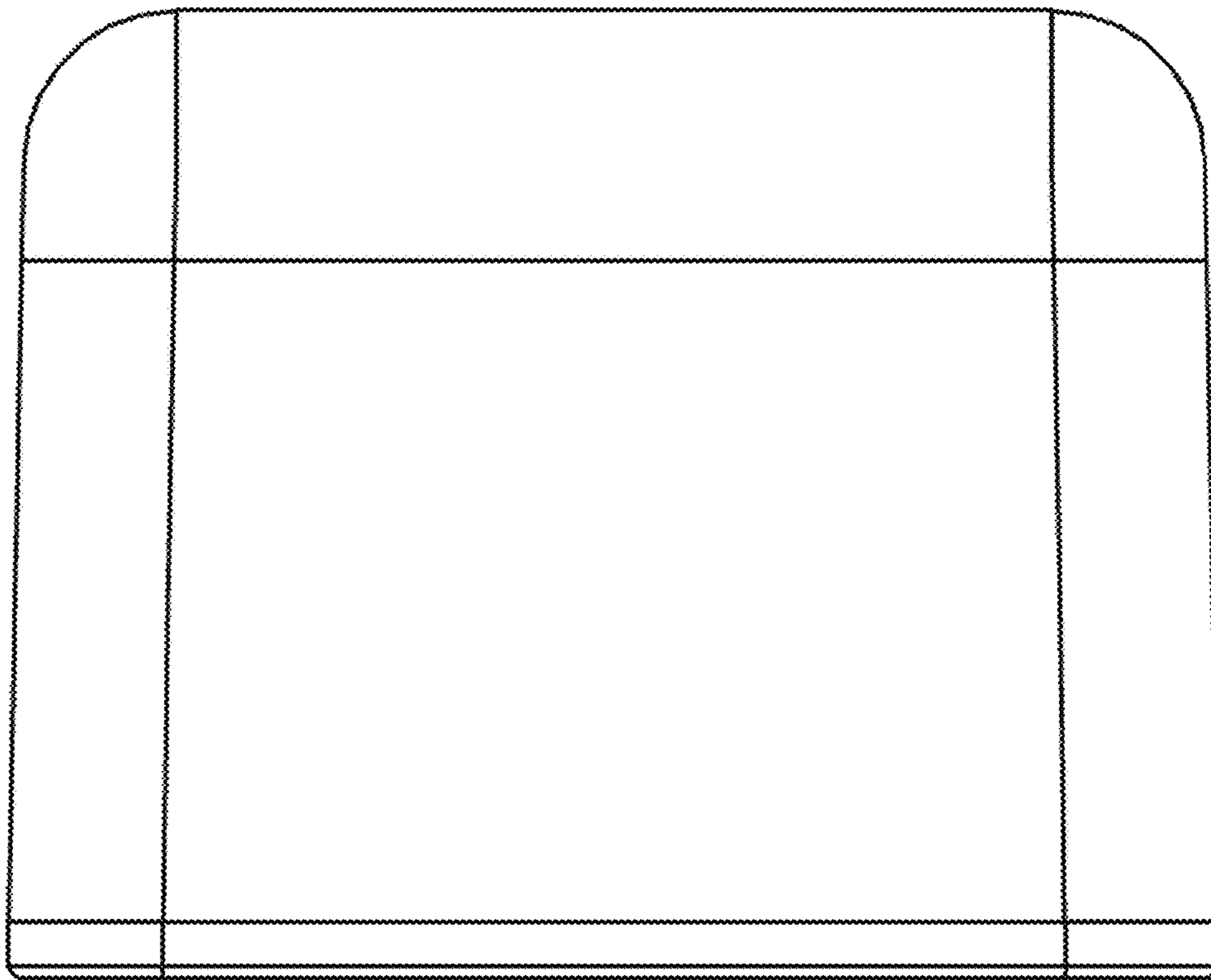


FIG. 13

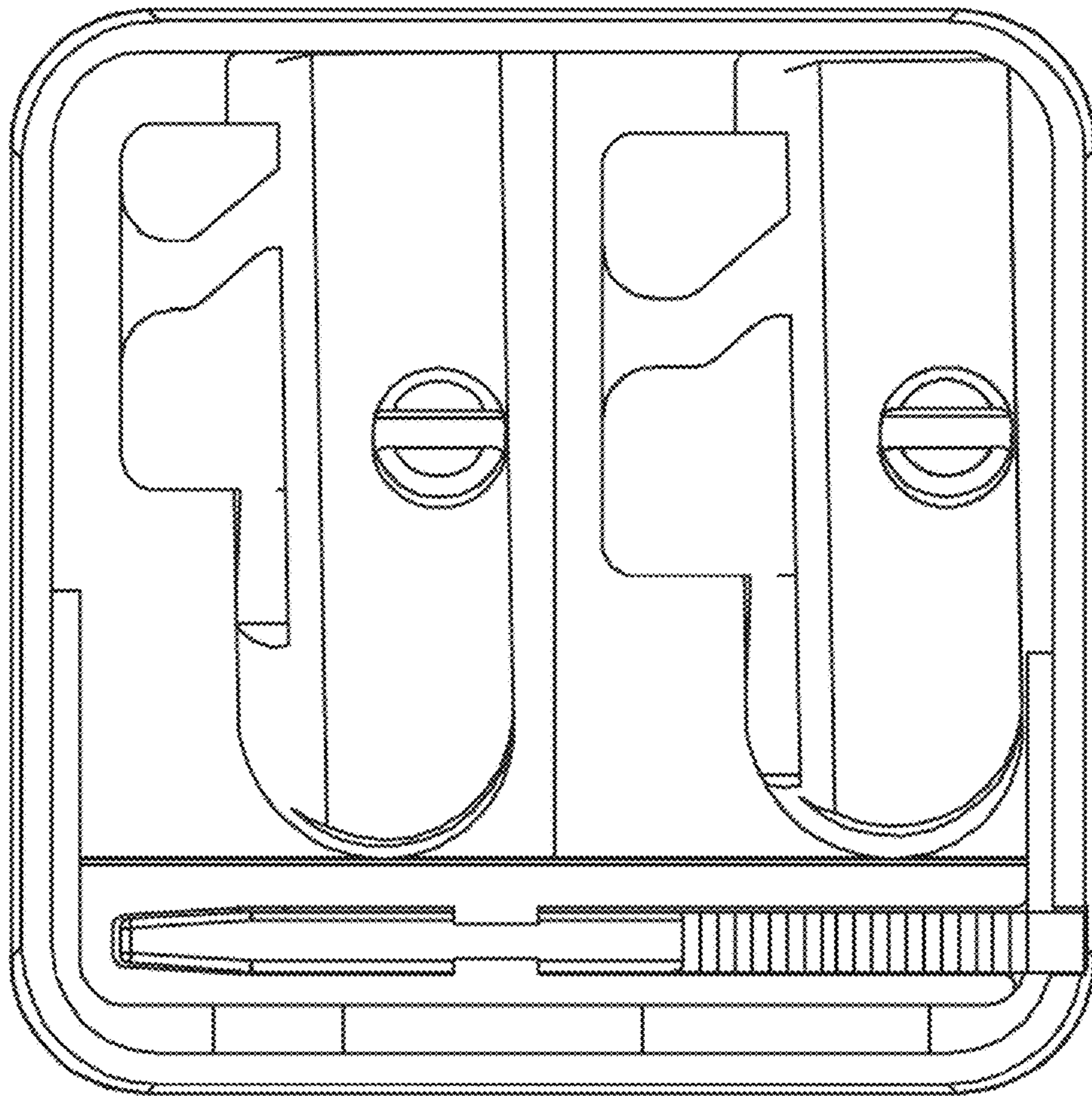


FIG. 14

