

US00D864290S

(12) **United States Design Patent**
Minami et al.

(10) **Patent No.:** **US D864,290 S**
(45) **Date of Patent:** **** Oct. 22, 2019**

(54) **PRINTER**

(71) Applicant: **SEIKO EPSON CORPORATION,**
Tokyo (JP)

(72) Inventors: **Kazuhiro Minami,** Shiojiri (JP);
Yoshiyuki Tanaka, Matsumoto (JP)

(73) Assignee: **SEIKO EPSON CORPORATION,**
Tokyo (JP)

(**) Term: **15 Years**

(21) Appl. No.: **29/633,063**

(22) Filed: **Jan. 12, 2018**

(30) **Foreign Application Priority Data**

Oct. 27, 2017 (JP) 2017-023916

(51) **LOC (12) Cl.** **18-02**

(52) **U.S. Cl.**
USPC **D18/50**

(58) **Field of Classification Search**

USPC D14/299, 301–303, 307, 332, 386,
D14/420–425, 432, 439, 441, 443, 447,
D14/462–471, 474, 480.5, 483–484;
D18/12, 14, 18–19, 36–41, 43–54, 54.1,
D18/55–59, 99

CPC .. G06K 15/12; G06K 15/14; B41J 3/00; B41J
3/28; B41J 11/00; B41J 11/58; B41J
15/12; B41J 15/042; G03G 15/00; G03G
15/0142; H04N 1/00129; H04N 1/00135;
H04N 1/00204; H04N 1/00278

See application file for complete search history.

(56) **References Cited**

U.S. PATENT DOCUMENTS

D437,878 S * 2/2001 Nakada D18/40
D512,455 S * 12/2005 Hwang D18/49

D556,257 S * 11/2007 Yamaguchi D18/55
D584,344 S * 1/2009 Lee D18/43
D591,302 S * 4/2009 Yagi D14/421
D639,849 S * 6/2011 Sato D18/50
D689,543 S * 9/2013 Seki D18/50
D694,316 S * 11/2013 Jihoon D18/50
D705,781 S * 5/2014 Yin D14/421
D708,618 S * 7/2014 Romanoff D14/422
D751,143 S * 3/2016 Kim D18/50
D756,361 S * 5/2016 Huang D14/421
D800,123 S * 10/2017 Tashima D14/421
D800,124 S * 10/2017 Asano D14/421
D815,196 S * 4/2018 Tanaka D18/50
D827,021 S * 8/2018 Asano D18/50
D843,444 S * 3/2019 Tanaka D18/50

(Continued)

Primary Examiner — Cathron C Brooks
Assistant Examiner — Andrew T Nemeth

(57) **CLAIM**

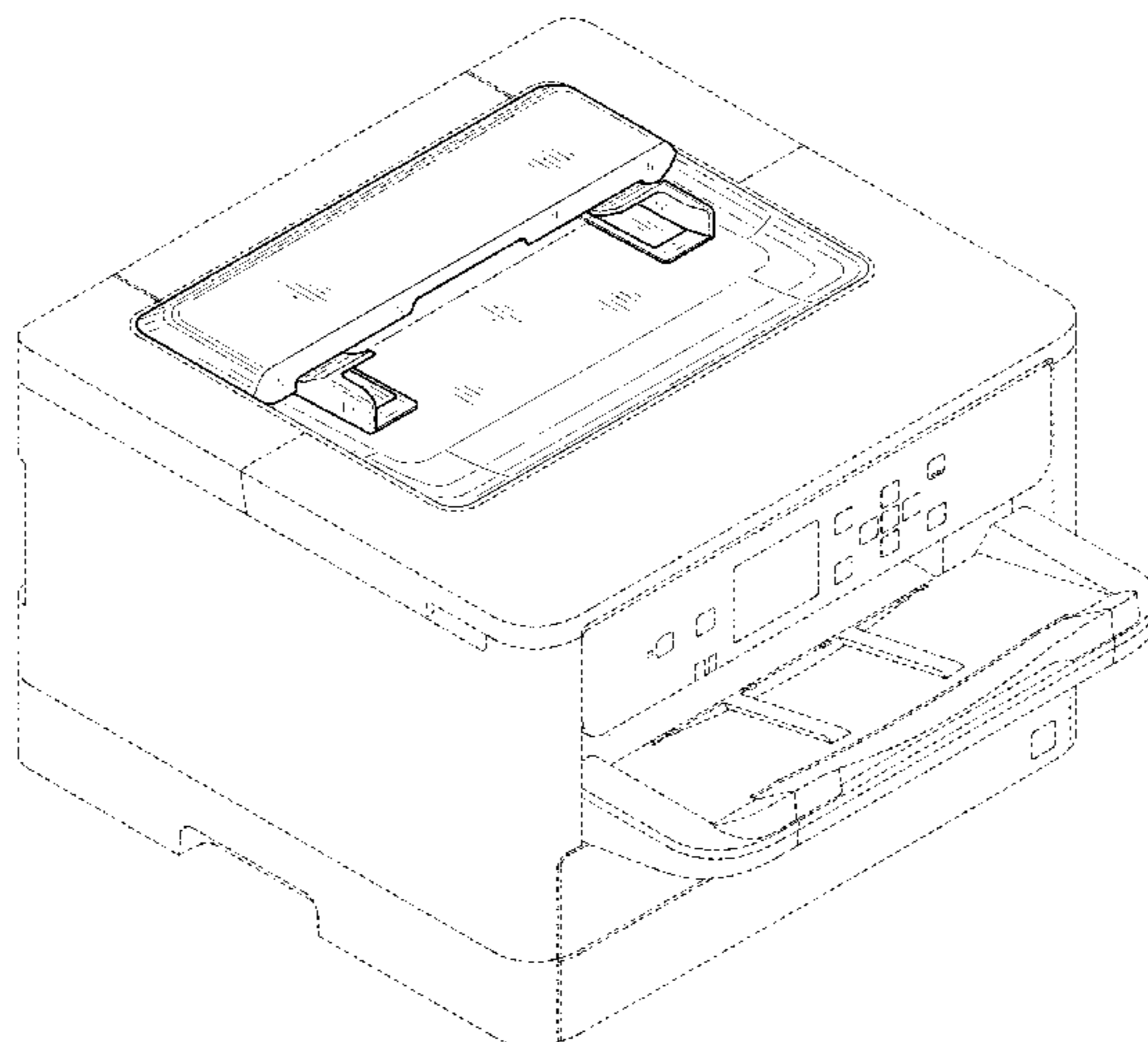
The ornamental design for a printer, as shown and described.

DESCRIPTION

FIG. 1 is a front, top and left side perspective view of a printer showing our new design;
FIG. 2 is a front view thereof;
FIG. 3 is a rear view thereof;
FIG. 4 is a top plan view thereof;
FIG. 5 is a bottom plan view thereof;
FIG. 6 is a right side view thereof;
FIG. 7 is a left side view thereof;
FIG. 8 is a front and right side perspective view thereof; and,
FIG. 9 is an enlarged view of the portion indicated by lines 9-9 in FIG. 8.

The broken lines illustrate portions of the printer and form no part of the claimed design. The dash-dotted lines denote the boundary of the claim and form no part of the claimed design.

1 Claim, 9 Drawing Sheets



(56)

References Cited

U.S. PATENT DOCUMENTS

2007/0201109 A1* 8/2007 Osakabe H04N 1/00519
358/474
2010/0245948 A1* 9/2010 Takeuchi H04N 1/0057
358/498
2012/0081761 A1* 4/2012 Nakamura H04N 1/00803
358/474
2013/0114116 A1* 5/2013 Ikeno H04N 1/193
358/474

* cited by examiner

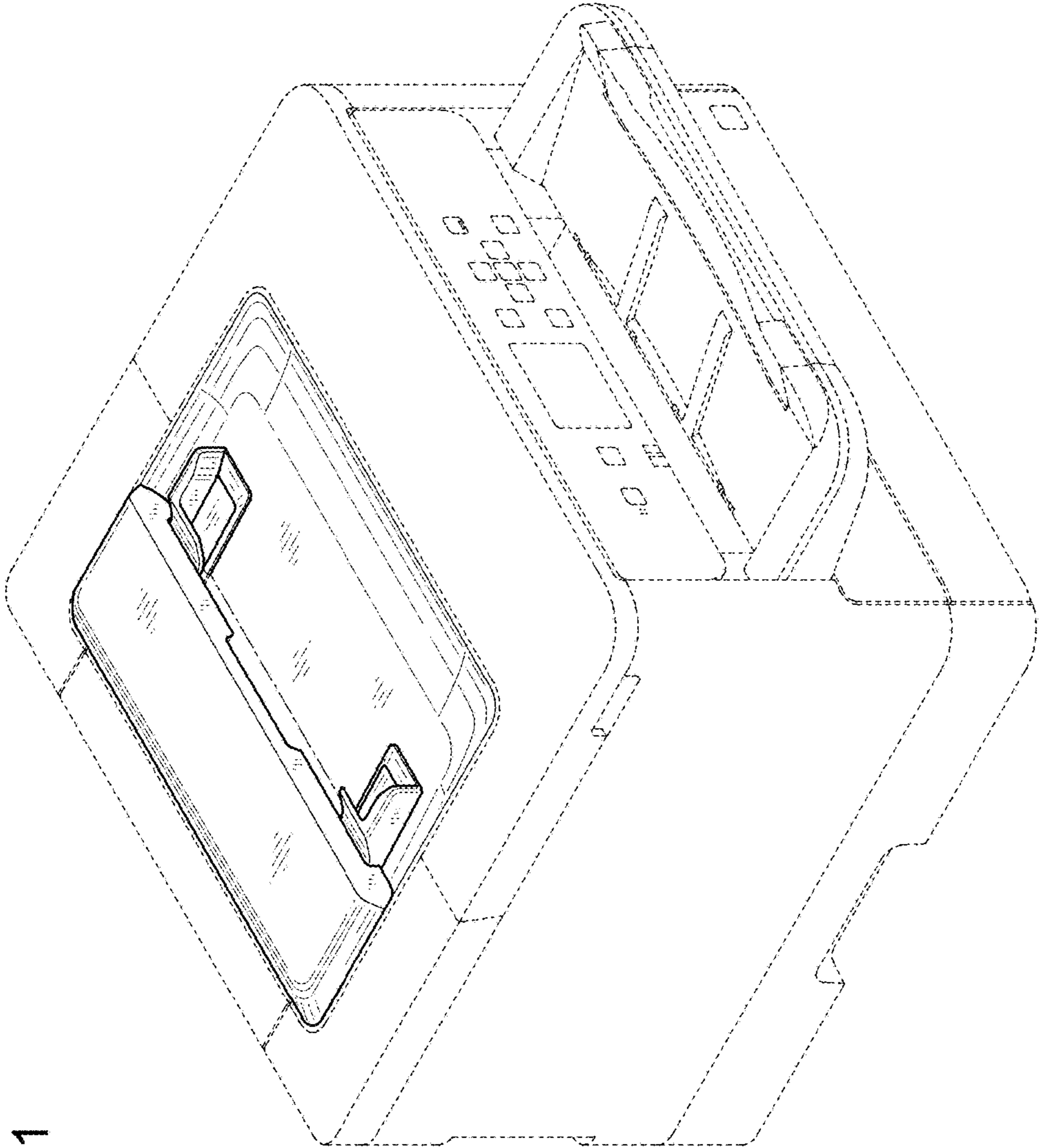


FIG.1

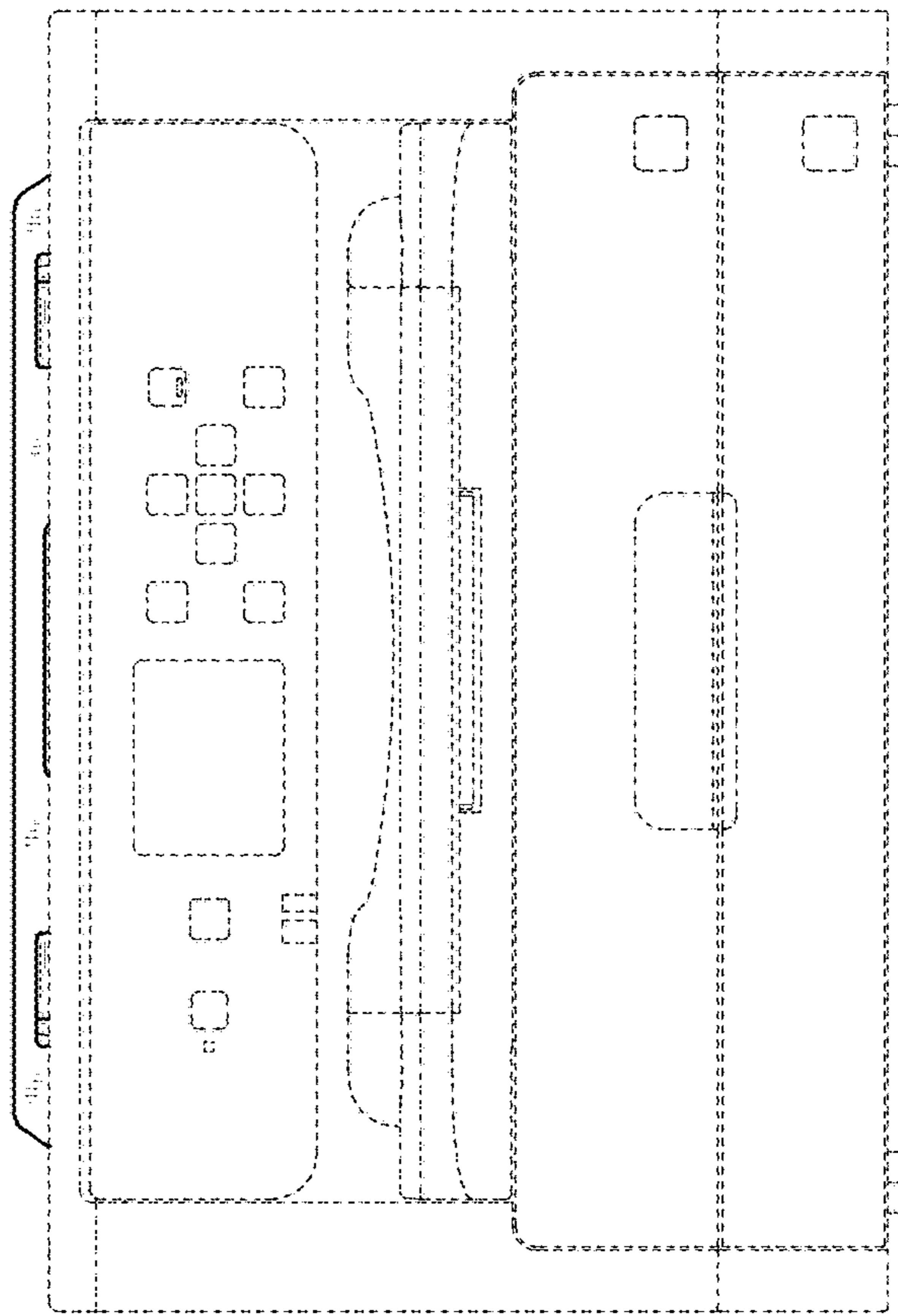


FIG.2

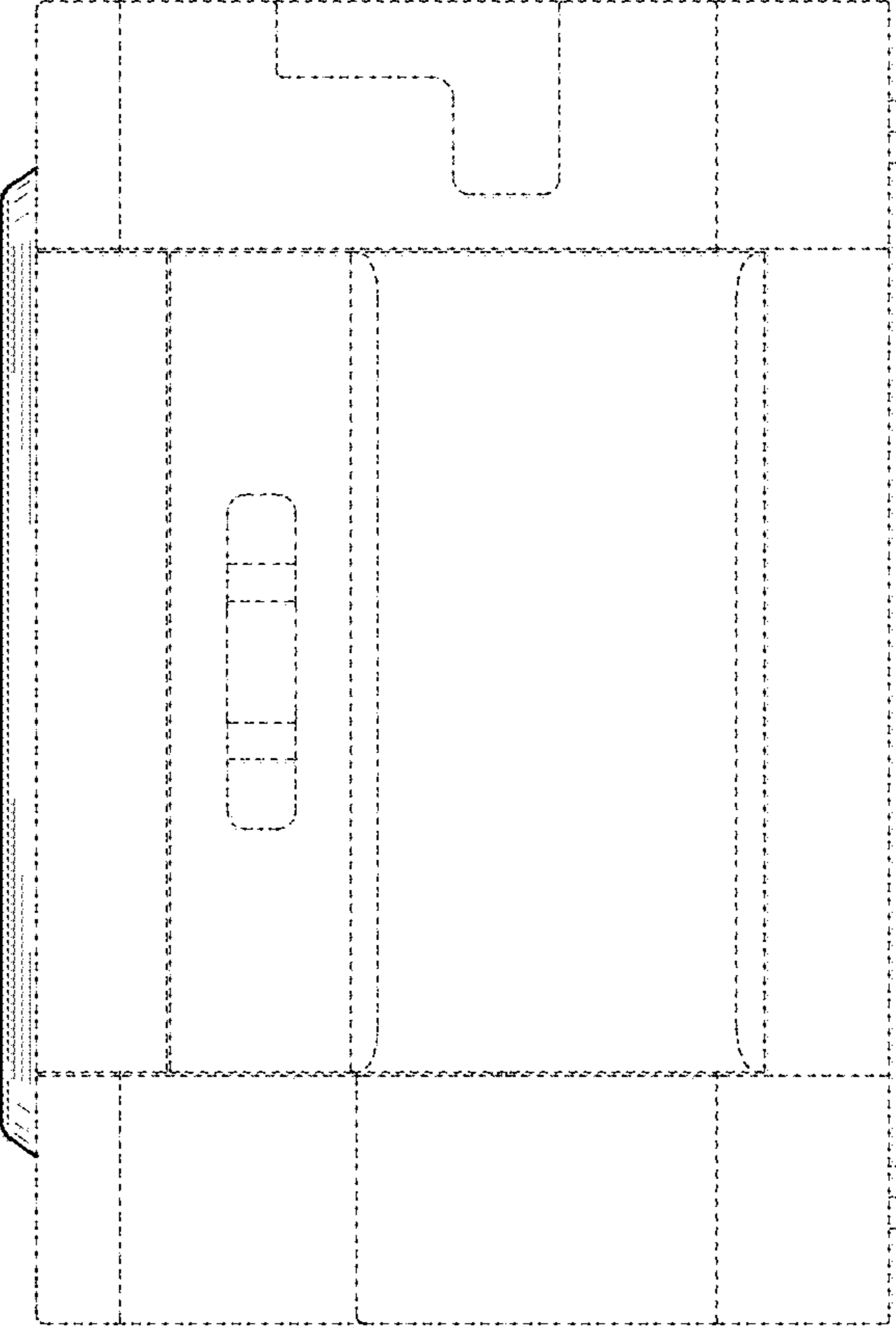


FIG.3

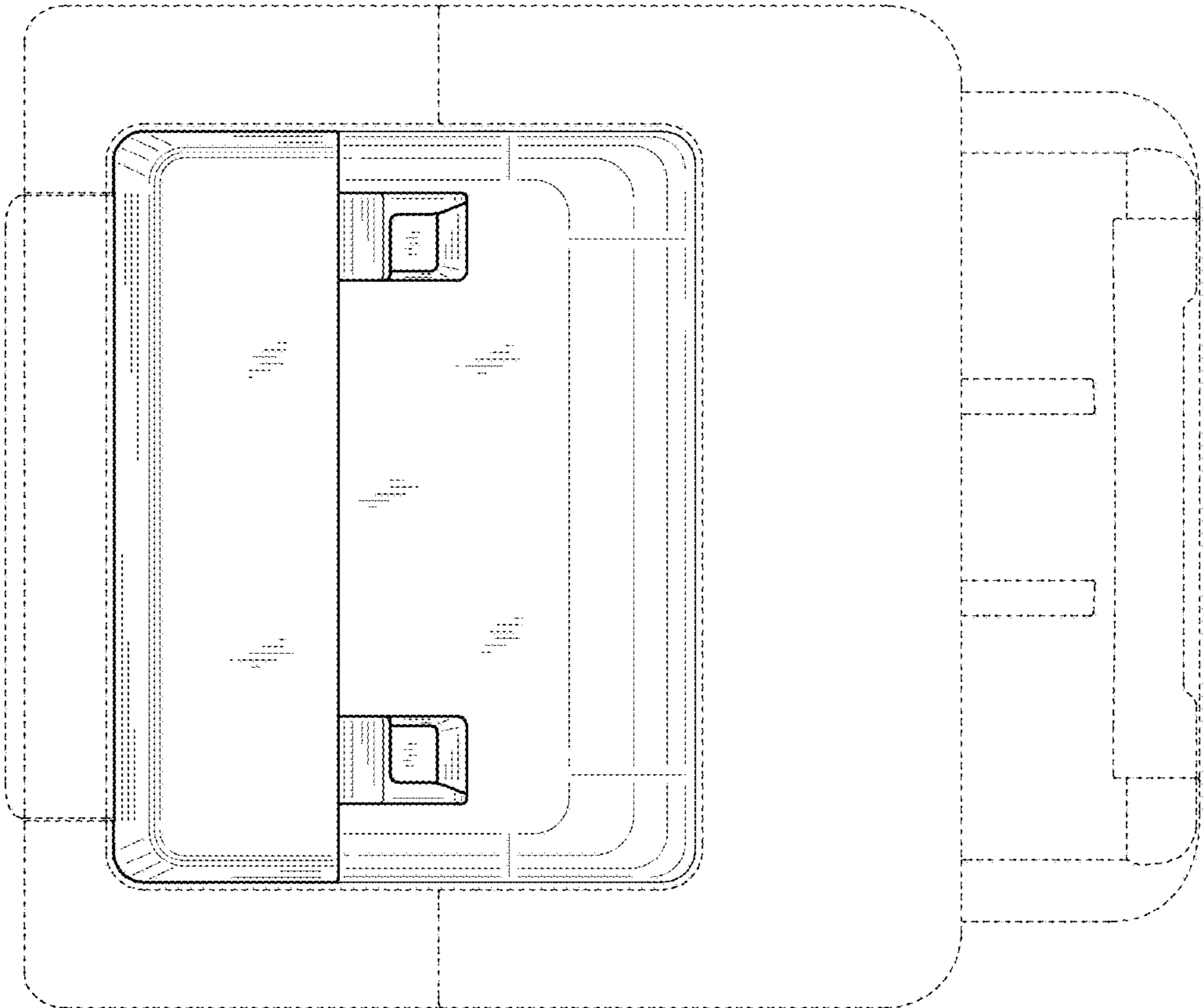


FIG.4

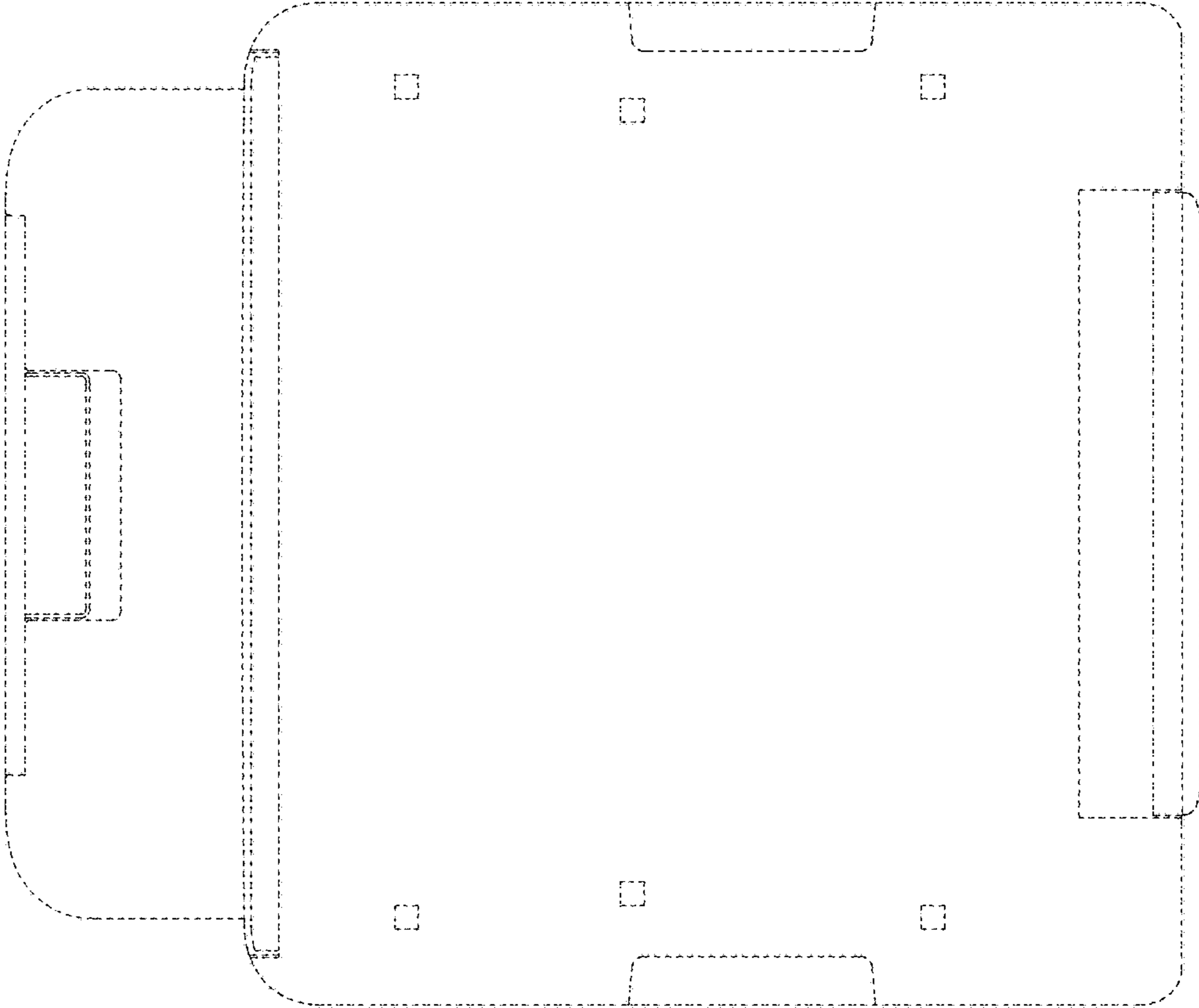


FIG. 5

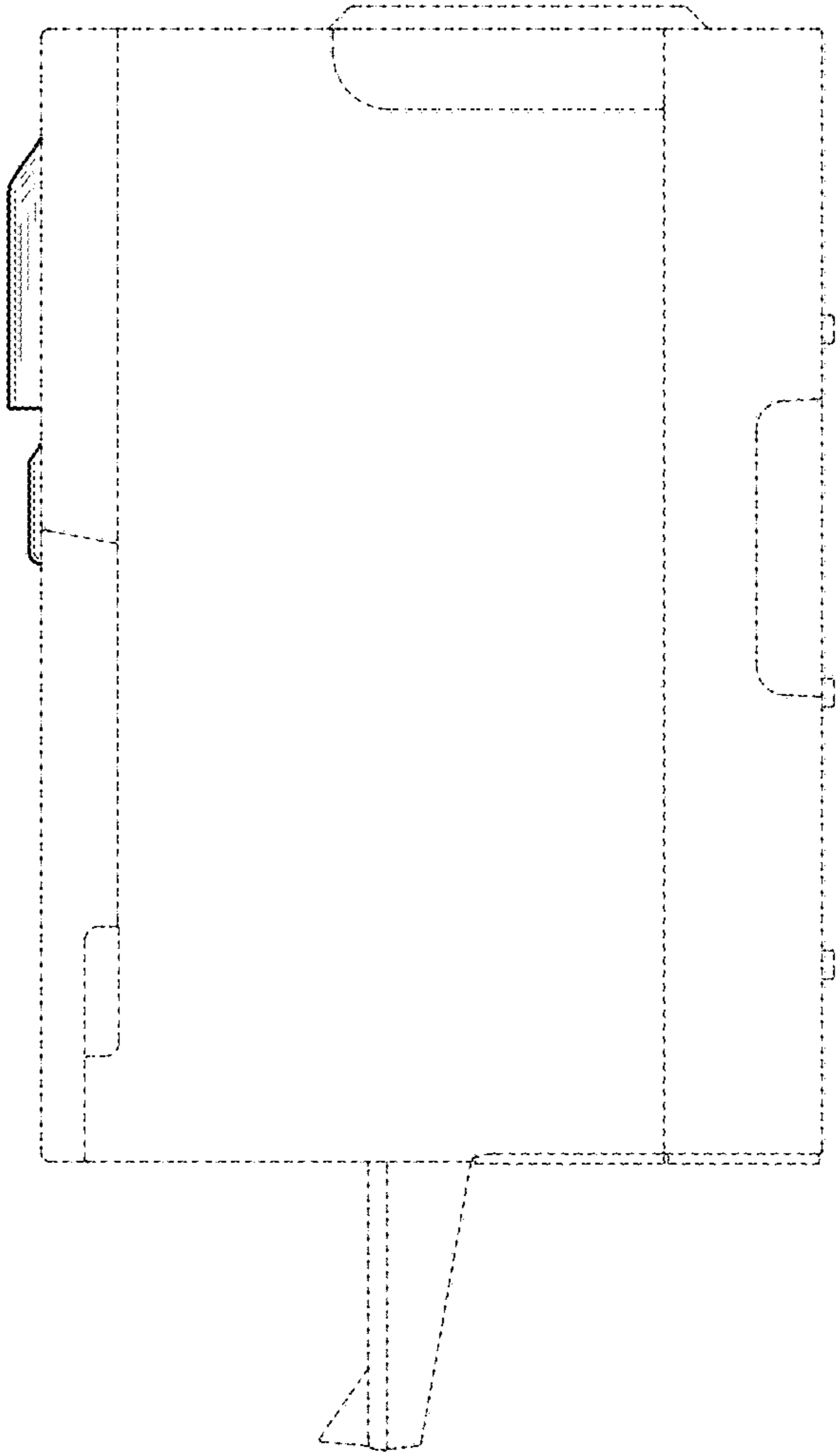


FIG. 6

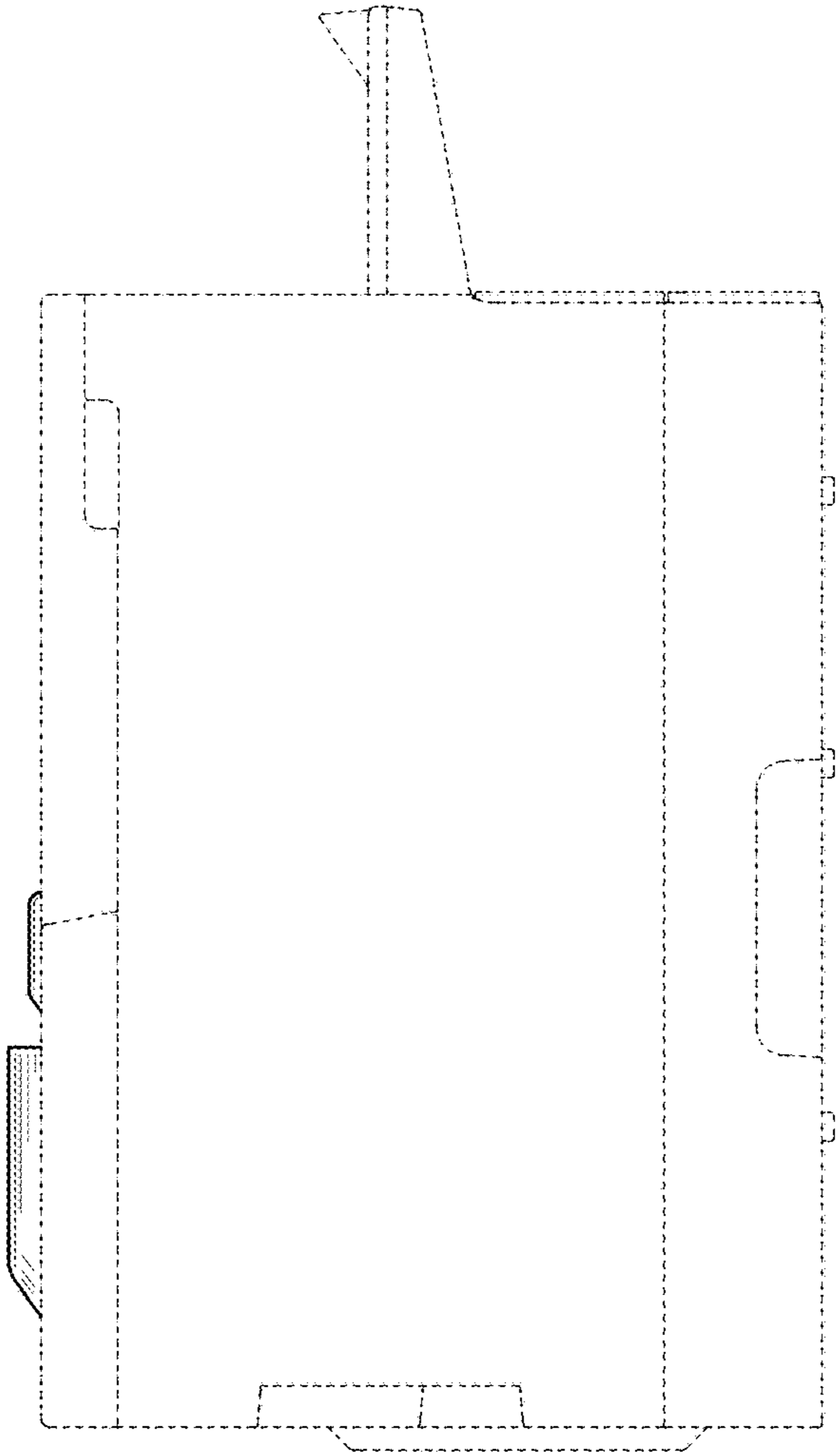


FIG. 7

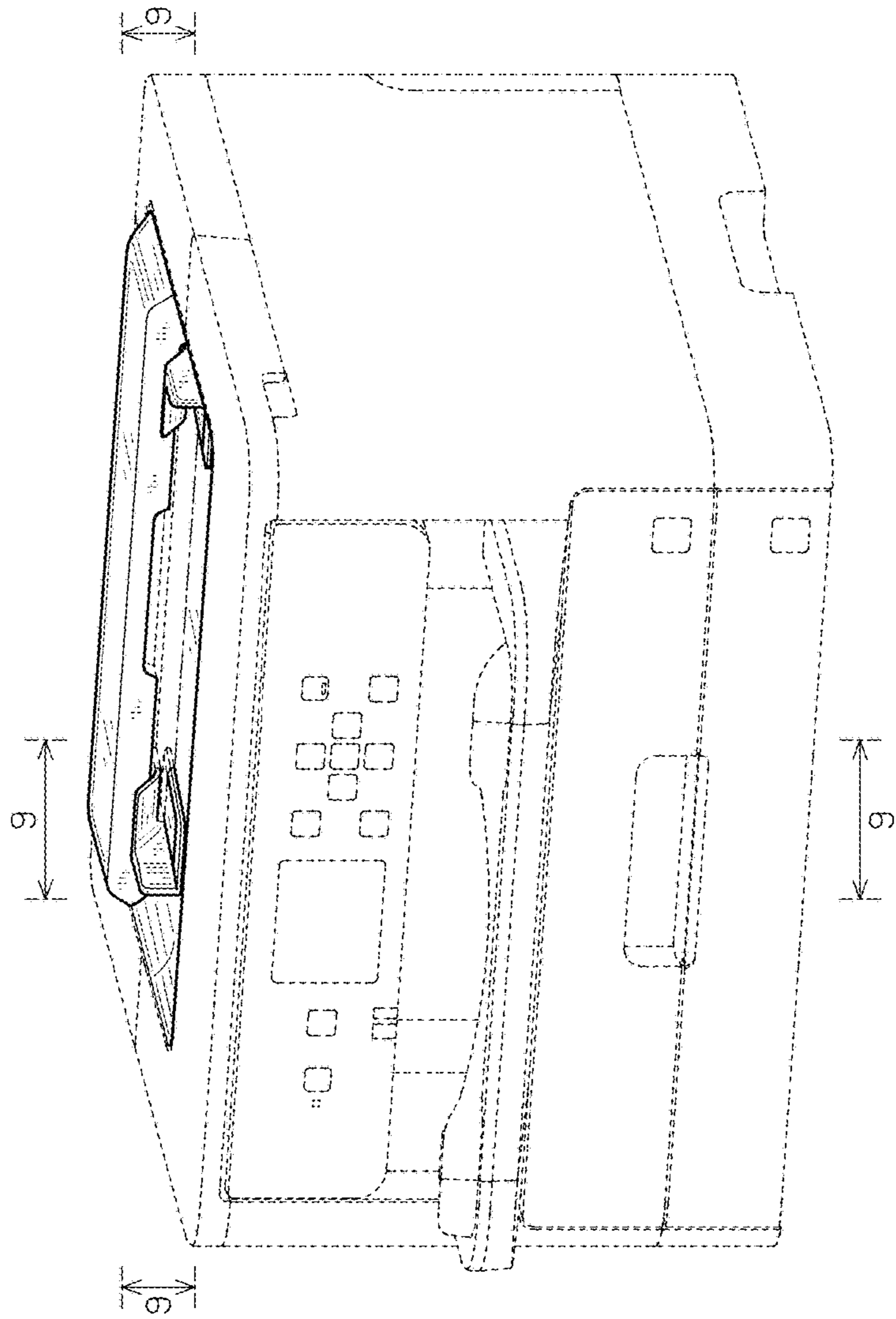


FIG.8

FIG.9

