



US00D864289S

(12) **United States Design Patent**
Higuchi et al.

(10) **Patent No.:** **US D864,289 S**

(45) **Date of Patent:** **** Oct. 22, 2019**

(54) **PRINTER**

(71) Applicant: **SEIKO EPSON CORPORATION,**
Tokyo (JP)

(72) Inventors: **Tomoyuki Higuchi,** Shiojiri (JP);
Yusuke Yamashita, Matsumoto (JP);
Ichiro Yoshioka, Matsumoto (JP);
Natsumi Watarai, Matsumoto (JP)

(73) Assignee: **SEIKO EPSON CORPORATION,**
Tokyo (JP)

(**) Term: **15 Years**

(21) Appl. No.: **29/622,828**

(22) Filed: **Oct. 19, 2017**

(30) **Foreign Application Priority Data**

Apr. 21, 2017 (JP) 2017-008550
Apr. 21, 2017 (JP) 2017-008551
Apr. 21, 2017 (JP) 2017-008552

(51) **LOC (12) Cl.** **14-02**

(52) **U.S. Cl.**
USPC **D18/50**

(58) **Field of Classification Search**

USPC D14/299, 301-303, 307, 332, 386,
D14/420-425, 432, 439, 441, 443, 447,
D14/462-471, 474, 480.5, 483-484;
D18/12, 14, 18-19, 36-41, 43-59, 54.1,
D18/99

CPC .. G06K 15/12; G06K 15/14; B41J 3/00; B41J
3/28; B41J 11/00; B41J 11/58; B41J
15/12; B41J 15/042; G03G 15/00; G03G
15/0142; H04N 1/00129; H04N 1/00135;
H04N 1/00204; H04N 1/00278

See application file for complete search history.

(56) **References Cited**

U.S. PATENT DOCUMENTS

D348,899 S * 7/1994 Masujima D18/50
D402,689 S * 12/1998 Brown D18/55

D406,274 S * 3/1999 Brown D18/55
D537,113 S * 2/2007 Gant D18/50
D537,477 S * 2/2007 Lim D18/55
D538,334 S * 3/2007 Lee D18/55
D554,699 S * 11/2007 Tate D18/55
D614,234 S * 4/2010 Ishikawa D18/55

(Continued)

FOREIGN PATENT DOCUMENTS

JP 1575396 S 5/2017

OTHER PUBLICATIONS

Epson EcoTank ET-2710 Print/Scan/Copy Wi-Fi Printer, available
Sep. 11, 2018, amazon.co.uk [online]. Retrieved May 24, 2019 from
internet <URL:https://www.amazon.co.uk/Epson-EcoTank-2710-
Print-Printer/dp/B07J5Q2YJY> (Year: 2018).*

(Continued)

Primary Examiner — Cathron C Brooks
Assistant Examiner — Andrew T Nemeth

(57) **CLAIM**

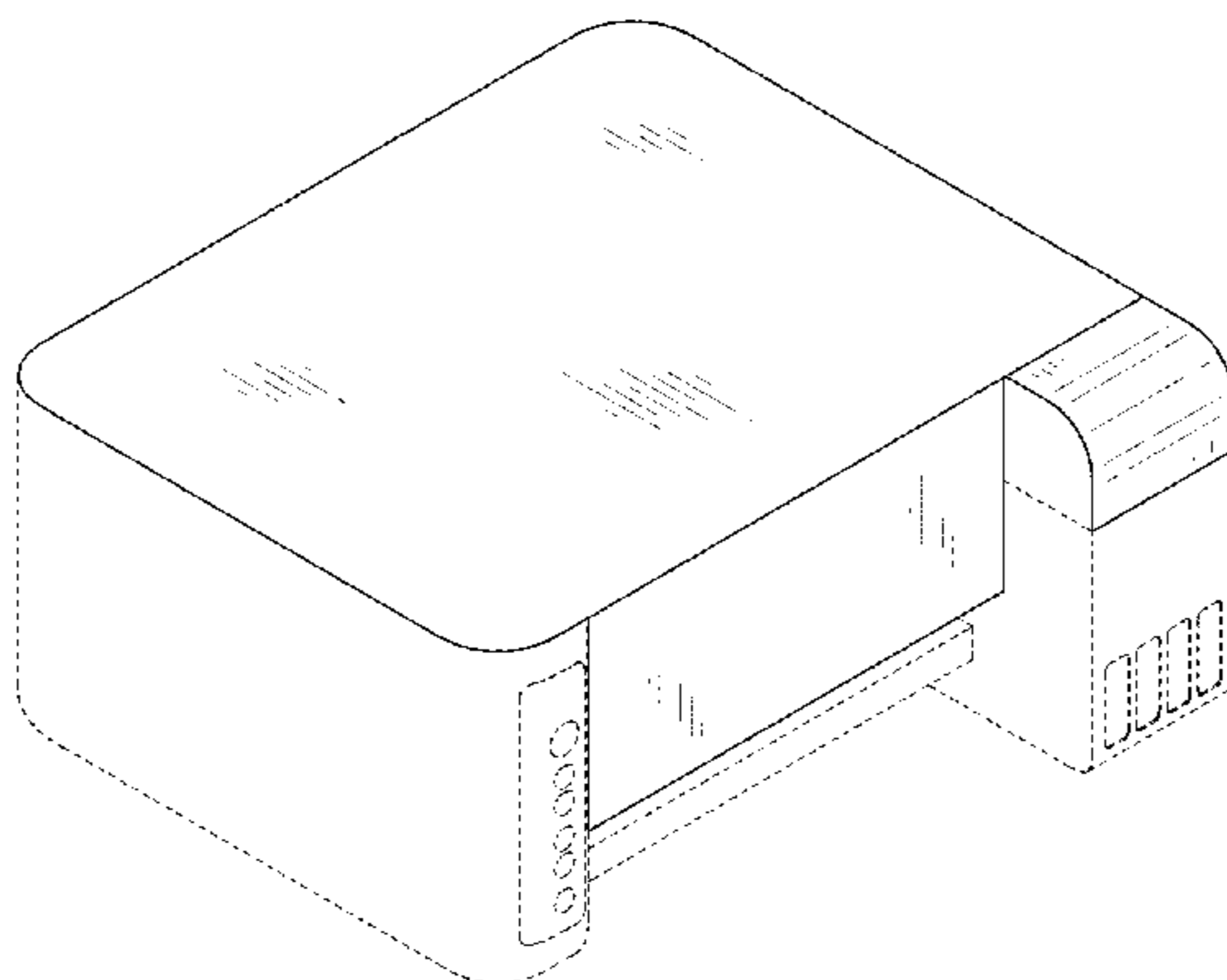
The ornamental design for a printer, as shown and described.

DESCRIPTION

FIG. 1 is a front, top and left side perspective view of a
printer showing our new design;
FIG. 2 is a front view thereof;
FIG. 3 is a rear view thereof;
FIG. 4 is a top plan view thereof;
FIG. 5 is a bottom plan view thereof;
FIG. 6 is a right side view thereof; and,
FIG. 7 is a left side view thereof.

The broken lines illustrate portions of the printer and form
no part of the claimed design.

1 Claim, 7 Drawing Sheets



(56)

References Cited

U.S. PATENT DOCUMENTS

D671,593	S *	11/2012	Kinoshita	D18/55
D677,719	S *	3/2013	Inoue	D18/50
D677,720	S *	3/2013	Tanaka	D18/55
D678,402	S *	3/2013	Sato	D18/50
D730,437	S *	5/2015	Seki	D18/50
D737,895	S *	9/2015	Nanno	D18/50
D809,059	S *	1/2018	Yamashita	D18/56
D817,391	S *	5/2018	Chin	D18/55
D827,705	S *	9/2018	Gosselin	D18/34.3
D829,276	S *	9/2018	Higuchi	D18/50
D839,342	S *	1/2019	Higuchi	D18/50
10,183,495	B2 *	1/2019	Kudo	B41J 2/19
D841,085	S *	2/2019	Higuchi	D18/50
2006/0082622	A1 *	4/2006	Yonekawa	B41J 2/17509 347/85
2017/0182813	A1 *	6/2017	Suzuki	B41J 2/01
2018/0178567	A1 *	6/2018	Takabayashi	B41J 2/17509
2018/0194142	A1 *	7/2018	Tanaka	B41J 2/17509

OTHER PUBLICATIONS

Design U.S. Appl. No. 29/588,629 to Yusuke Yamashita et al., filed Dec. 22, 2016.

Design U.S. Appl. No. 29/605,646 to Tomoyuki Higuchi et al., filed May 29, 2017.

* cited by examiner

Fig.1

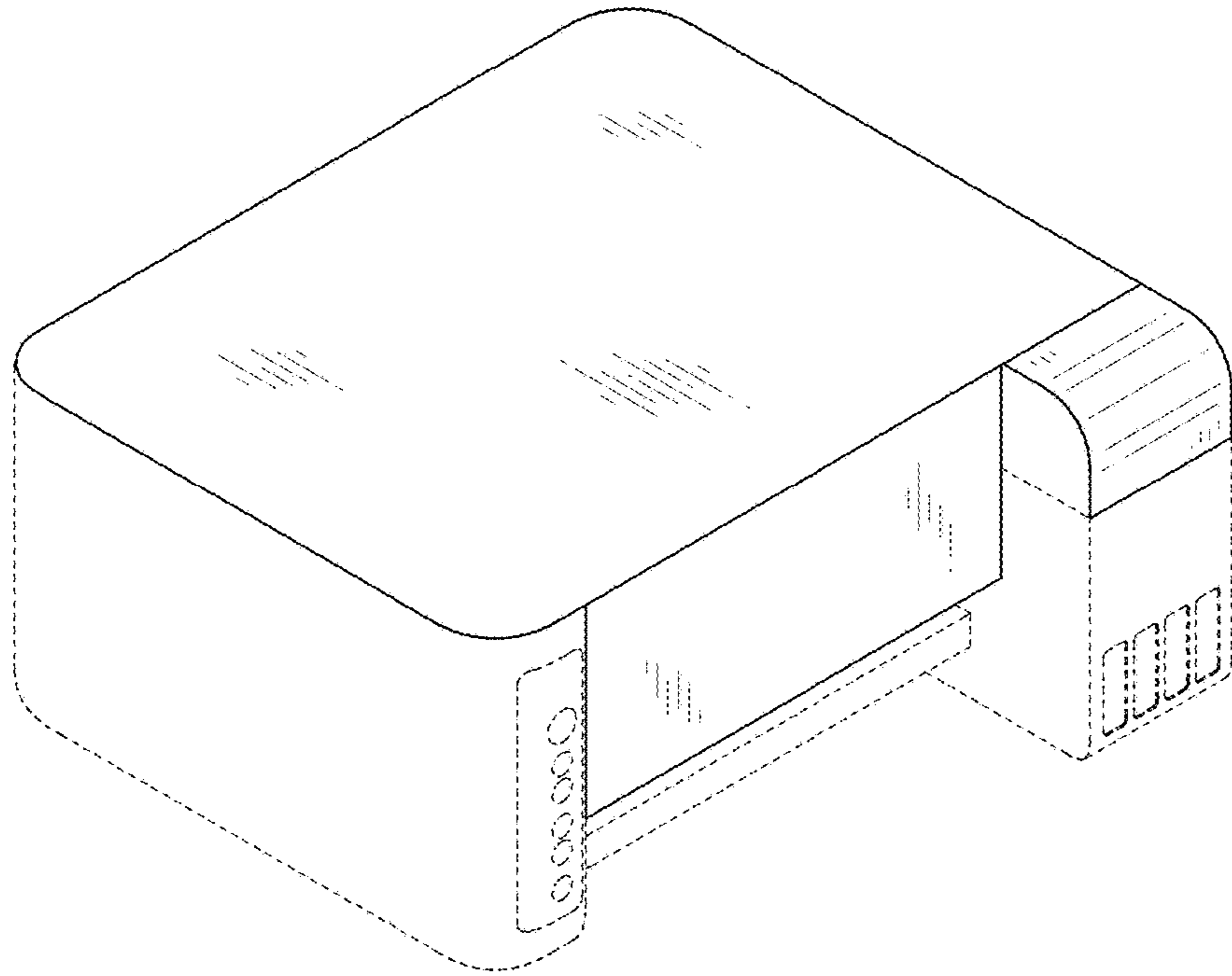


Fig.2

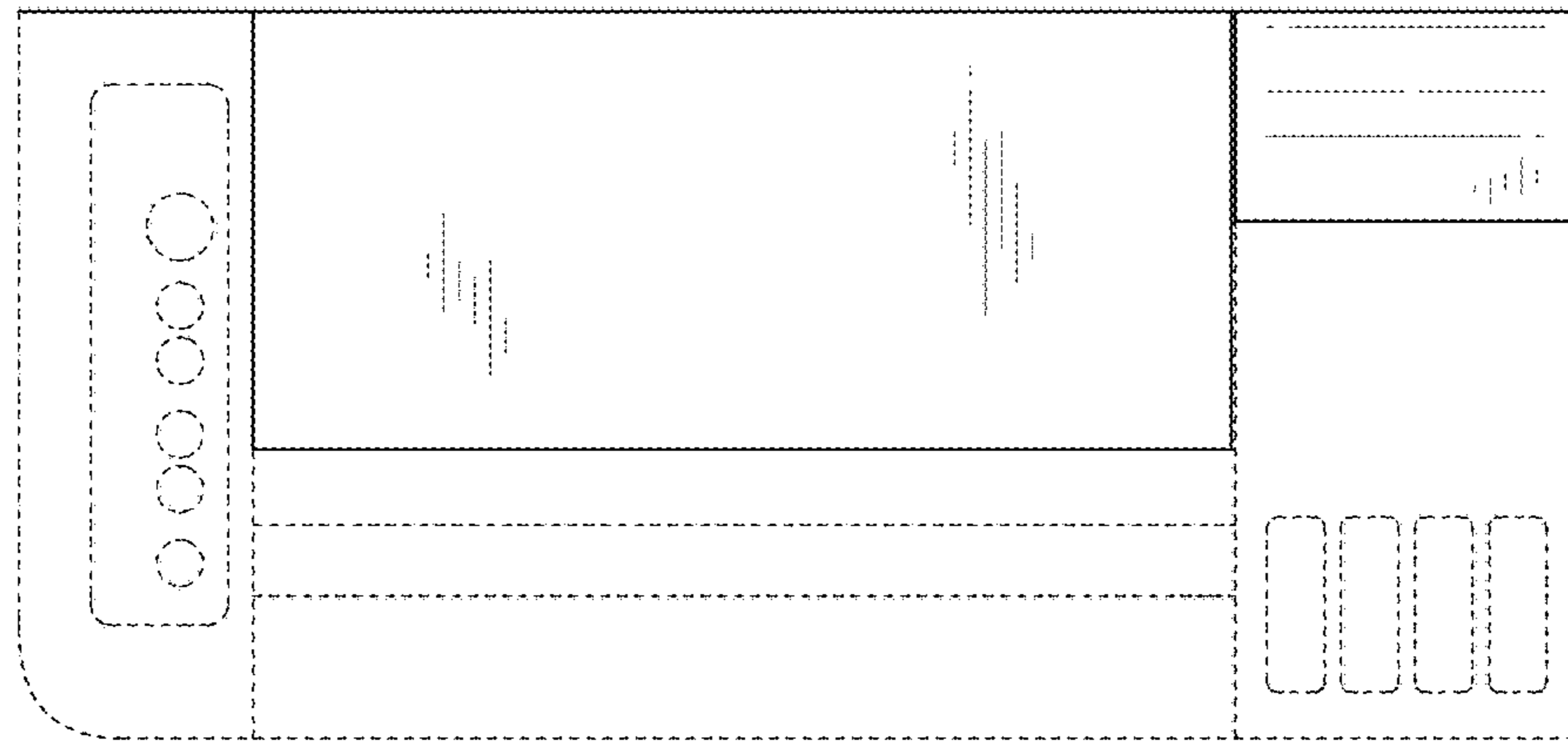


Fig.3

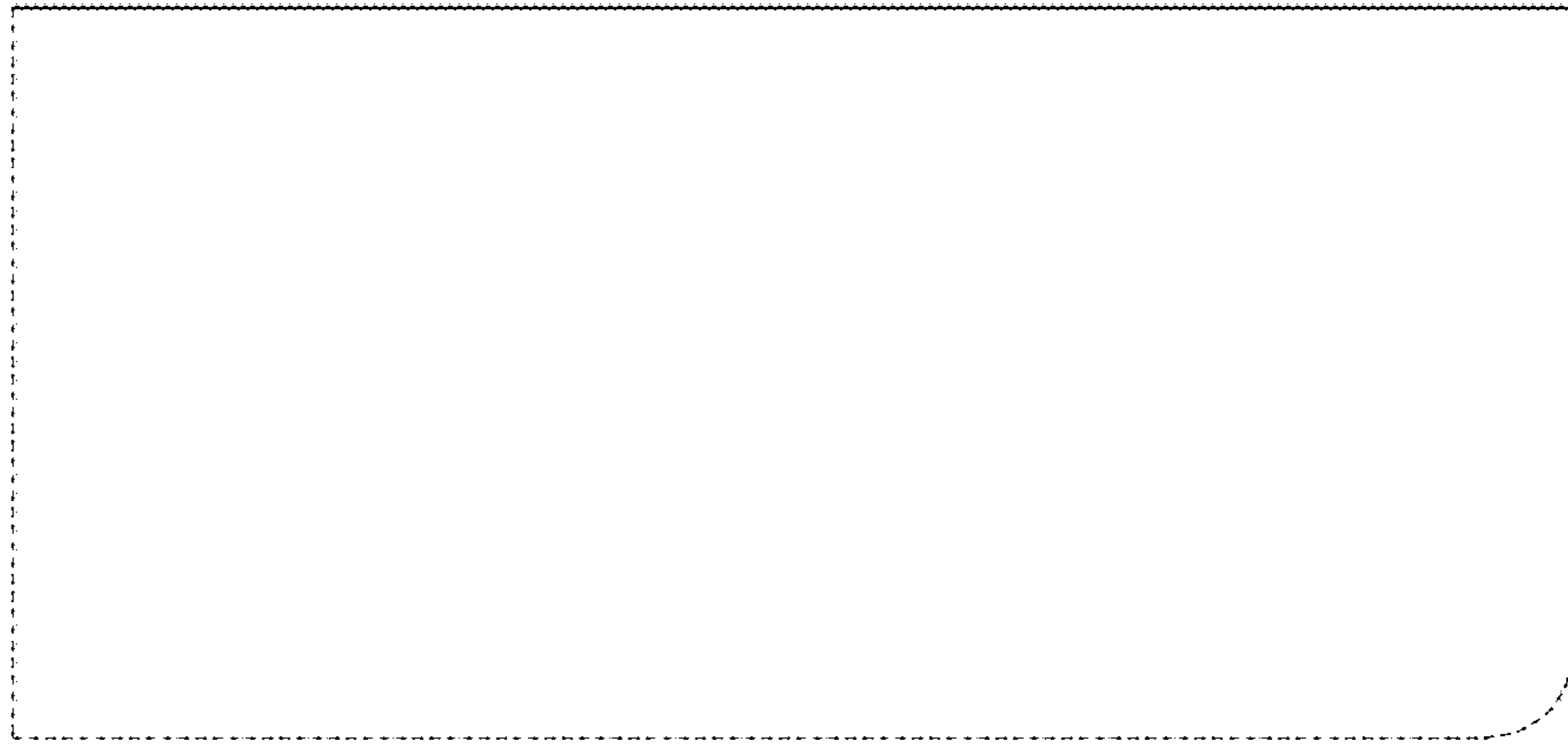


Fig.4



Fig.5

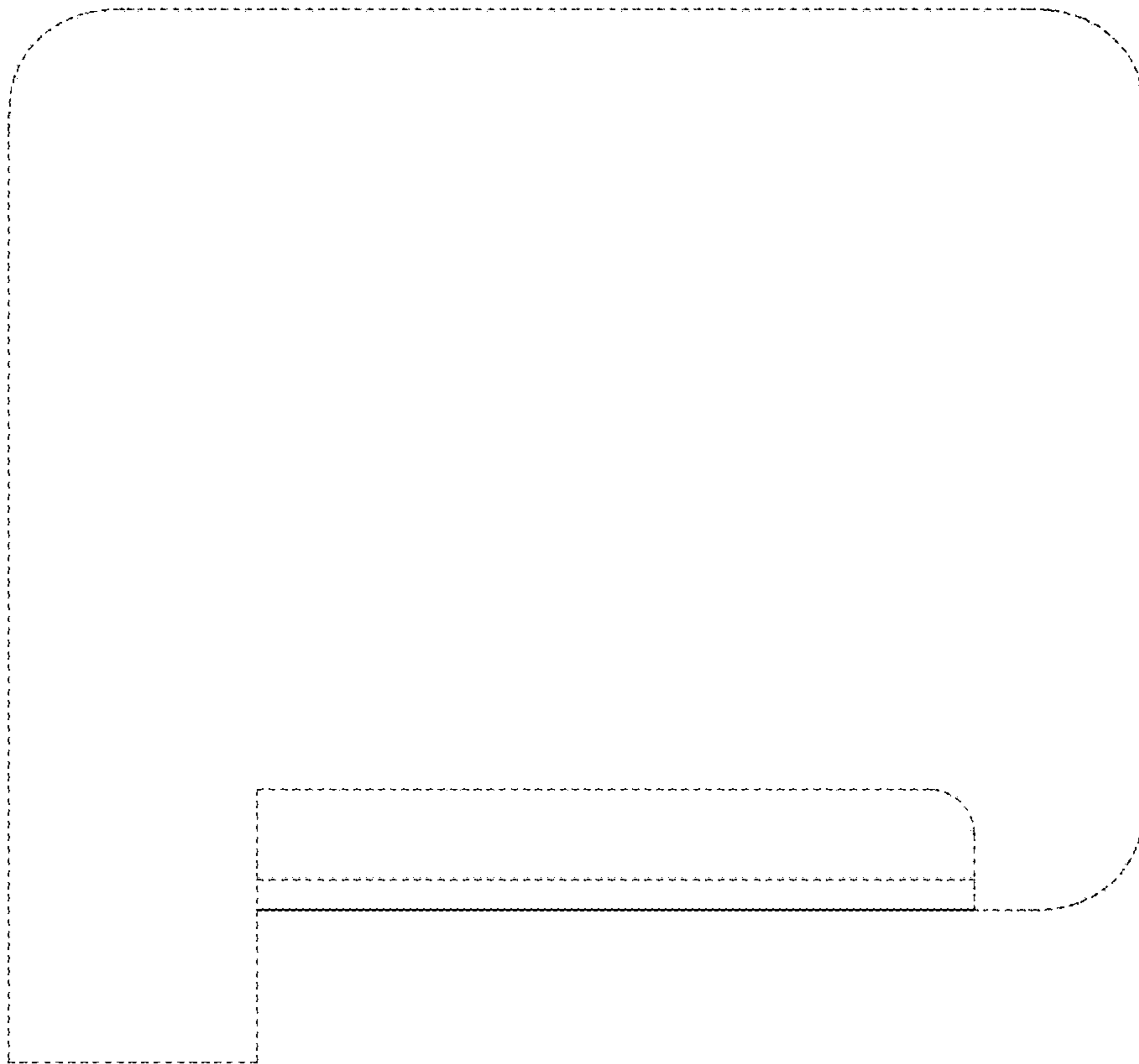


Fig.6

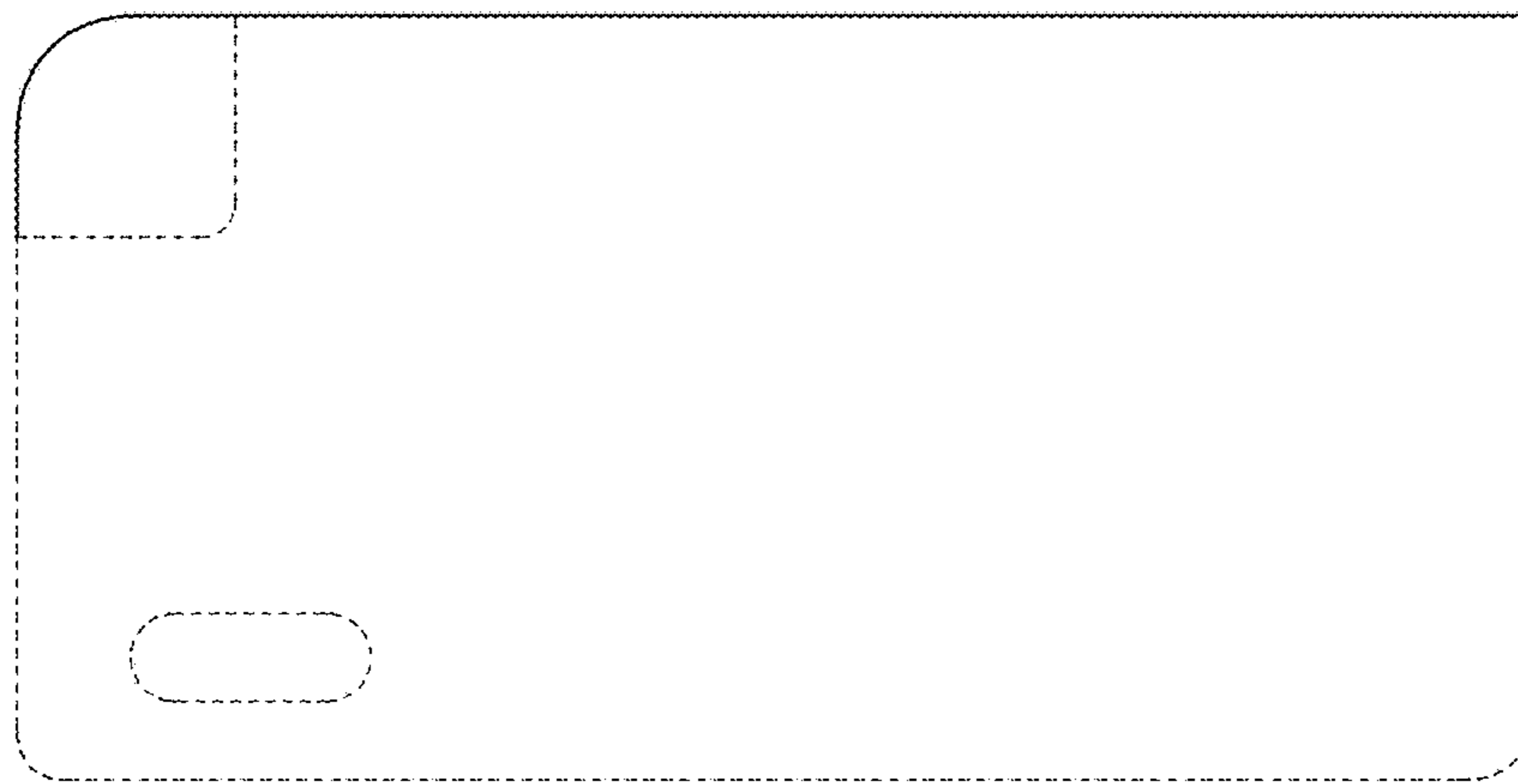


Fig.7

