



US00D864288S

(12) **United States Design Patent** (10) **Patent No.:** **US D864,288 S**
Oizumi et al. (45) **Date of Patent:** **** Oct. 22, 2019**

(54) **PORTION OF TONER SUPPLYING CARTRIDGE**

- (71) Applicant: **CANON KABUSHIKI KAISHA**,
Ohta-ku, Tokyo (JP)
- (72) Inventors: **Yusuke Oizumi**, Tokyo (JP); **Manabu Jimba**, Tokyo (JP)
- (73) Assignee: **Canon Kabushiki Kaisha**, Tokyo (JP)
- (**) Term: **15 Years**
- (21) Appl. No.: **29/628,303**
- (22) Filed: **Dec. 4, 2017**

Related U.S. Application Data

- (62) Division of application No. 35/501,775, filed on Apr. 25, 2016 (U.S. filing date under 35 U.S.C. 384), and having an international filing date of Apr. 25, 2016, now Pat. No. Des. 816,153.

(30) **Foreign Application Priority Data**

- Oct. 29, 2015 (JP) 2015-024015
 Oct. 29, 2015 (JP) 2015-024016
- (51) **LOC (12) Cl.** **16-03**
- (52) **U.S. Cl.**
USPC **D18/43**
- (58) **Field of Classification Search**
USPC D18/40, 43, 56; D14/471; D9/443, 529, D9/552
CPC G03G 15/0868; G03G 15/0886; G03G 15/0872; G03G 2215/0668; B65D 2231/005; B65D 47/241; B65D 83/06
See application file for complete search history.

(56) **References Cited**

U.S. PATENT DOCUMENTS

| | | | |
|-------------------|---------|--------------|-------------------------|
| D286,274 S | 10/1986 | Davis et al. | |
| D615,584 S | 5/2010 | Jimba et al. | |
| D685,841 S | 7/2013 | Okino et al. | |
| D689,129 S | 9/2013 | Okino et al. | |
| D711,462 S | 8/2014 | Jimba et al. | |
| D793,472 S * | 8/2017 | Suzuki | D18/43 |
| D794,116 S * | 8/2017 | Suzuki | D18/43 |
| D794,117 S * | 8/2017 | Suzuki | D18/43 |
| D796,575 S * | 9/2017 | Murata | D18/43 |
| D819,123 S * | 5/2018 | Kitagawa | D18/43 |
| 2006/0251448 A1 * | 11/2006 | Kawamura | G03G 15/0872 399/262 |

* cited by examiner

Primary Examiner — Jennifer L Watkins

(74) *Attorney, Agent, or Firm* — Venable LLP

(57) **CLAIM**

The ornamental design for portion of toner supplying cartridge, as shown and described.

DESCRIPTION

FIG. 1 is a front view of a portion of toner supplying cartridge showing the new design;
 FIG. 2 is a rear view thereof;
 FIG. 3 is a top plan view thereof;
 FIG. 4 is a bottom plan view thereof;
 FIG. 5 is a left side view thereof;
 FIG. 6 is a right side view thereof;
 FIG. 7 is a top perspective view thereof; and,
 FIG. 8 is a bottom perspective view thereof.
 The broken lines depict environmental subject matter only and form no part of the claimed design.

1 Claim, 8 Drawing Sheets

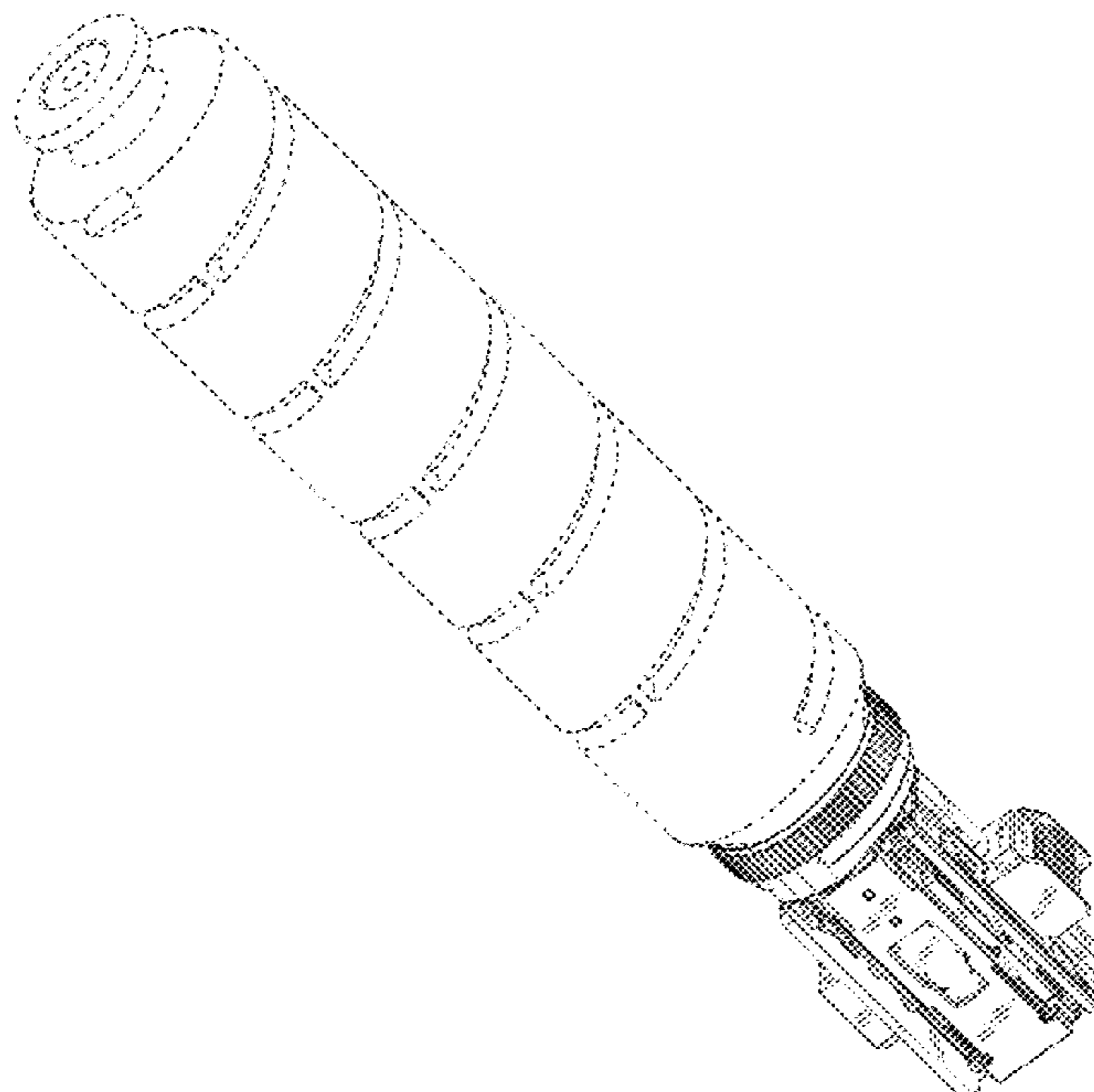


Fig. 1

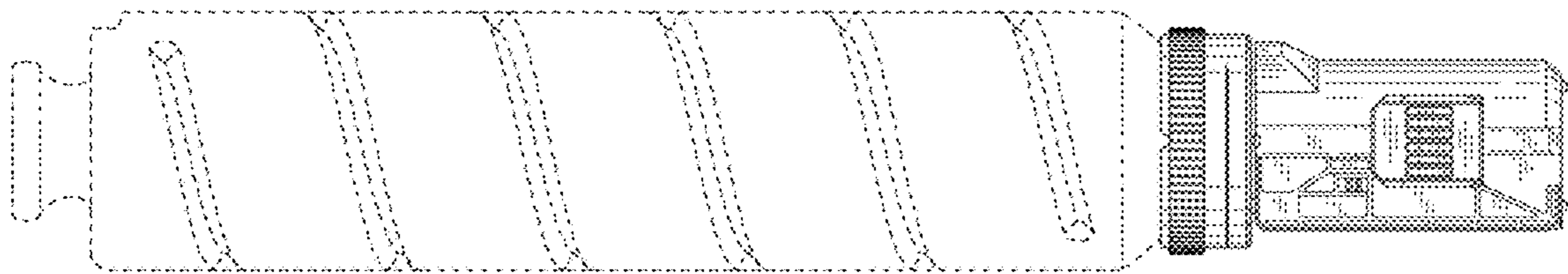


Fig. 2

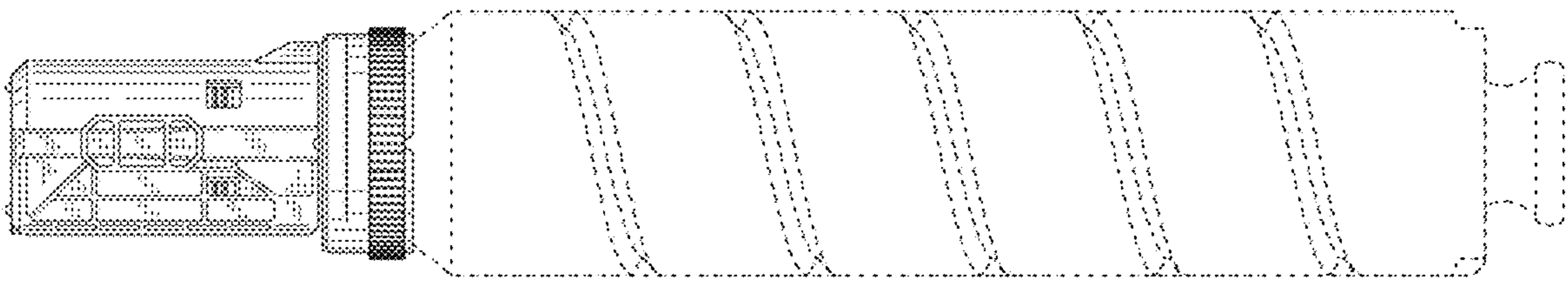


Fig. 3

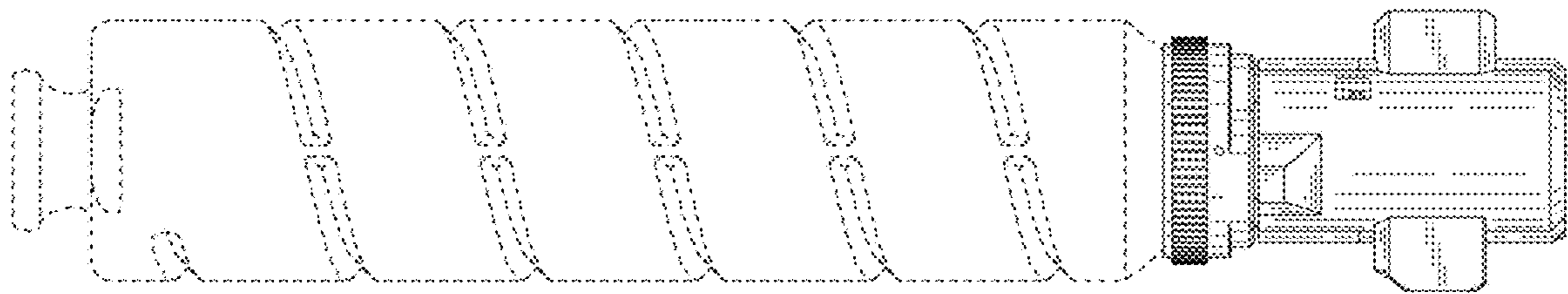


Fig. 4

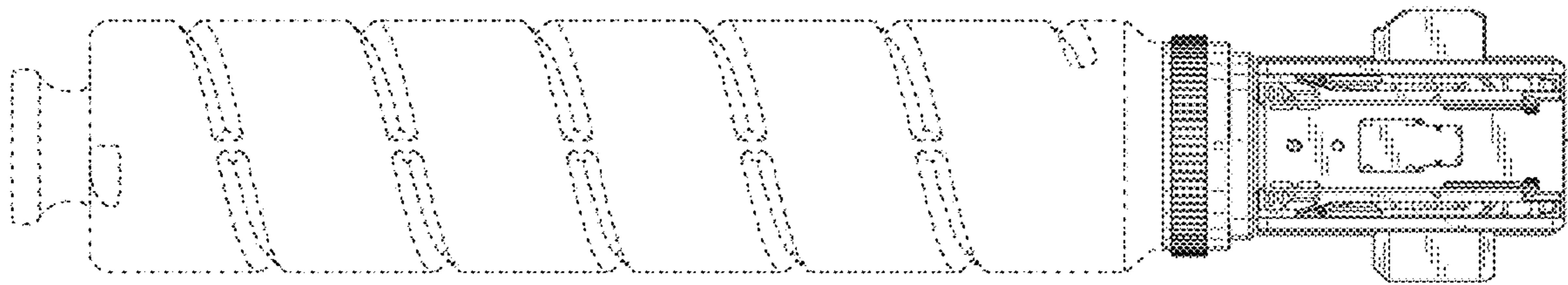


Fig. 5

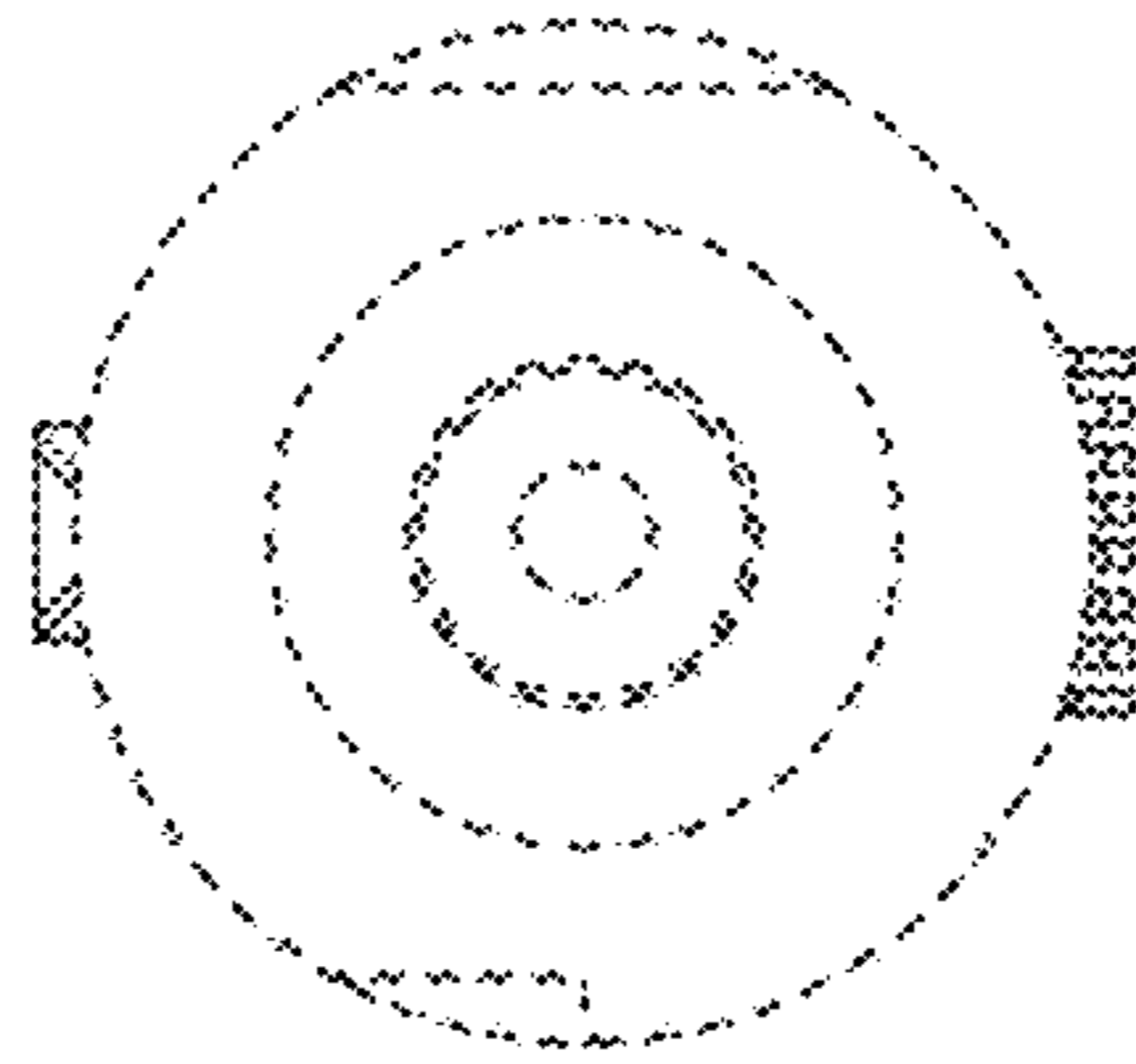


Fig. 6

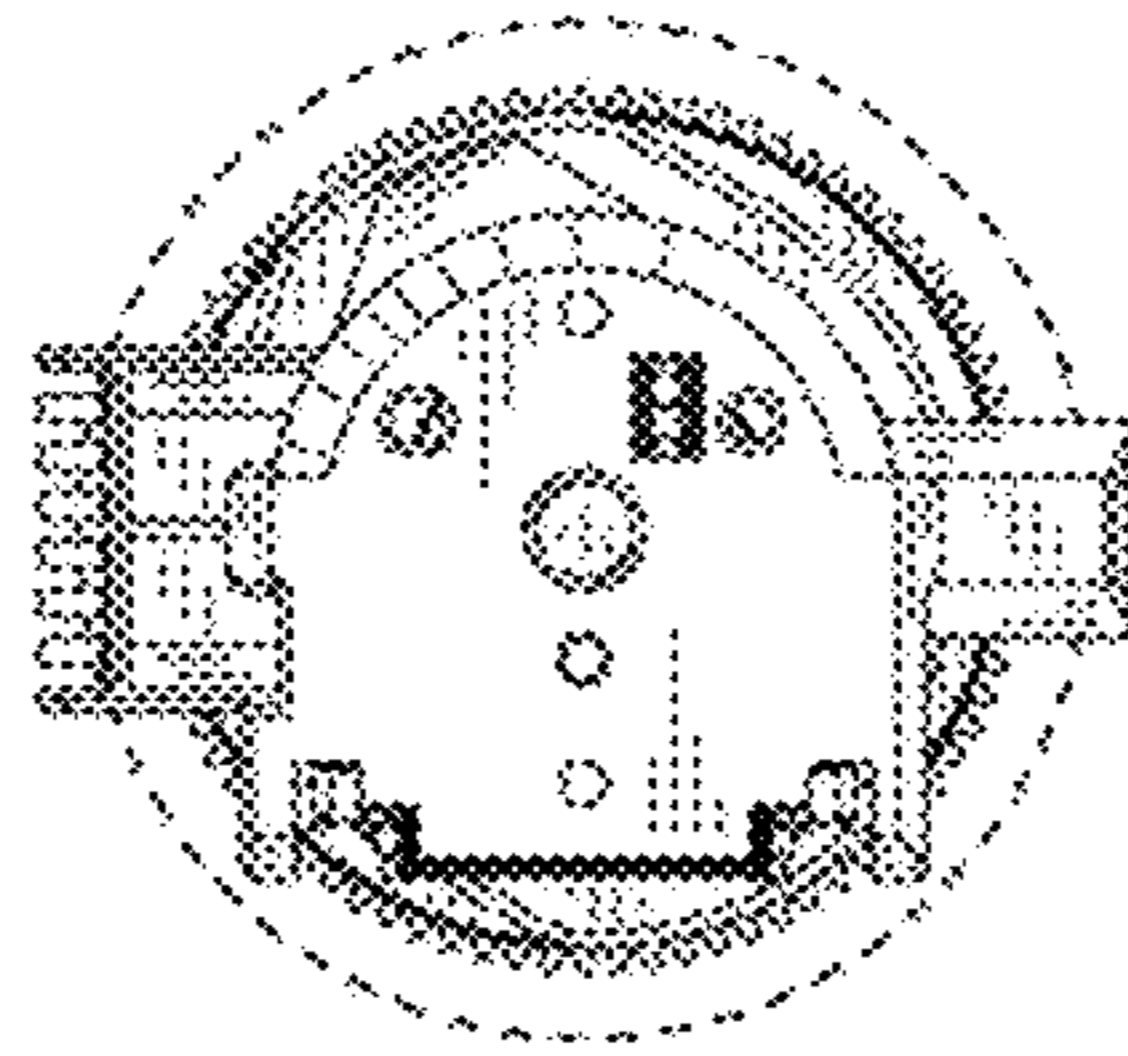


Fig. 7

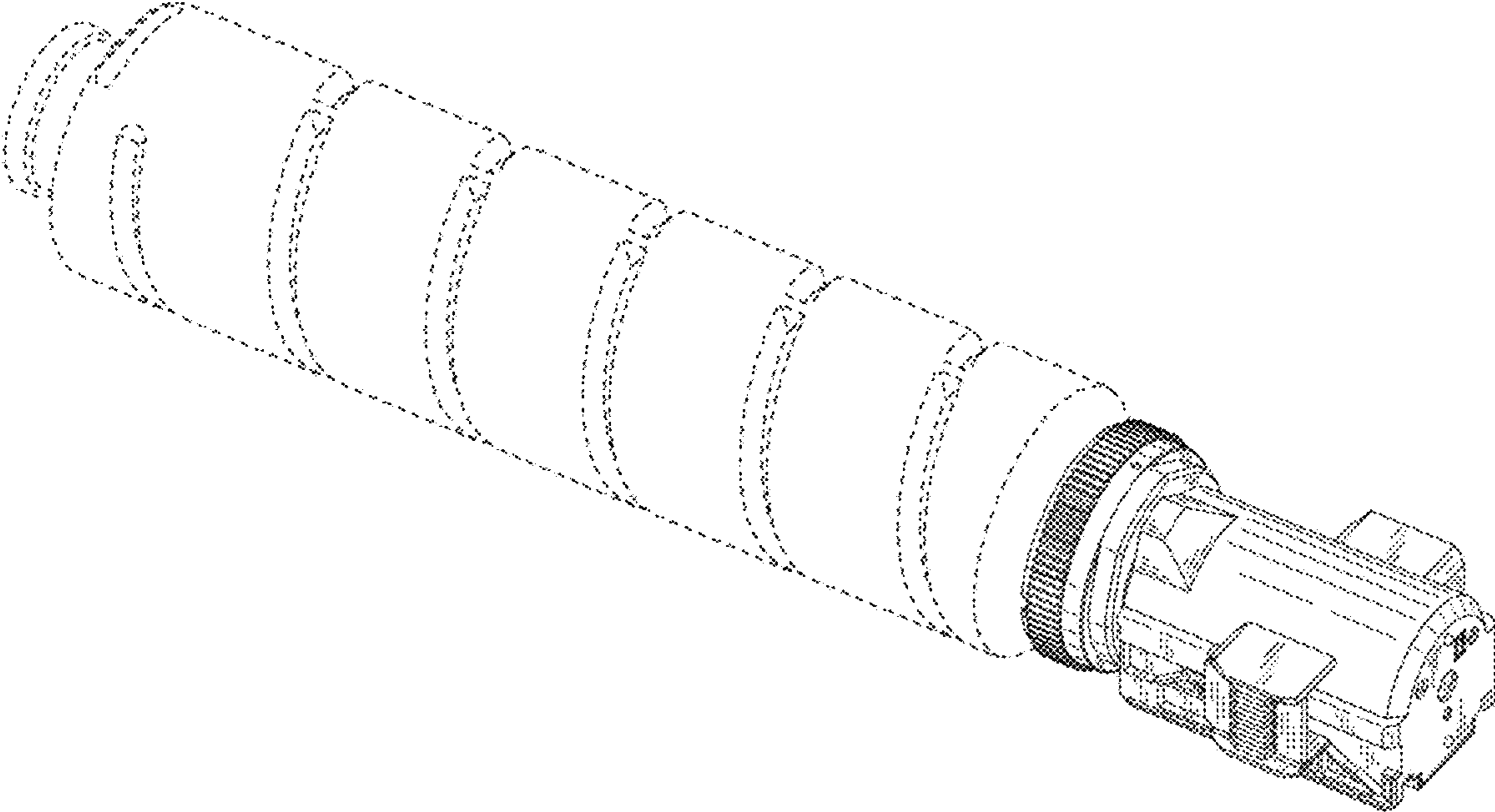


Fig. 8

