



US00D864286S

(12) **United States Design Patent**  
**Umezawa et al.**

(10) **Patent No.:** **US D864,286 S**

(45) **Date of Patent:** **\*\* Oct. 22, 2019**

(54) **CUTTING PLOTTER**

(71) Applicant: **Graphtec Corporation**, Kanagawa (JP)

(72) Inventors: **Takahisa Umezawa**, Kanagawa (JP);  
**Nobuyuki Kobayashi**, Kanagawa (JP)

(73) Assignee: **Graphtec Corporation**, Kanagawa (JP)

(\*\*) Term: **15 Years**

(21) Appl. No.: **29/596,105**

(22) Filed: **Mar. 6, 2017**

(30) **Foreign Application Priority Data**

Sep. 9, 2016 (JP) ..... 2016-019532

(51) **LOC (12) Cl.** ..... **18-04**

(52) **U.S. Cl.**  
USPC ..... **D18/34.3**

(58) **Field of Classification Search**  
USPC ..... D18/34.1, 34.2, 34.3, 34.4, 34.5, 34.6,  
D18/34.7, 34.8, 34.9; D15/127  
See application file for complete search history.

(56) **References Cited**

**U.S. PATENT DOCUMENTS**

- 3,477,322 A \* 11/1969 Heinz ..... B26D 7/018  
700/134
- 3,715,945 A \* 2/1973 Mochizuki ..... B26D 1/04  
83/374
- D276,528 S \* 11/1984 Shaffer ..... D15/127
- D322,974 S \* 1/1992 Mori ..... D18/34.8
- D348,271 S \* 6/1994 Mori ..... D15/129
- D353,150 S \* 12/1994 Mori ..... D18/34.8
- 5,819,618 A \* 10/1998 Rodriguez ..... B26D 1/185  
83/56
- D415,519 S \* 10/1999 Mori ..... D18/34.8

- 7,249,547 B2 \* 7/2007 Mori ..... B26D 7/025  
83/455
- D701,560 S \* 3/2014 Huotari ..... D18/34.1
- D795,338 S \* 8/2017 Umezawa ..... D18/34.3

(Continued)

**FOREIGN PATENT DOCUMENTS**

- CN 304046040 \* 2/2017
- EM 003786045-0001 \* 5/2017
- JP D1571646 \* 3/2017

**OTHER PUBLICATIONS**

AOKE. <URL:http://www.gdaoke.com/en/P\_view.asp?pid=340.> Visited Mar. 22, 2018. DCX2000 series cutting machine.\*

(Continued)

*Primary Examiner* — Susan Bennett Hattan

*Assistant Examiner* — Lauren D McVey

(74) *Attorney, Agent, or Firm* — Meyertons, Hood, Kivlin, Kowert & Goetzel, P.C.; Mark R. DeLuca

(57) **CLAIM**

The ornamental design for a cutting plotter, as shown and described.

**DESCRIPTION**

FIG. 1 is a front elevation view of a cutting plotter, showing our new design;

FIG. 2 is a rear elevation view thereof;

FIG. 3 is a top plan view thereof;

FIG. 4 is a bottom plan view thereof;

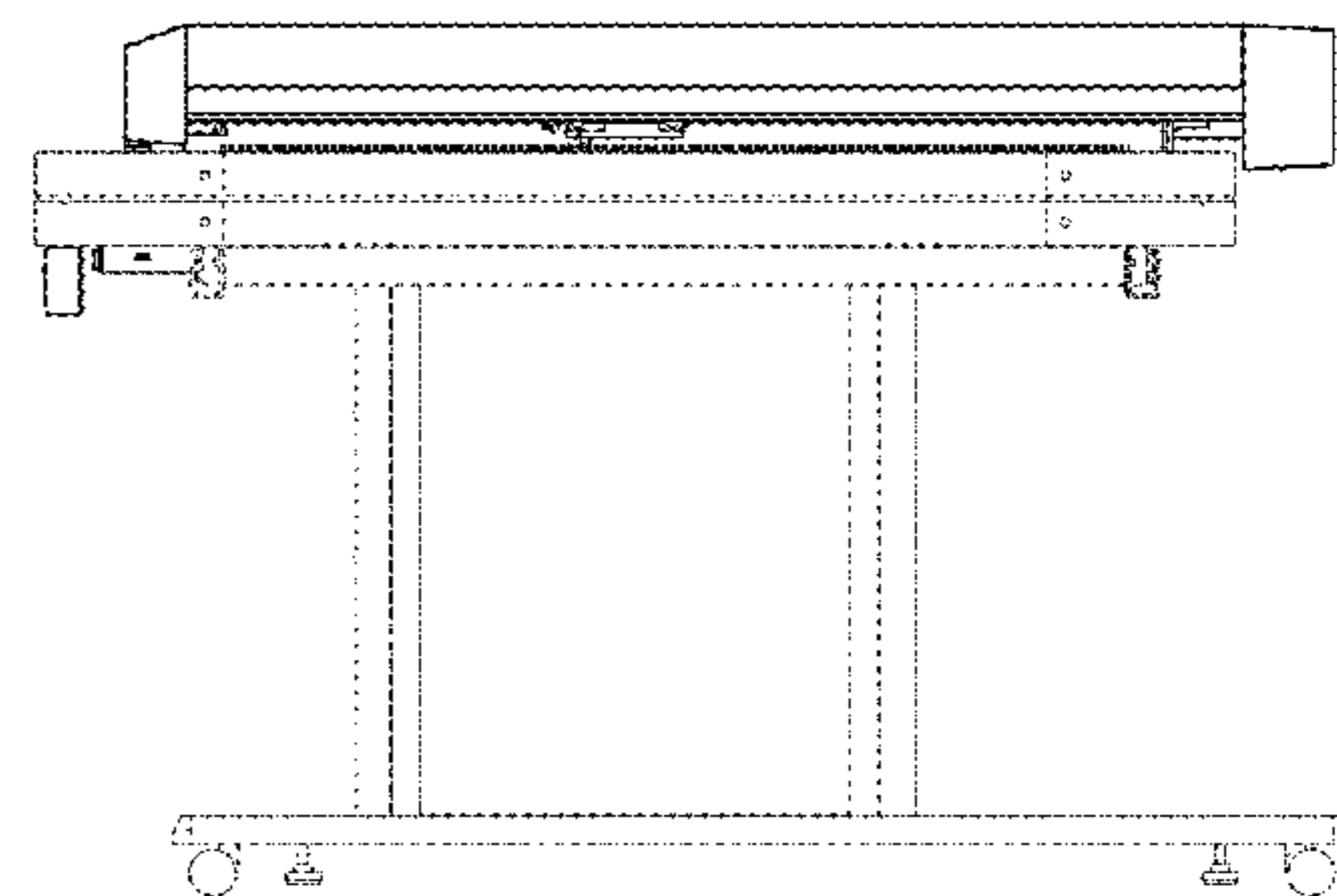
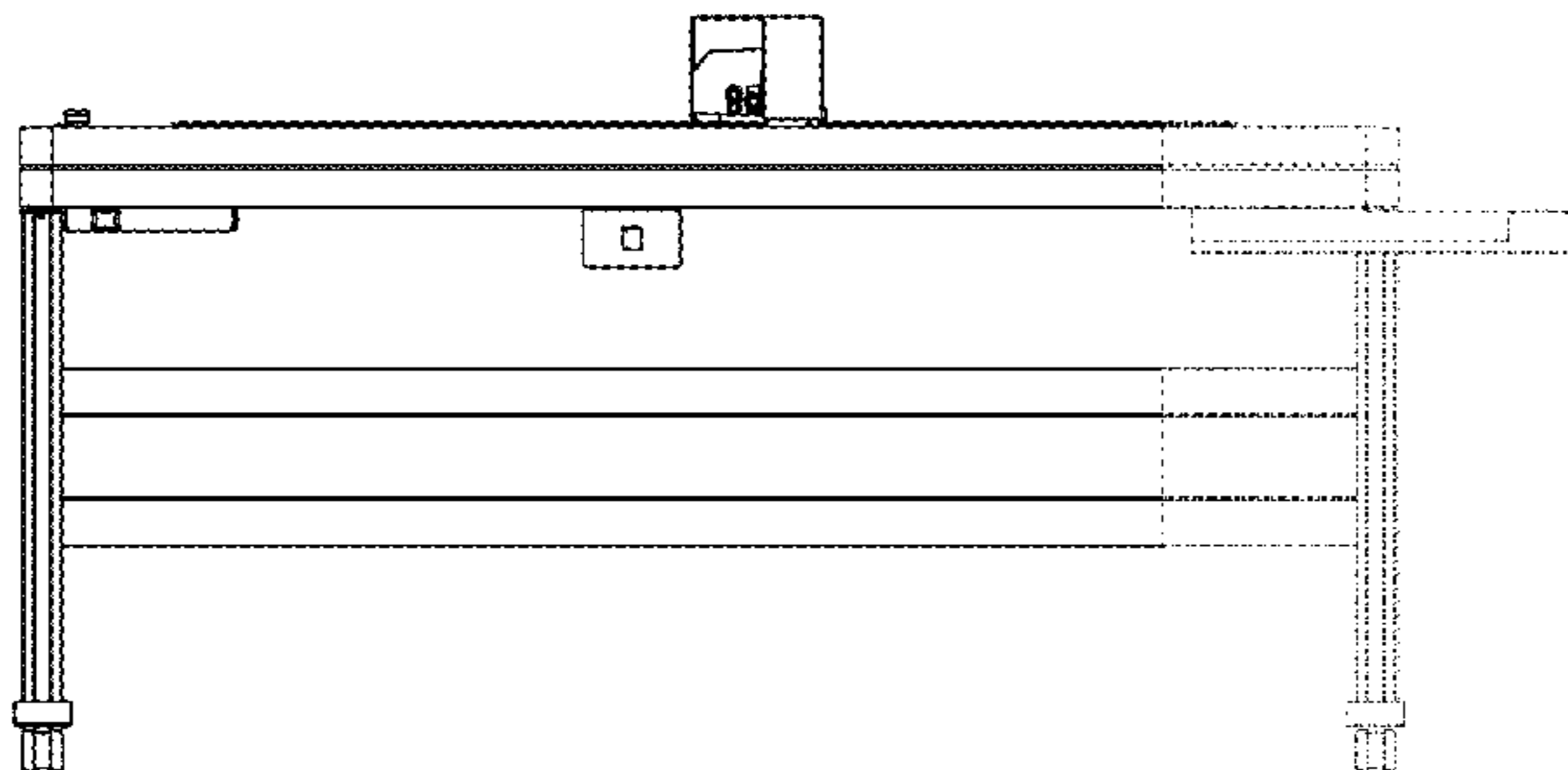
FIG. 5 is a right side elevation view thereof;

FIG. 6 is a left side elevation view thereof; and,

FIG. 7 is a perspective view thereof.

The dot-dash broken lines, and evenly spaced broken lines immediately adjacent to the claim in FIG. 4, depict the bounds of the claimed design, while all other evenly spaced broken lines are directed to environment. The broken lines form no part of the claimed design.

**1 Claim, 6 Drawing Sheets**



(56)

**References Cited**

U.S. PATENT DOCUMENTS

2009/0084239 A1\* 4/2009 Yu Chen ..... B26D 1/065  
83/471.2  
2012/0103154 A1\* 5/2012 Okabe ..... B23C 1/007  
83/72

OTHER PUBLICATIONS

ECVV. <URL: <https://www.ecvv.com/product/3817877.html>.> Visited Mar. 22, 2018. Flatbed digital cutter plotter.\*

\* cited by examiner

FIG.1

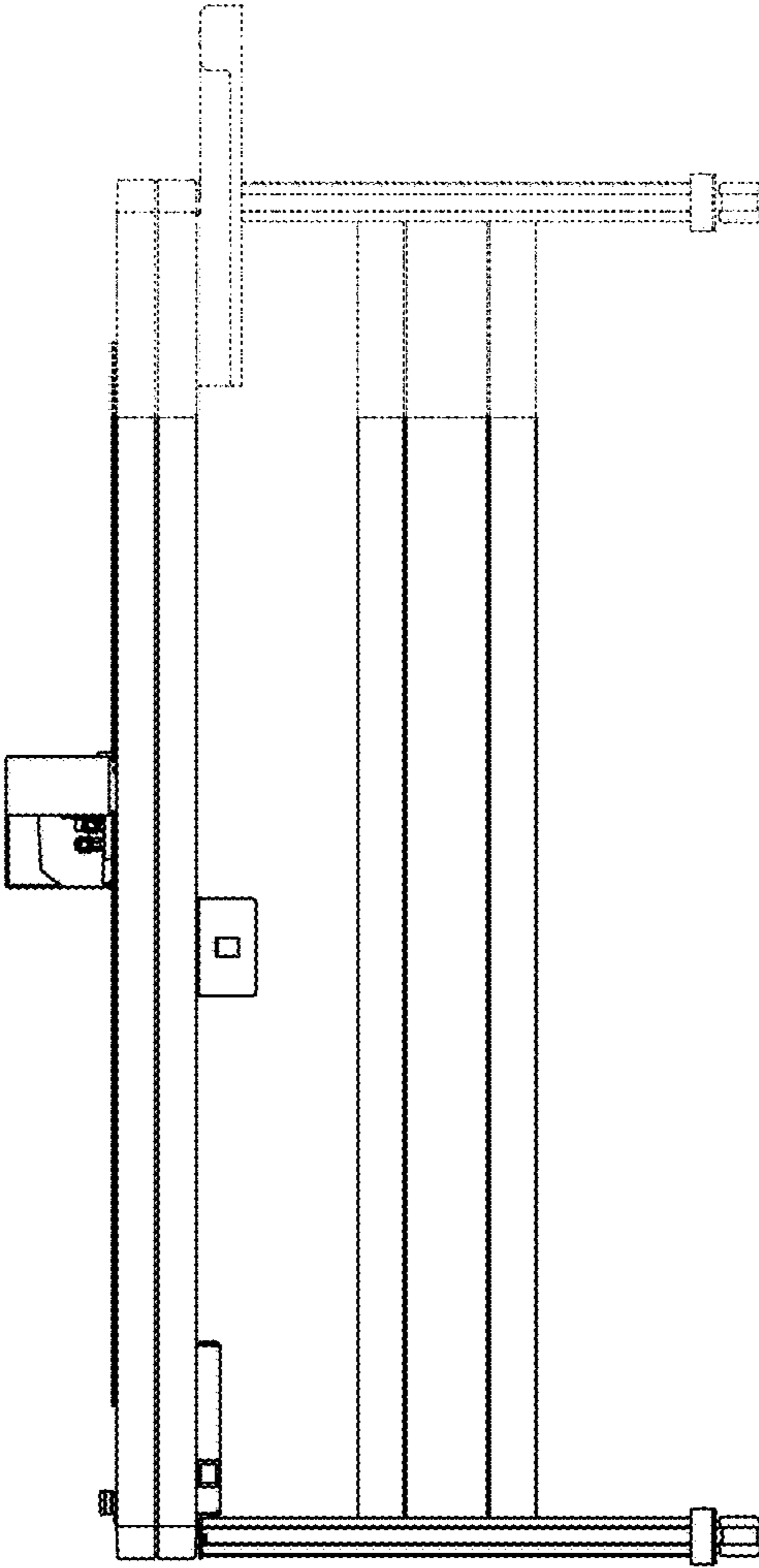


FIG.2

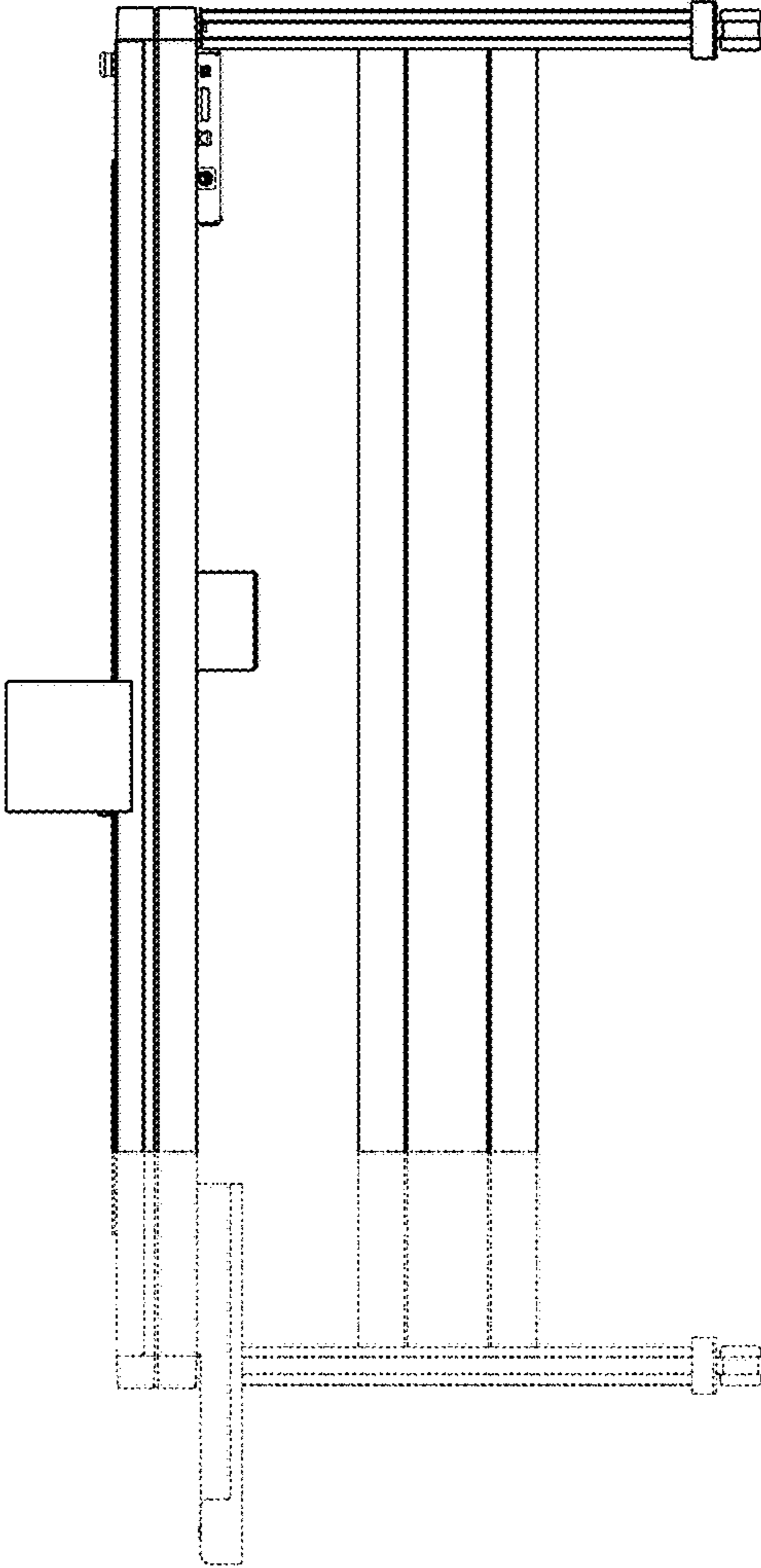


FIG.3

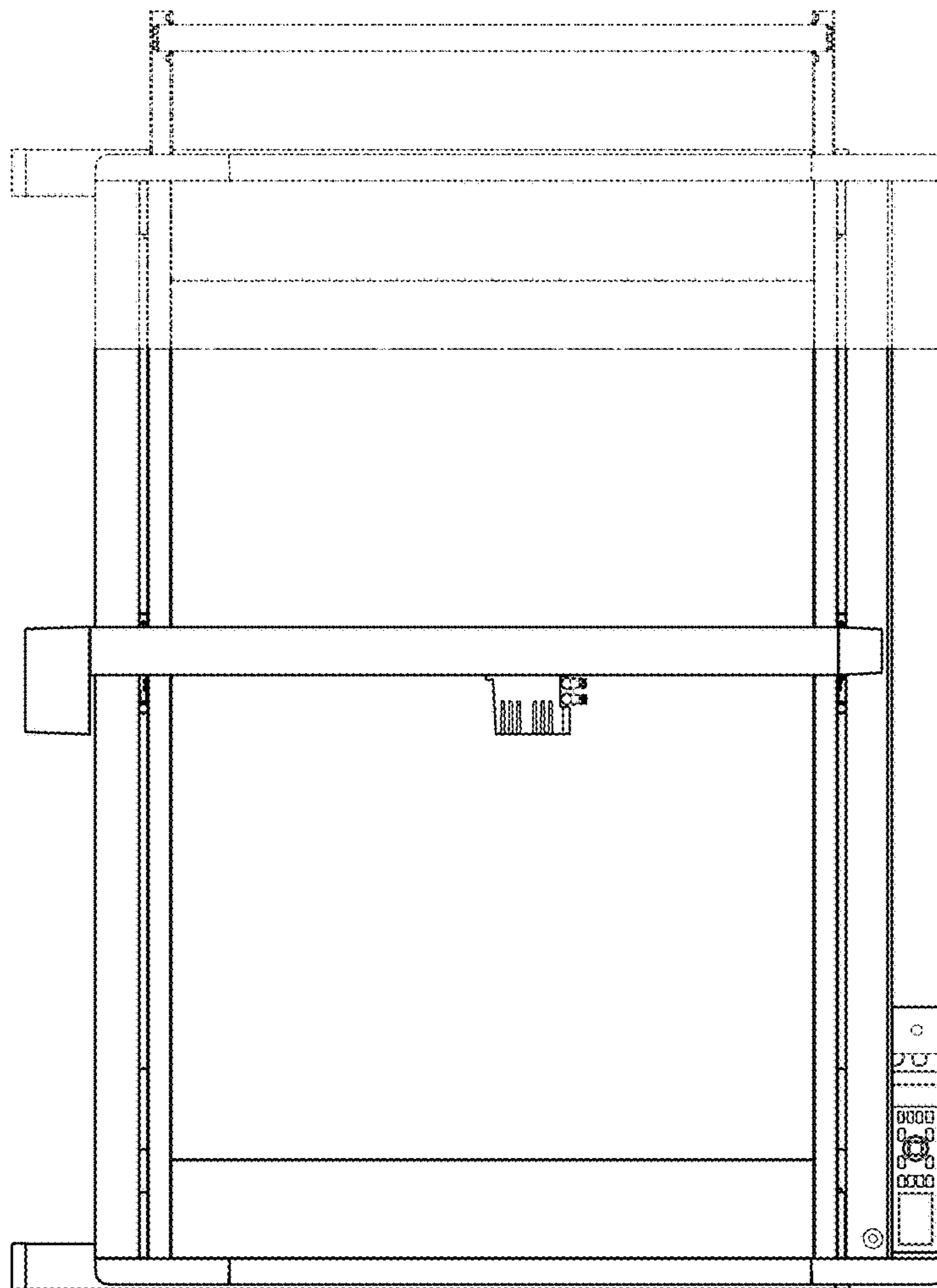


FIG.4

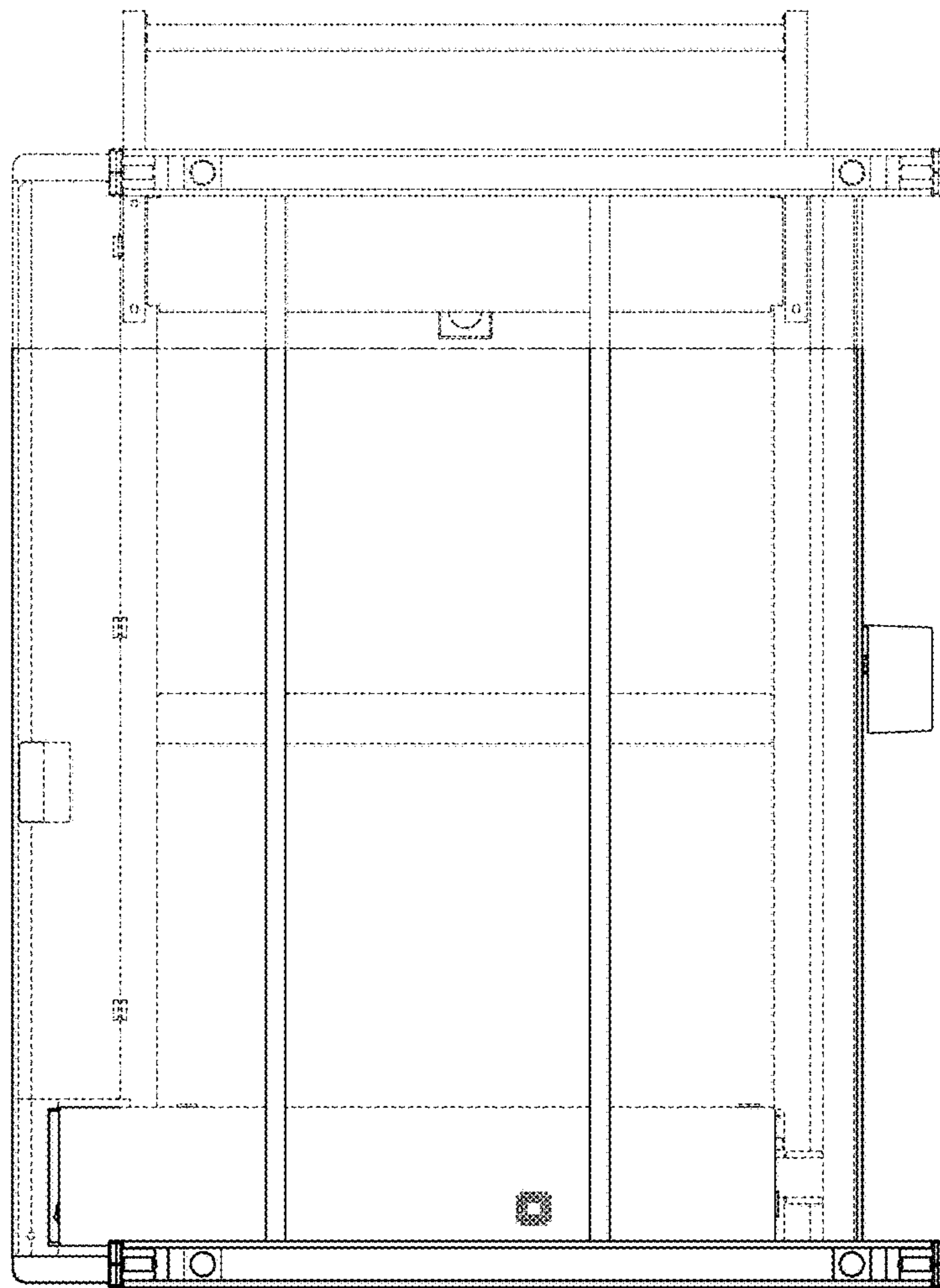


FIG.5

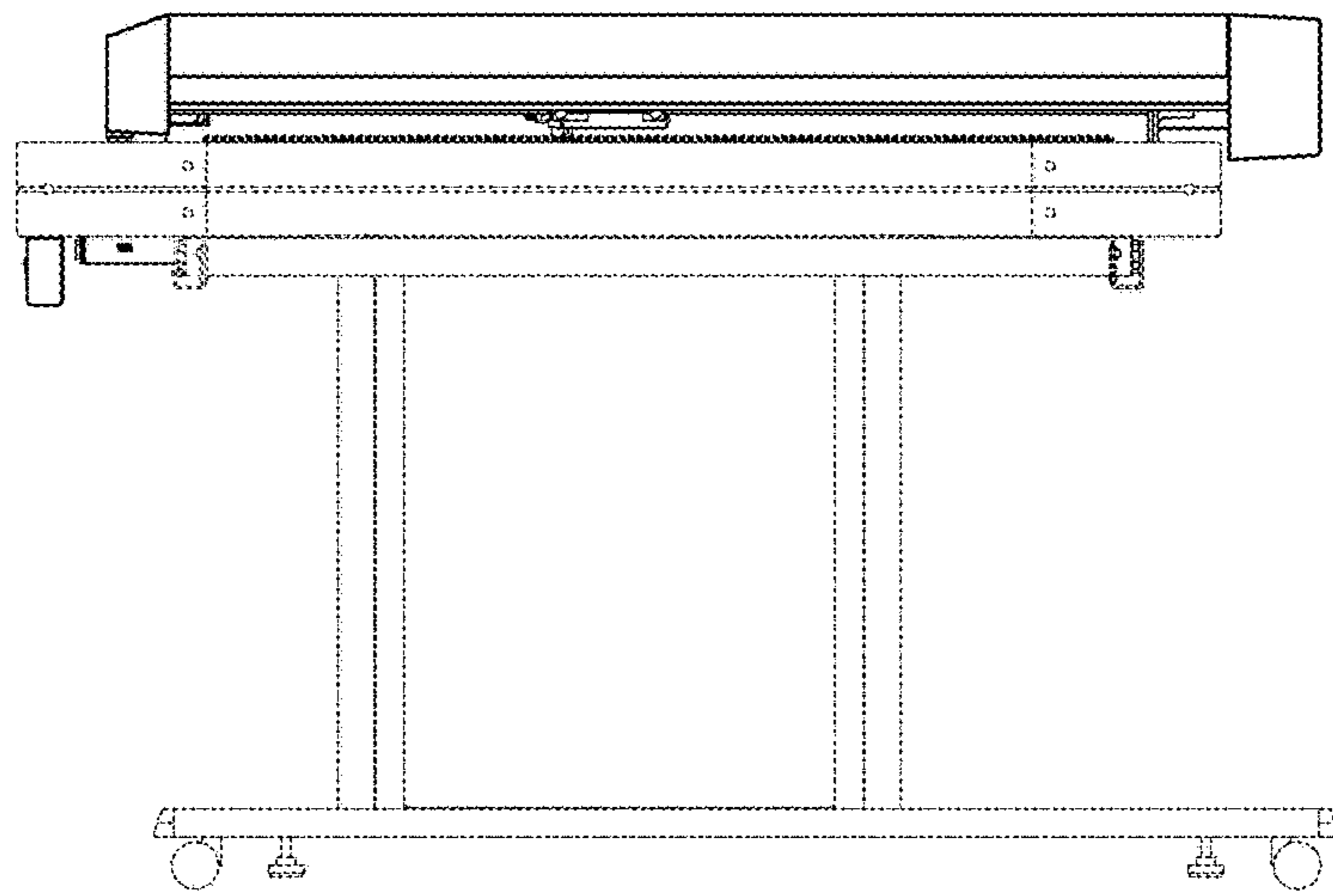
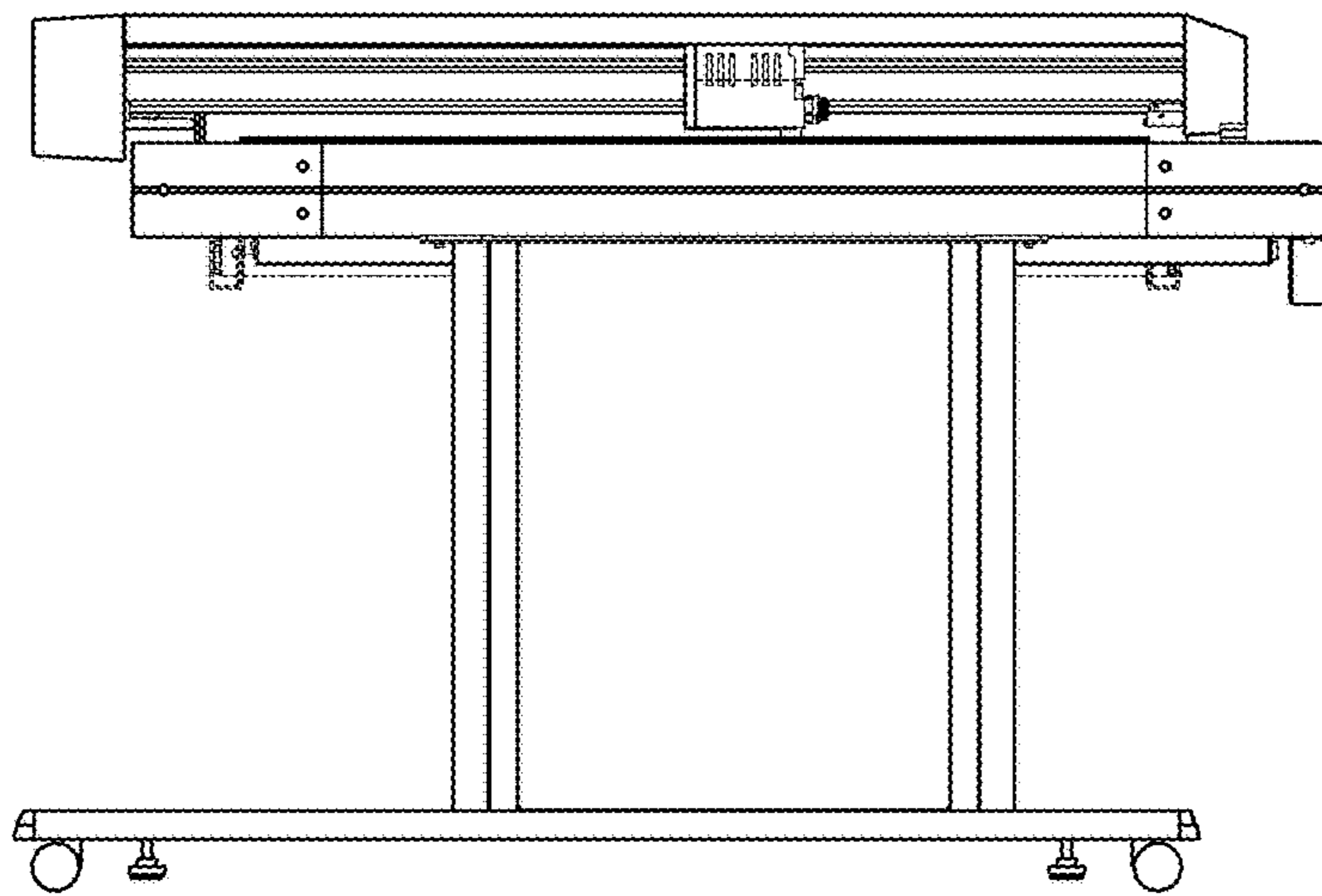


FIG.6



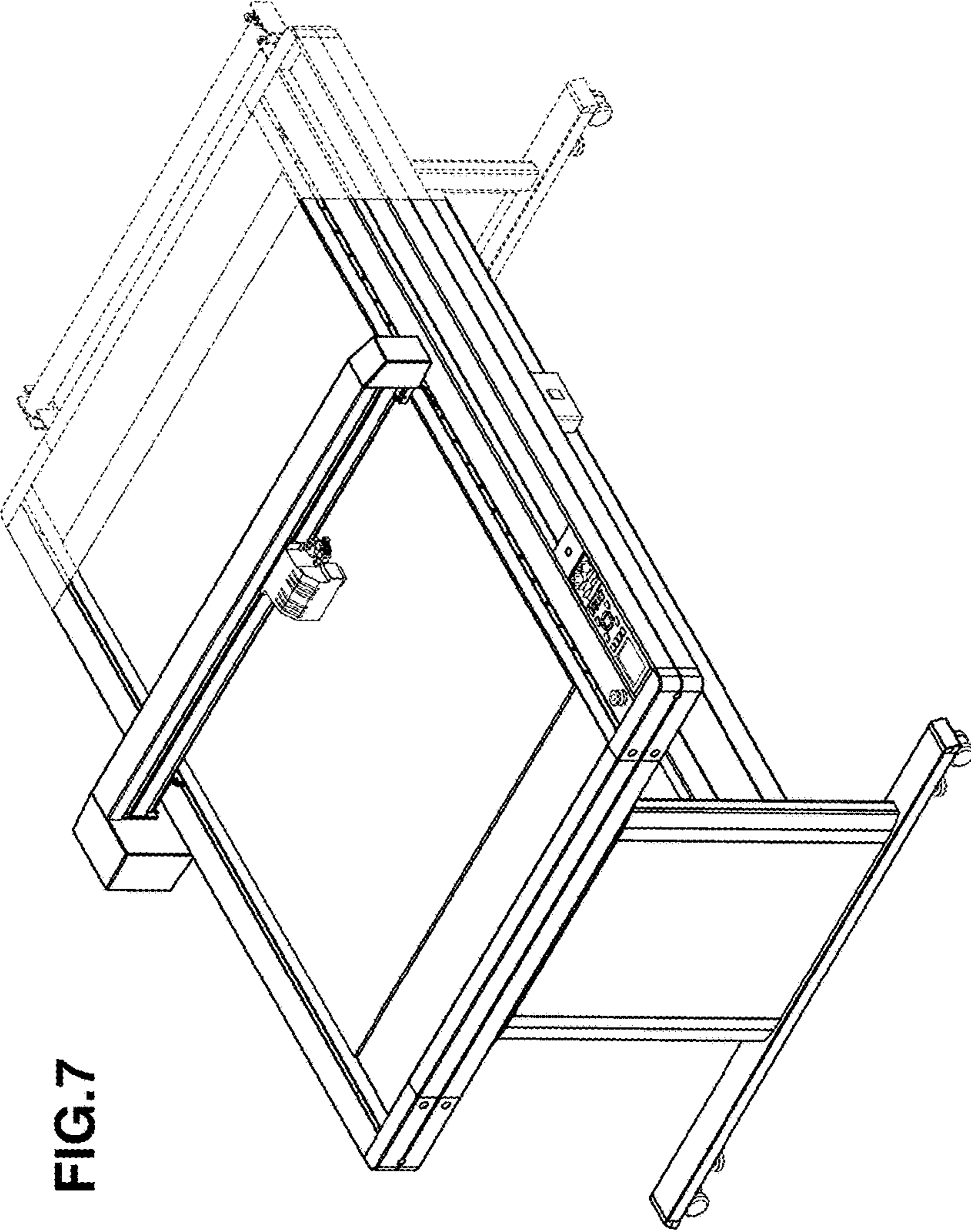


FIG. 7