



US00D864284S

(12) **United States Design Patent** (10) **Patent No.:** **US D864,284 S**  
**Yang et al.** (45) **Date of Patent:** **\*\* Oct. 22, 2019**

(54) **DIGITAL WELDING GOGGLE**

FOREIGN PATENT DOCUMENTS

(71) Applicant: **Ningbo Geostar Photoelectric Technology Co., Ltd.**, Ningbo, Zhejiang (CN)

CN 304829993 \* 4/2018

(72) Inventors: **Zhaolin Yang**, Zhejiang (CN); **Jianrong Zhou**, Zhejiang (CN); **Rongjiang Wang**, Zhejiang (CN)

OTHER PUBLICATIONS

(73) Assignee: **Ningbo Geostar Photoelectric Technology Co., Ltd.**, Ningbo (CN)

Miller Electric Welding Goggles, earliest review 2017 [site visited Jun. 5, 2019] Available from the internet : [https://www.amazon.com/Miller-Electric-267370-Welding-Goggles/product-reviews/B00U9PPYH0/ref=cm\\_cr\\_getr\\_d\\_paging\\_btm\\_next\\_2?ie=UTF8&reviewerType=all\\_reviews&sortBy=recent&pageNumber=2](https://www.amazon.com/Miller-Electric-267370-Welding-Goggles/product-reviews/B00U9PPYH0/ref=cm_cr_getr_d_paging_btm_next_2?ie=UTF8&reviewerType=all_reviews&sortBy=recent&pageNumber=2) (Year: 2017).\*

(\*\*) Term: **15 Years**

(21) Appl. No.: **29/650,988**

*Primary Examiner* — Michelle E. Wilson  
*Assistant Examiner* — Sanjeev Paul

(22) Filed: **Jun. 12, 2018**

(30) **Foreign Application Priority Data**

Apr. 13, 2018 (CN) ..... 2018 3 0150930

(51) **LOC (12) Cl.** ..... **16-06**

(52) **U.S. Cl.**  
USPC ..... **D16/311**

(58) **Field of Classification Search**

USPC ..... D16/101, 300–342, 900; D29/109–110; D21/483, 659–661; D14/372; 351/41, 351/44, 45–48, 51–52, 62, 158, 92, 351/103–123, 140–153, 63, 59; 2/13, 15, 2/426–432, 447–449, 441, 434–437  
CPC ..... G02C 2200/08; G02C 1/06; G02C 5/14; G02C 11/02; G02C 11/04; G02C 5/16; G02C 2200/22; G02C 5/146; G02C 5/2254; G02C 5/008; G01C 5/16; A61M 2021/0044; A63B 33/002

See application file for complete search history.

(56) **References Cited**

U.S. PATENT DOCUMENTS

2,422,287 A \* 6/1947 Bernheim ..... G02C 7/12  
2/432  
3,016,542 A \* 1/1962 Lindblom ..... A61F 9/061  
2/432  
D204,099 S \* 3/1966 Simpson et al. .... D16/312

(Continued)

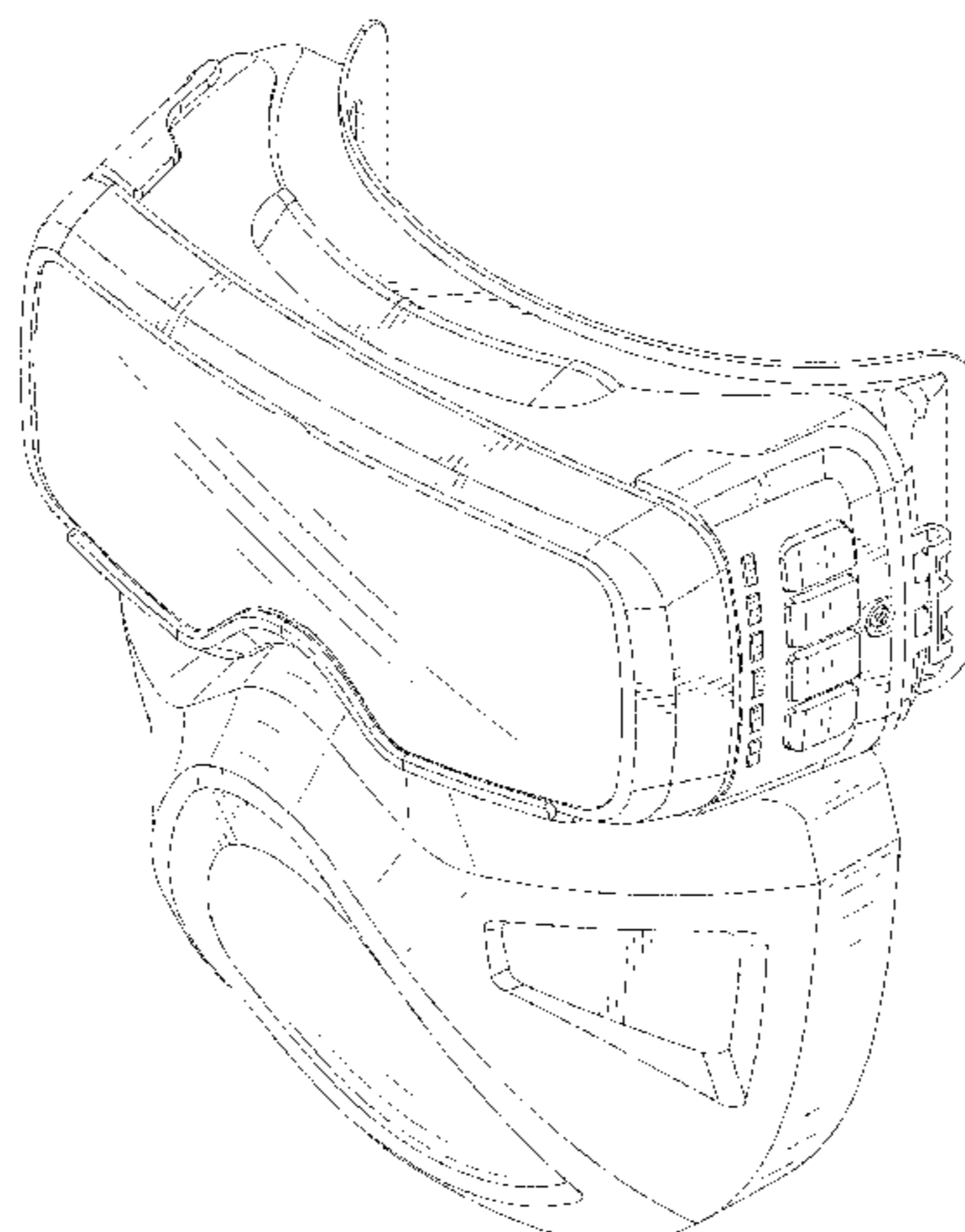
(57) **CLAIM**

The ornamental design for a digital welding goggle, as shown and described.

**DESCRIPTION**

FIG. 1 is a front elevational view of a digital welding goggle showing our new design;  
FIG. 2 is a rear elevational view thereof;  
FIG. 3 is a left side view thereof;  
FIG. 4 is a right side view thereof;  
FIG. 5 is a top plan view thereof;  
FIG. 6 is a bottom plan view thereof;  
FIG. 7 is a top, front and right side perspective view thereof;  
FIG. 8 is a top, rear and right side perspective view thereof;  
FIG. 9 is a bottom, front and right side perspective view thereof; and,  
FIG. 10 is a bottom, front and left side perspective view thereof.  
The oblique shade lines in the drawings represent reflective surfaces.

**1 Claim, 10 Drawing Sheets**



(56)

References Cited

U.S. PATENT DOCUMENTS

3,444,561 A \* 5/1969 Boyer ..... A61F 9/06  
 2/441  
 4,250,577 A \* 2/1981 Smith ..... A61F 9/029  
 2/427  
 D350,496 S \* 9/1994 Shelton ..... D16/303  
 D367,664 S \* 3/1996 Simioni ..... D16/309  
 D370,230 S \* 5/1996 Simioni ..... D16/309  
 D385,574 S \* 10/1997 Fireman ..... D16/311  
 D422,617 S \* 4/2000 Simioni ..... D16/311  
 D471,224 S \* 3/2003 Chiang ..... D16/303  
 D482,383 S \* 11/2003 Lee ..... D16/311  
 7,178,932 B1 \* 2/2007 Buckman ..... A61F 9/068  
 2/8.6  
 D594,895 S \* 6/2009 Ross ..... D16/309  
 D599,394 S \* 9/2009 Dondero ..... D16/312  
 D697,546 S \* 1/2014 Seo ..... D16/309  
 D723,094 S \* 2/2015 Chen ..... D16/312  
 D757,155 S \* 5/2016 Noordzij ..... D16/310

D784,441 S \* 4/2017 Garfias ..... D16/312  
 D800,825 S \* 10/2017 Frosi ..... D16/313  
 D806,318 S \* 12/2017 Yang ..... D29/107  
 D812,127 S \* 3/2018 Seo ..... D16/312  
 D827,701 S \* 9/2018 Nguyen ..... D16/309  
 D837,873 S \* 1/2019 Lussier ..... D16/330  
 D844,605 S \* 4/2019 Yeh ..... D14/372  
 D845,296 S \* 4/2019 Natsume ..... D14/372  
 D847,894 S \* 5/2019 Li ..... D16/313  
 2012/0224260 A1 \* 9/2012 Healy ..... G02B 27/0172  
 359/464  
 2014/0176897 A1 \* 6/2014 Luan ..... A63B 33/002  
 351/43  
 2015/0033430 A1 \* 2/2015 Hofer Kraner ..... A61F 9/06  
 2/8.2  
 2016/0103339 A1 \* 4/2016 White ..... G02C 11/10  
 351/123  
 2017/0035615 A1 \* 2/2017 Yang ..... A61F 9/06  
 2018/0136484 A1 \* 5/2018 Prugue ..... G02C 1/06  
 2018/0149895 A1 \* 5/2018 Hofer Kraner ..... A61F 9/065

\* cited by examiner

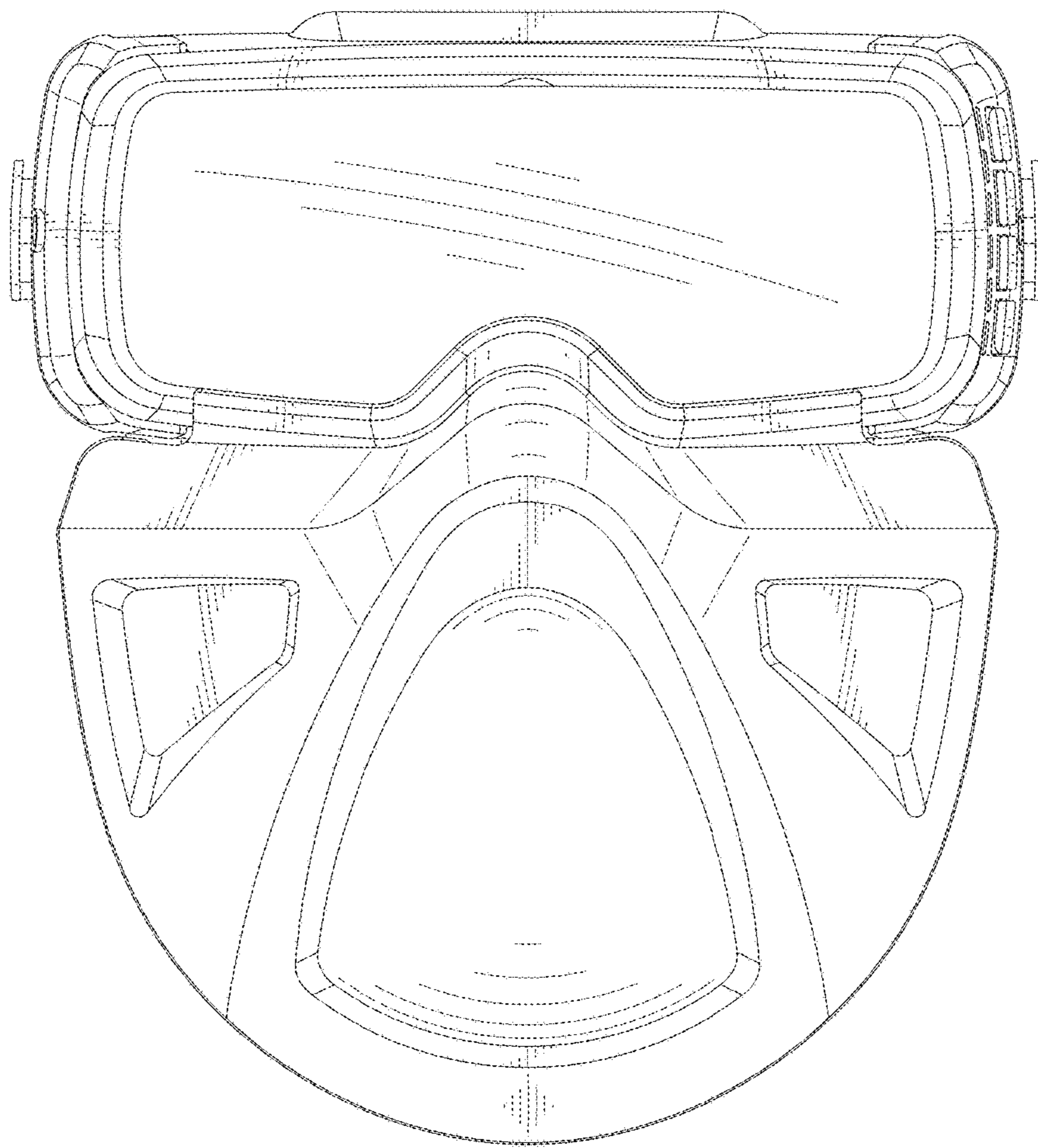


FIG.1

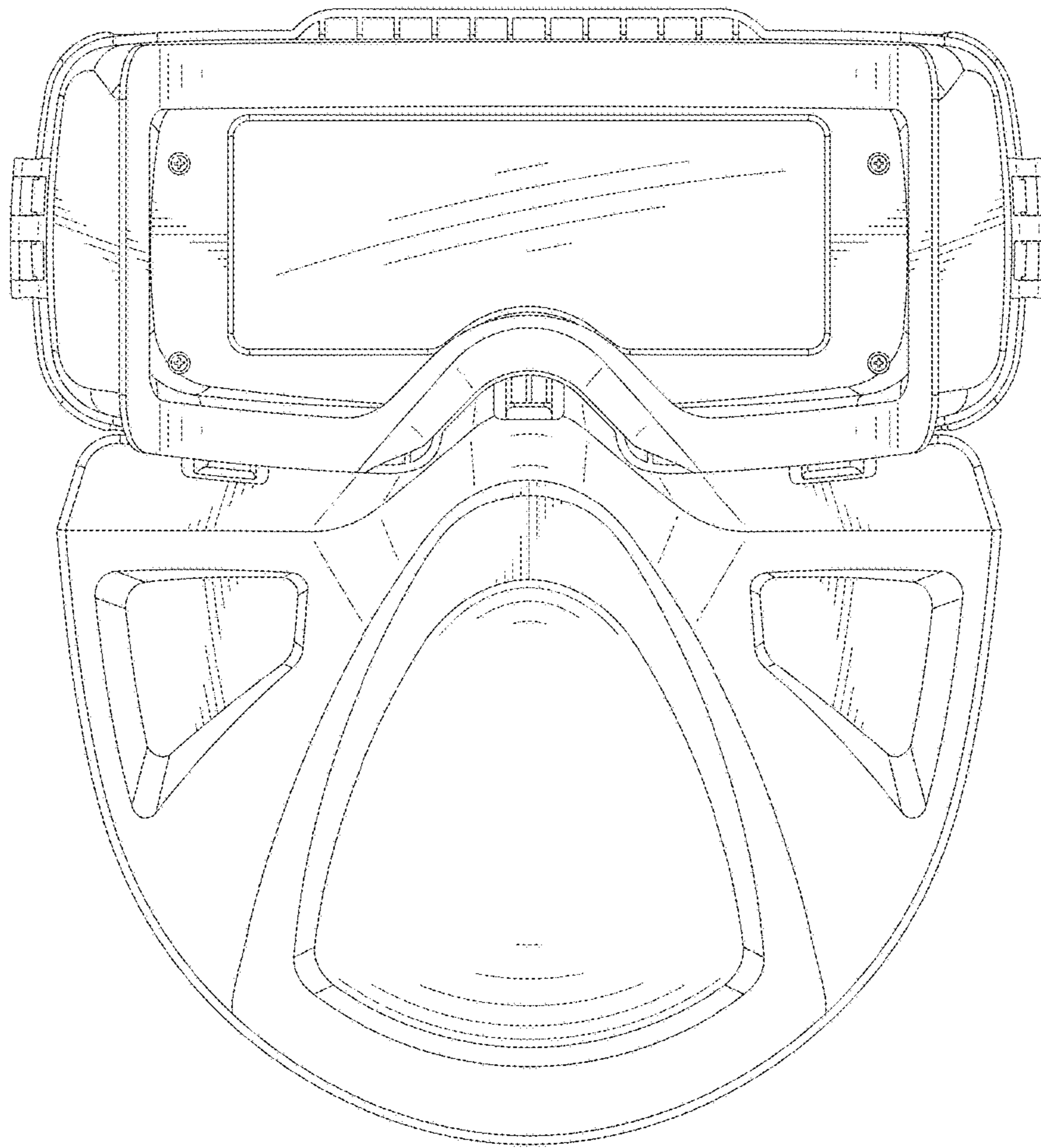


FIG.2

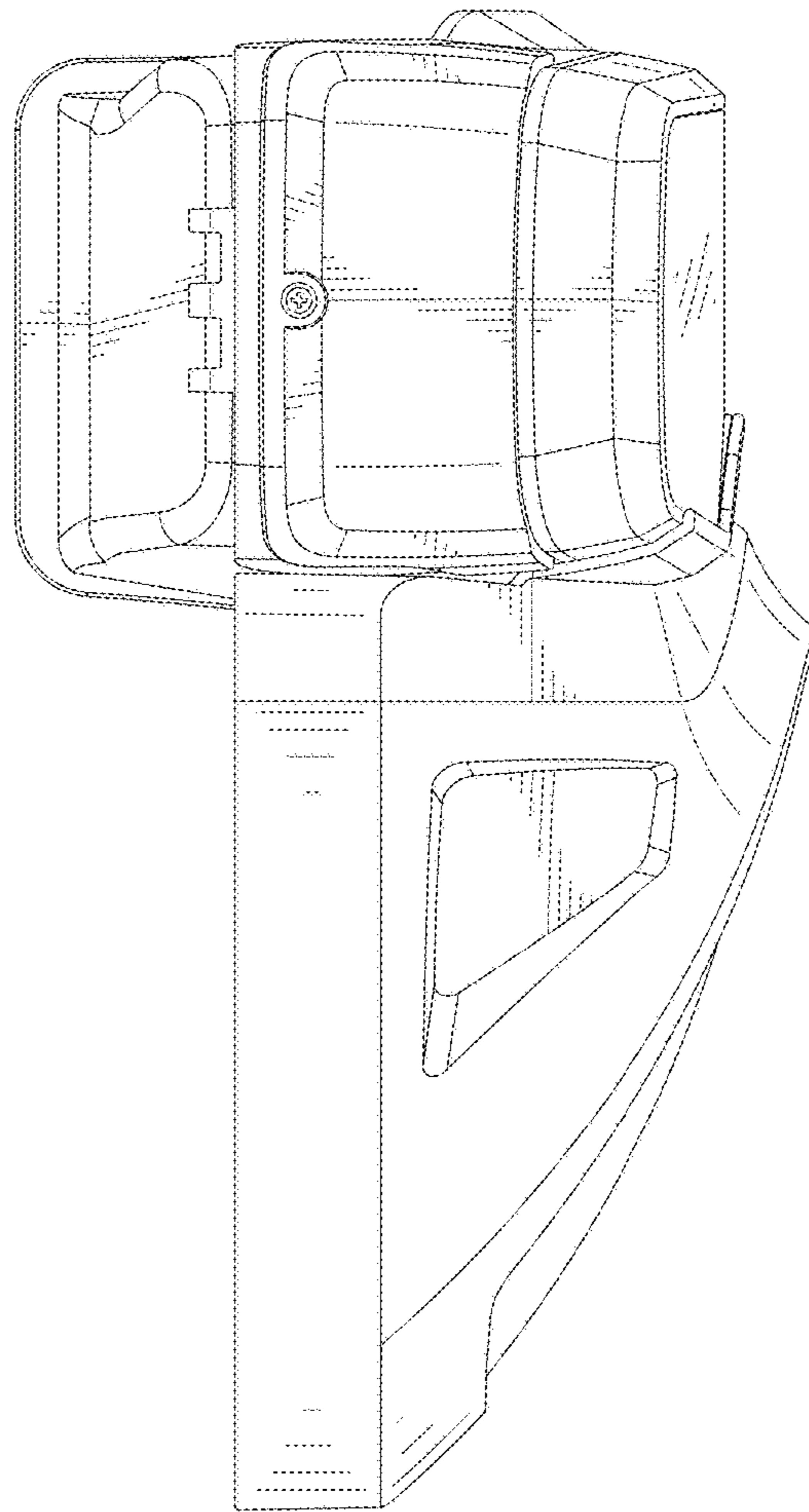


FIG.3

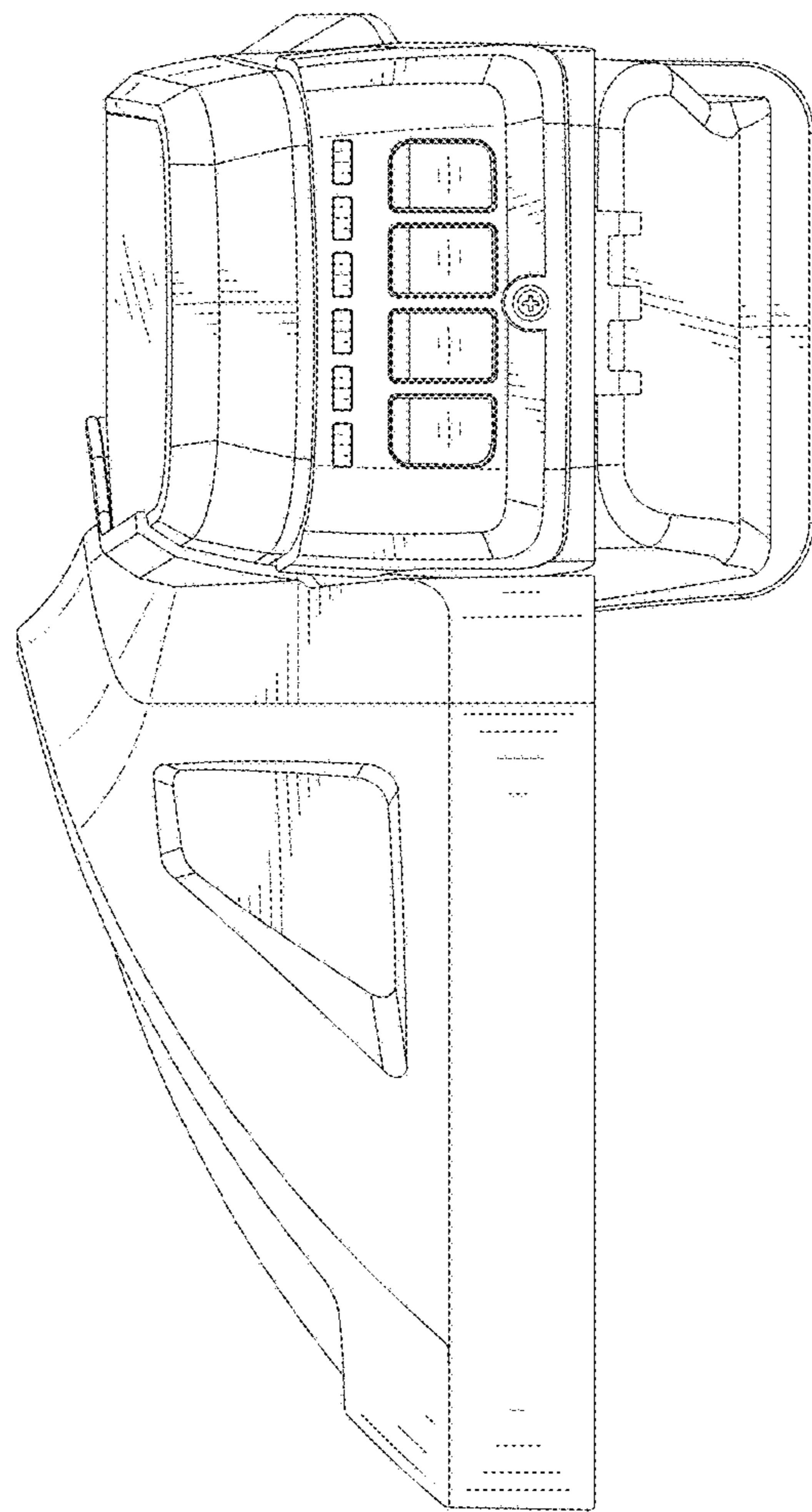


FIG.4

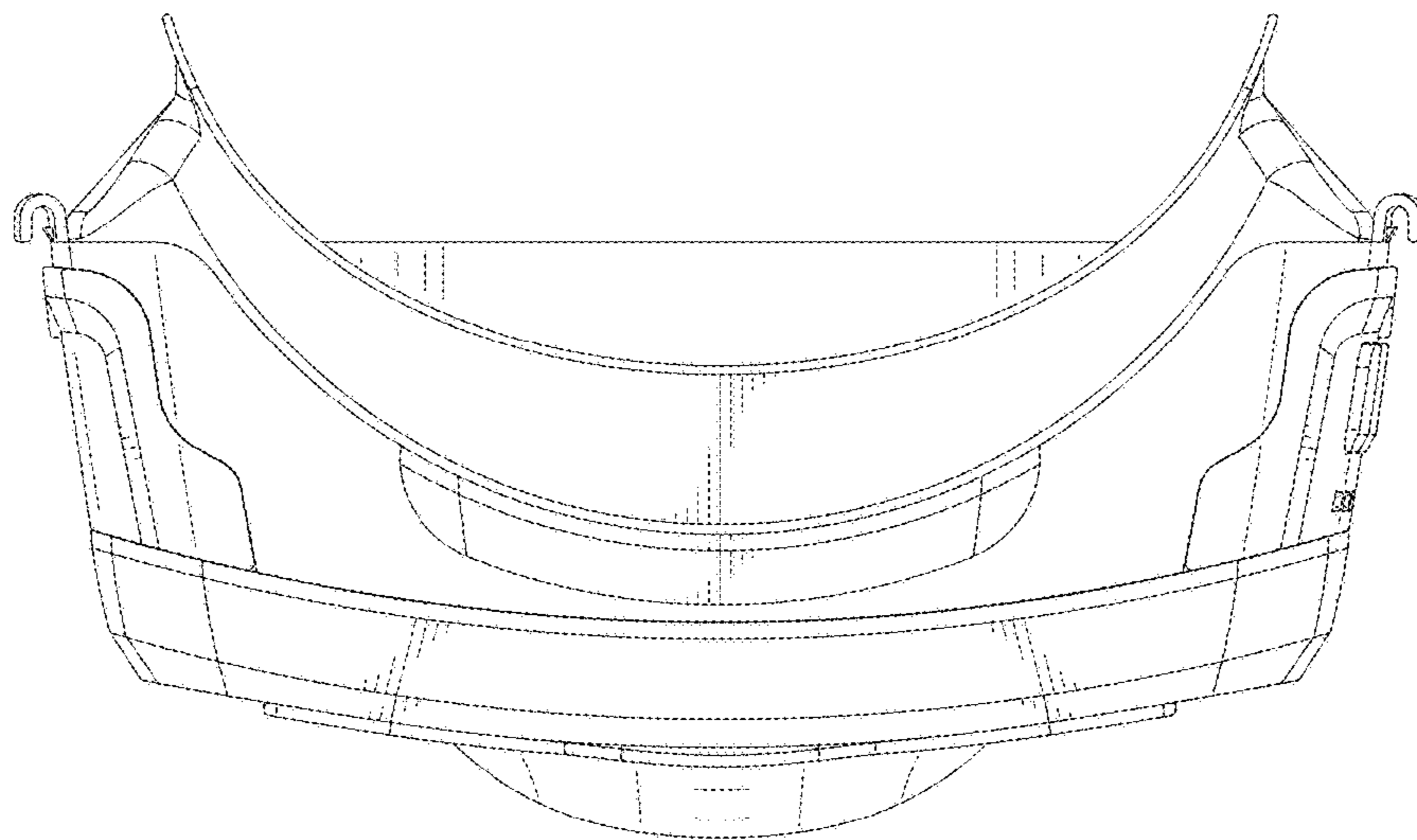


FIG. 5

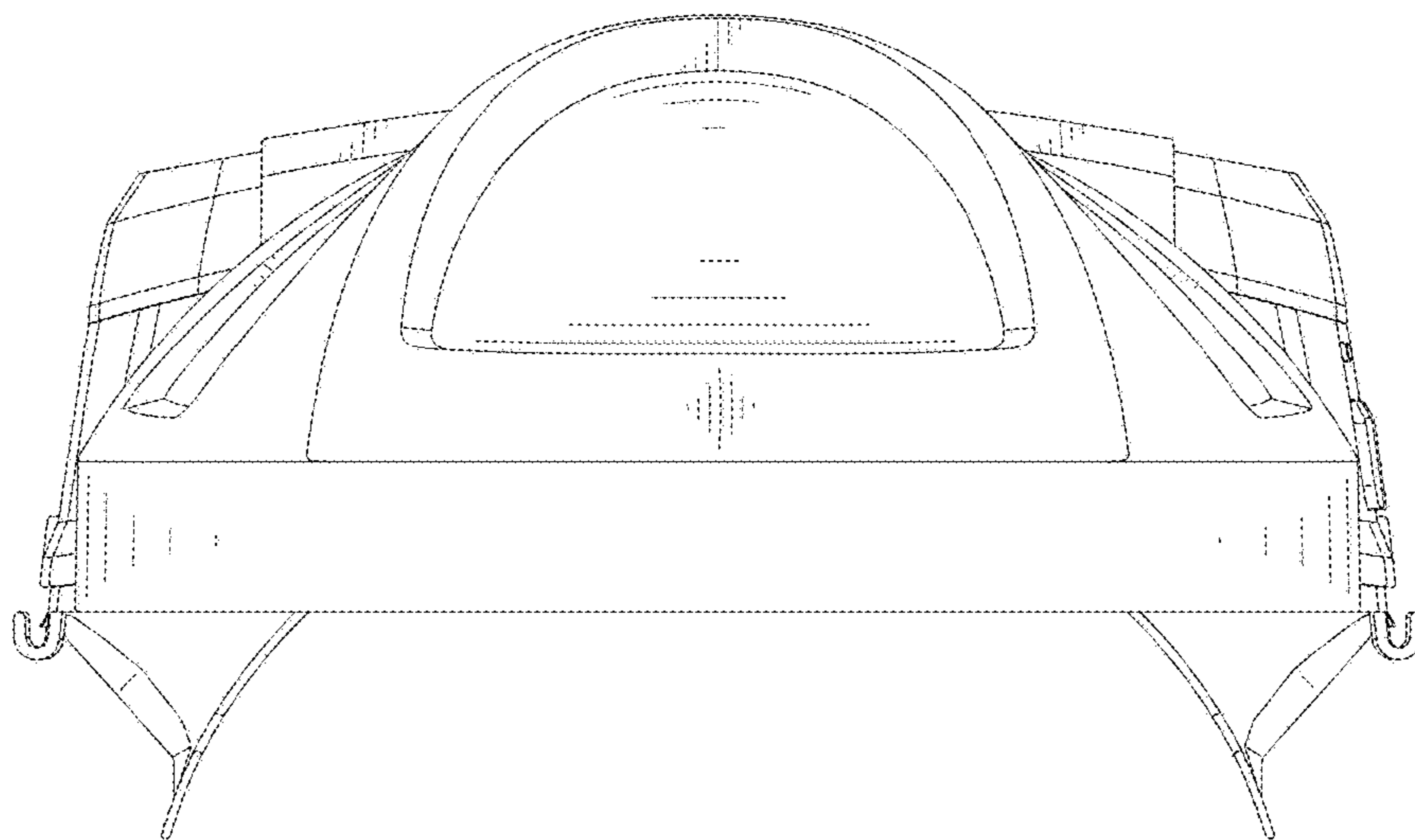


FIG.6



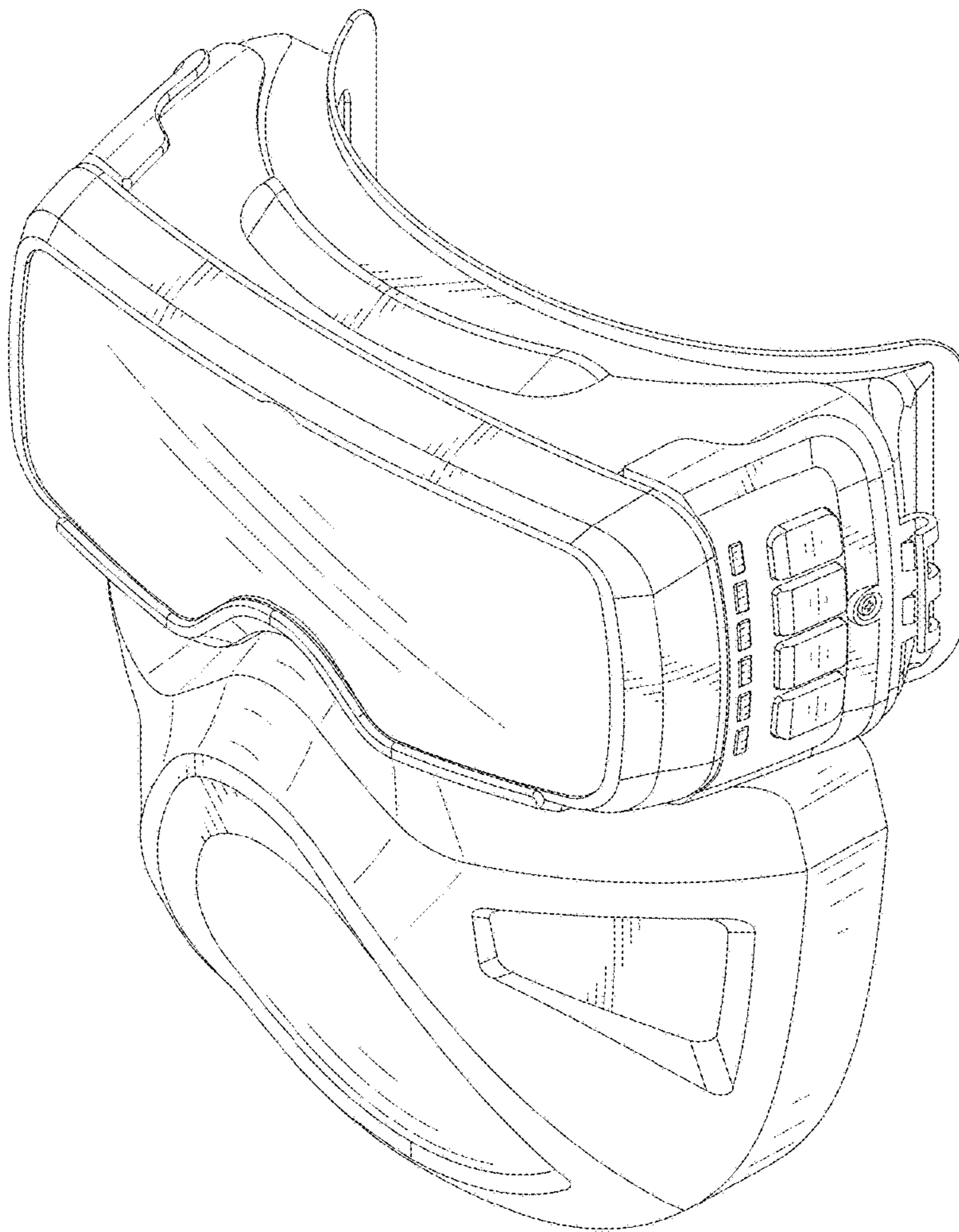


FIG.7

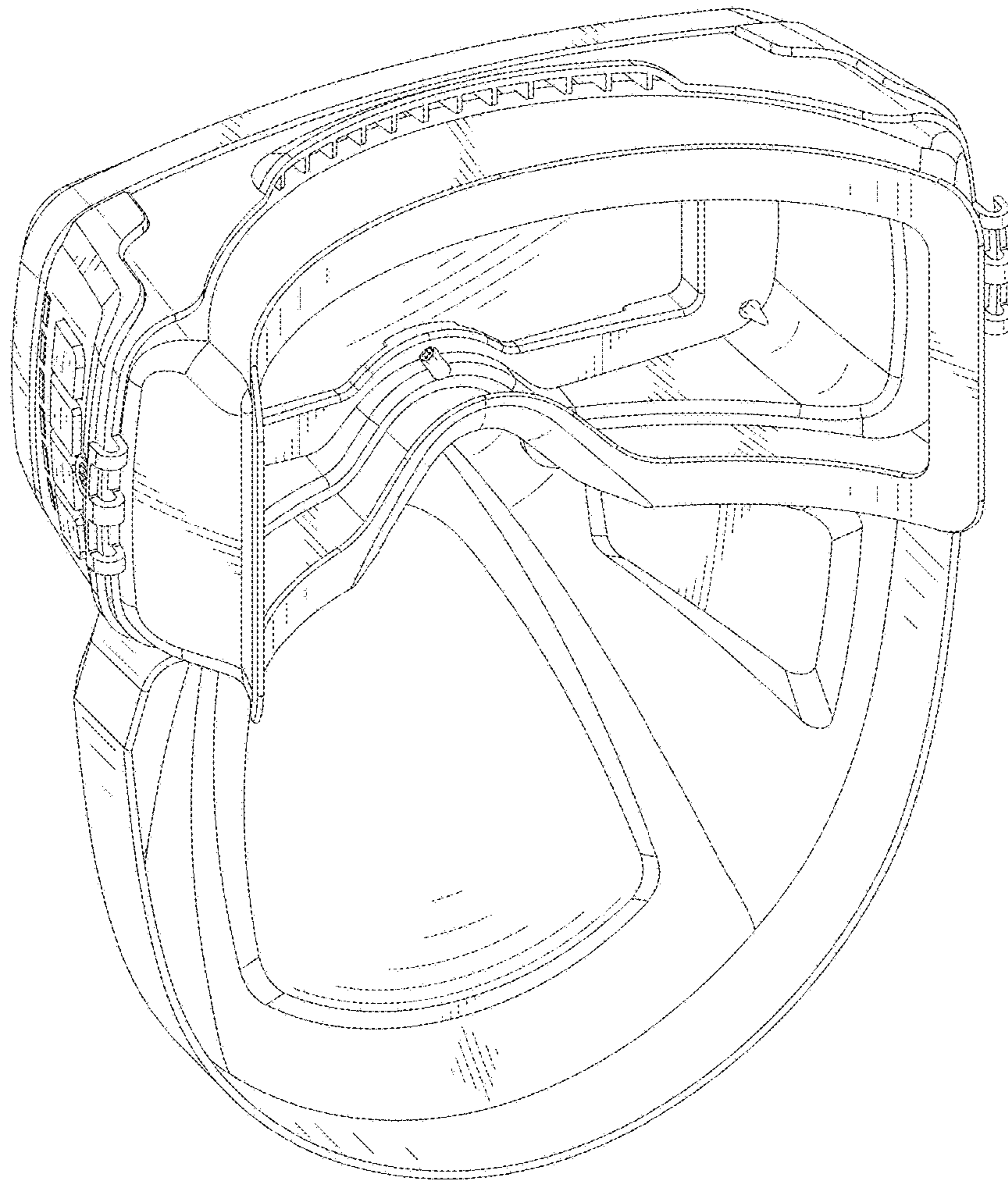


FIG.8

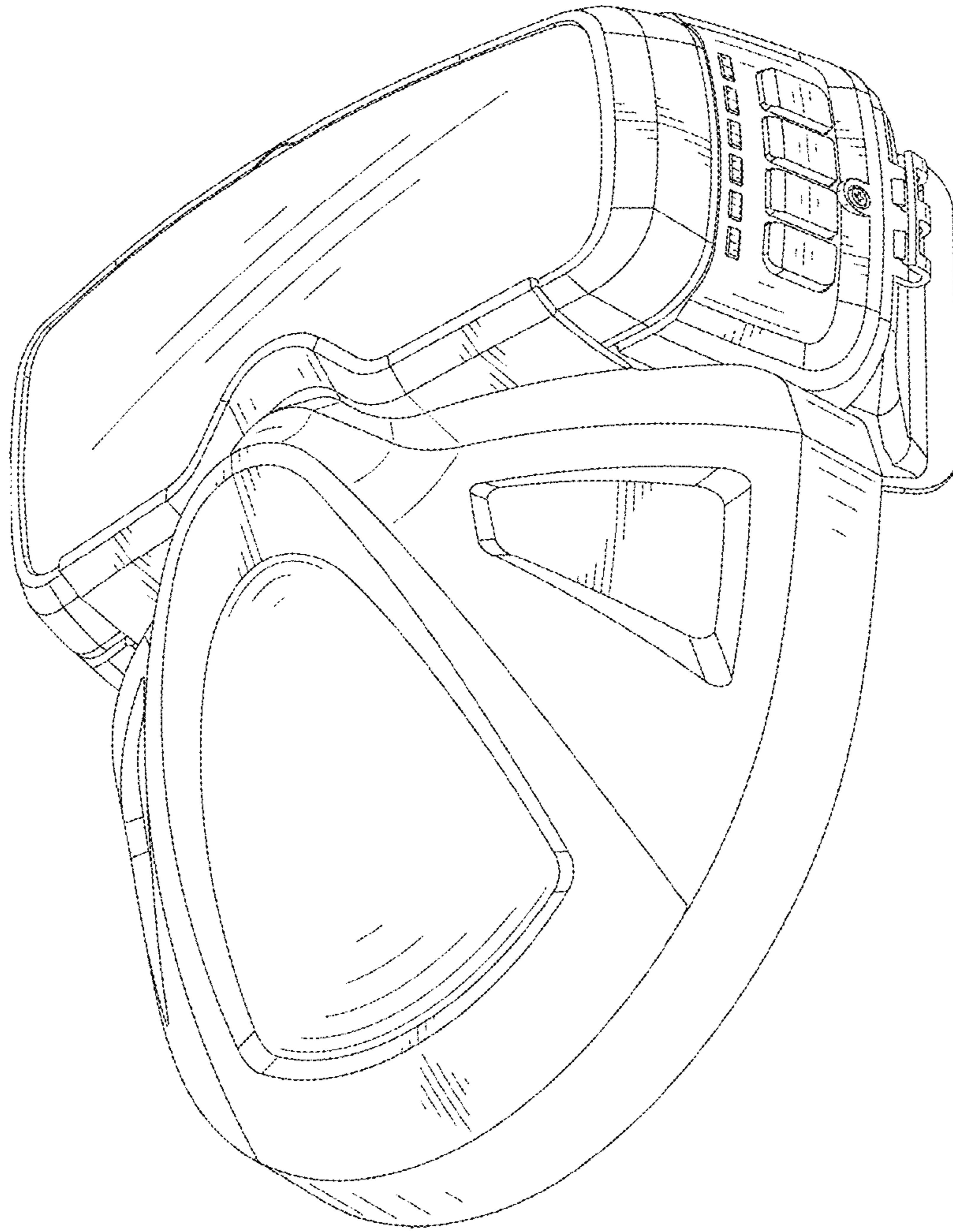


FIG.9

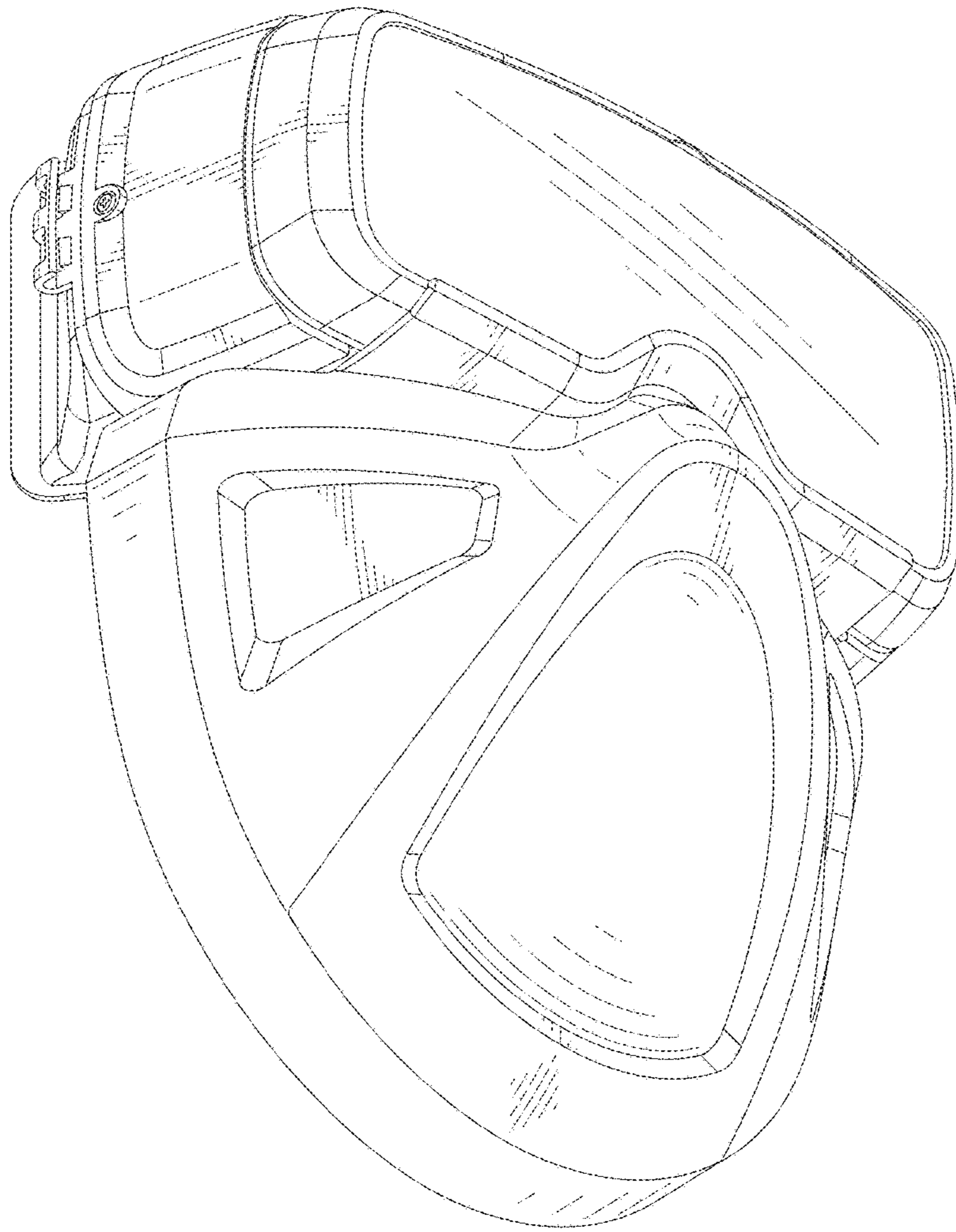


FIG.10