



US00D864282S

(12) **United States Design Patent** (10) **Patent No.:** **US D864,282 S**  
**Liu** (45) **Date of Patent:** **\*\* Oct. 22, 2019**

(54) **TRIPOD**  
(71) Applicant: **Peng Liu**, Guangdong (CN)  
(72) Inventor: **Peng Liu**, Guangdong (CN)  
(\*\*) Term: **15 Years**  
(21) Appl. No.: **29/624,430**

2009/0250567 A1\* 10/2009 Raynaud ..... F16M 11/16  
248/168  
2010/0019109 A1\* 1/2010 Liu ..... F16M 11/046  
248/168  
2011/0260016 A1\* 10/2011 Johnson ..... F16M 11/16  
248/168  
2015/0076296 A1\* 3/2015 Yang ..... F16M 11/041  
248/163.2  
2015/0338017 A1\* 11/2015 De Faveri ..... F16M 11/16  
396/428

(22) Filed: **Nov. 1, 2017**  
(51) **LOC (12) Cl.** ..... **16-05**  
(52) **U.S. Cl.**  
USPC ..... **D16/244**  
(58) **Field of Classification Search**  
USPC ..... D16/219, 237-250; D14/224, 229, 238,  
D14/251, 253, 447, 451, 457; D8/354,  
D8/355, 363, 373, 382-383, 394-396  
CPC ..... F16M 11/06-10; F16M 11/14; G02B  
7/00-002; G03B 17/56; G03B  
17/561-568; H04N 5/2253-2254; A45F  
2200/0508-0533; A45F 5/00; A45F 5/10  
See application file for complete search history.

**OTHER PUBLICATIONS**

Vanguard Alta Pro 263AB 100 Aluminum-Alloy Alta Pro 263AB 100. [online] Published Feb. 2, 2011. Retrieved Nov. 19, 2018 from URL: [https://www.bhphotovideo.com/c/product/745960-REG/Vanguard\\_ALTA\\_PRO\\_263AB\\_100\\_Alta\\_Pro\\_263AB\\_100.html](https://www.bhphotovideo.com/c/product/745960-REG/Vanguard_ALTA_PRO_263AB_100_Alta_Pro_263AB_100.html).  
Be Free Aluminium Travel Tripod with ball head\_black MKBFRA4-BH. [online ] Published Sep. 13, 2017. Retrieved Nov. 19, 2018 from URL: <https://www.manfrotto.co.uk/be-free-aluminium-travel-tripod-with-ball-head-black>.\*

\* cited by examiner

*Primary Examiner* — Vy N Koenig

(57) **CLAIM**

I claim the ornamental design for a tripod, as shown and described.

(56) **References Cited**

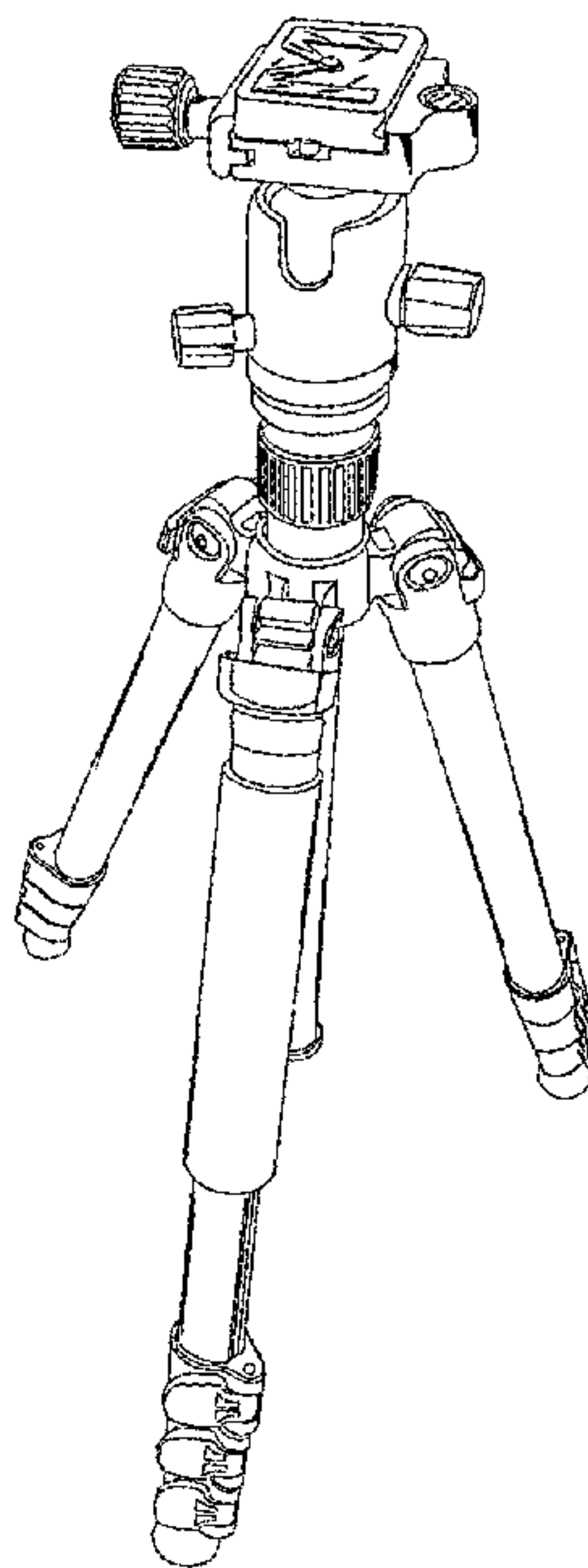
**U.S. PATENT DOCUMENTS**

D607,037 S \* 12/2009 Lee ..... D16/244  
9,004,419 B2 \* 4/2015 Nakatani ..... F16M 11/126  
248/178.1  
9,372,383 B2 \* 6/2016 Johnson, Sr. .... G03B 17/568  
D807,421 S \* 1/2018 Yin ..... D16/244  
2003/0146354 A1\* 8/2003 Speggiorin ..... F16M 11/32  
248/167  
2008/0121767 A1\* 5/2008 Wimberley ..... F16M 11/14  
248/181.1  
2008/0224000 A1\* 9/2008 Yang ..... F16M 11/16  
248/188.5

**DESCRIPTION**

FIG. 1 is a perspective view of a tripod showing my new design;  
FIG. 2 is a front elevational view thereof;  
FIG. 3 is a rear elevational view thereof;  
FIG. 4 is a left side elevational view thereof;  
FIG. 5 is a right side elevational view thereof;  
FIG. 6 is a top plan view thereof; and,  
FIG. 7 is a bottom plan view thereof.

**1 Claim, 7 Drawing Sheets**



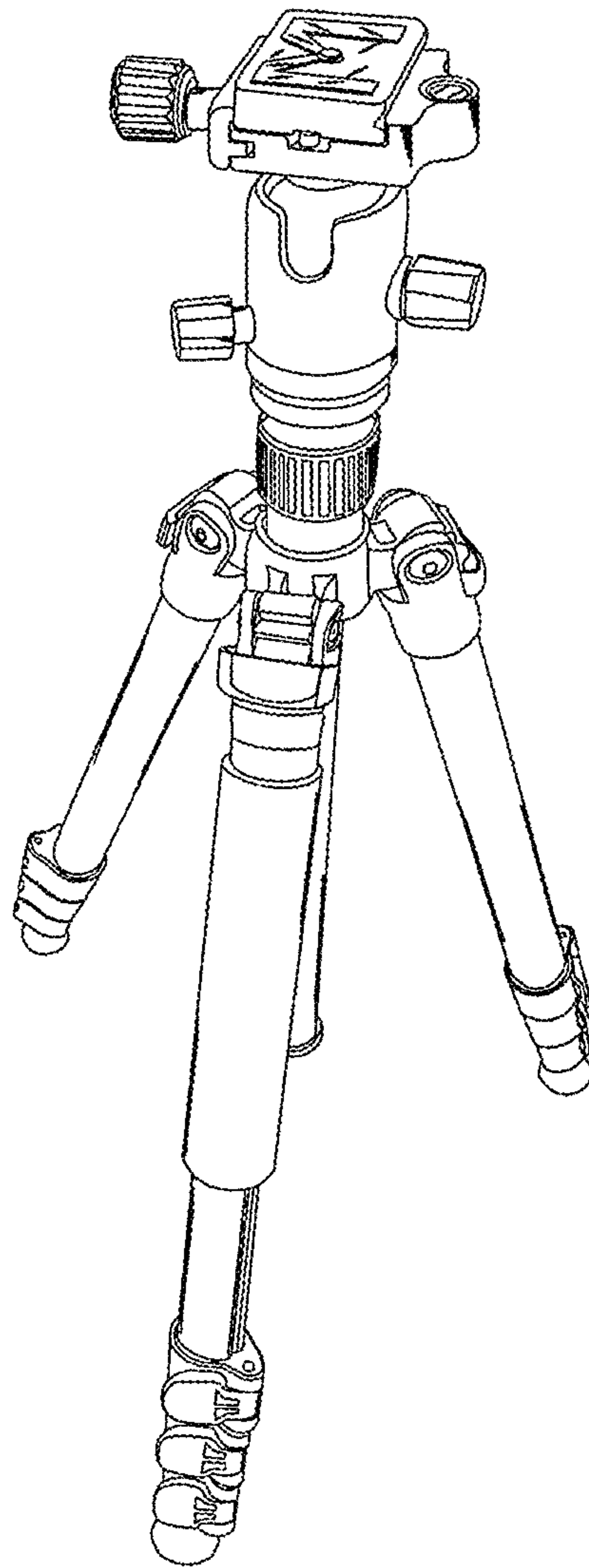


FIG. 1

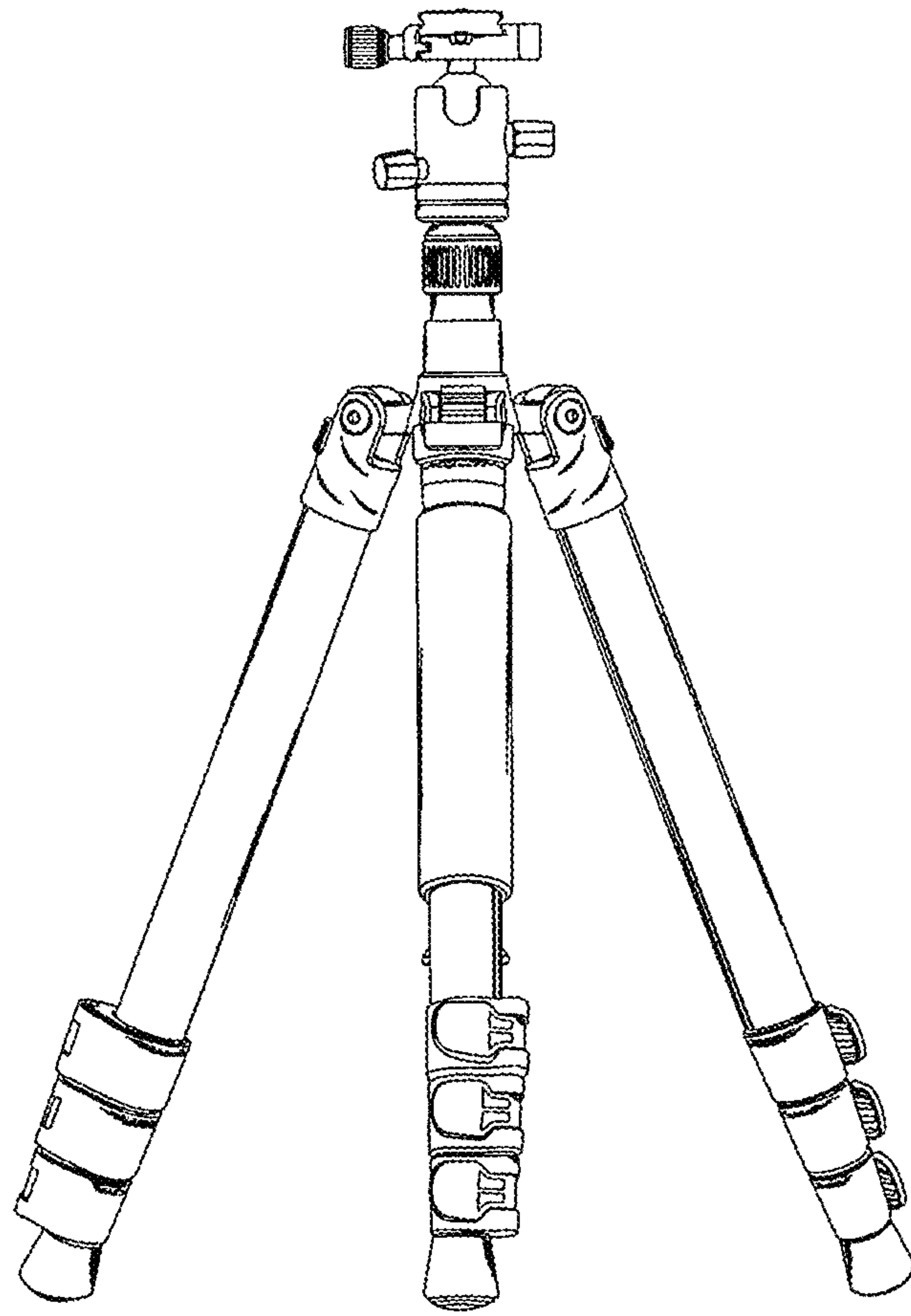


FIG. 2

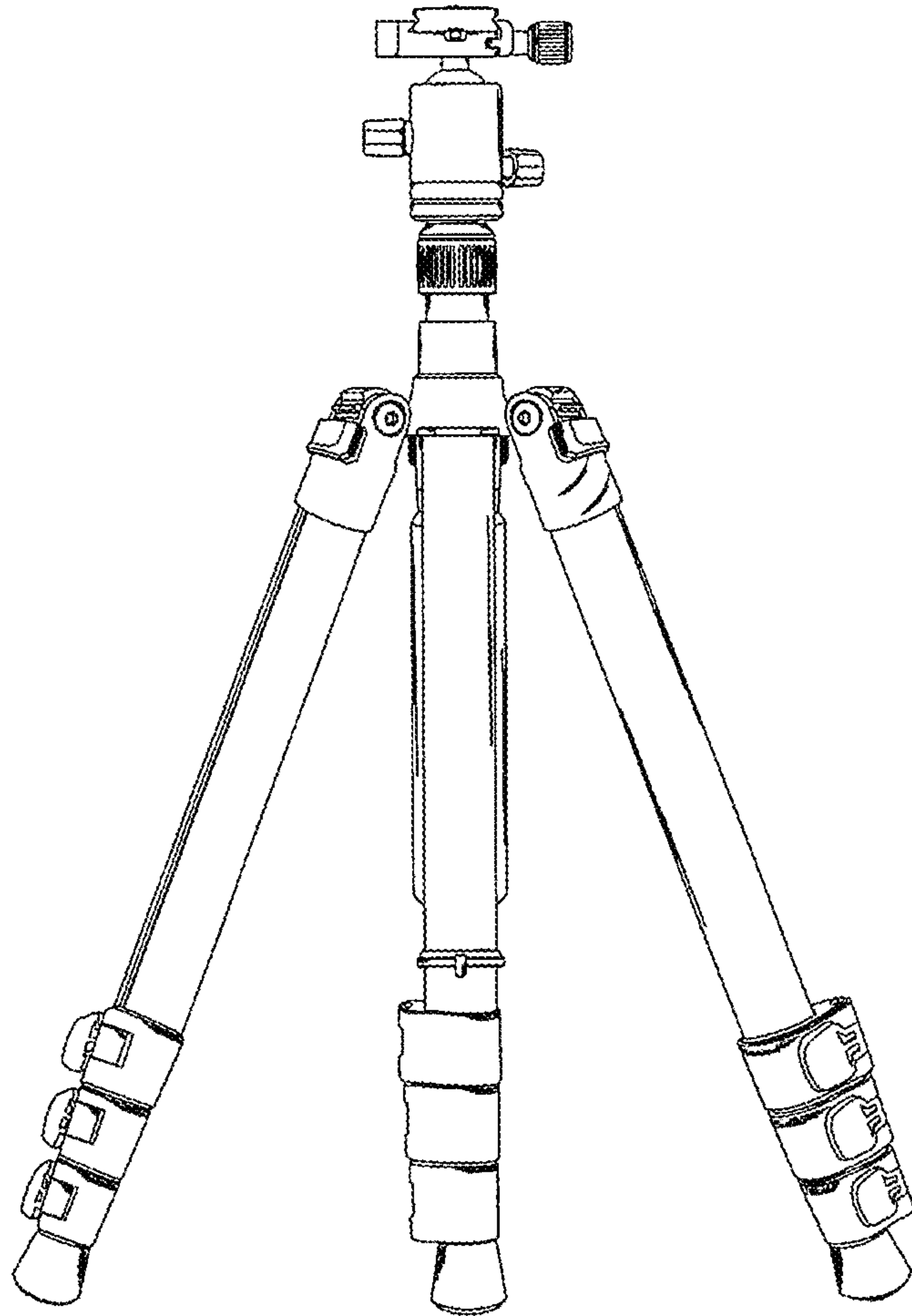


FIG. 3

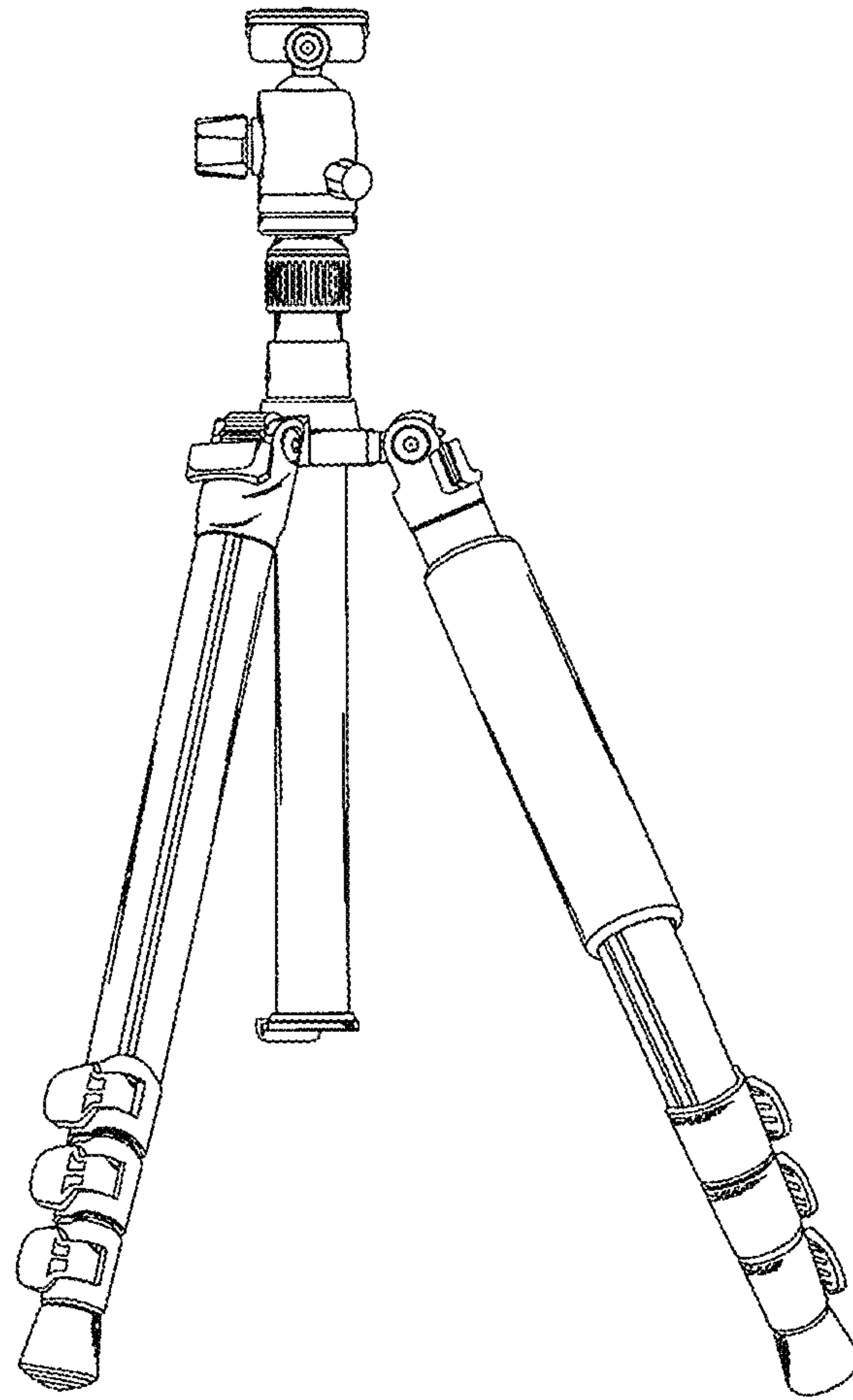


FIG. 4

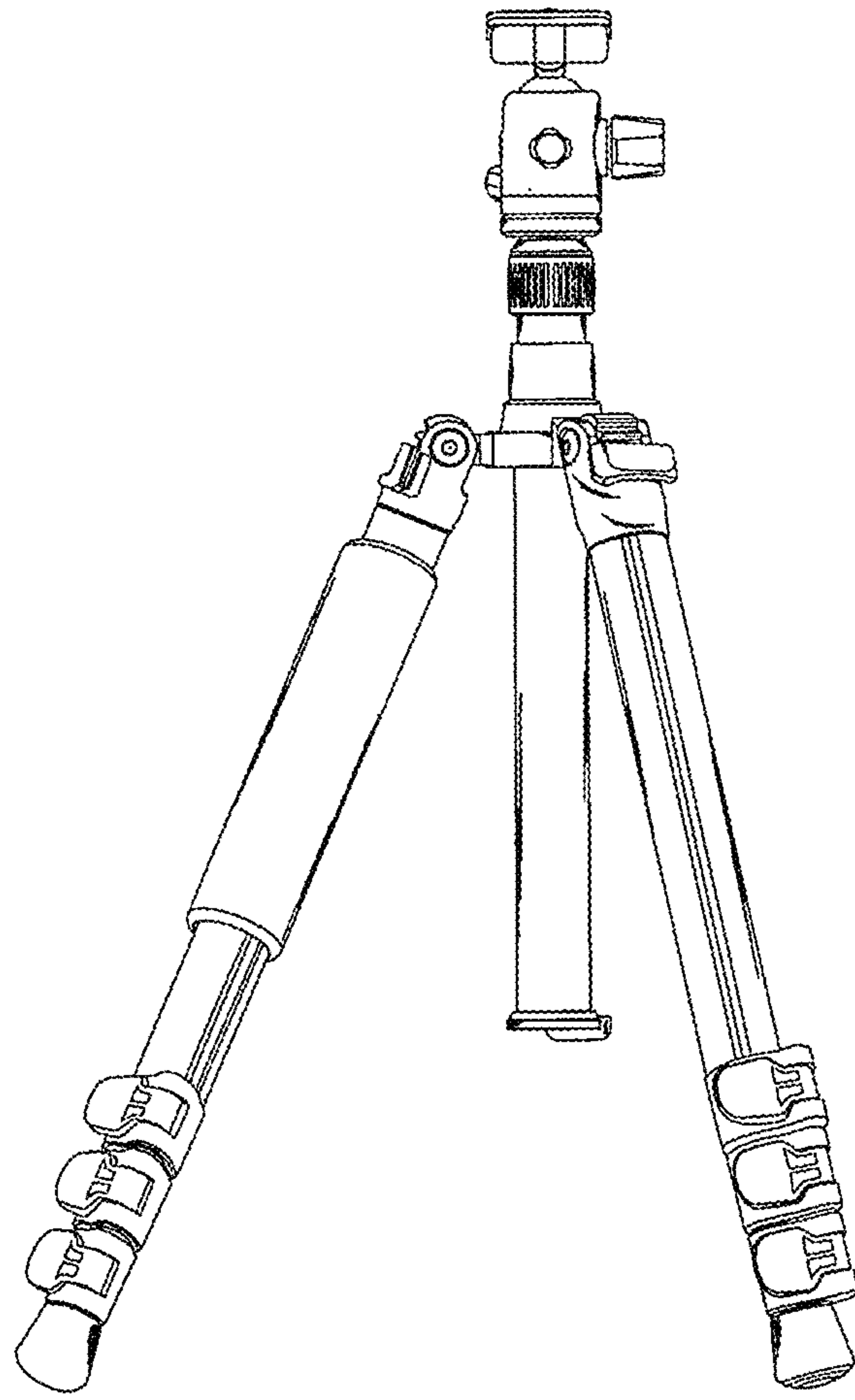


FIG. 5



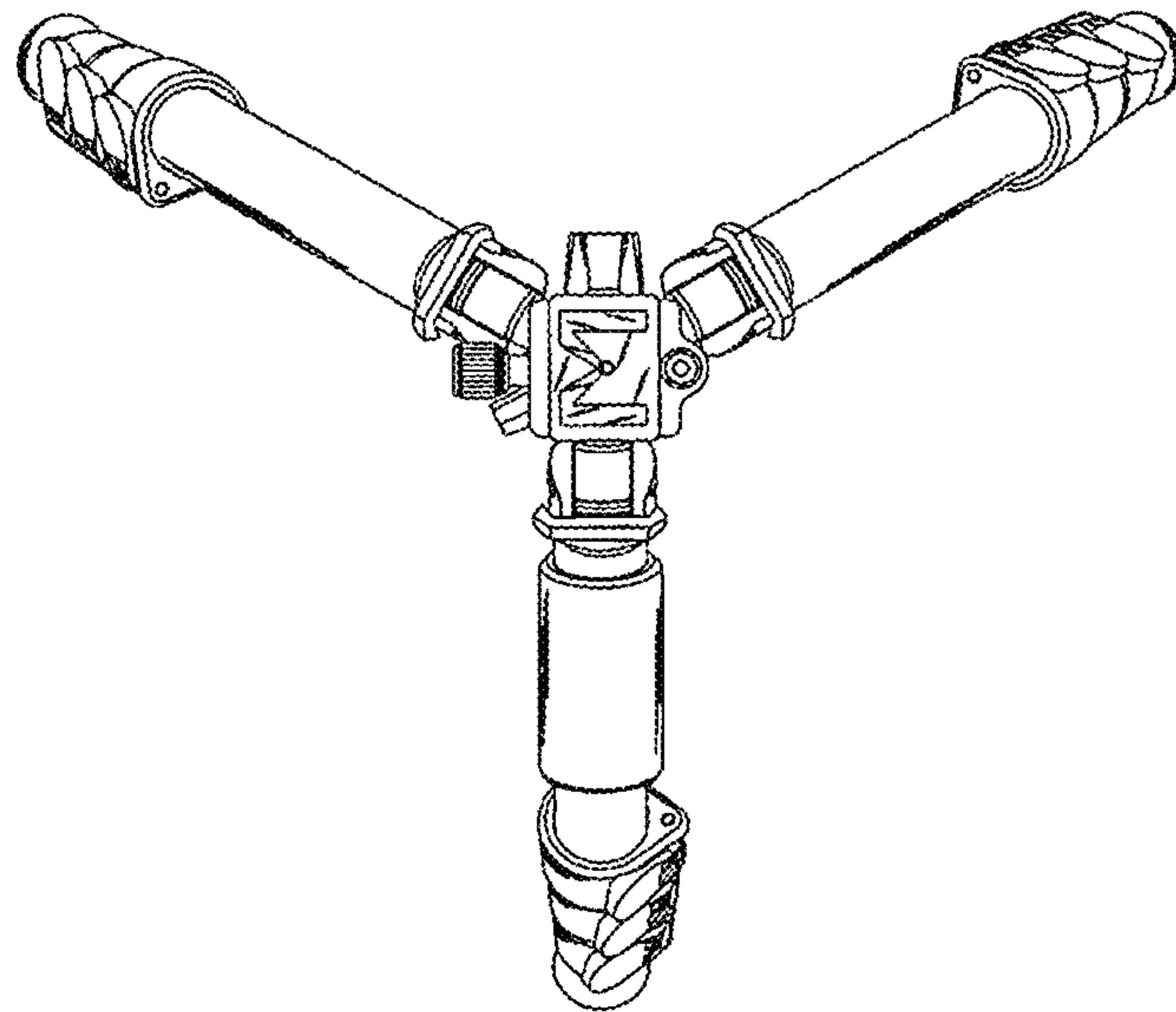


FIG. 6

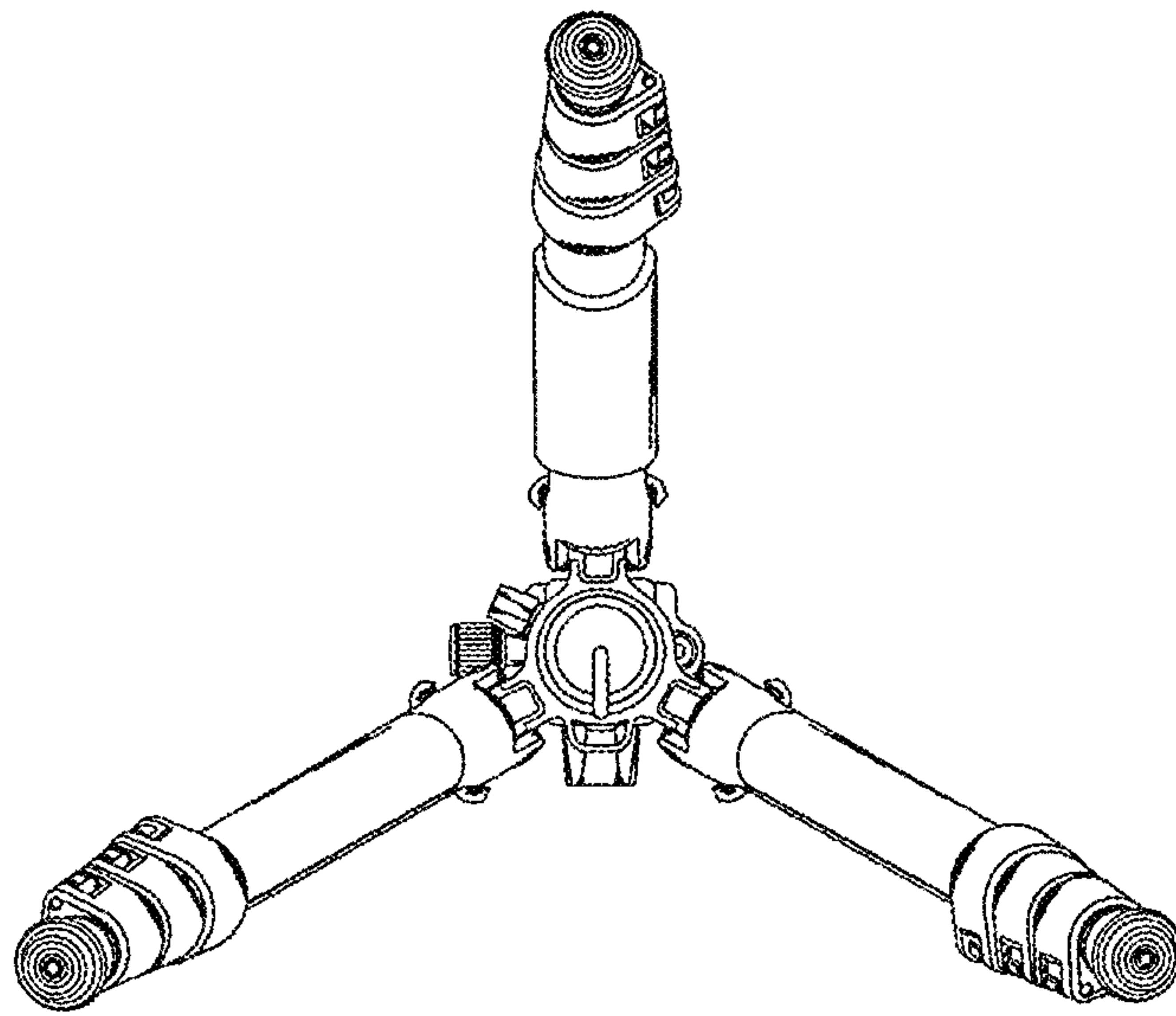


FIG. 7