



US00D864280S

(12) **United States Design Patent**  
**Speggiorin**

(10) **Patent No.:** **US D864,280 S**

(45) **Date of Patent:** **\*\* Oct. 22, 2019**

(54) **SUPPORT HEAD FOR VIDEO-PHOTOGRAPHIC APPARATUS**

(71) Applicant: **VITEC IMAGING SOLUTIONS S.P.A.**, Cassola (VI) (IT)

(72) Inventor: **Paolo Speggiorin**, Mussolente (IT)

(73) Assignee: **VITEC IMAGING SOLUTIONS S.P.A.**, Cassola (VI) (IT)

(\*\*) Term: **15 Years**

(21) Appl. No.: **29/624,305**

(22) Filed: **Oct. 31, 2017**

(30) **Foreign Application Priority Data**

Dec. 10, 2017 (EM) ..... 004398709

(51) **LOC (12) Cl.** ..... **16-05**

(52) **U.S. Cl.**  
USPC ..... **D16/242**

(58) **Field of Classification Search**  
USPC ..... D16/219, 237-250; D14/224, 229, 238, D14/251, 253, 447, 451, 457; D8/354, D8/355, 363, 373, 382-383, 394-396  
CPC ..... F16M 11/06-10; F16M 11/14; G02B 7/00-002; G03B 17/56; G03B 17/561-568; H04N 5/2253-2254; A45F 2200/0508-0533; A45F 5/00; A45F 5/10  
See application file for complete search history.

(56) **References Cited**

**U.S. PATENT DOCUMENTS**

D382,288 S \* 8/1997 Usui ..... D16/245  
D600,736 S \* 9/2009 Zen ..... D16/242  
D607,038 S \* 12/2009 Carlesso ..... D16/245  
7,670,066 B2 \* 3/2010 Araki ..... F16M 11/10  
396/428

D613,327 S \* 4/2010 Zen ..... D16/242  
D617,360 S \* 6/2010 Endo ..... D16/134  
D629,828 S \* 12/2010 Guidolin ..... D16/245  
8,628,258 B2 \* 1/2014 Vogt ..... F16M 11/041  
396/428  
9,372,383 B2 \* 6/2016 Johnson, Sr. .... G03B 17/568  
D771,733 S \* 11/2016 Wang ..... D16/242  
D791,216 S \* 7/2017 Wang ..... D16/242  
D797,179 S \* 9/2017 Dordick ..... D16/245  
D799,581 S \* 10/2017 Lin ..... D16/242  
D816,150 S \* 4/2018 Liao ..... D16/242  
D820,343 S \* 6/2018 Dordick ..... D16/242  
2010/0266271 A1 \* 10/2010 Carlesso ..... F16C 11/0604  
396/428  
2015/0028171 A1 \* 1/2015 Guidolin ..... F16M 11/043  
248/178.1  
2017/0123297 A1 \* 5/2017 Speggiorin ..... F16M 11/105

\* cited by examiner

*Primary Examiner* — Vy N Koenig

(74) *Attorney, Agent, or Firm* — Volpe and Koenig, P.C.

(57) **CLAIM**

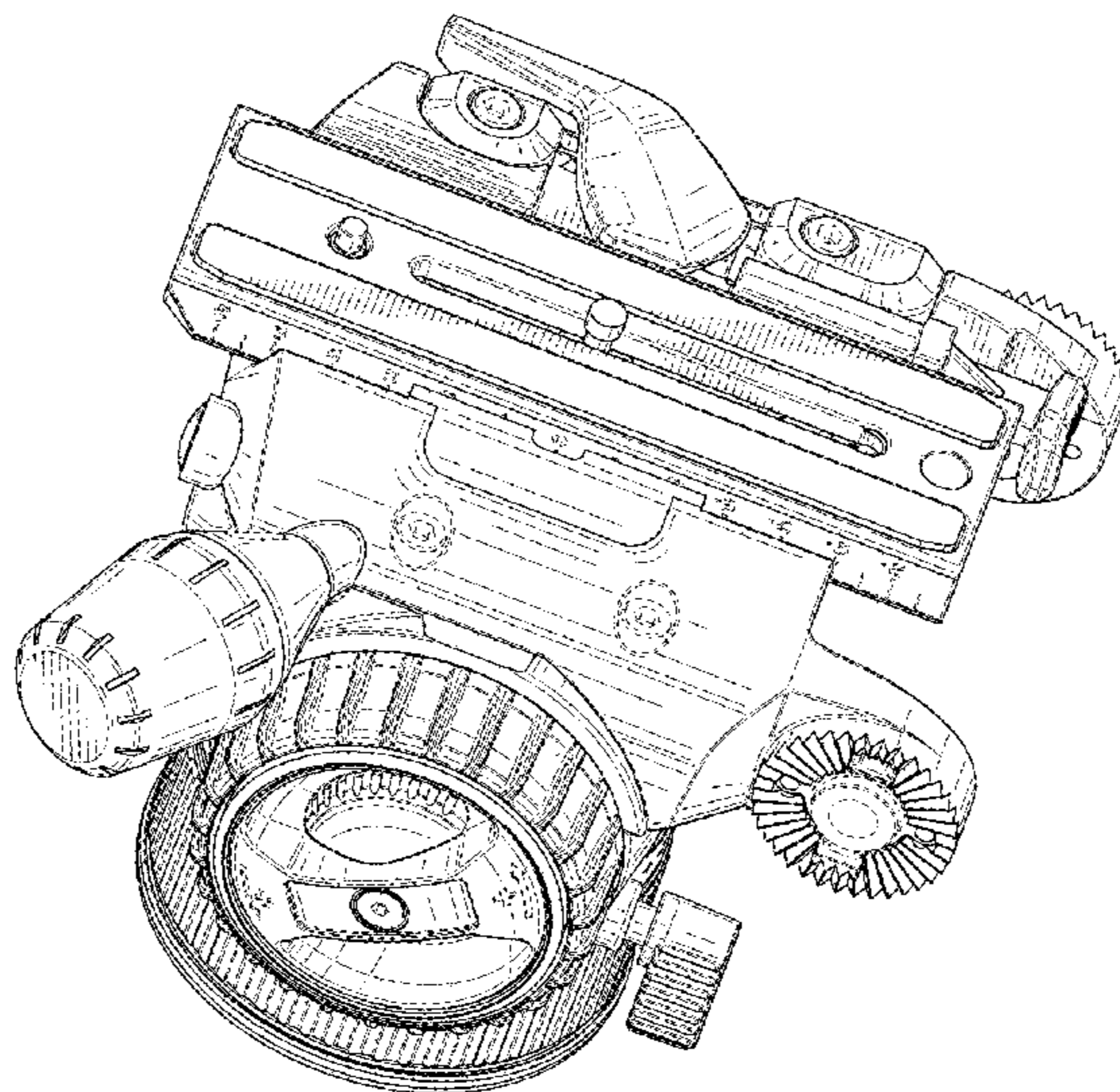
The ornamental design for a support head for video-photographic apparatus, as shown and described.

**DESCRIPTION**

FIG. 1 is a top perspective view of a support head for video-photographic apparatus, showing my new design;  
FIG. 2 is a front view thereof;  
FIG. 3 is a rear view thereof;  
FIG. 4 is a right elevation view thereof;  
FIG. 5 is a left elevation view thereof;  
FIG. 6 is a bottom view thereof; and,  
FIG. 7 is a top view thereof.

The broken lines in the drawings are intended to show environmental structure or boundaries that form no part of the claimed design.

**1 Claim, 7 Drawing Sheets**



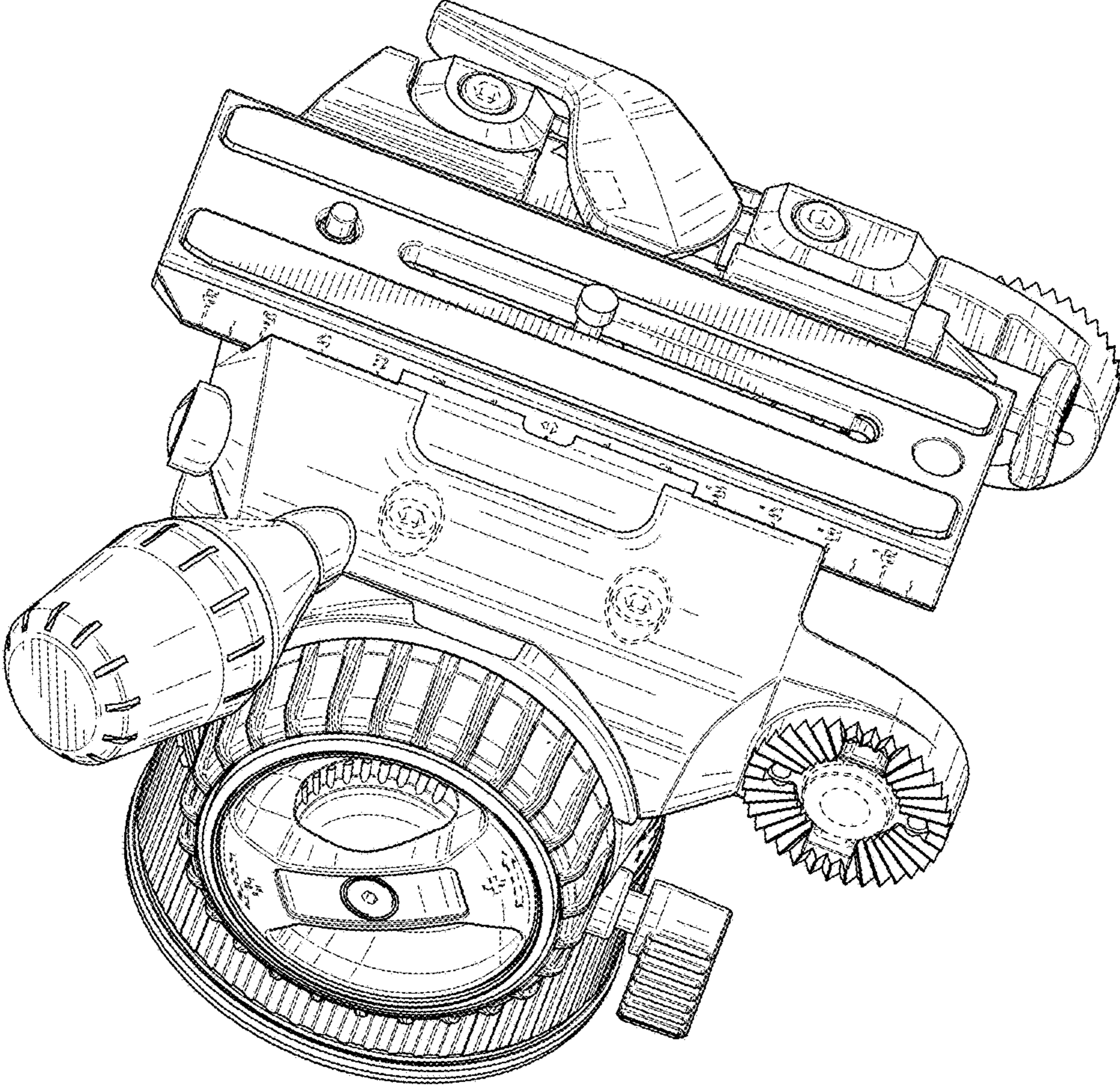


FIG. 1

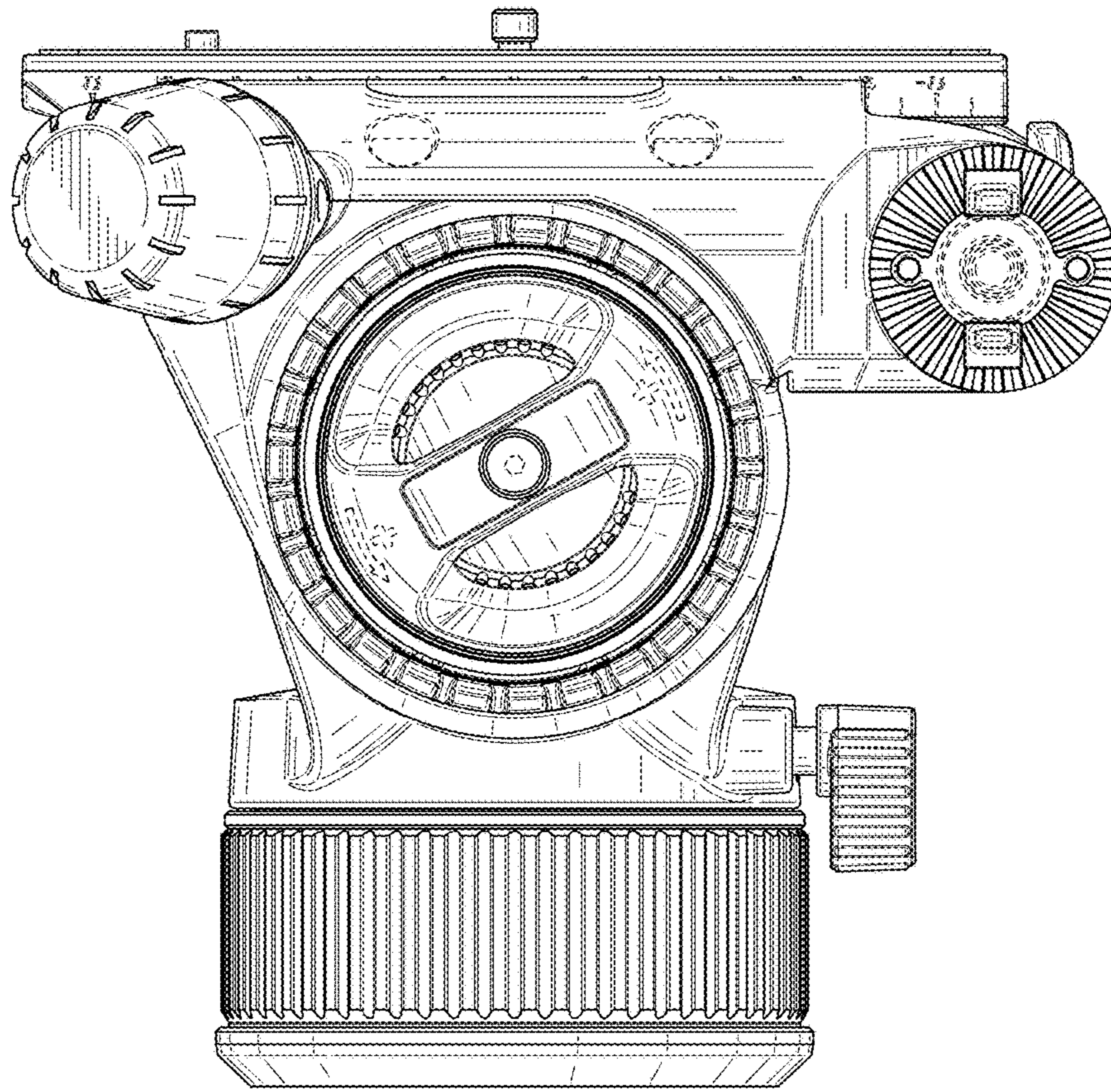


FIG. 2

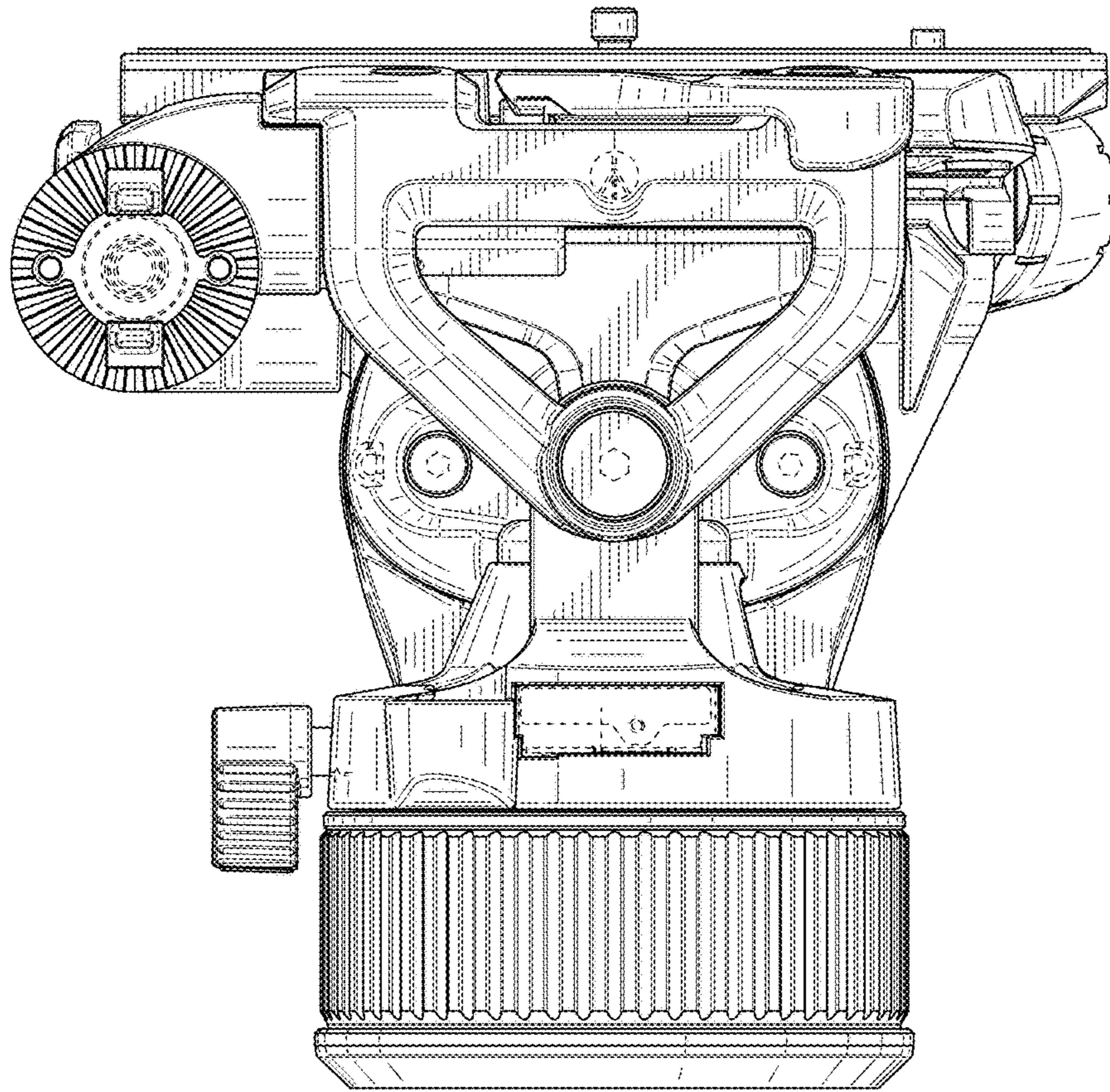


FIG. 3

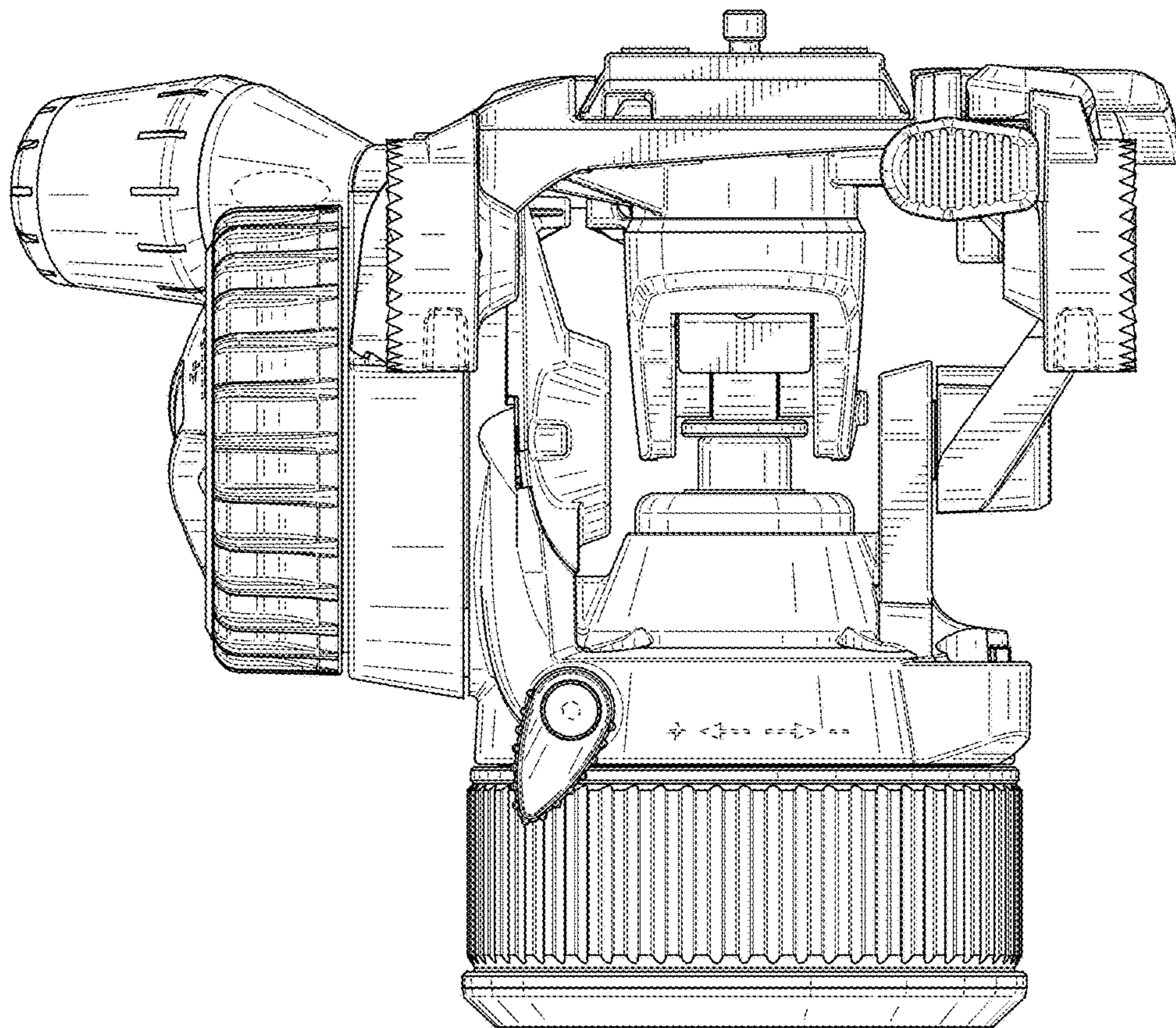


FIG. 4

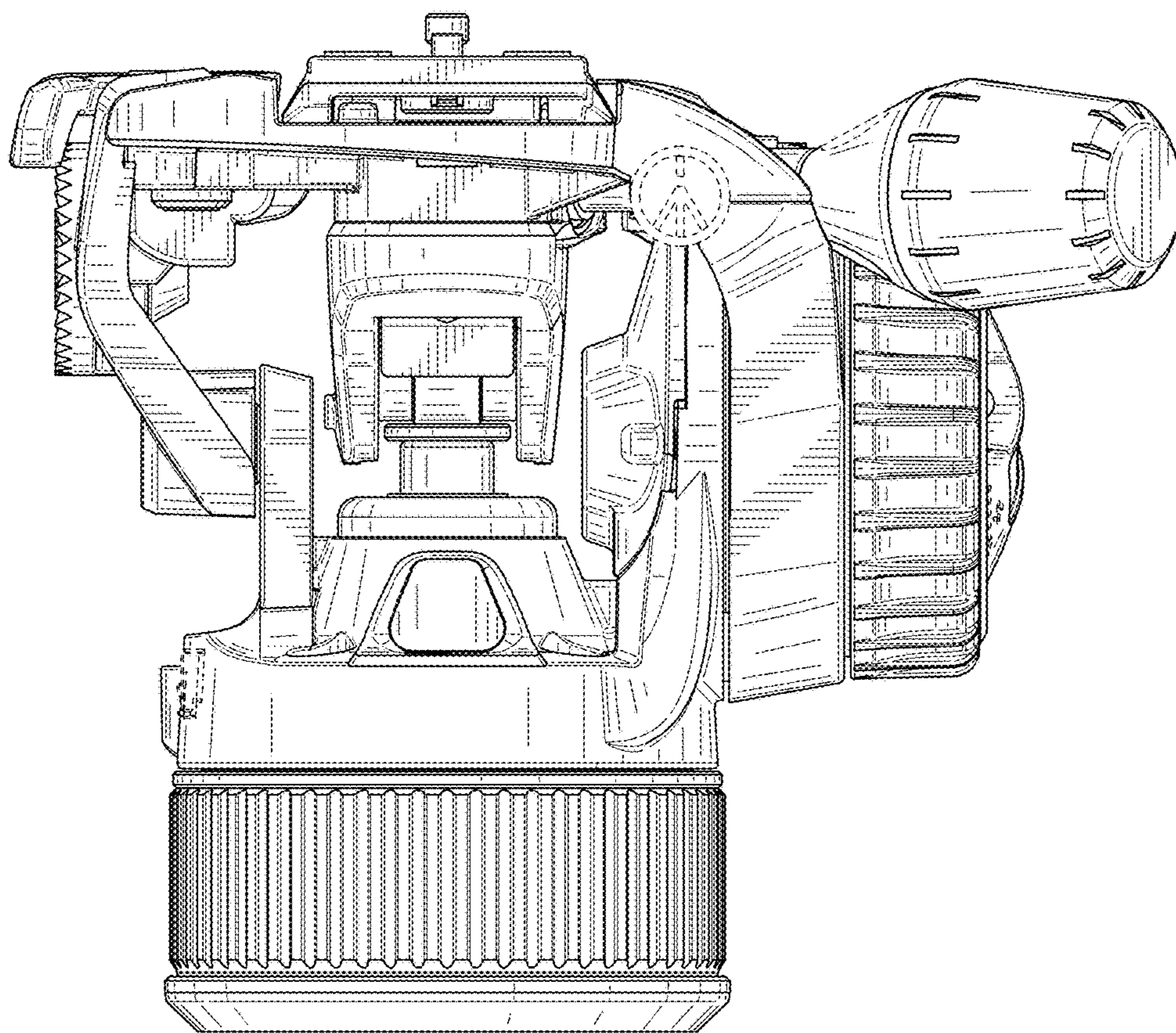


FIG. 5

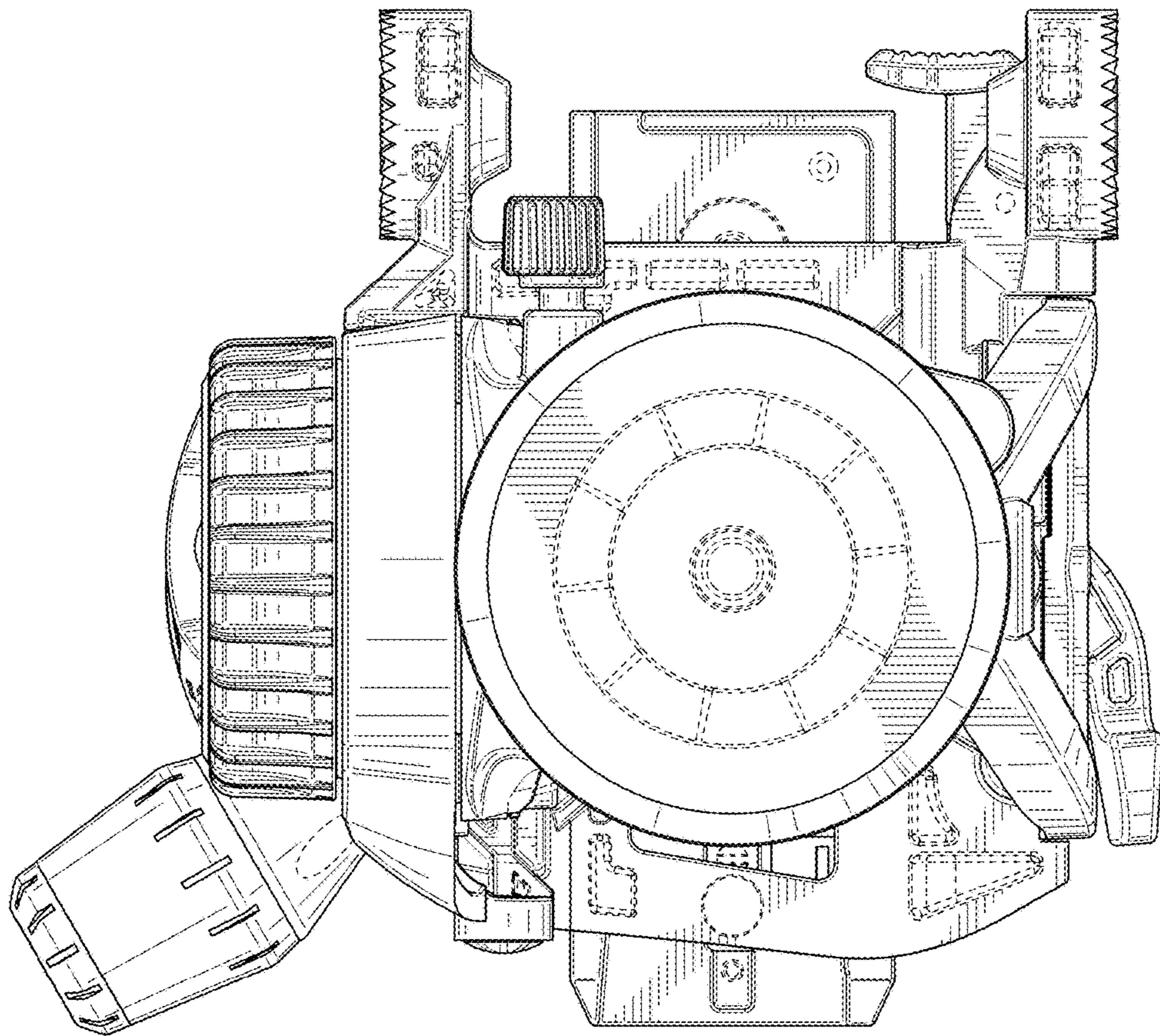


FIG. 6

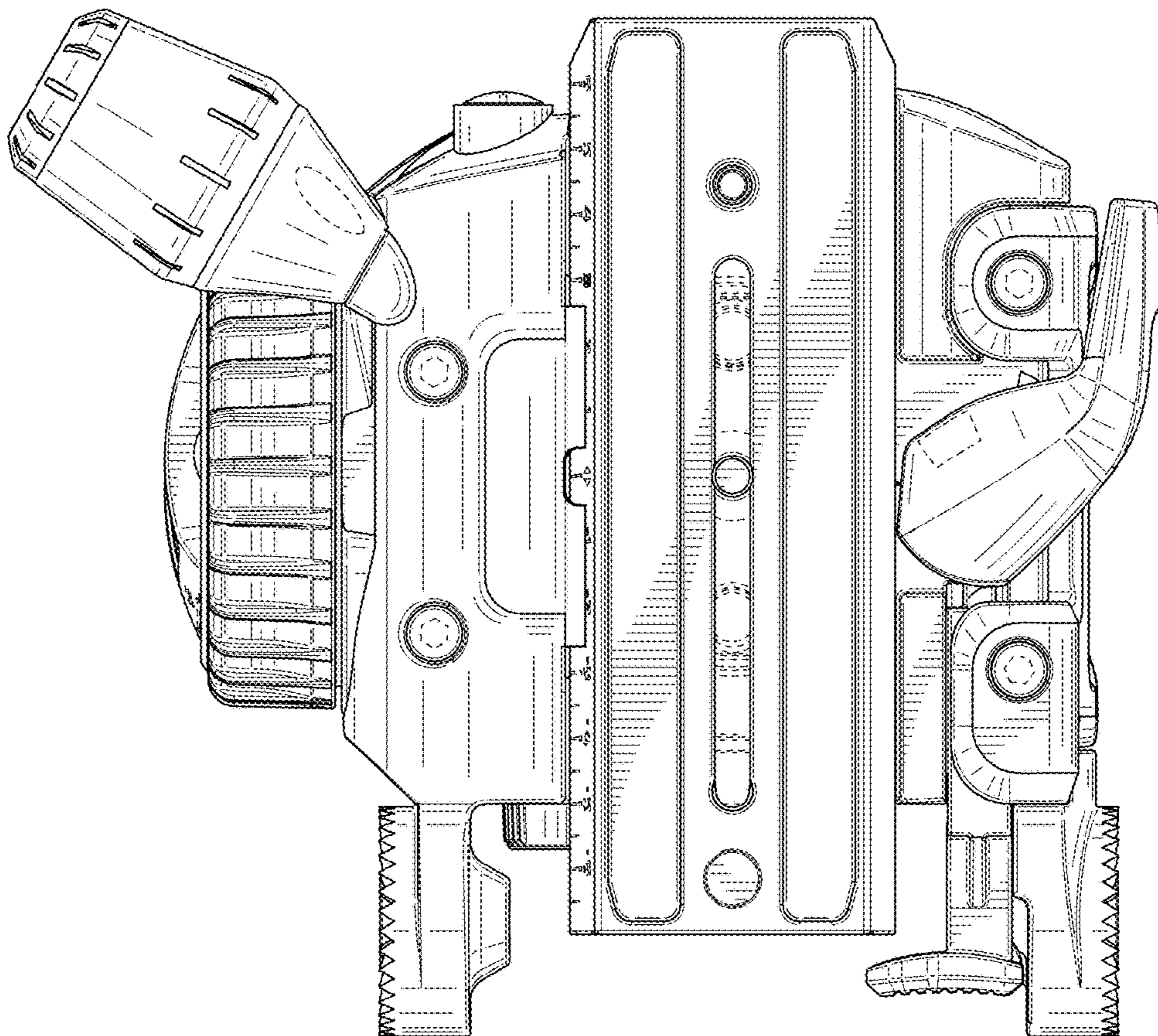


FIG. 7