



US00D864279S

(12) **United States Design Patent**
Wang

(10) **Patent No.:** **US D864,279 S**

(45) **Date of Patent:** **** Oct. 22, 2019**

(54) **WEBCAM COVER**

(71) Applicant: **Hong Wang**, Shenzhen (CN)

(72) Inventor: **Hong Wang**, Shenzhen (CN)

(**) Term: **15 Years**

(21) Appl. No.: **29/644,957**

(22) Filed: **Apr. 23, 2018**

(51) **LOC (12) Cl.** **16-05**

(52) **U.S. Cl.**

USPC **D16/237**; D14/250; D14/440

(58) **Field of Classification Search**

USPC D16/200-220, 131, 237, 242, 239, 250,
D16/235, 130, 134, 136, 238;
D14/138 C, 240, 248, 203.1, 203.3, 203.7,
D14/218, 207; D10/104.1, 50, 65, 74,
D10/70, 118.2; D26/28, 29, 34, 51, 52,
D26/60, 61, 722; D3/260; D30/109,
D30/104, 106, 107; D22/136

CPC . G02B 7/02; G02B 7/021; G02B 7/04; G02B
7/14; G02B 7/003; G03B 17/00; G03B
17/02; G03B 17/56; G03B 17/04; G03B
17/14; G03B 17/08; G03B 15/03; G03B
15/06; H04N 5/2251; H04N 5/2252;
H04N 5/2253; H04N 5/2254; H04N 7/00;
H04N 2101/00; F16M 13/00

See application file for complete search history.

(56) **References Cited**

U.S. PATENT DOCUMENTS

D162,507 S *	3/1951	Arenberg et al.	D26/34
D294,302 S *	2/1988	Littrell	D26/28
D462,080 S *	8/2002	Suzuki	D16/219
D473,249 S *	4/2003	Horikiri	D16/202
D495,352 S *	8/2004	Sakaguchi	D16/202
D500,333 S *	12/2004	Hong	D16/202
D503,182 S *	3/2005	Ogura	D16/202
D507,009 S *	7/2005	Kondo	D16/237

D508,065 S *	8/2005	Dow	D16/202
D552,143 S *	10/2007	Kojima	D16/202
D555,690 S *	11/2007	Choi	D16/202
D556,196 S *	11/2007	Cheng	D14/480.3
D632,717 S *	2/2011	Maerzhaeuser	D16/131
D669,112 S *	10/2012	Gustaveson	D16/208
D678,381 S *	3/2013	Fujita	D16/219
D708,657 S *	7/2014	Gustaveson	D16/250
D741,939 S *	10/2015	Chang	D14/250
D759,644 S *	6/2016	Penn	D14/250
D764,474 S *	8/2016	Penn	D14/440
D764,475 S *	8/2016	Penn	D14/440
D782,562 S *	3/2017	Gustaveson, II	D16/237
D793,465 S *	8/2017	Kong	D14/439
D794,108 S *	8/2017	Ham	D16/219
D803,922 S *	11/2017	Chang	D16/203
D807,947 S *	1/2018	Gustaveson, II	D16/237
D808,457 S *	1/2018	Gustaveson, II	D16/237

(Continued)

FOREIGN PATENT DOCUMENTS

CN	304826282	*	9/2018
CN	304975064	*	1/2019
CN	304975065	*	1/2019

Primary Examiner — Manpreet S Matharu

Assistant Examiner — Mary Claire Ramirez

(57) **CLAIM**

The ornamental design for a webcam cover, as shown and described.

DESCRIPTION

FIG. 1 is a front elevational view of a webcam cover showing my new design;

FIG. 2 is a rear elevational view thereof;

FIG. 3 is a left side elevational view thereof;

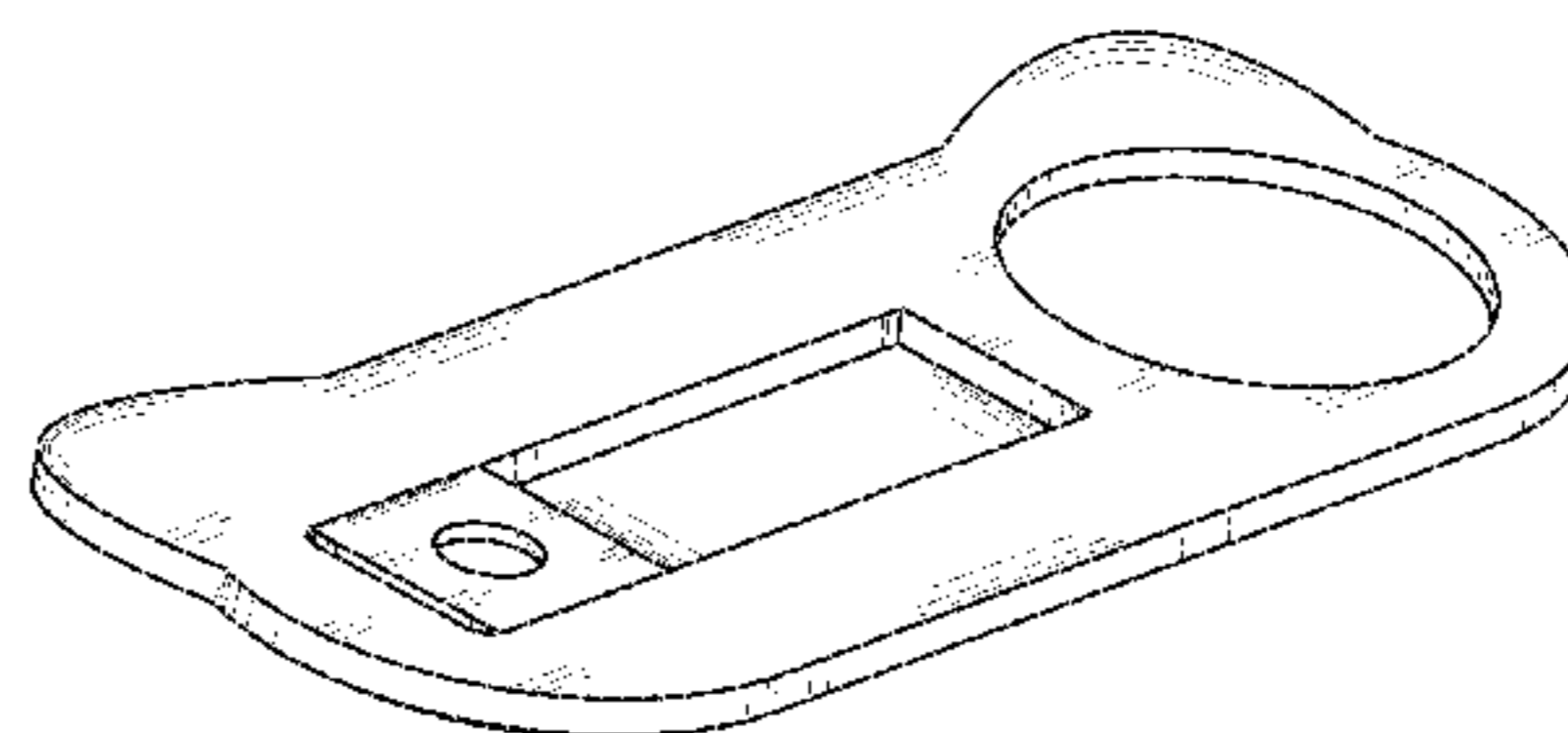
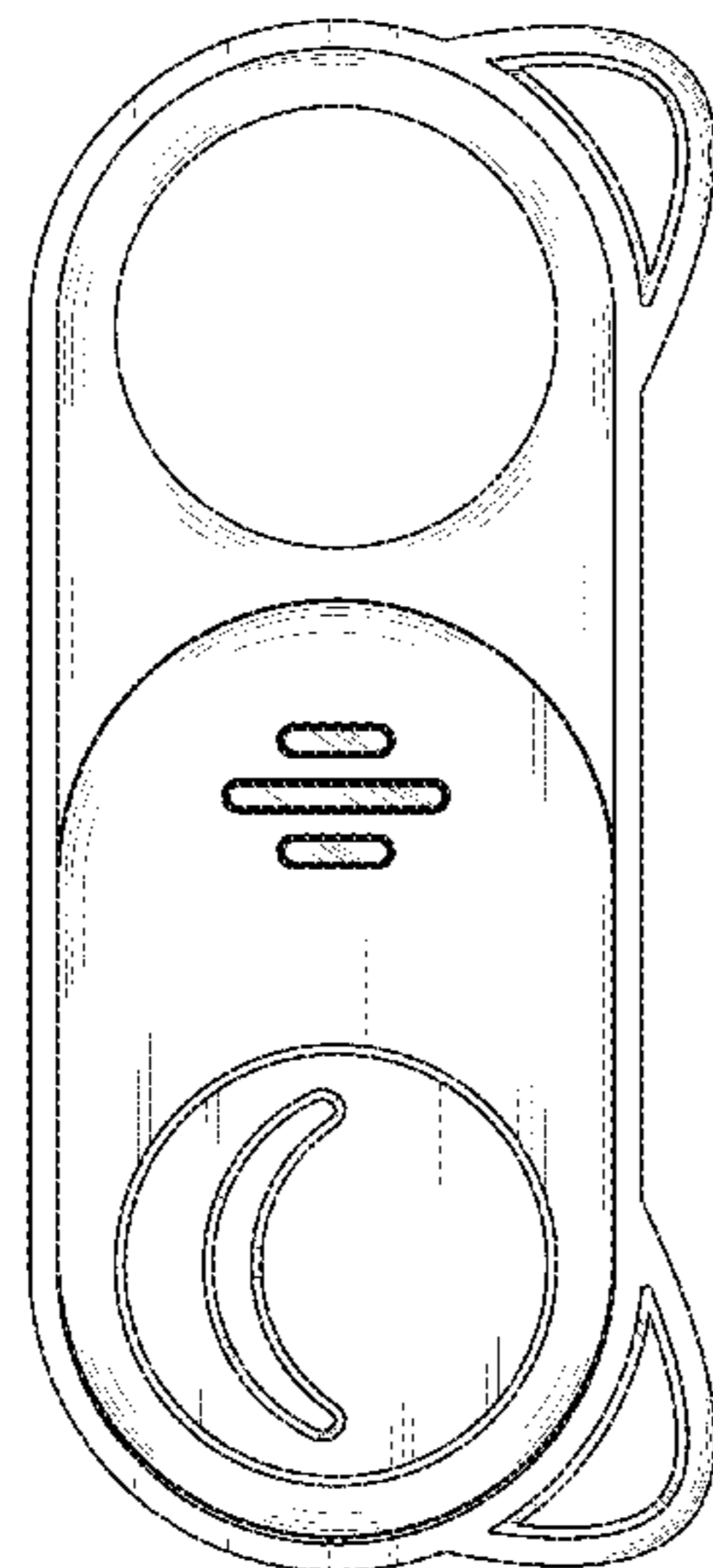
FIG. 4 is a right side elevational view thereof;

FIG. 5 is a top plan view thereof;

FIG. 6 is a bottom plan view thereof; and,

FIG. 7 is a perspective view thereof.

1 Claim, 5 Drawing Sheets



(56)

References Cited

U.S. PATENT DOCUMENTS

D810,180 S * 2/2018 Gustaveson, II D16/237
D816,149 S * 4/2018 Dalton D16/237
D836,154 S * 12/2018 Gustaveson, II D16/237
D837,279 S * 1/2019 Penn D16/237
D839,946 S * 2/2019 De Vries D16/237
D849,123 S * 5/2019 Gustaveson, II D16/237
2017/0329111 A1 * 11/2017 Hu H02K 41/0356
2017/0329206 A1 * 11/2017 Gustaveson, II G03B 11/048

* cited by examiner

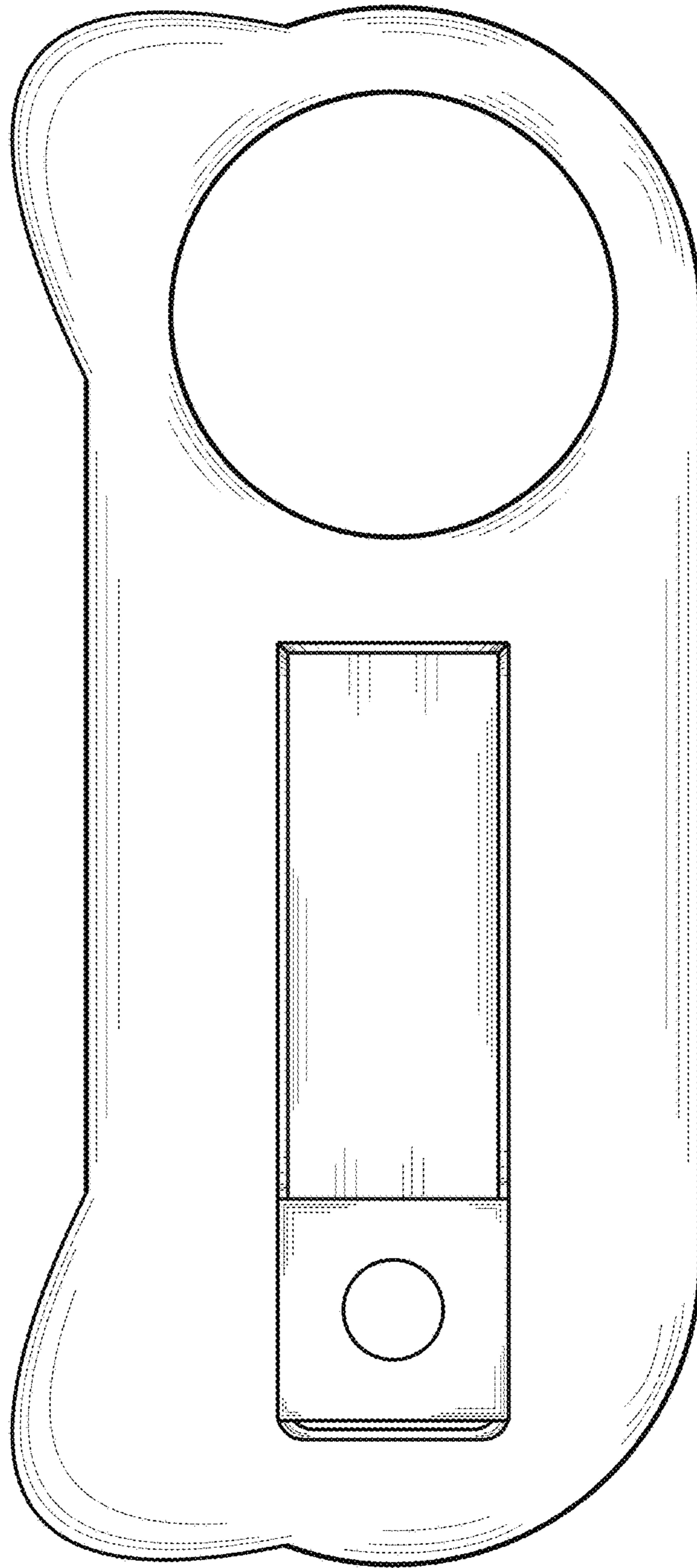


FIG.1

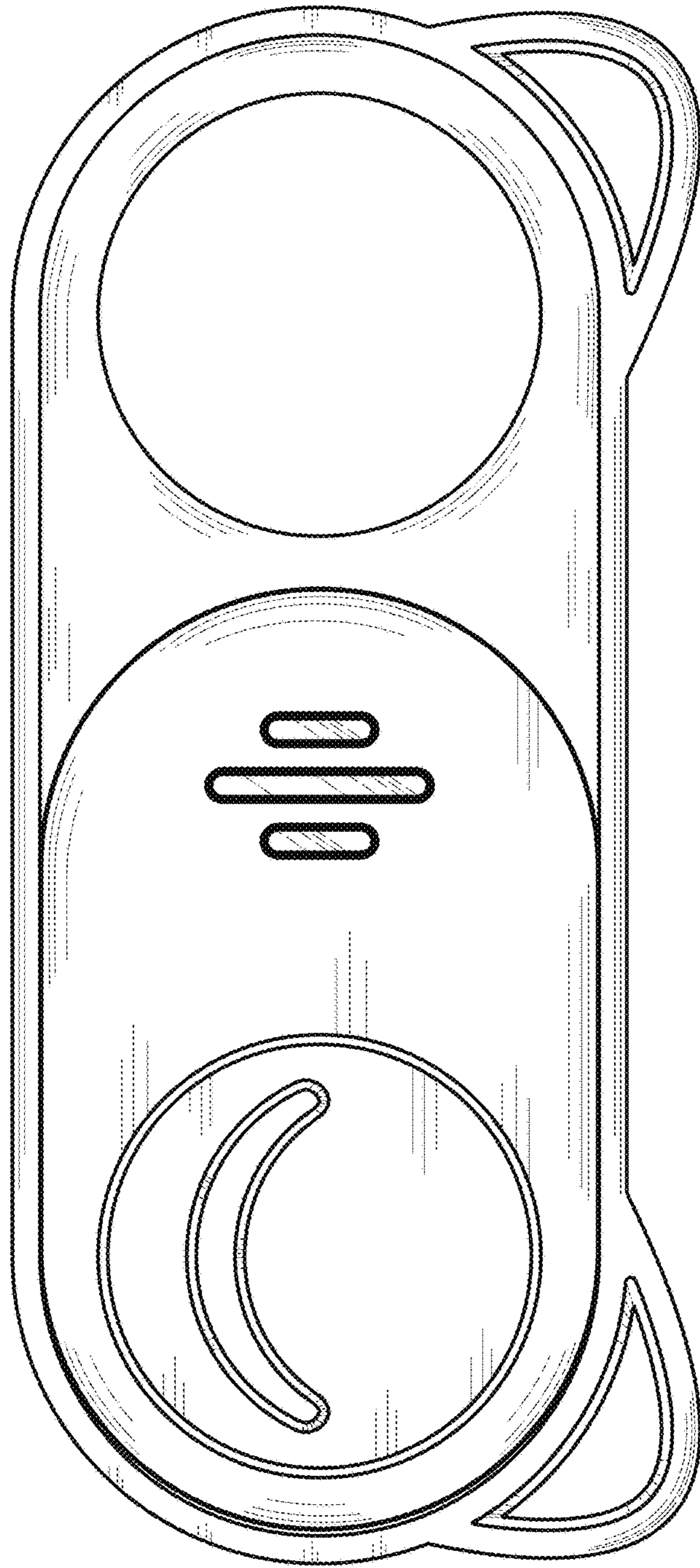


FIG.2

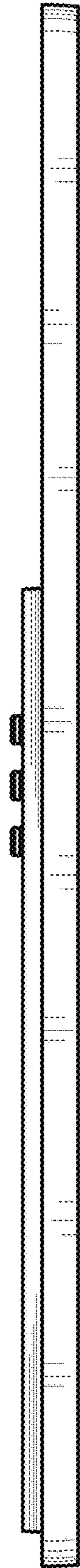


FIG.3



FIG.4



FIG.5

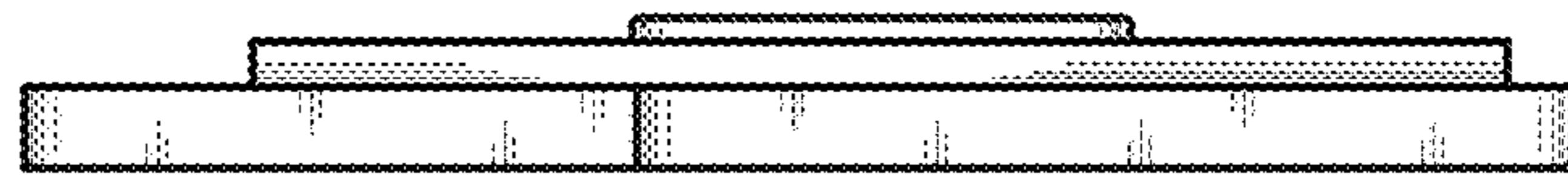


FIG.6

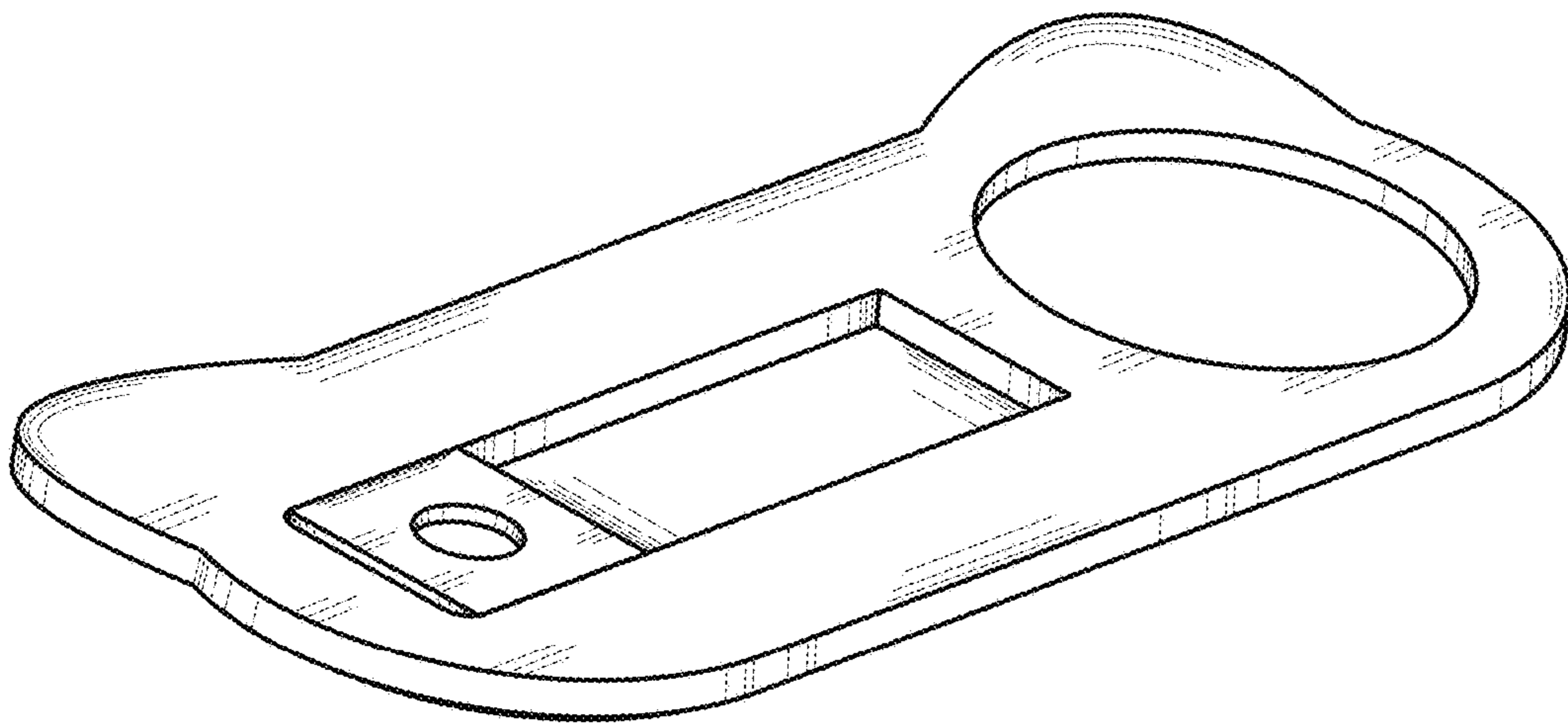


FIG.7