



US00D864276S

(12) **United States Design Patent** (10) **Patent No.:** **US D864,276 S**
Hathway et al. (45) **Date of Patent:** **** Oct. 22, 2019**

- (54) **BABY MONITOR CAMERA**
- (71) Applicant: **Netgear, Inc.**, San Jose, CA (US)
- (72) Inventors: **James Hathway**, Delta (CA); **John Kui Yin Ramones**, San Ramon, CA (US); **Jim Blyth**, Farnham (GB); **Louise Bradley**, Basingstoke (GB); **Matt Plested**, Churt (GB)
- (73) Assignee: **Arlo Technologies, Inc.**, Carlsbad, CA (US)
- (**) Term: **15 Years**
- (21) Appl. No.: **29/634,534**
- (22) Filed: **Jan. 23, 2018**

Related U.S. Application Data

- (63) Continuation of application No. 29/577,078, filed on Sep. 9, 2016, now Pat. No. Des. 822,744.
- (51) **LOC (12) Cl.** **16-01**
- (52) **U.S. Cl.**
USPC **D16/203**
- (58) **Field of Classification Search**
USPC D16/200–220, 229, 230, 242, 244, 245, D16/238, 225; D14/496, 203.1, 203.3, D14/203.7, 240, 356, 358; D28/41; D1/109, 107, 106; D2/868, 869, 883, D2/884, 894, 895, 873; D29/122; D12/400; D11/158, 224, 181, 239, 31, D11/49, 82, 100, 128, 157; D21/617, D21/618, 611, 620, 652, 654, 656, 655
CPC H04N 7/181; H04N 7/183; H04N 7/18; H04N 3/08; H04N 5/23248; H04N 5/23287; H04N 5/23258; H04N 5/2251; H04N 5/2252; H04N 2007/145; H04N 7/00; G01C 11/025; G02B 5/00; G03B 15/00; G03B 15/03; G03B 17/56; G03B 17/02; G03B 17/30; G03B 17/04; G03B 17/00; G03B 19/04; G03B 3/00; B60R 1/00; B60R

(Continued)

- (56) **References Cited**
U.S. PATENT DOCUMENTS
D123,440 S * 11/1940 Vivaudou et al. D11/158
D154,830 S * 8/1949 Allen et al. D21/654
(Continued)

FOREIGN PATENT DOCUMENTS

- CN 303728245 * 6/2016

OTHER PUBLICATIONS

Baby Monitor, announced Jan. 4, 2017 [online], [Site visited Aug. 16, 2017] Available from Internet, URL: <<https://www.arlo.com/en-us/products/arlo-baby/default.aspx>>.*
(Continued)

Primary Examiner — Barbara Fox
Assistant Examiner — Mary Claire Ramirez
(74) *Attorney, Agent, or Firm* — Boyle Fredrickson, S.C.

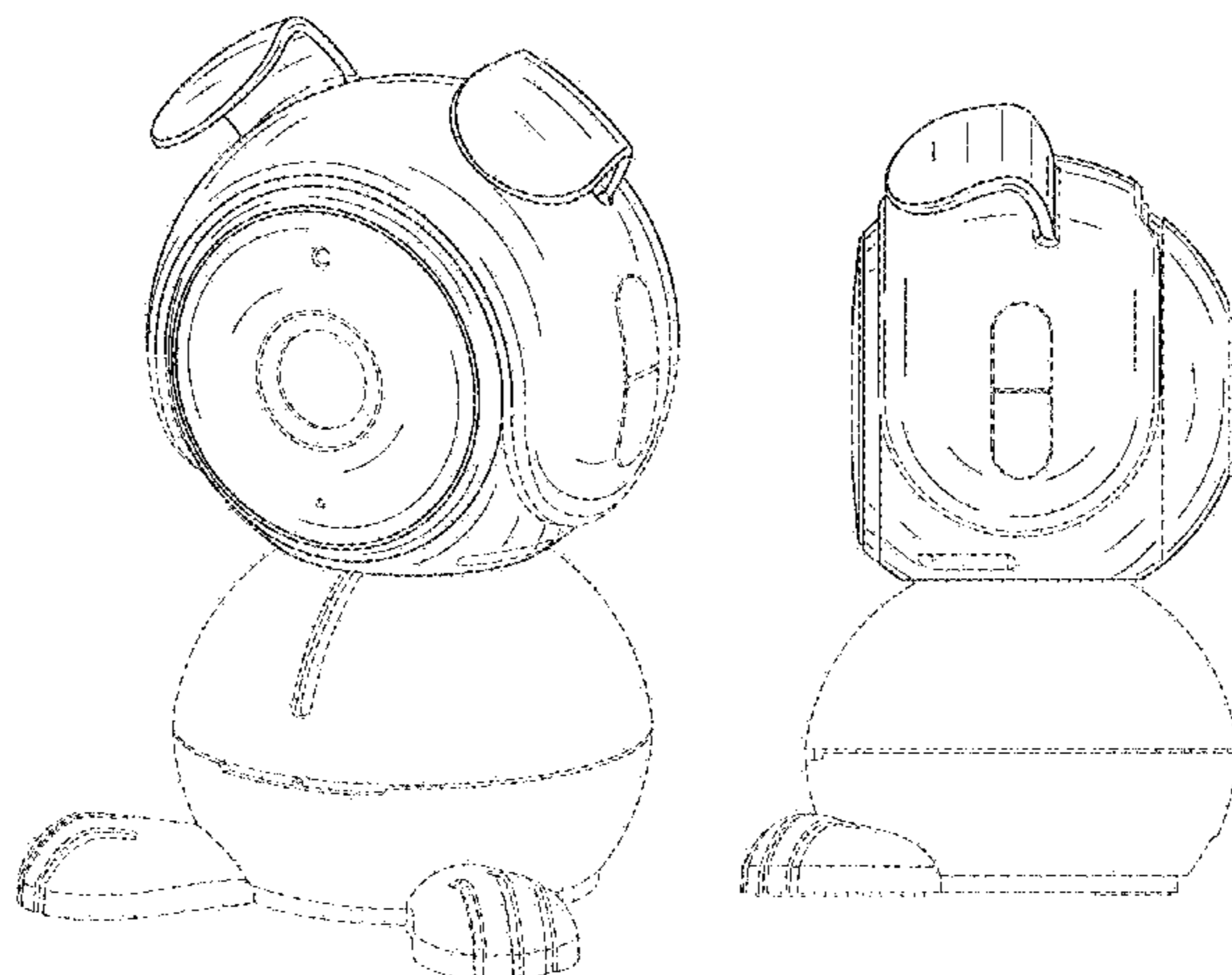
(57) **CLAIM**

The ornamental design for a baby monitor camera, as shown and described.

DESCRIPTION

FIG. 1 is a top, front, right isometric view of a baby monitor camera showing our new design;
FIG. 2 is a top, rear, right isometric view thereof;
FIG. 3 is a front elevation view thereof;
FIG. 4 is a rear elevation view thereof;
FIG. 5 is right side elevation view thereof;
FIG. 6 is a left side elevation view thereof;
FIG. 7 is a top plan view thereof; and,
FIG. 8 is a bottom plan view thereof.
The broken lines shown in the drawings depict portions of the baby monitor camera that form no part of the claimed design.

1 Claim, 6 Drawing Sheets



(58) **Field of Classification Search**
 CPC ... 2300/105; G08B 13/19619; G08B 13/1963;
 G08B 13/19632; G08B 13/19621; F16M
 11/04; F16M 13/00; Y02E 60/12
 See application file for complete search history.

(56) **References Cited**

U.S. PATENT DOCUMENTS

D155,071	S	*	9/1949	Borrok	D11/158
D303,035	S	*	8/1989	O'Dunlaing	D99/40
D433,432	S	*	11/2000	Prather	D16/202
D484,427	S	*	12/2003	Ng	D14/159
D513,614	S	*	1/2006	Tsao	D14/371
D552,144	S	*	10/2007	Logan	D16/202
D596,457	S	*	7/2009	Claps	D7/401.2
D628,223	S	*	11/2010	Kao	D16/202
D637,173	S	*	5/2011	Elkerbout	D14/159
D648,766	S	*	11/2011	Chen	D16/202
D676,018	S	*	2/2013	Breines	D14/189
D678,929	S	*	3/2013	Hancock	D16/202
D699,237	S	*	2/2014	Yueh	D14/250
D705,075	S	*	5/2014	Zwettler	D21/576
D716,753	S	*	11/2014	Deng	D14/159
D731,579	S	*	6/2015	Bart	D16/203
D741,931	S	*	10/2015	Huang	D16/202
D751,619	S	*	3/2016	Jeong	D16/203
D753,204	S	*	4/2016	Luo	D16/202
D759,767	S	*	6/2016	Majure Maysan	D21/611
D774,710	S	*	12/2016	Stiles	D30/160
D793,105	S	*	8/2017	George, II	D6/351
D809,040	S	*	1/2018	Webb, II	D15/199
D810,165	S	*	2/2018	Webb	D15/199
D810,169	S	*	2/2018	Bhattacharya	D16/203
D810,804	S	*	2/2018	Borel	D16/203

D813,290	S	*	3/2018	Song	D16/203
D813,926	S	*	3/2018	Shin	D16/203
D816,756	S	*	5/2018	Chang	D16/210
D819,110	S	*	5/2018	Chang	D16/210
D819,112	S	*	5/2018	Kim	D16/218
D819,718	S	*	6/2018	Wu	D16/218
D820,125	S	*	6/2018	Chen	D10/70
D820,337	S	*	6/2018	Li	D16/203
D822,742	S	*	7/2018	Hathway	D16/203
D822,743	S	*	7/2018	Hathway	D16/203
D822,744	S	*	7/2018	Hathway	D16/203
D830,443	S	*	10/2018	Borel	D16/203
D832,907	S	*	11/2018	Jeong	D16/203
D833,503	S	*	11/2018	Hollinger	D16/203
D833,507	S	*	11/2018	Xie	D16/218
D835,693	S	*	12/2018	Lee	D15/199
D836,151	S	*	12/2018	Chang	D16/210
D836,569	S	*	12/2018	Kim	D13/168
D836,698	S	*	12/2018	Hathway	D16/203
D841,720	S	*	2/2019	Ramones	D16/237
D842,915	S	*	3/2019	Hathway	D16/203
D842,916	S	*	3/2019	Hathway	D16/203
D843,790	S	*	3/2019	Kang	D7/613
10,267,454	B1	*	4/2019	Ortiz	F16M 13/022
D849,094	S	*	5/2019	Gan	D16/203
2017/0195533	A1	*	7/2017	Seo	H04N 5/23238

OTHER PUBLICATIONS

Arlo Baby, announced 2017 [online], [Site visited Aug. 16, 2017]
 Available from Internet, URL: <<https://www.theverge.com/2017/1/4/14123920/netgear-arlo-baby-monitor-camera-announced>>.*
 U.S. Appl. No. 29/577,075, filed Sep. 9, 2016.
 U.S. Appl. No. 29/577,073, filed Sep. 9, 2016.

* cited by examiner

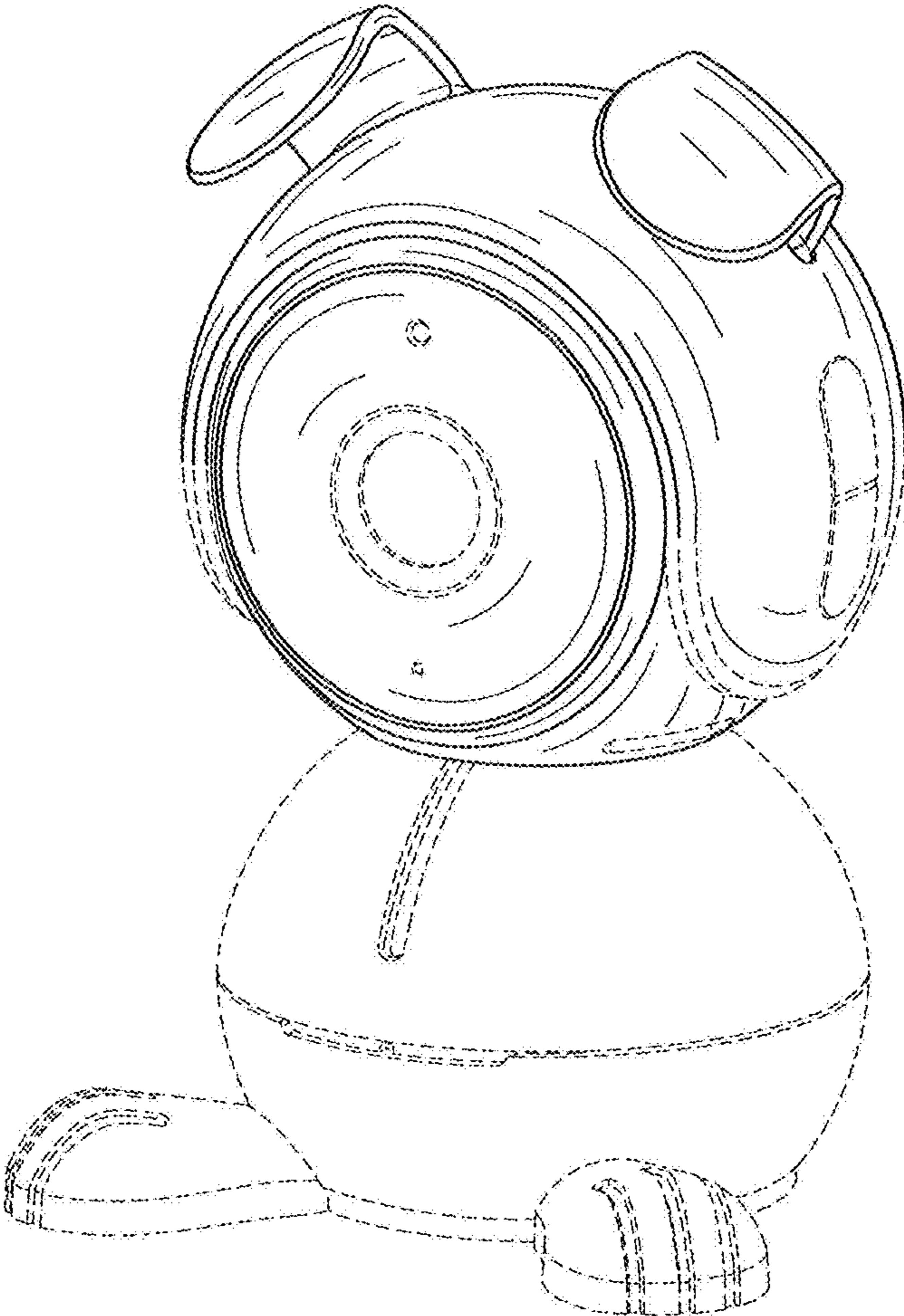


FIG. 1

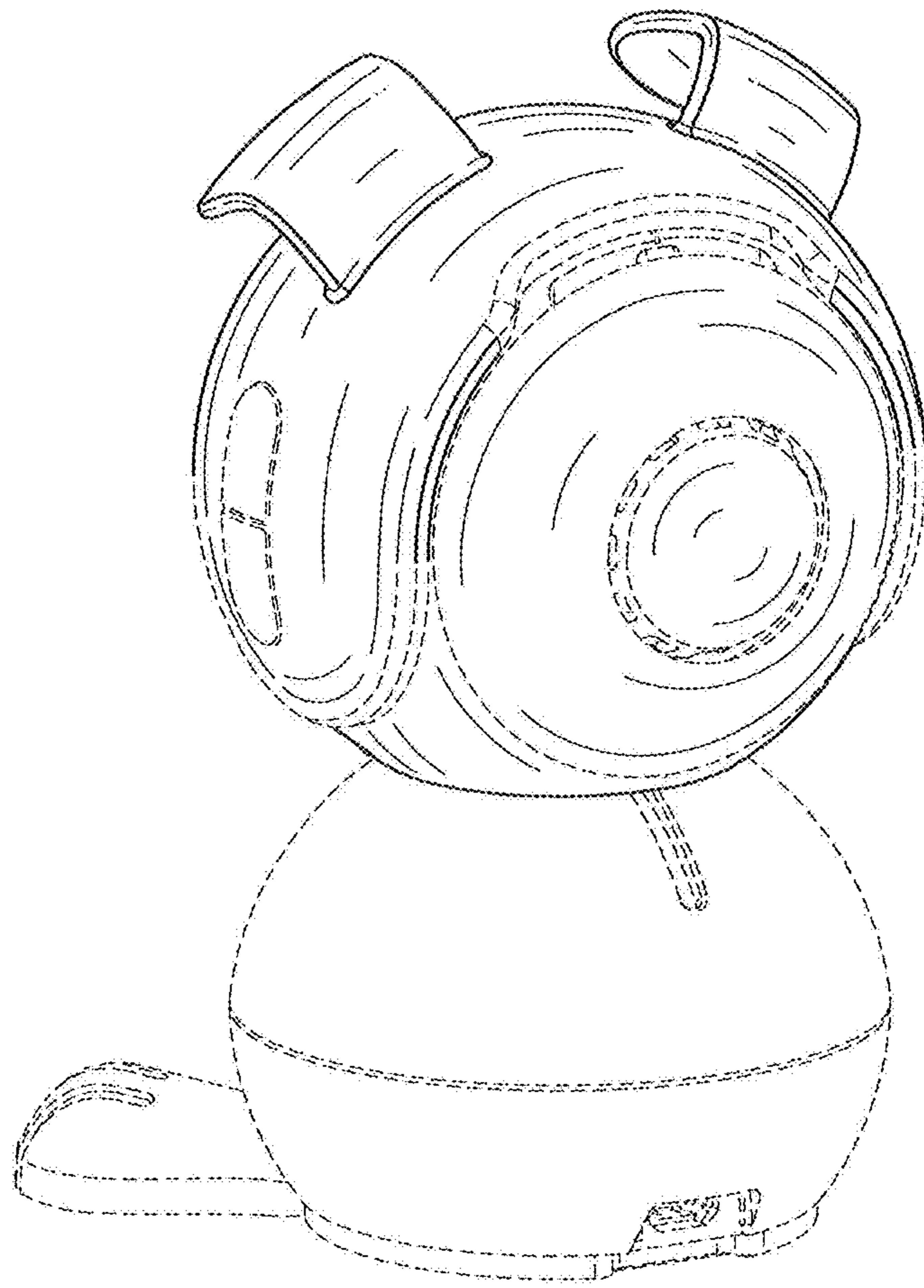


FIG. 2

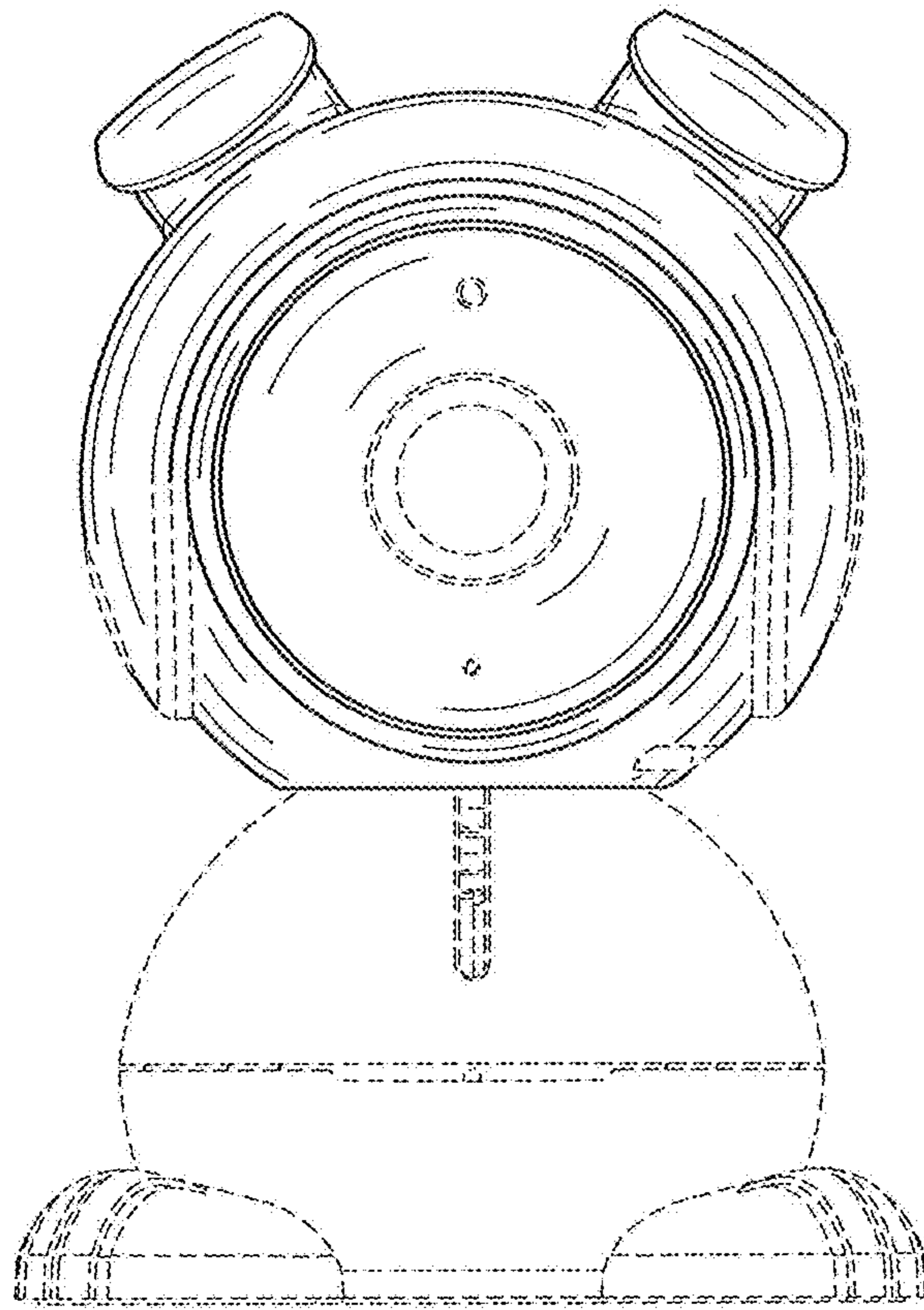


FIG. 3

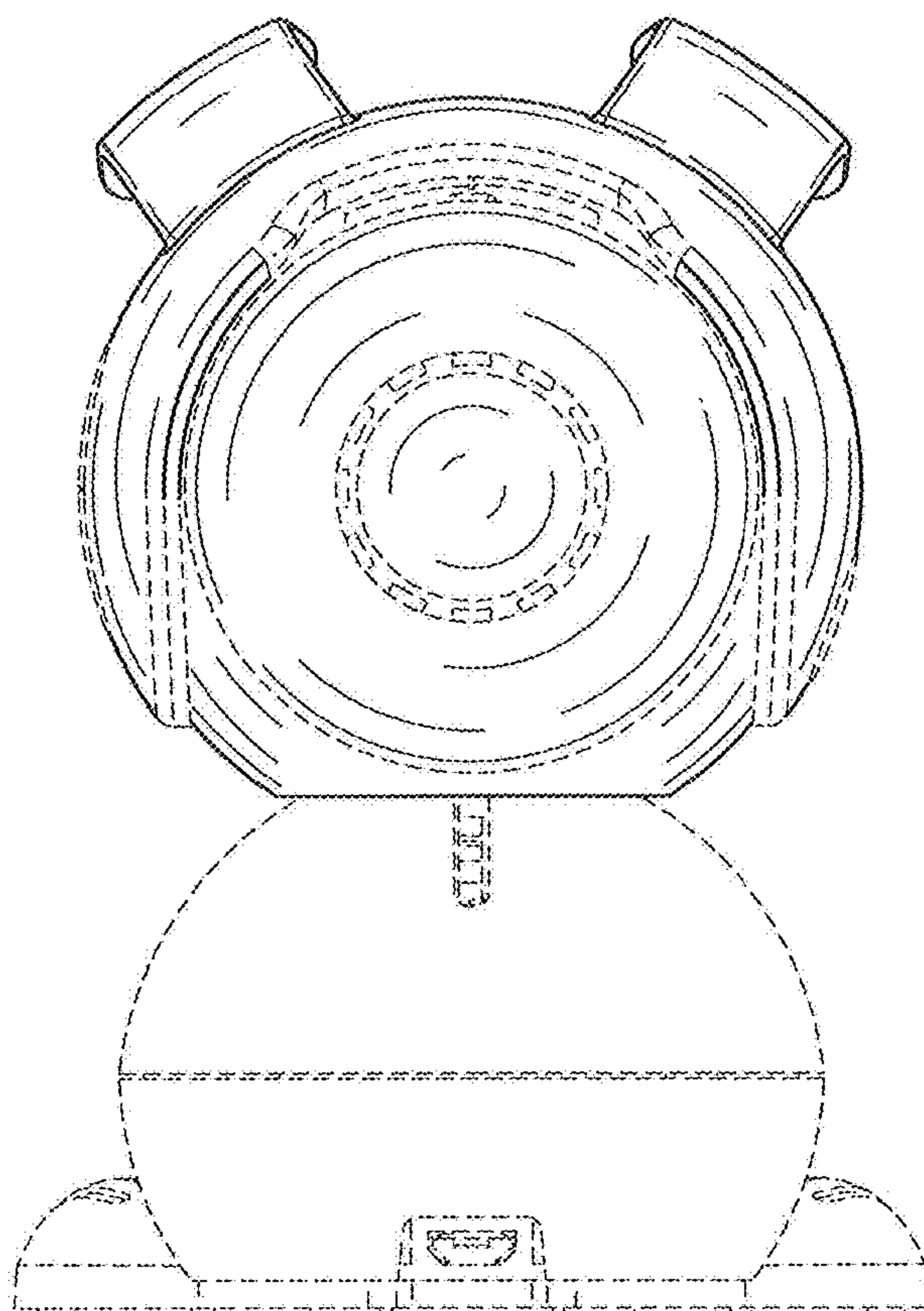


FIG. 4

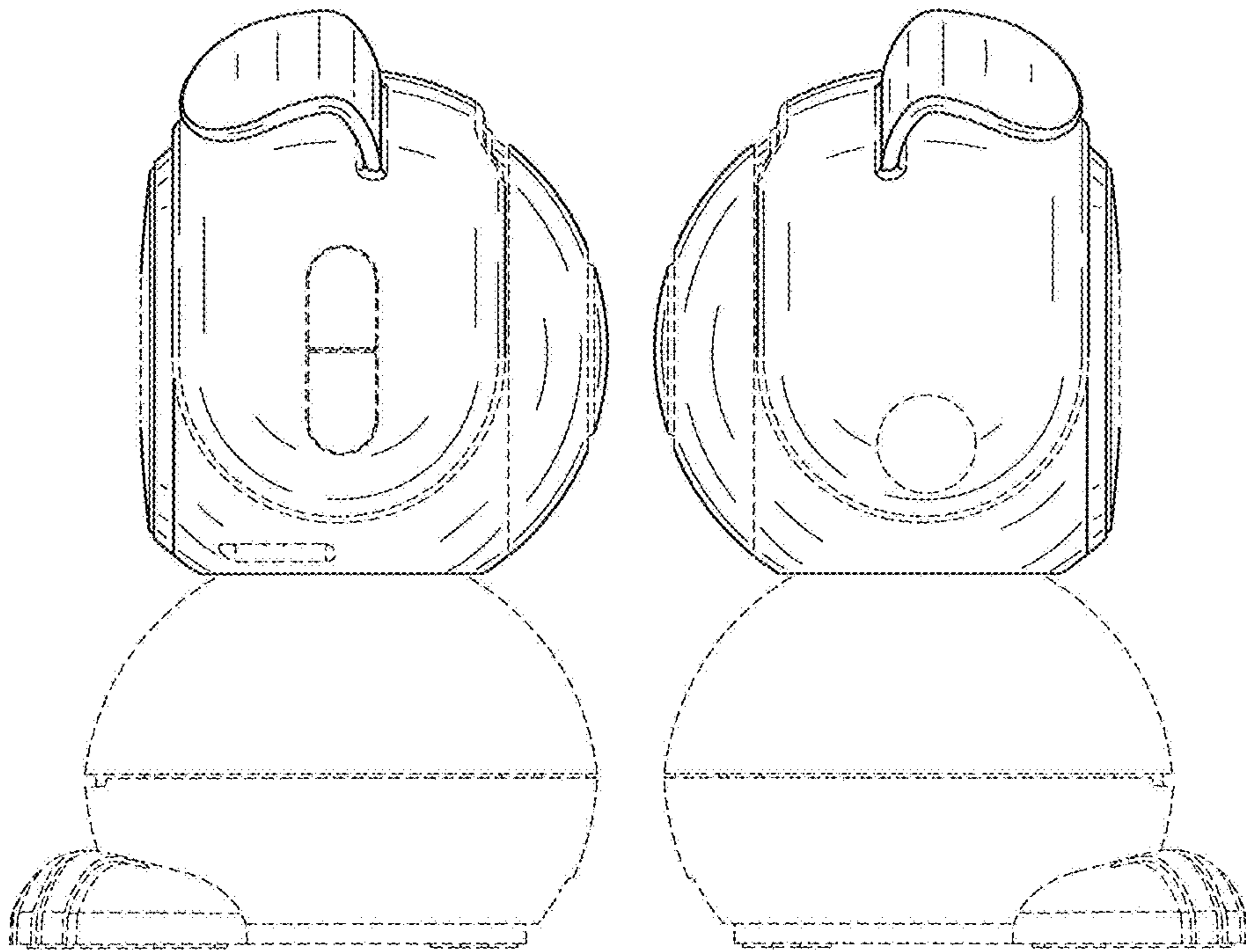


FIG. 5

FIG. 6

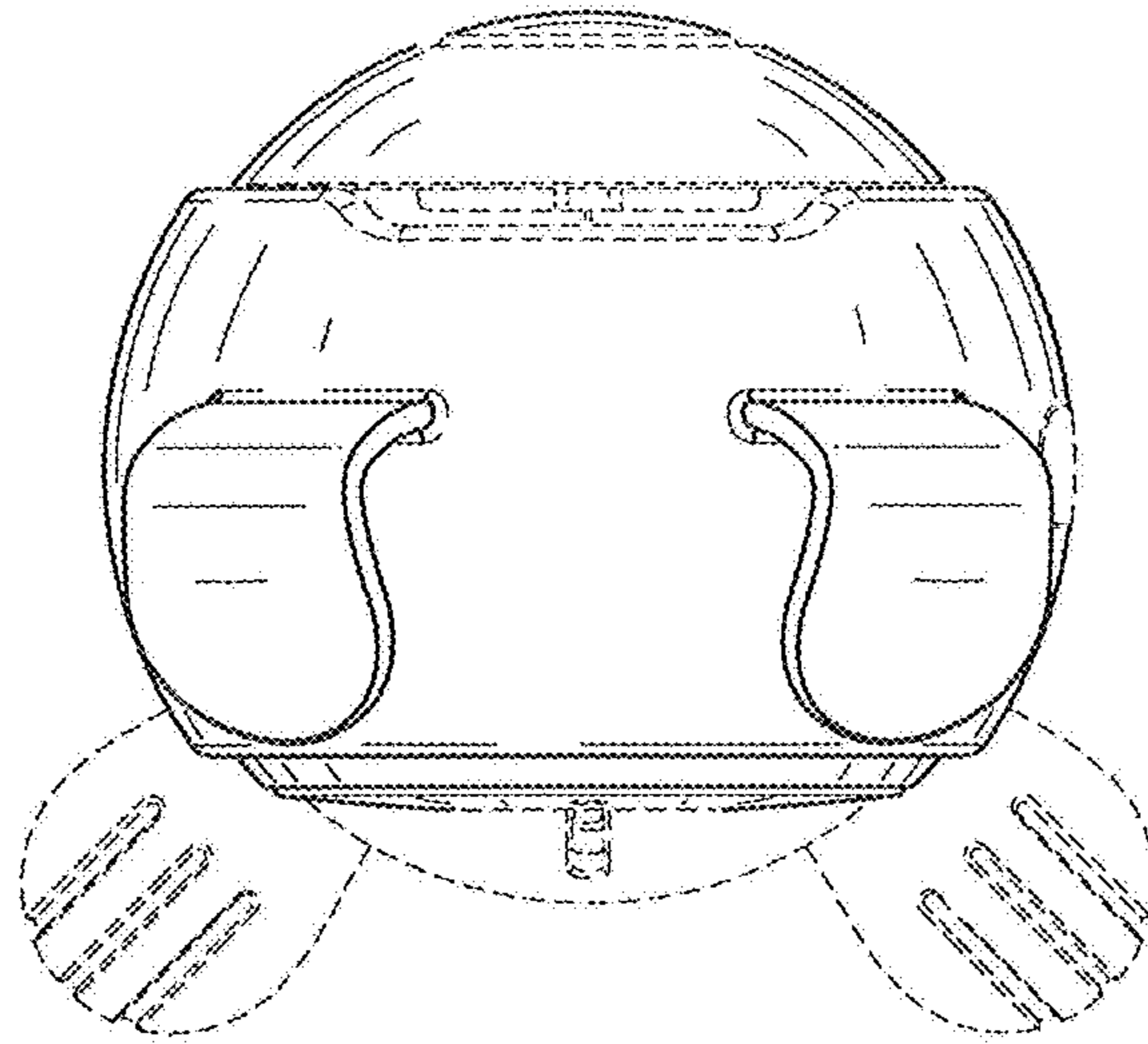


FIG. 7

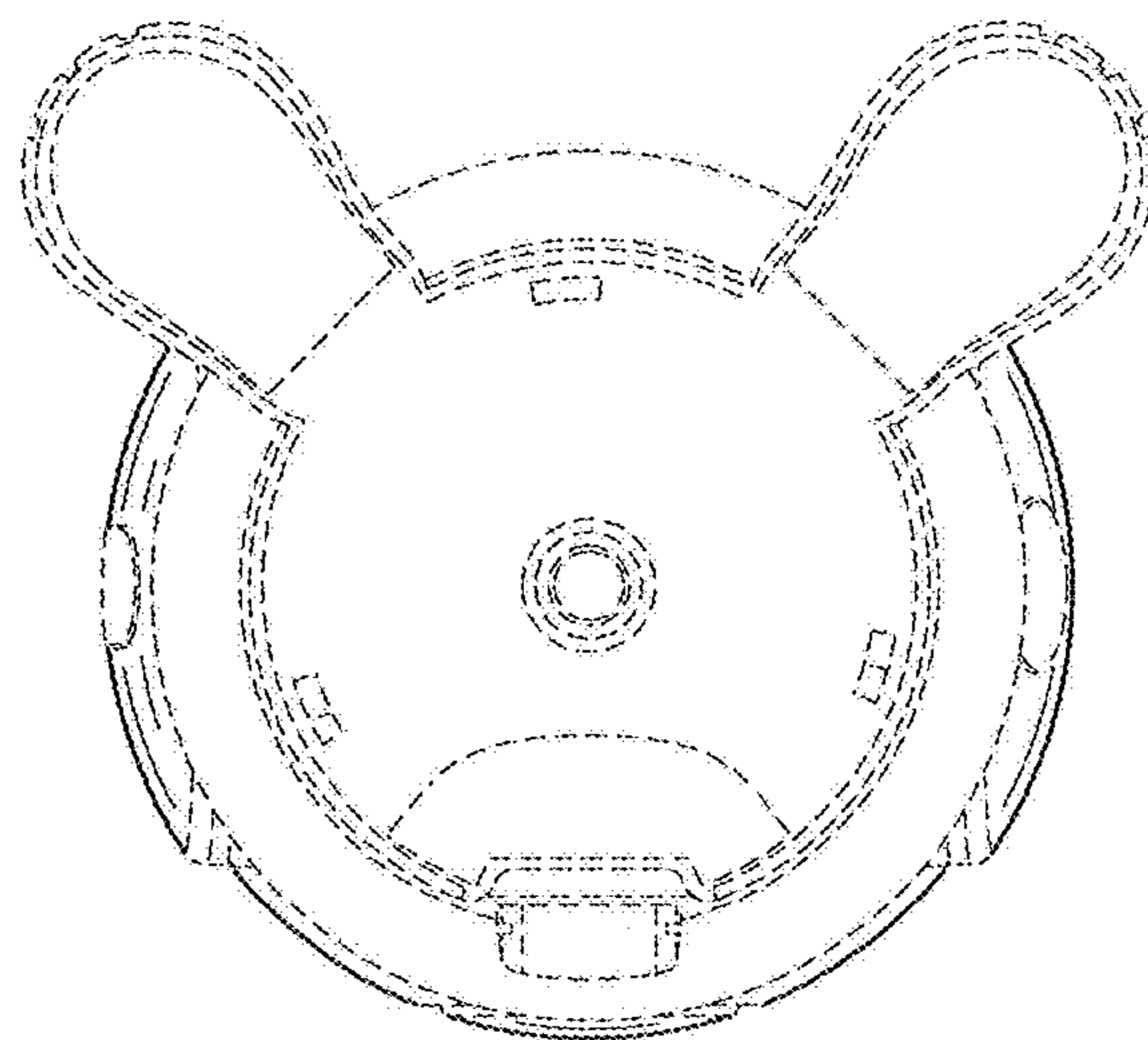


FIG. 8