

US00D864275S

(12) **United States Design Patent**  
**Huang**

(10) **Patent No.:** **US D864,275 S**

(45) **Date of Patent:** **\*\* Oct. 22, 2019**

(54) **CAMERA**

(71) Applicant: **VIA TECHNOLOGIES, INC.**, New Taipei (TW)

(72) Inventor: **Chih-Wei Huang**, New Taipei (TW)

(73) Assignee: **VIA TECHNOLOGIES, INC.**, New Taipei (TW)

(\*\*) Term: **15 Years**

(21) Appl. No.: **29/639,484**

(22) Filed: **Mar. 6, 2018**

(30) **Foreign Application Priority Data**

Dec. 15, 2017 (CN) ..... 2017 3 0641069

(51) **LOC (12) Cl.** ..... **16-01**

(52) **U.S. Cl.**

USPC ..... **D16/202**; D16/218; D16/207

(58) **Field of Classification Search**

USPC ..... D16/200–220, 131, 237, 242, 239, 250,  
D16/235, 130, 134, 136, 238;

D14/138 C, 240, 248, 203.1, 203.3, 203.7,  
D14/218, 207; D10/104.1, 50, 65, 74,

D10/70, 118.2; D26/28, 29, 34, 51, 52,  
D26/60, 61, 722; D3/260; D30/109,

D30/104, 106, 107; D22/136

CPC . G02B 7/02; G02B 7/021; G02B 7/04; G02B  
7/14; G02B 7/003; G03B 17/00; G03B

17/02; G03B 17/56; G03B 17/04; G03B  
17/14; G03B 17/08; G03B 15/03; G03B

15/06; H04N 5/2251; H04N 5/2252;

H04N 5/2253; H04N 5/2254; H04N 7/00;  
H04N 2101/00; F16M 13/00

See application file for complete search history.

(56) **References Cited**

**U.S. PATENT DOCUMENTS**

D324,106 S \* 2/1992 Greenblatt ..... D24/200  
D395,715 S \* 6/1998 Queen ..... D26/24

D437,681 S \* 2/2001 Weinstock ..... D3/215  
D465,733 S \* 11/2002 Hill ..... D9/519  
D535,765 S \* 1/2007 Lee ..... D26/28  
D557,258 S \* 12/2007 Steindl ..... D14/216  
D572,535 S \* 7/2008 El-Ghouyel ..... D7/500  
D592,064 S \* 5/2009 Kilany ..... D9/519  
D615,878 S \* 5/2010 Berliat ..... D10/22

(Continued)

**FOREIGN PATENT DOCUMENTS**

CN 303572909 \* 1/2016  
CN 304293449 \* 9/2017  
CN 304309311 \* 10/2017

**OTHER PUBLICATIONS**

ELE Explorer 720, published Nov. 29, 2017 [online], [retrieved Jul. 29, 2019], Available from Internet, URL <https://www.youtube.com/watch?v=osxX2gmMuYc&feature=youtu.be>.\*

*Primary Examiner* — Manpreet S Matharu

*Assistant Examiner* — Mary Claire Ramirez

(74) *Attorney, Agent, or Firm* — McClure, Qualey & Rodack, LLP

(57) **CLAIM**

The ornamental design for a camera, as shown and described.

**DESCRIPTION**

FIG. 1 is a perspective view of a camera in accordance with the new design;

FIG. 2 is a front view thereof;

FIG. 3 is a rear view thereof;

FIG. 4 is a left side view thereof;

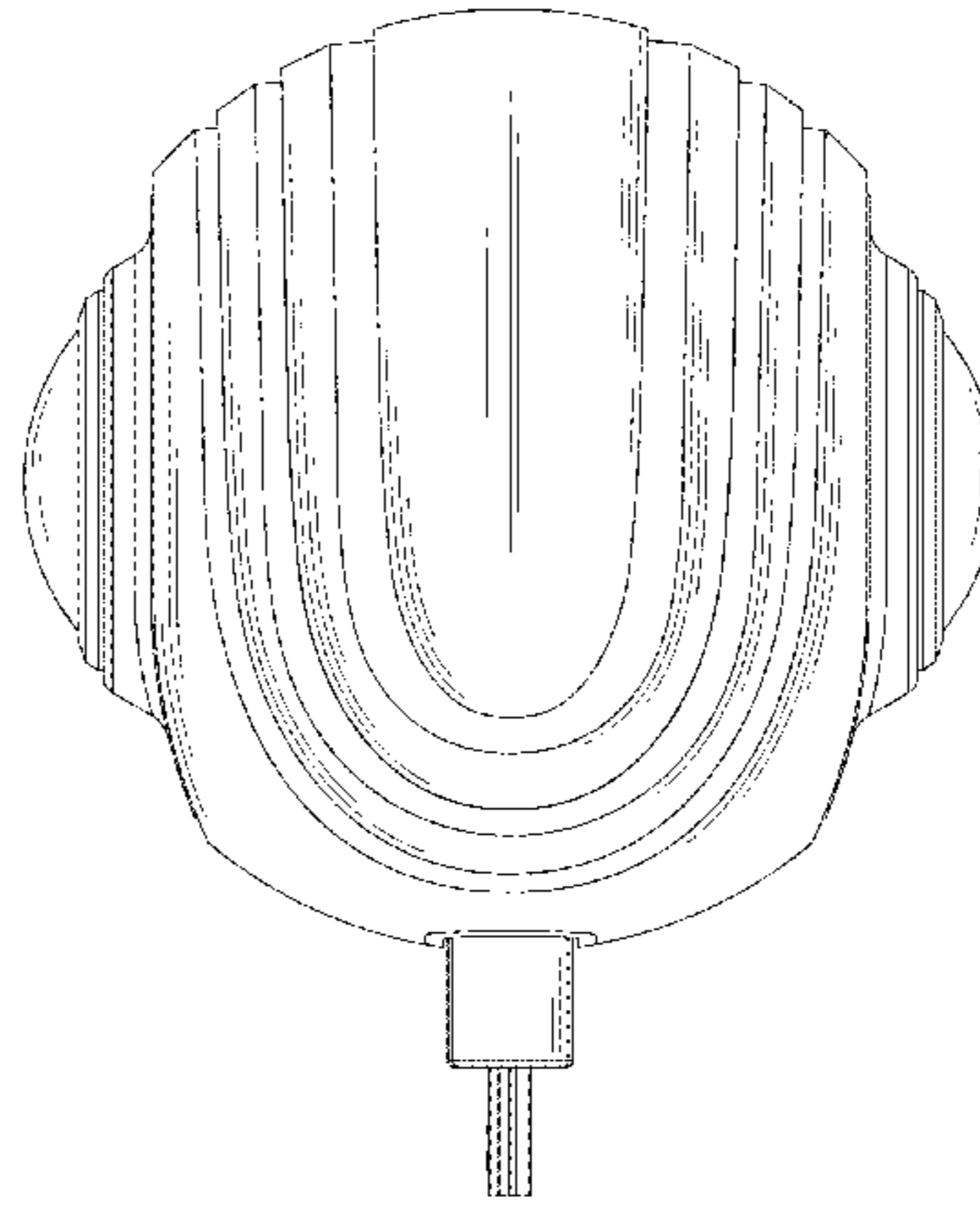
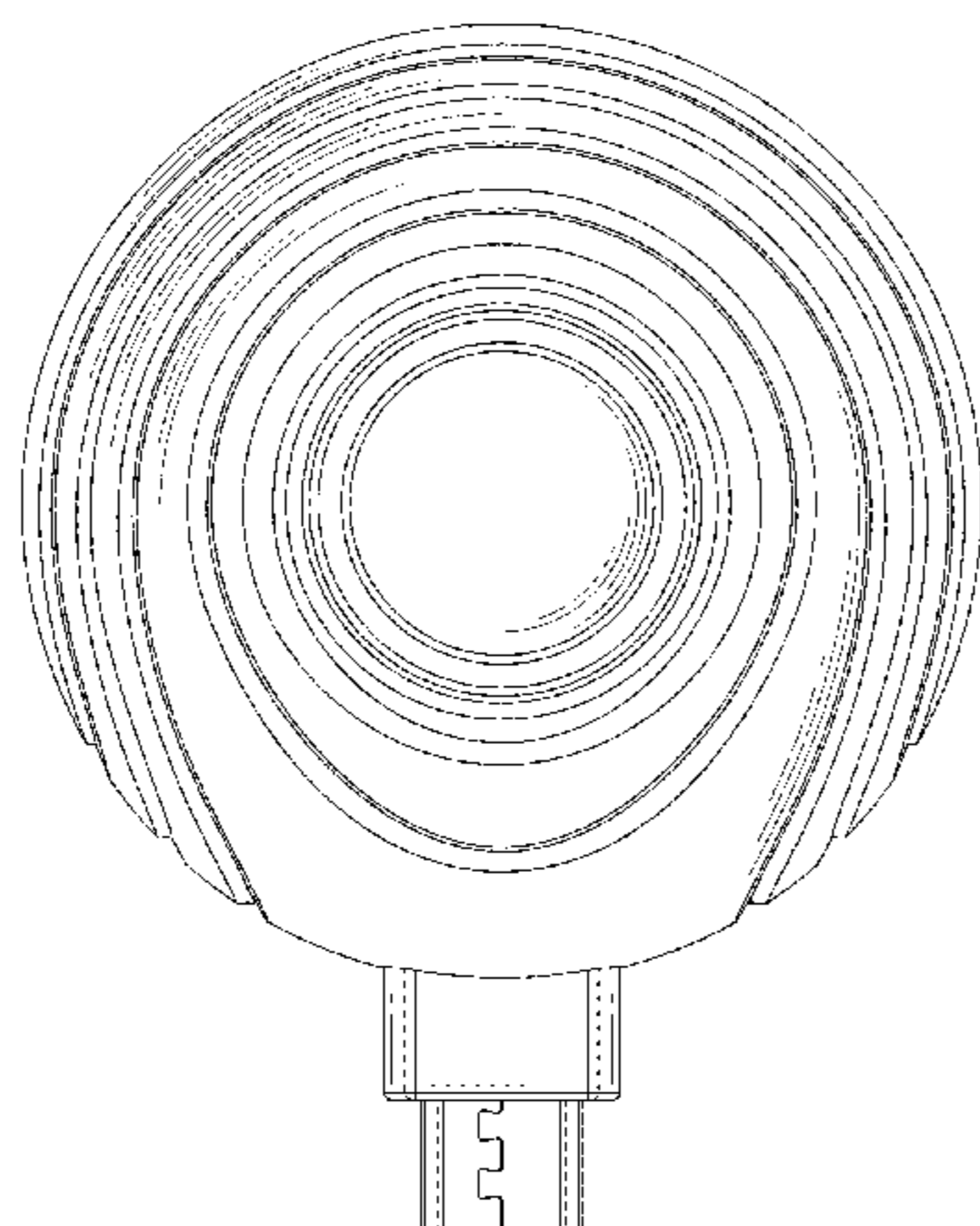
FIG. 5 is a right side view thereof;

FIG. 6 is a top plan view thereof;

FIG. 7 is a bottom plan view thereof; and,

FIG. 8 is another perspective view thereof.

**1 Claim, 8 Drawing Sheets**



(56)

References Cited

U.S. PATENT DOCUMENTS

7,724,302 B2 \* 5/2010 Yu ..... H04N 1/00519  
 348/373  
 D654,528 S \* 2/2012 Easley ..... D16/245  
 D659,305 S \* 5/2012 Song ..... D30/160  
 D663,731 S \* 7/2012 Pajic ..... D14/408  
 D677,981 S \* 3/2013 Levin ..... D7/392  
 D690,344 S \* 9/2013 Hollinger ..... D16/200  
 D705,844 S \* 5/2014 Bart ..... D16/203  
 D731,579 S \* 6/2015 Bart ..... D16/203  
 D741,931 S \* 10/2015 Huang ..... D16/202  
 D742,955 S \* 11/2015 Kozko ..... D16/207  
 D749,661 S \* 2/2016 Yang ..... D16/203  
 D752,544 S \* 3/2016 Chen ..... D14/207  
 D752,546 S \* 3/2016 Chen ..... D14/207  
 D752,548 S \* 3/2016 Chen ..... D14/207  
 D756,326 S \* 5/2016 Holzer ..... D14/171  
 D792,496 S \* 7/2017 Meyer ..... D16/207  
 D801,303 S \* 10/2017 Holzer ..... D14/207  
 D810,804 S \* 2/2018 Borel ..... D16/203

D815,172 S \* 4/2018 Noh ..... D16/202  
 D815,677 S \* 4/2018 Gao ..... D16/218  
 D816,752 S \* 5/2018 Kim ..... D16/202  
 D816,756 S \* 5/2018 Chang ..... D16/210  
 D818,029 S \* 5/2018 Fujita ..... D16/218  
 D819,109 S \* 5/2018 Yamauchi ..... D16/204  
 D819,110 S \* 5/2018 Chang ..... D16/210  
 D819,112 S \* 5/2018 Kim ..... D16/218  
 D819,718 S \* 6/2018 Wu ..... D16/218  
 D827,698 S \* 9/2018 Zhang ..... D16/242  
 D832,326 S \* 10/2018 Lee ..... D15/199  
 D833,503 S \* 11/2018 Hollinger ..... D16/203  
 D834,634 S \* 11/2018 Huang ..... D16/210  
 D836,151 S \* 12/2018 Chang ..... D16/210  
 D849,960 S \* 5/2019 Saito ..... D24/211  
 2010/0066851 A1 \* 3/2010 Pooley ..... H04N 5/2252  
 348/222.1  
 2013/0258102 A1 \* 10/2013 Chen ..... G03B 17/02  
 348/143  
 2016/0127618 A1 \* 5/2016 Bart ..... H04N 5/2252  
 348/373  
 2018/0220548 A1 \* 8/2018 Onuchin ..... H04N 5/23238

\* cited by examiner

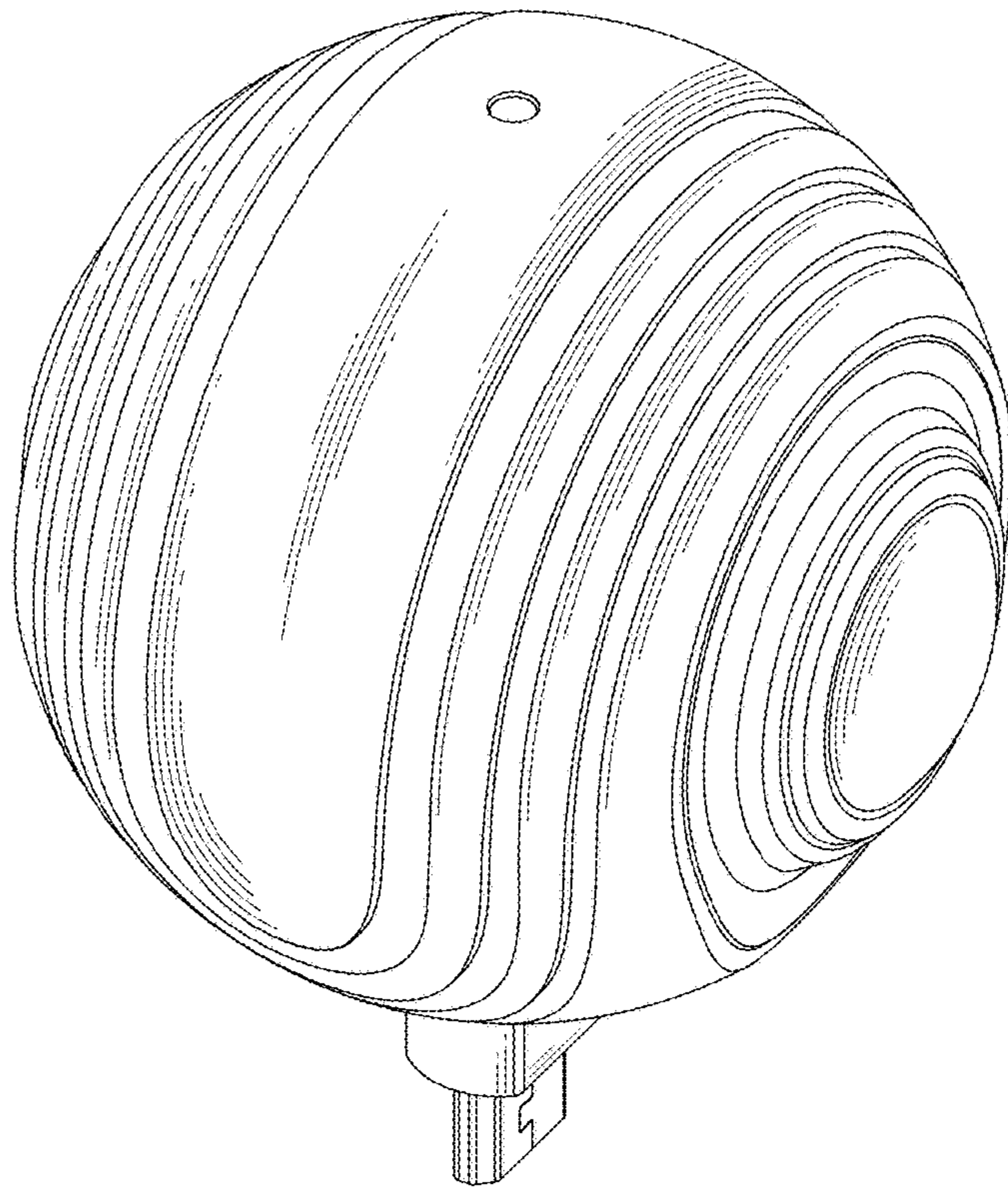


FIG. 1

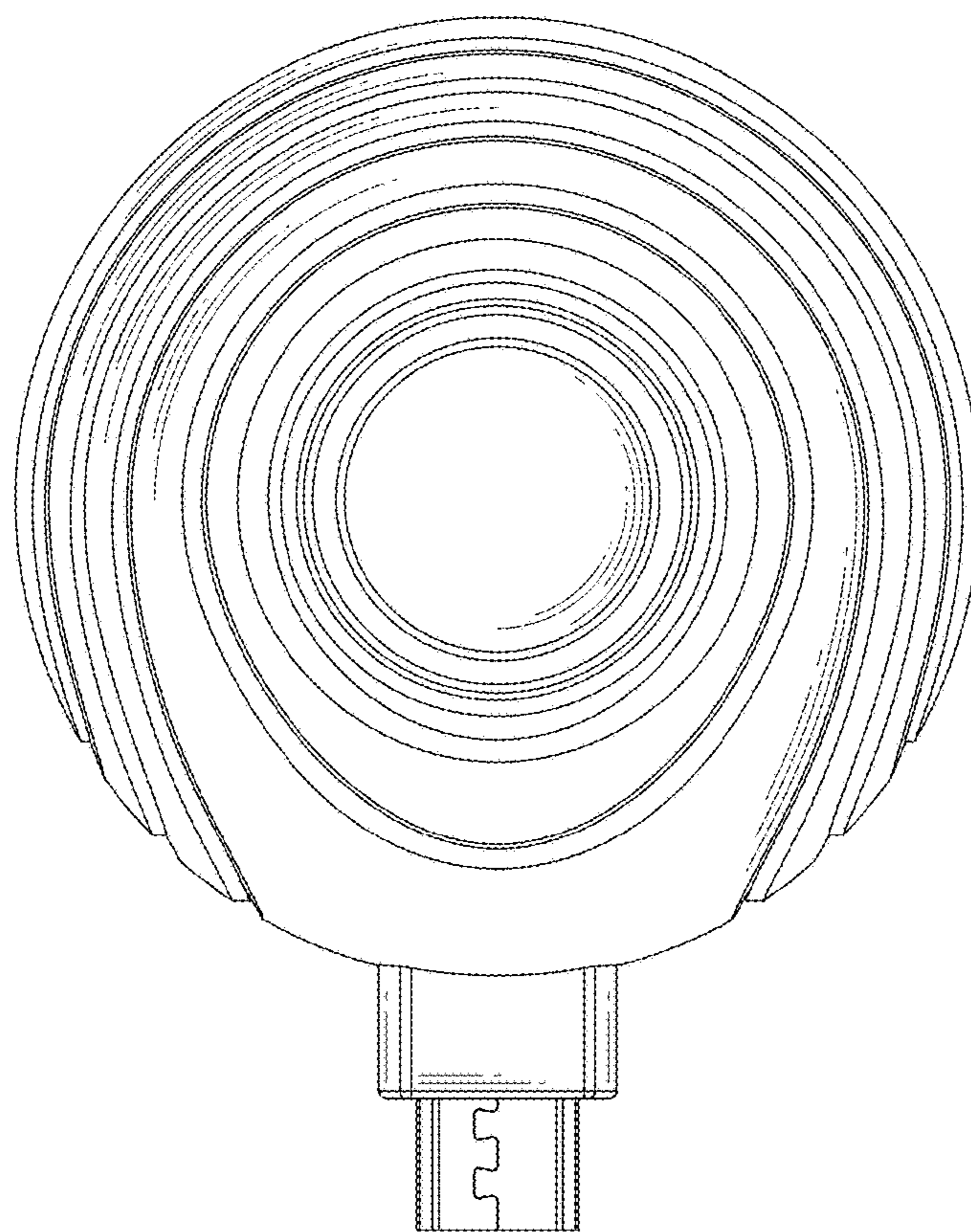


FIG. 2

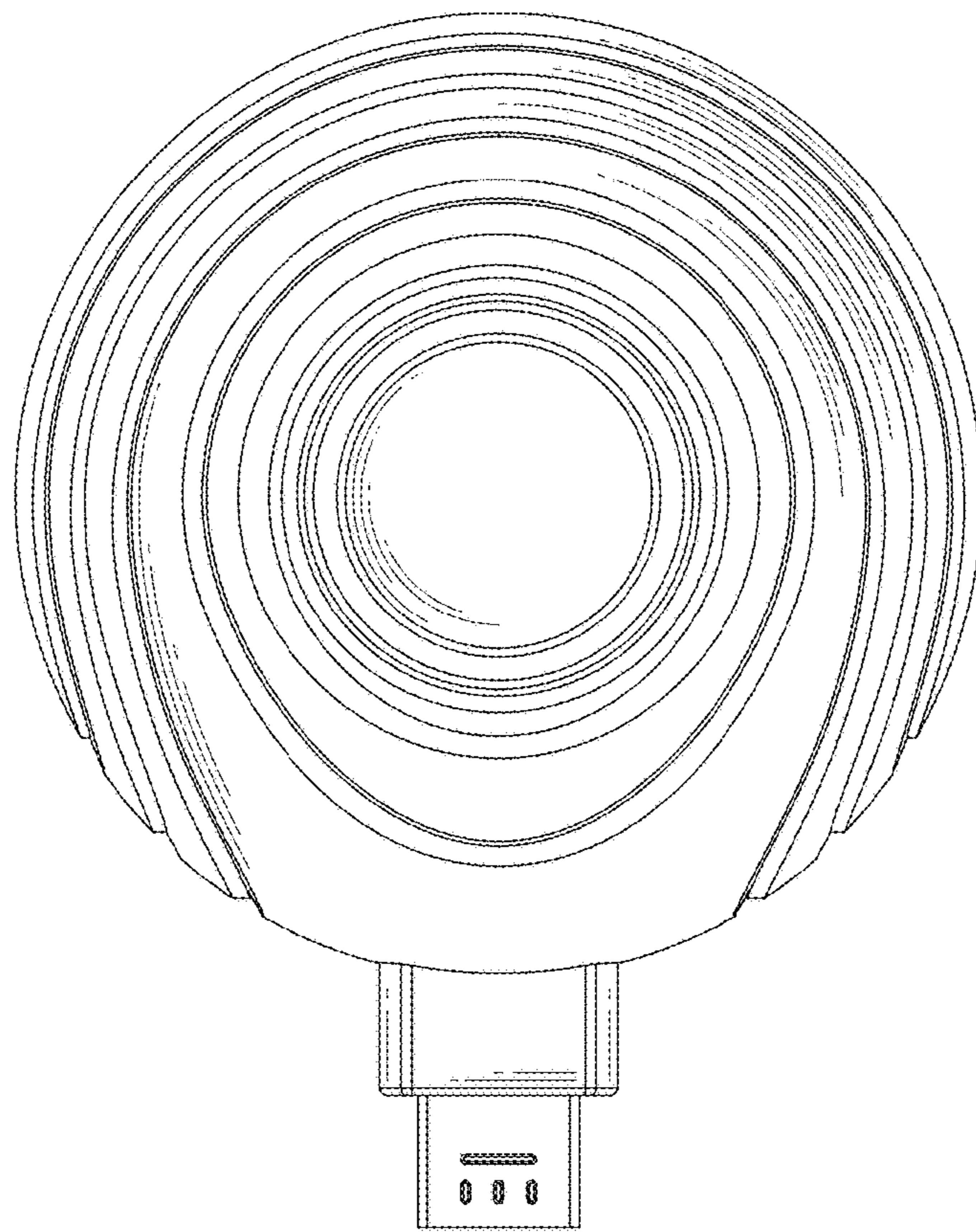


FIG. 3

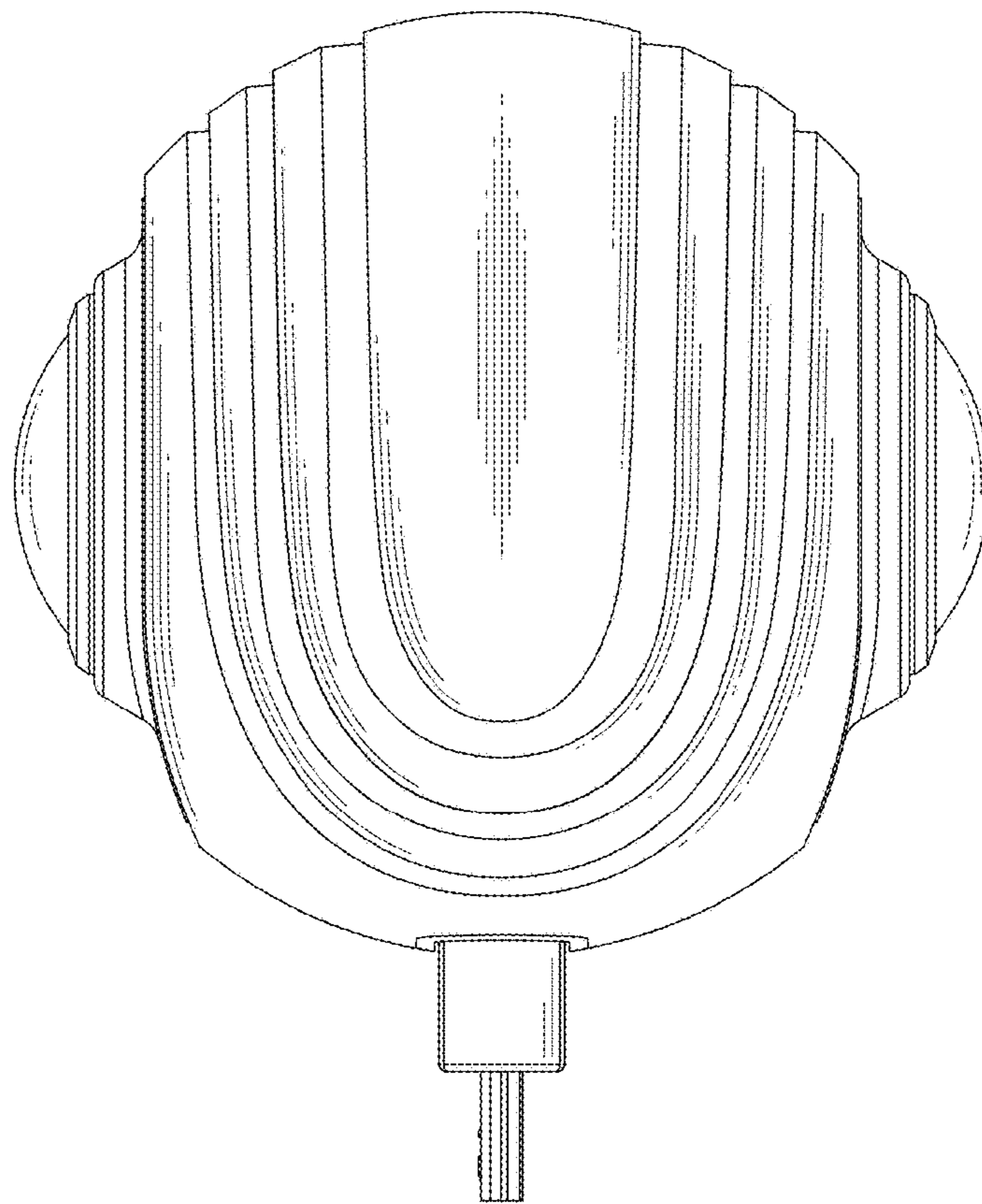


FIG. 4

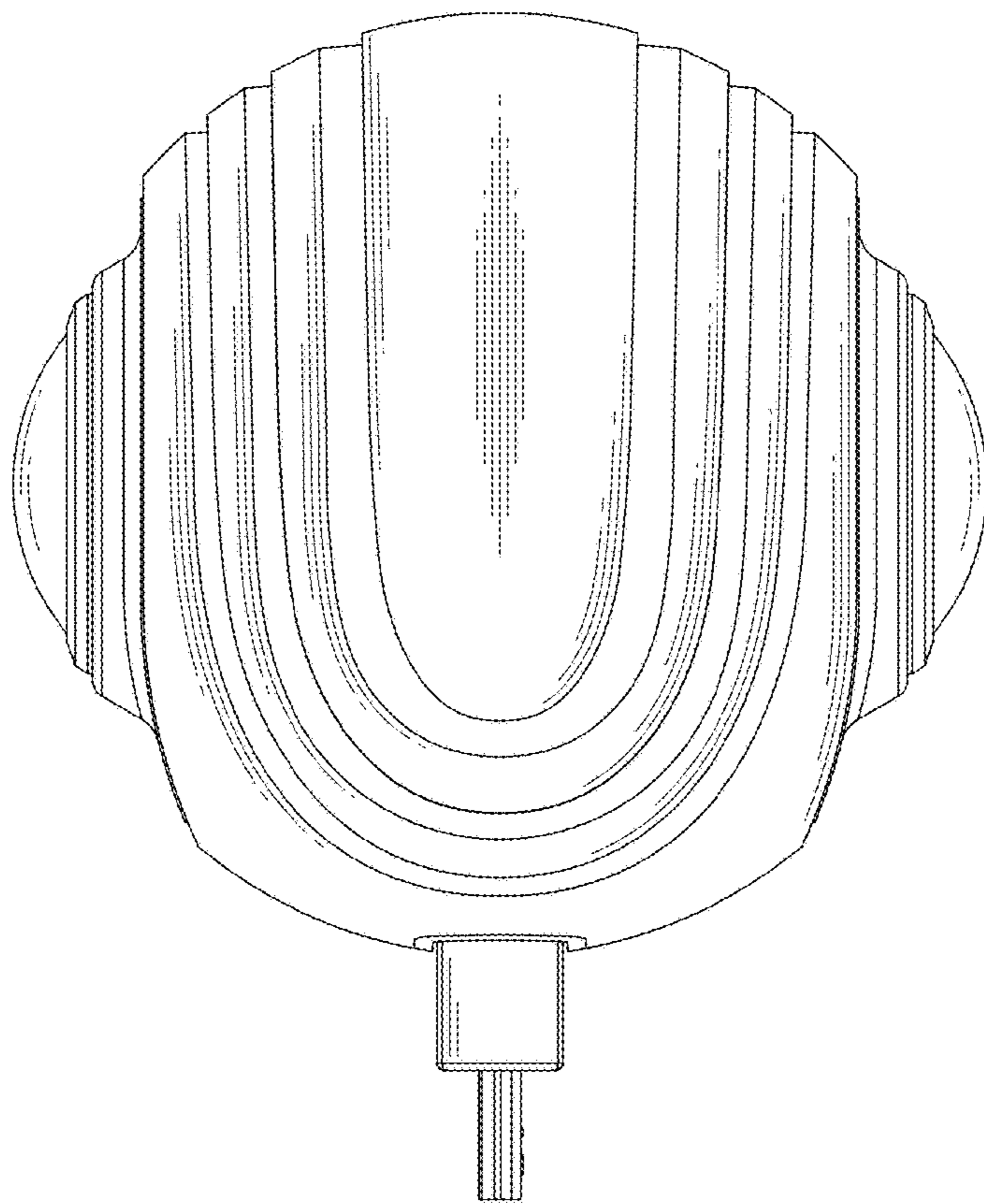


FIG. 5

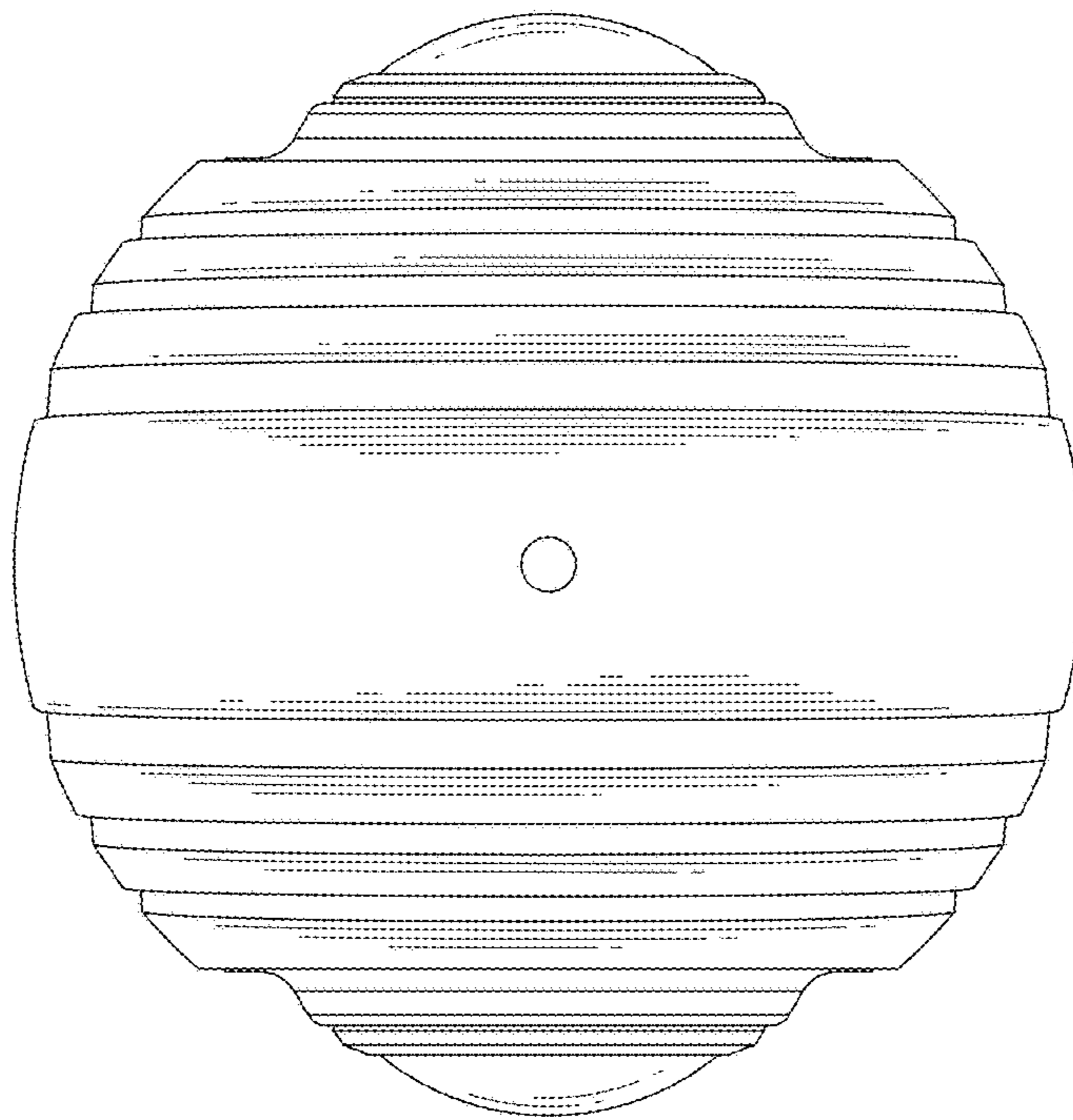


FIG. 6



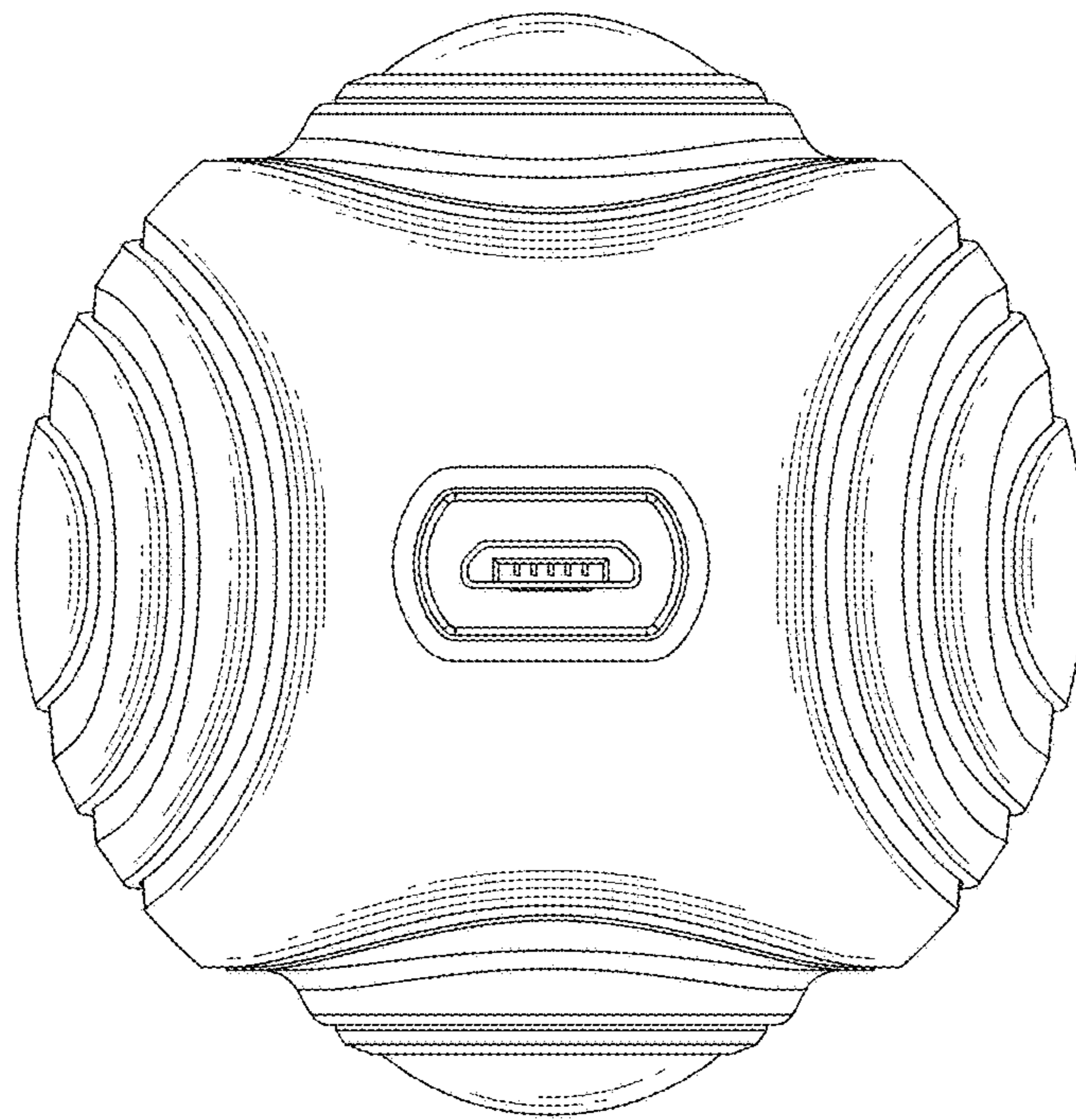


FIG. 7

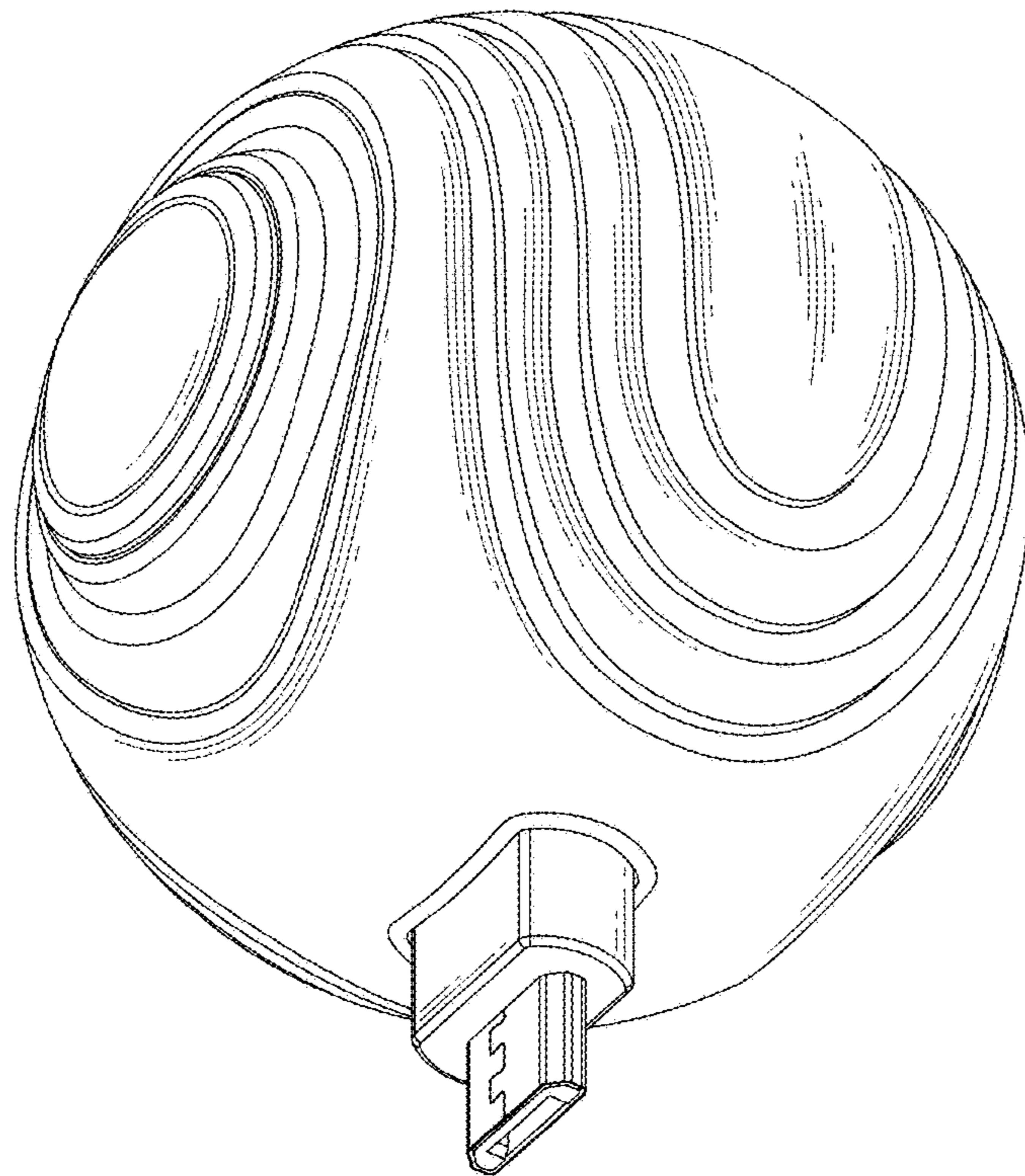


FIG. 8