



US00D864274S

(12) **United States Design Patent**
Moon

(10) **Patent No.:** **US D864,274 S**

(45) **Date of Patent:** **** Oct. 22, 2019**

(54) **CAMERA**

(71) Applicant: **Hanwha Techwin Co., Ltd.**,
Seongnam-si (KR)

(72) Inventor: **Mi Jung Moon**, Changwon-si (KR)

(73) Assignee: **HANWHA TECHWIN CO., LTD.**,
Seongnam-si (KR)

(**) Term: **15 Years**

(21) Appl. No.: **29/631,711**

(22) Filed: **Jan. 2, 2018**

(30) **Foreign Application Priority Data**

Jul. 13, 2017 (KR) 30-2017-0032435

(51) **LOC (12) Cl.** **16-01**

(52) **U.S. Cl.**
USPC **D16/202**

(58) **Field of Classification Search**

USPC D16/200, 202-206, 208, 218, 219;
D21/514; 348/373-376; 396/535,
396/539-541

CPC G03B 15/03; G03B 17/02; G03B 17/04;
G03B 17/56; G03B 19/04; H04N 5/2251;
H04N 5/2252; H04N 5/2253; H04N
5/2254; H04N 2101/00

See application file for complete search history.

(56) **References Cited**

U.S. PATENT DOCUMENTS

6,411,332 B1 * 6/2002 Whitby H04N 5/2251
348/373
D511,352 S * 11/2005 Oliver D16/203
D569,887 S * 5/2008 Feng D16/202
D757,835 S * 5/2016 Tabuchi D16/203
D765,756 S 9/2016 Liu
D813,290 S * 3/2018 Song D16/203

D813,926 S * 3/2018 Shin D16/203
D814,544 S * 4/2018 Moon D16/203
D819,112 S * 5/2018 Kim D16/218
D822,742 S * 7/2018 Hathway D16/203
D822,743 S * 7/2018 Hathway D16/203
D822,744 S * 7/2018 Hathway D16/203
D832,907 S * 11/2018 Jeong D16/203

FOREIGN PATENT DOCUMENTS

EP 000723150-0001 10/2007
KR 30-0558301 4/2010
KR 30-08223253 4/2016
KR 30-0867202 8/2016

* cited by examiner

Primary Examiner — Ramzi S Almatrahi

(74) *Attorney, Agent, or Firm* — H.C. Park & Associates,
PLC

(57) **CLAIM**

The ornamental design for a camera, as shown and described.

DESCRIPTION

FIG. 1 is a front perspective view of a camera;
FIG. 2 is a front elevational view thereof;
FIG. 3 is a rear elevational view thereof;
FIG. 4 is a right side elevational view thereof;
FIG. 5 is a left side elevational view thereof;
FIG. 6 is a top plan view thereof;
FIG. 7 is a bottom plan view thereof;
FIG. 8 is a front perspective view of the camera shown in condition of use; and,
FIG. 9 is a front perspective view thereof, shown in condition of use and in an alternate configuration.
The broken lines depict portions of the environment and the camera in which the design is embodied that form no part of the claimed design.

1 Claim, 8 Drawing Sheets

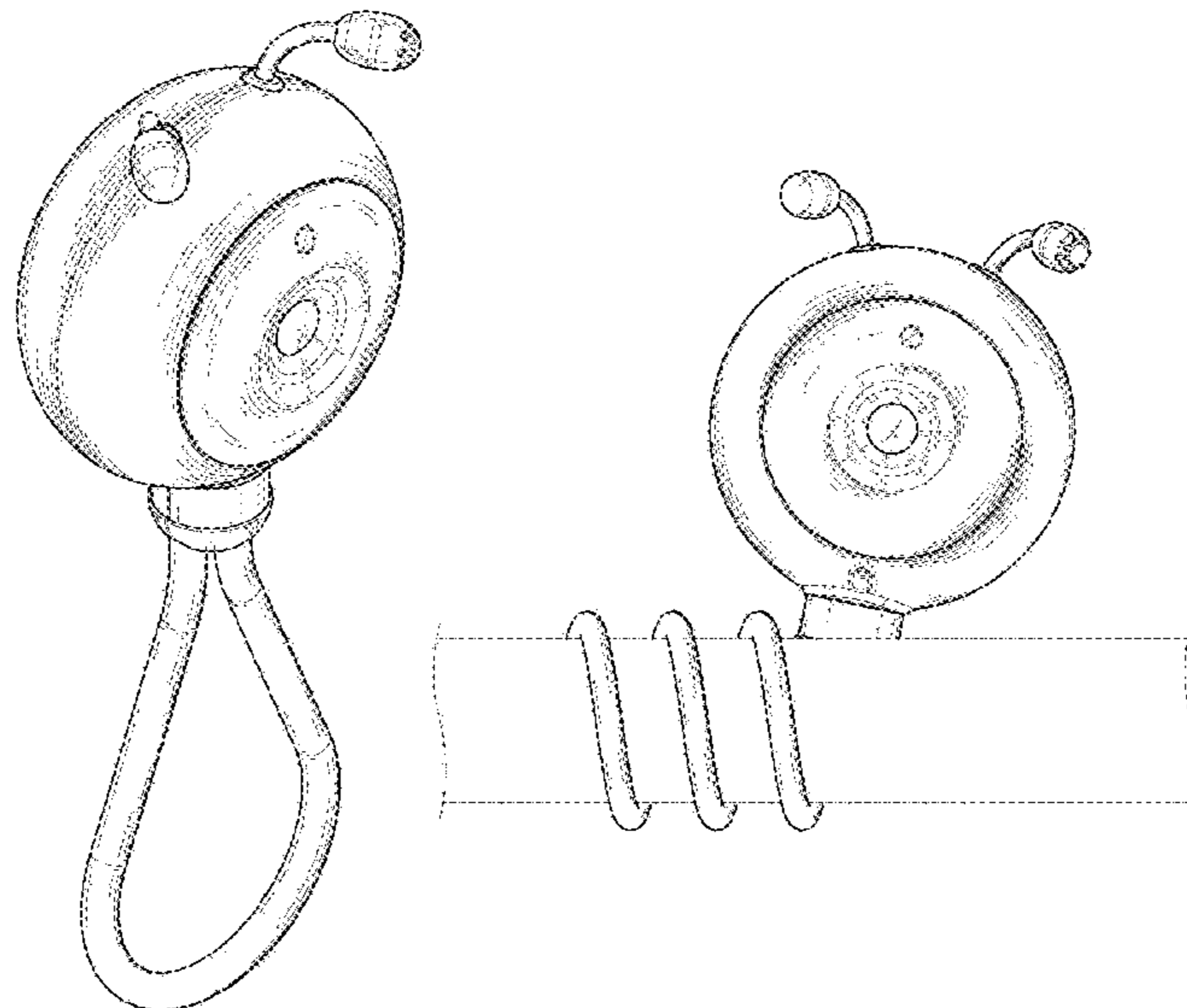


FIG. 1

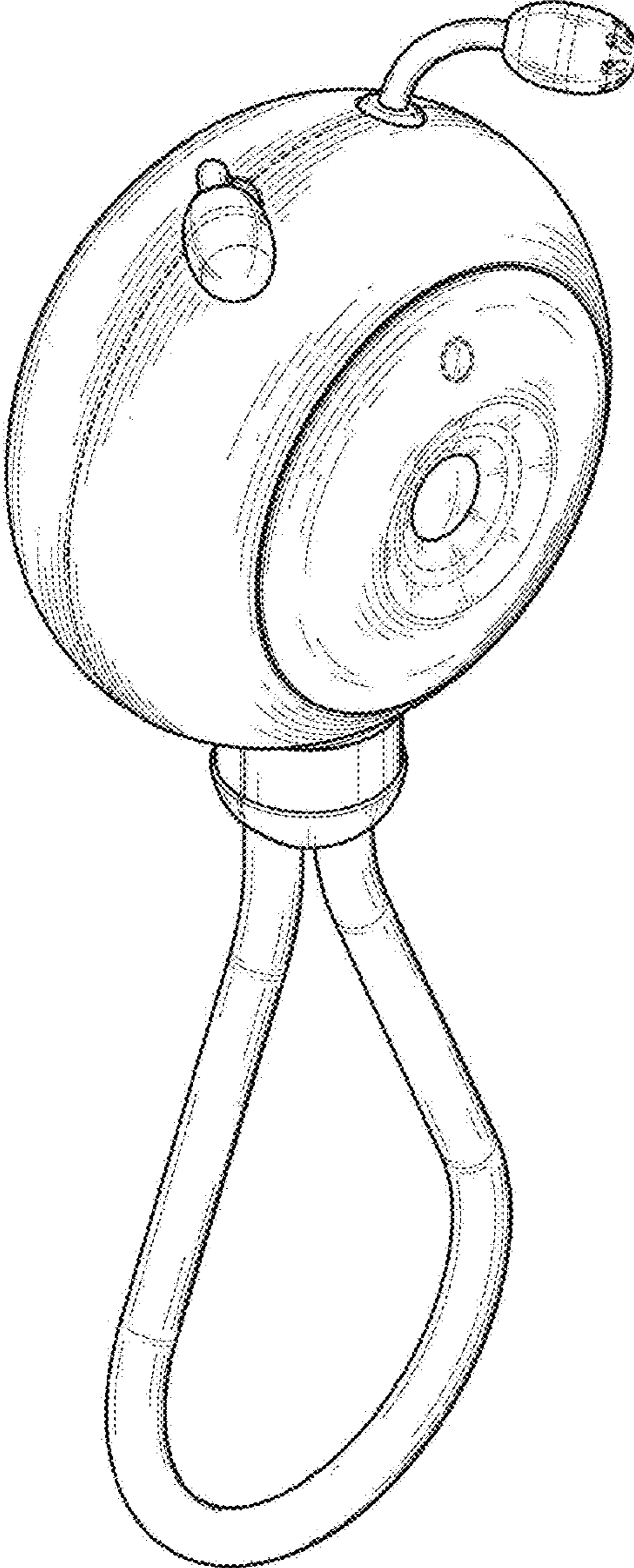


FIG. 2

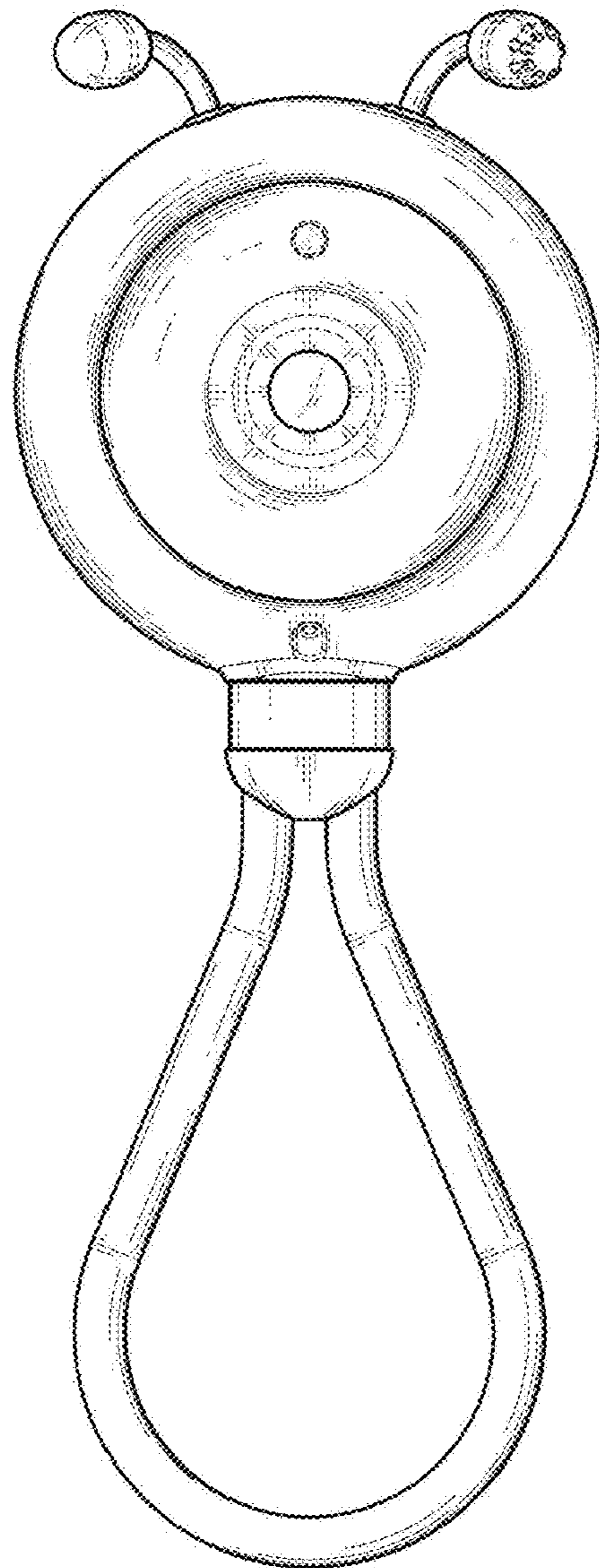


FIG. 3

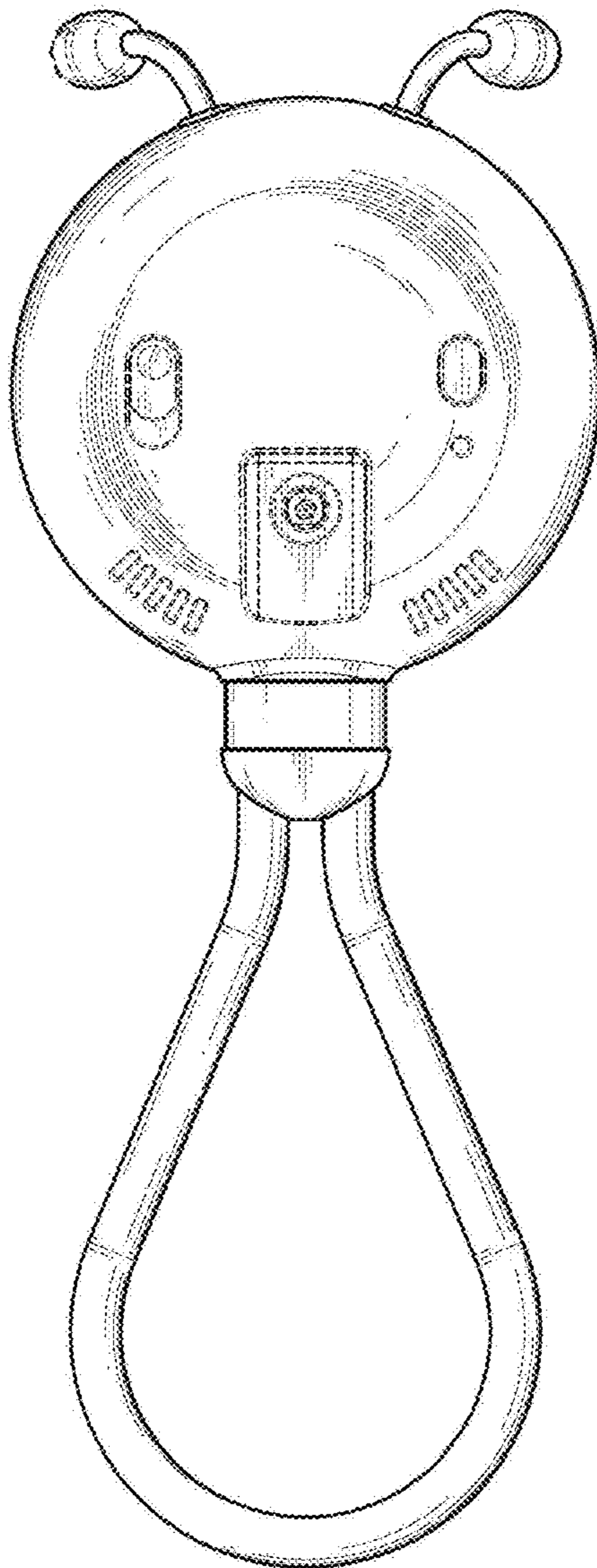


FIG. 4

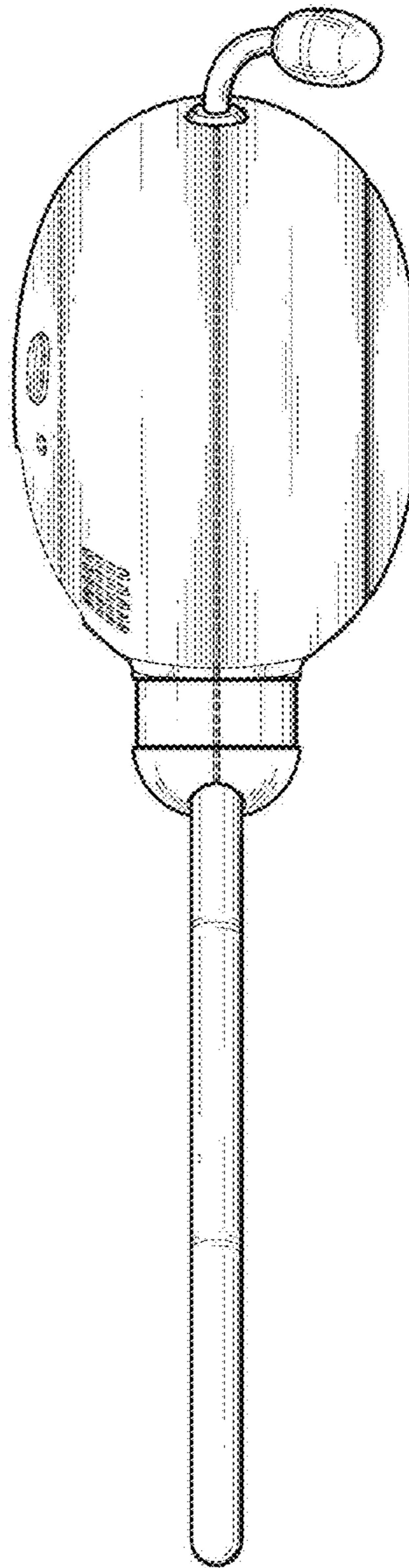


FIG. 5

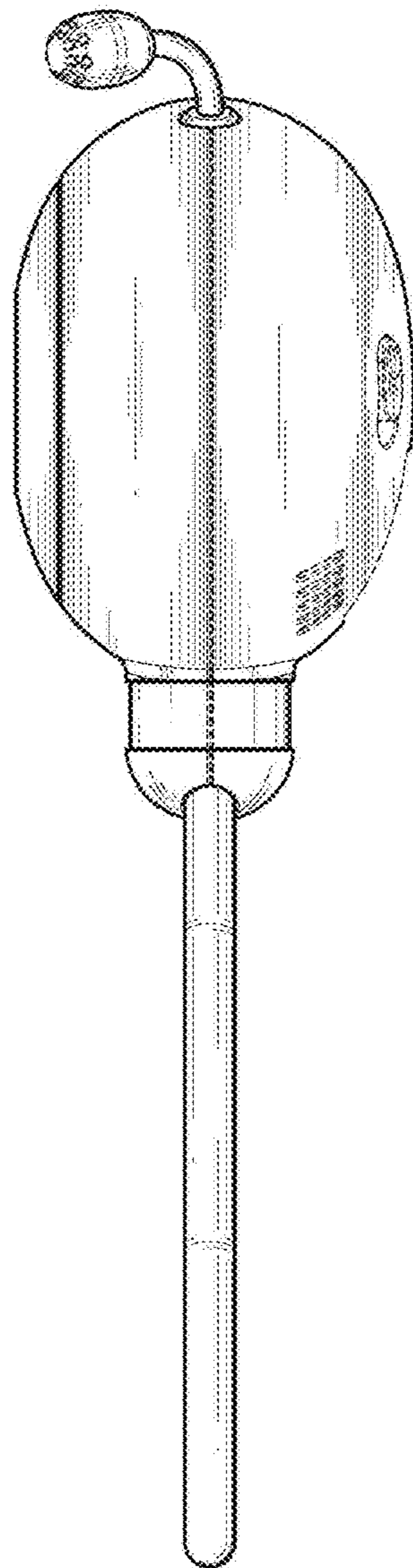


FIG. 6

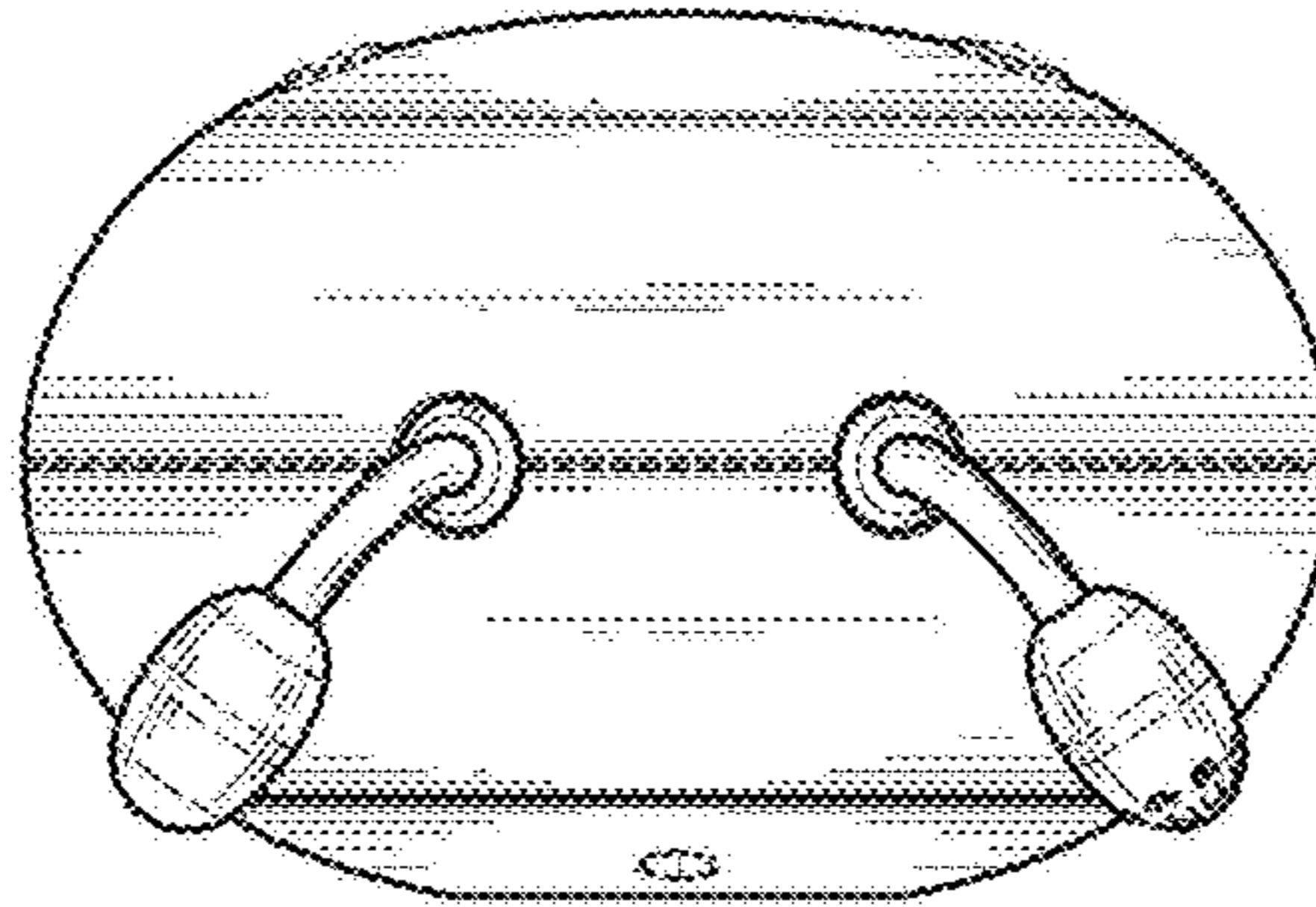


FIG. 7

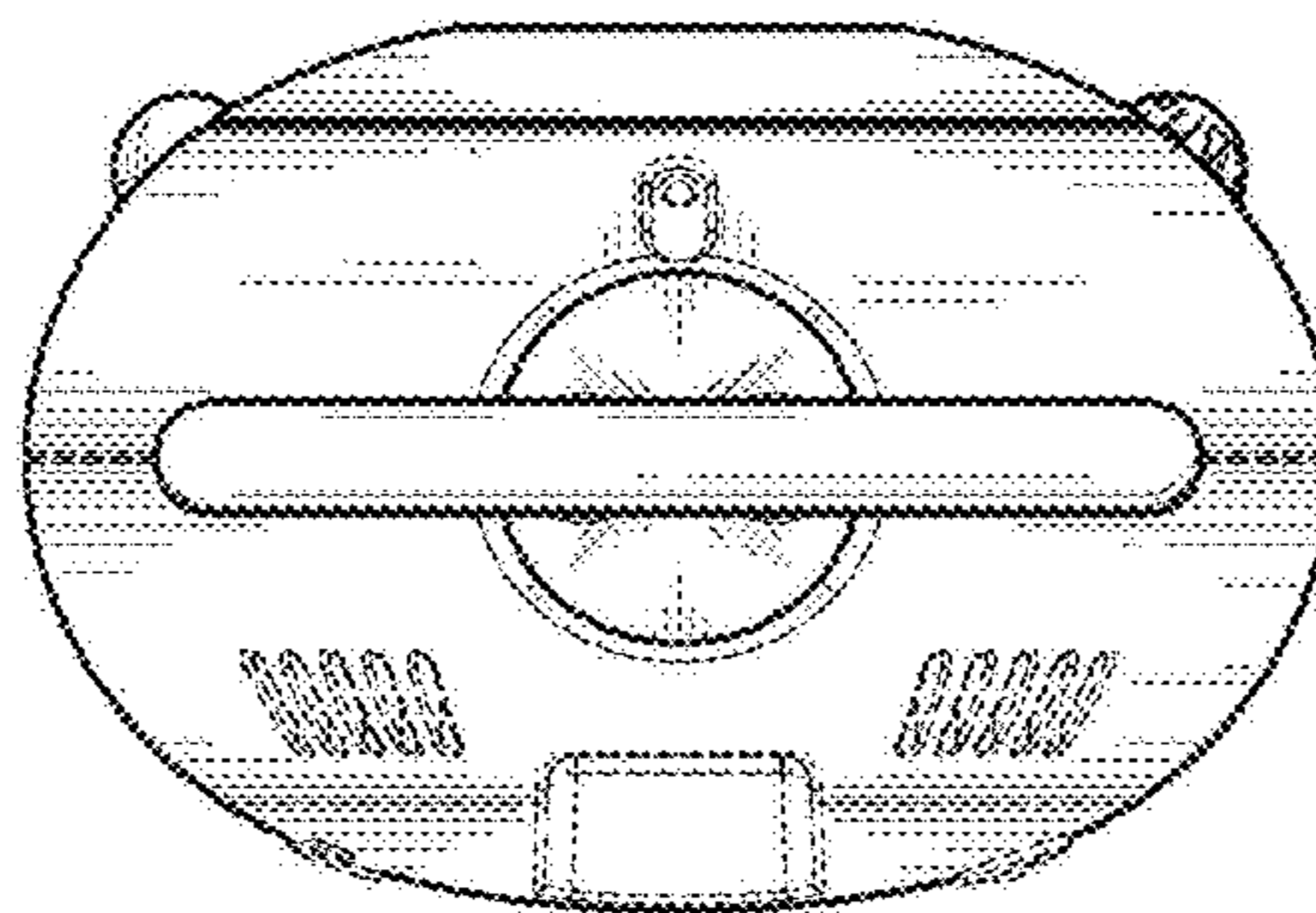


FIG. 8

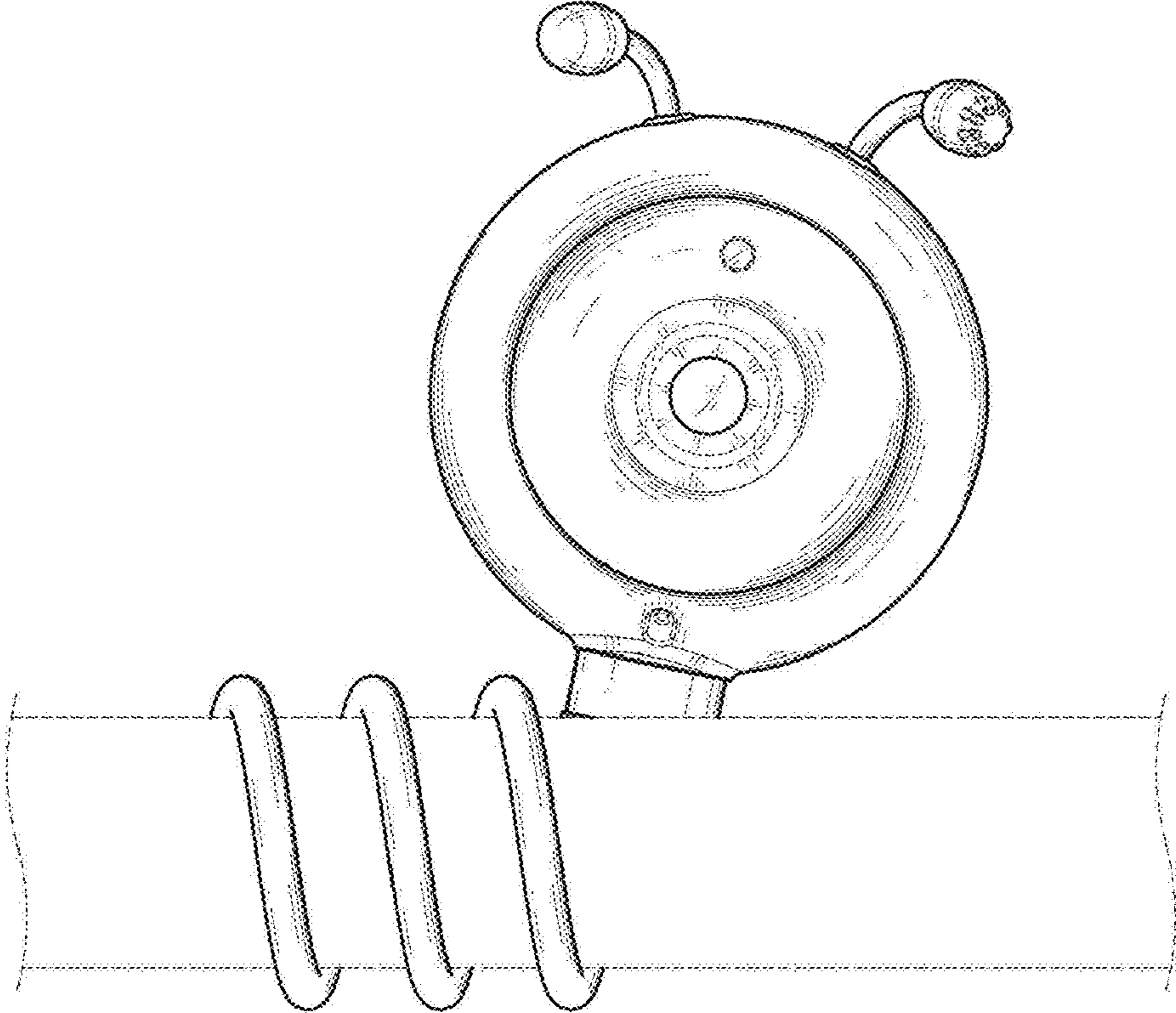


FIG. 9

