



US00D864272S

(12) **United States Design Patent**
Zhao

(10) **Patent No.:** **US D864,272 S**
(45) **Date of Patent:** **** Oct. 22, 2019**

(54) **CAMCORDER**

(71) Applicant: **Kun-Dian Zhao**, Guangdong (CN)

(72) Inventor: **Kun-Dian Zhao**, Guangdong (CN)

(73) Assignee: **Shenzhen Sonida Digital Technology Co., Ltd.**, Guangdong (CN)

(**) Term: **15 Years**

(21) Appl. No.: **29/612,992**

(22) Filed: **Aug. 7, 2017**

(51) **LOC (12) Cl.** **16-01**

(52) **U.S. Cl.**
USPC **D16/202**

(58) **Field of Classification Search**

USPC D16/200, 202–208, 210, 218, 219, 220,
D16/237, 242; 348/231.99, 333.01,
348/333.09, 341, 373–376; 358/906;
396/84, 141, 148, 232, 271, 296, 373,
396/536–538, 544

CPC G03B 17/02; G03B 19/04; G03B 17/56;
G03B 17/04; G03B 15/03; G03B 17/14;
H04N 5/2251; H04N 5/2252; H04N
5/2253; H04N 5/2254

See application file for complete search history.

(56) **References Cited**

U.S. PATENT DOCUMENTS

D566,150 S * 4/2008 Sadatsuki D16/202
D566,152 S * 4/2008 Shimizu D16/202

D593,588 S * 6/2009 Tsuchiya D16/202
D593,590 S * 6/2009 Tanifuji D16/202
D612,881 S * 3/2010 Narita D16/202
D613,323 S * 4/2010 Jang D16/202
D664,176 S * 7/2012 Naoya D16/202
D664,578 S * 7/2012 Tanifuji D16/202
D675,240 S * 1/2013 Narita D16/202
D689,110 S * 9/2013 Euihoon D16/202
D696,328 S * 12/2013 Nishiwaki D16/202
D698,381 S * 1/2014 Arimoto D16/202
2012/0134661 A1 * 5/2012 Ozaki G03B 17/02
396/535

* cited by examiner

Primary Examiner — Ramzi S Almatrahi

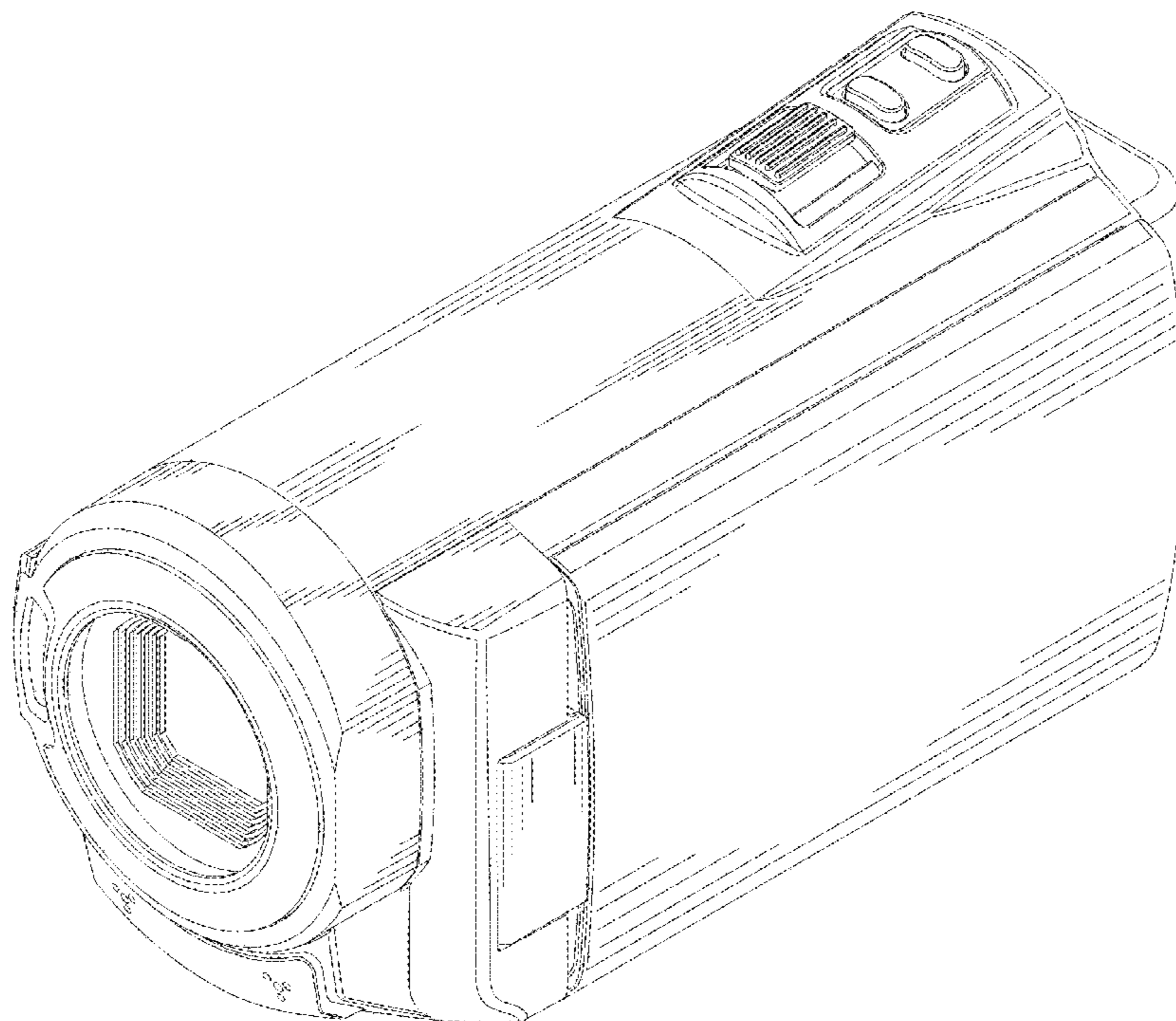
(57) **CLAIM**

The ornamental design for a camcorder, as shown and described.

DESCRIPTION

FIG. 1 is a perspective view of a camcorder showing my new design;
FIG. 2 is a front elevational view thereof;
FIG. 3 is a top plan view thereof;
FIG. 4 is a left side elevational view thereof;
FIG. 5 is a rear elevational view thereof,
FIG. 6 is a right side elevational view thereof; and,
FIG. 7 is a bottom plan view thereof.
The broken lines depict portions of the camcorder in which the design is embodied that form no part of the claimed design.

1 Claim, 7 Drawing Sheets



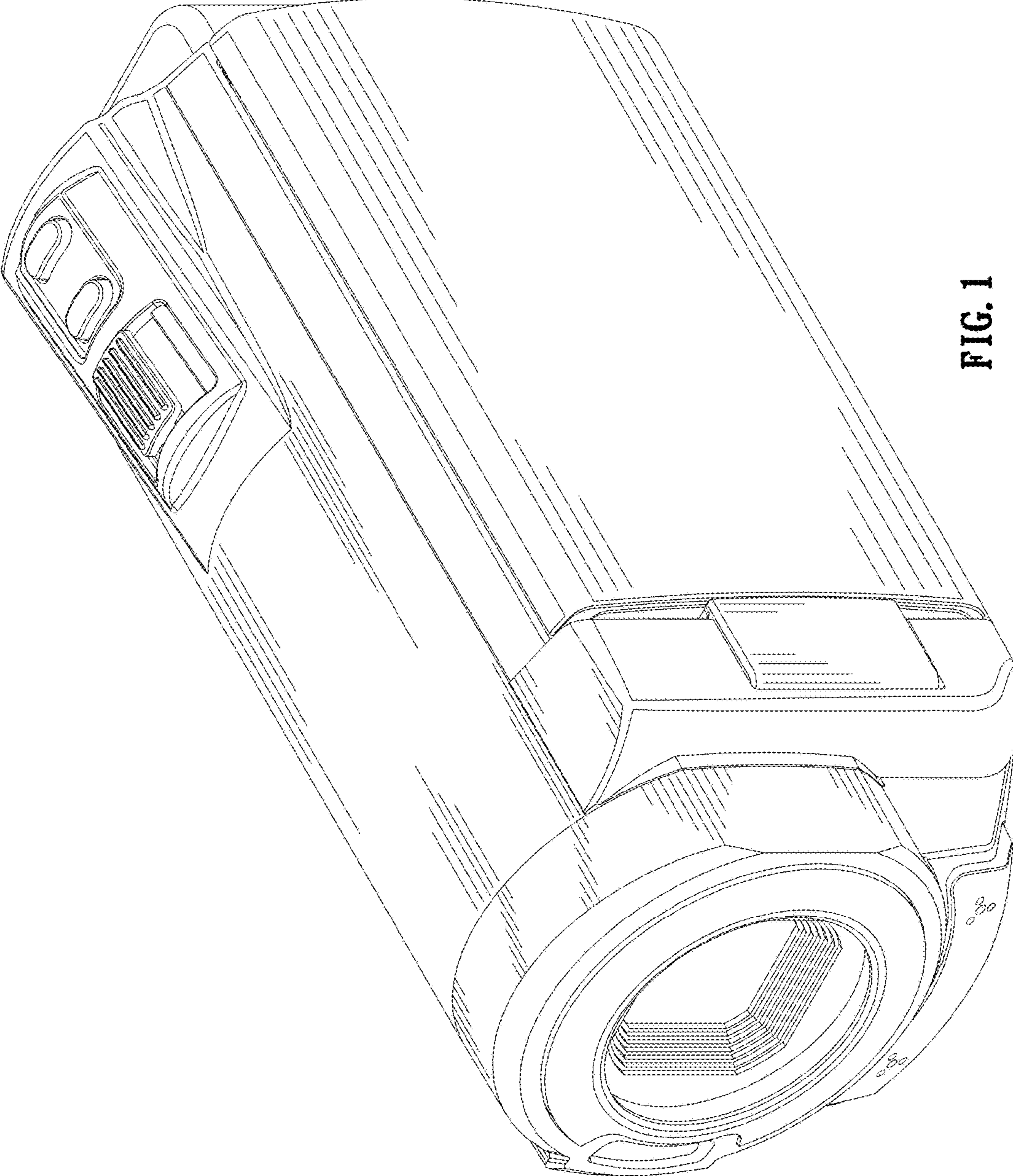


FIG. 1

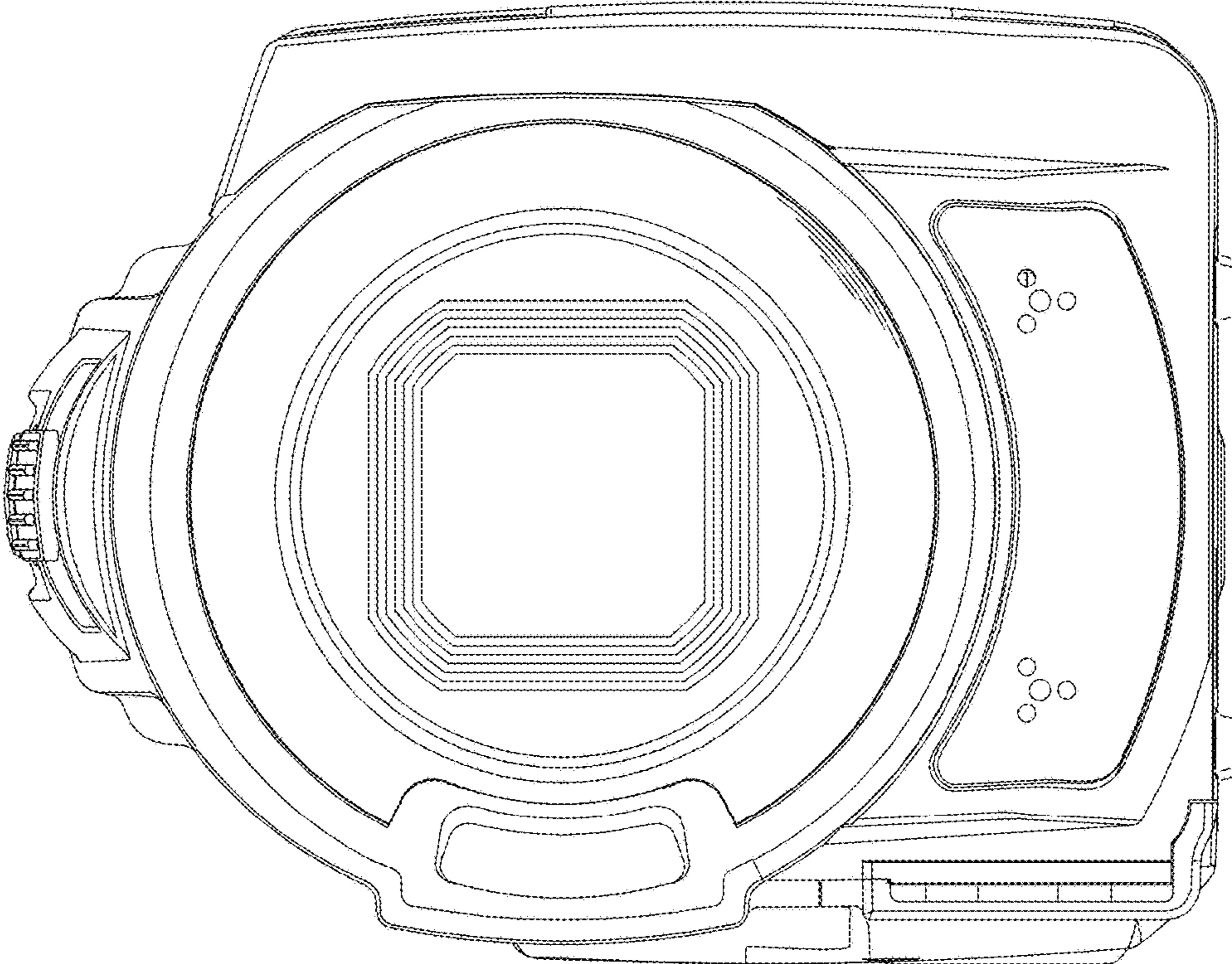


FIG. 2

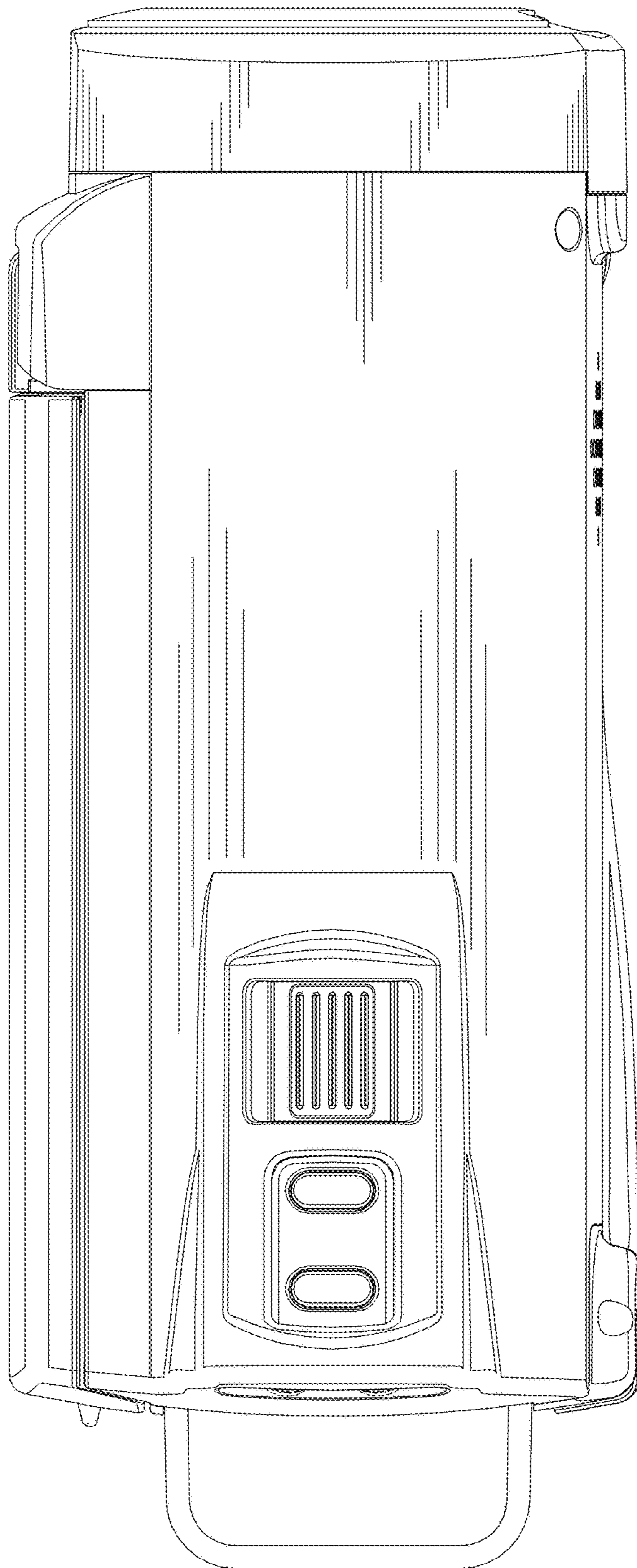


FIG. 3

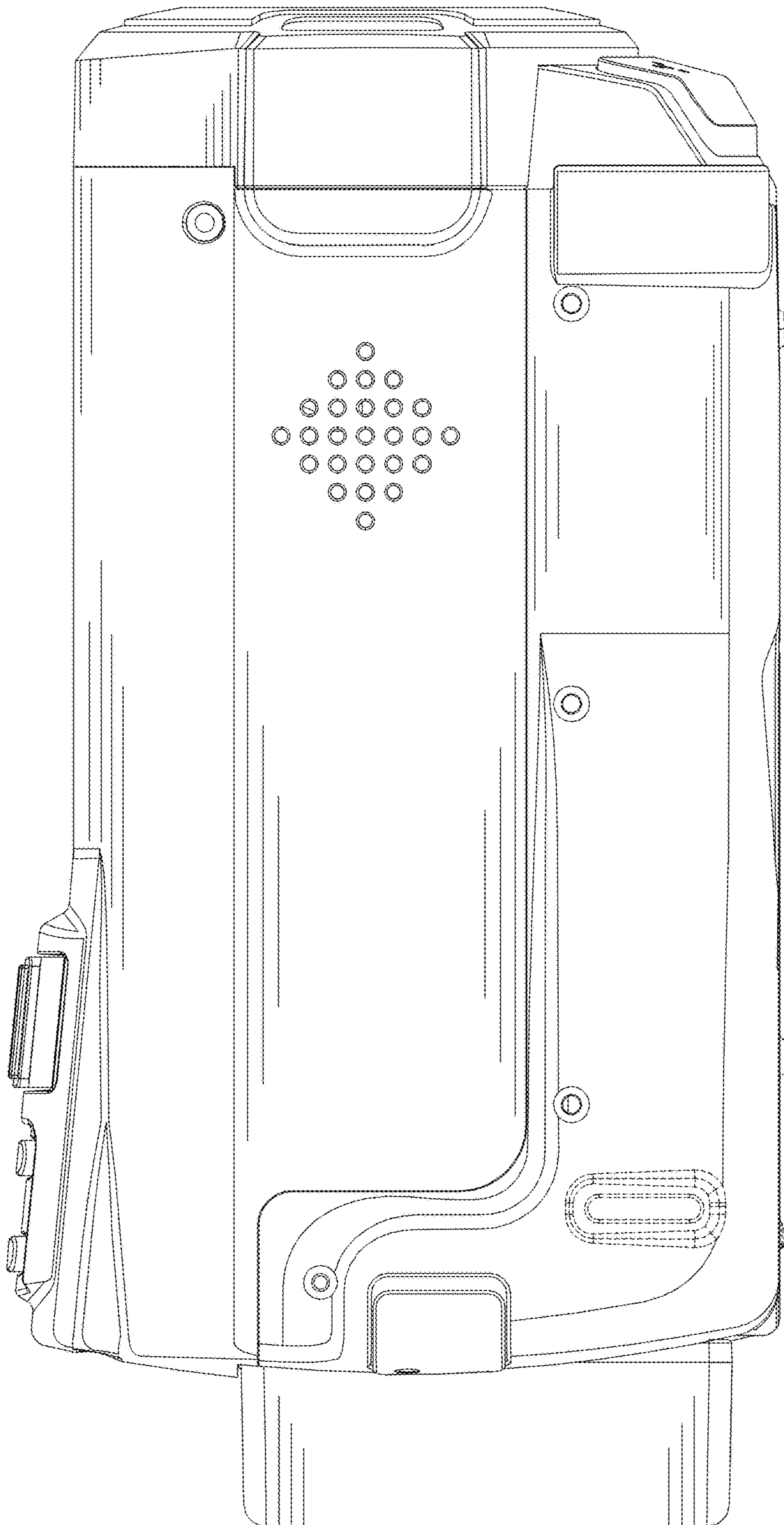


FIG. 4

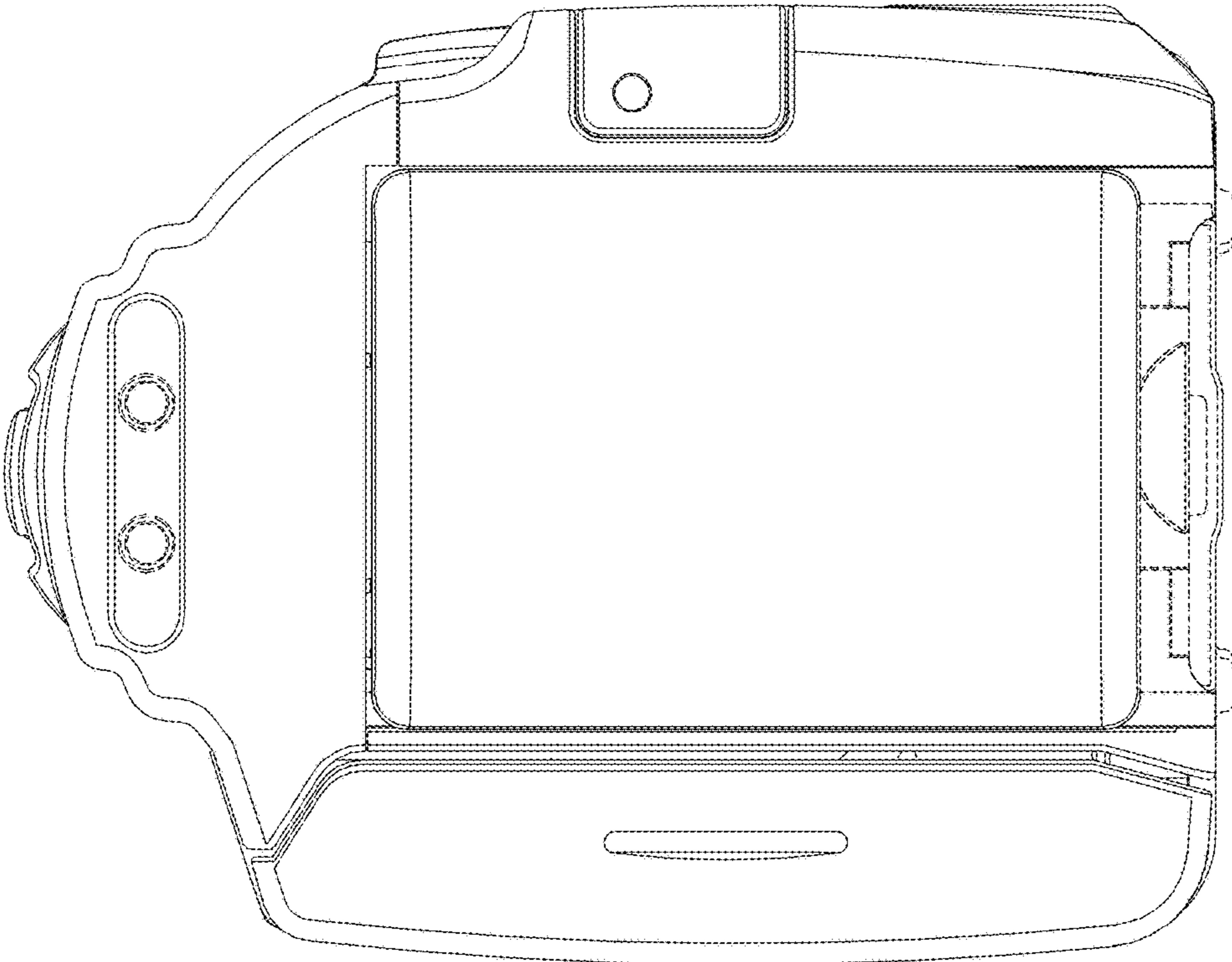


FIG. 5

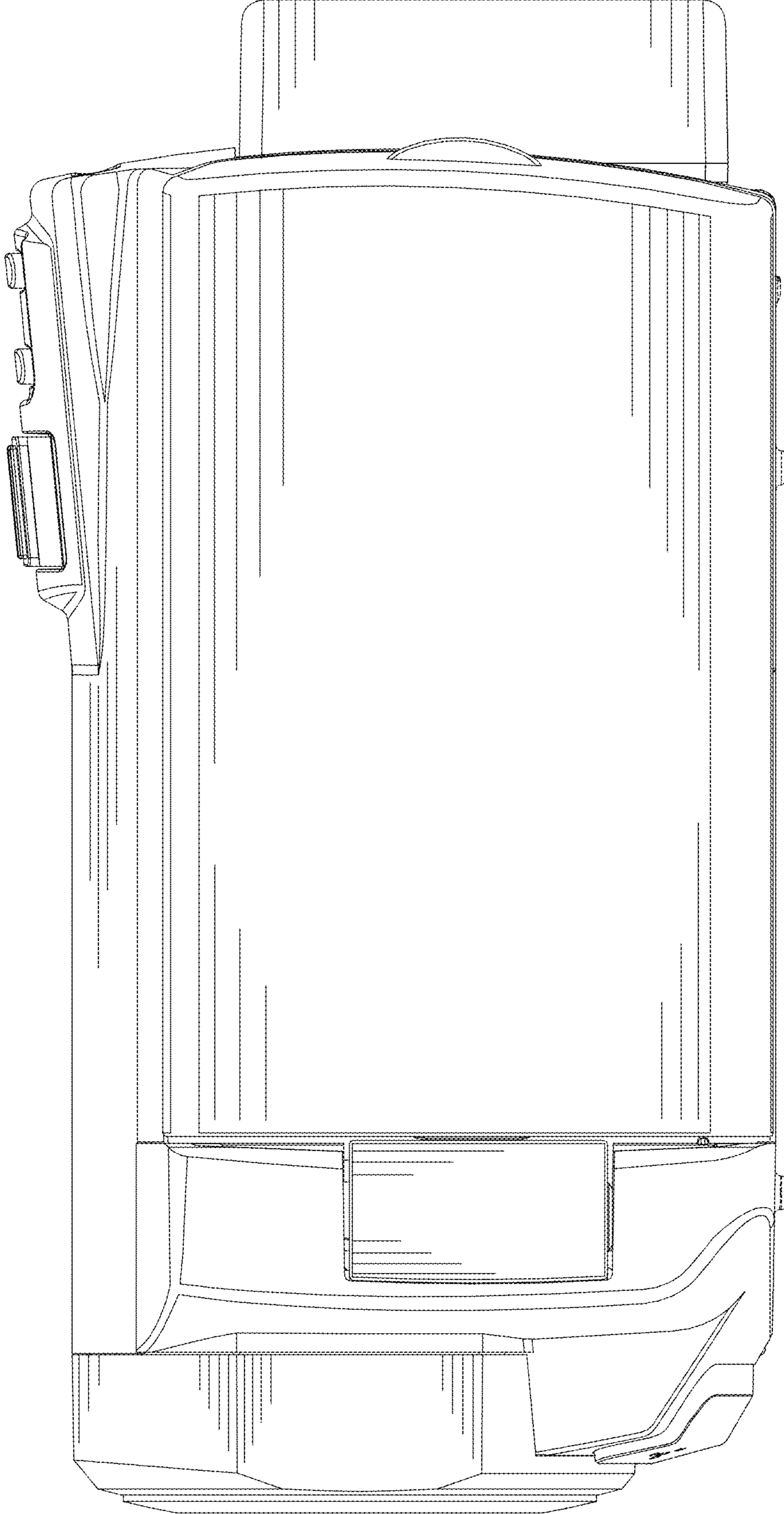


FIG. 6

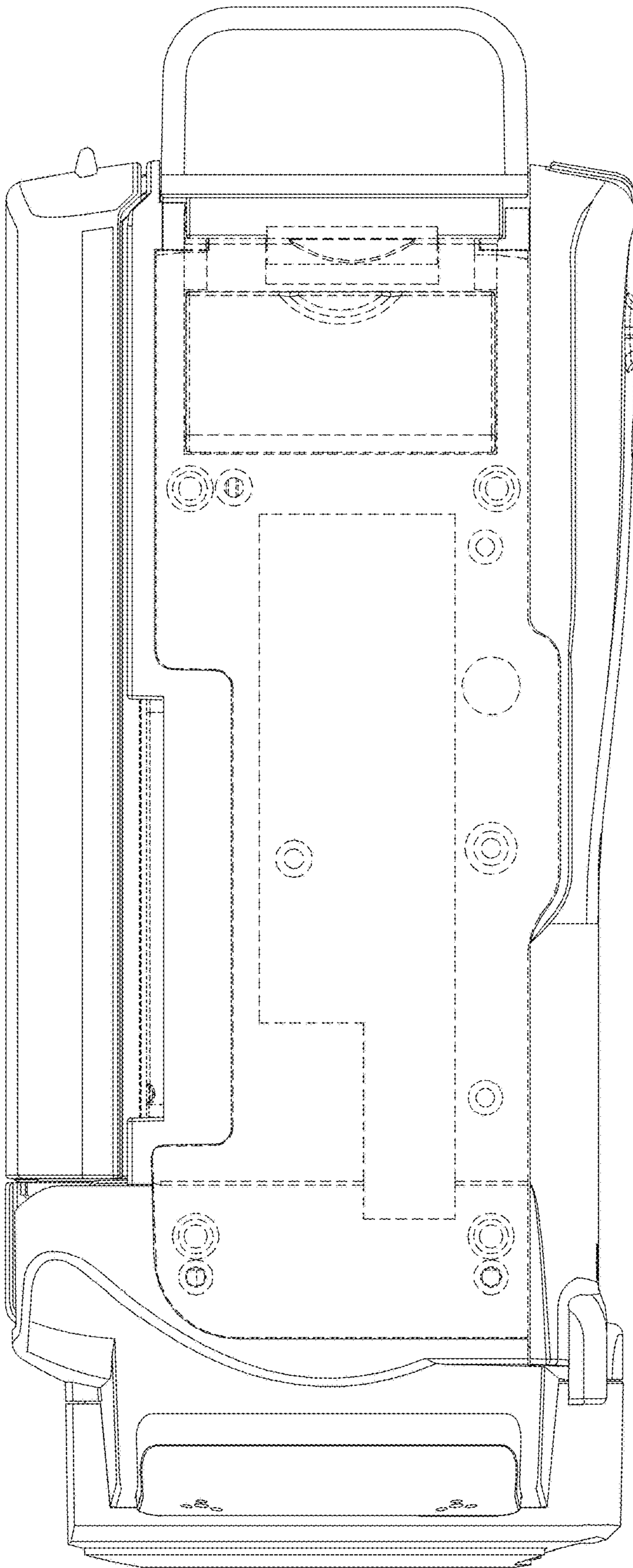


FIG. 7