



US00D864269S

(12) **United States Design Patent**  
**Mitrovich**

(10) **Patent No.:** **US D864,269 S**  
(45) **Date of Patent:** **\*\* Oct. 22, 2019**

- (54) **LUBRICANT STICK**
- (71) Applicant: **MPL Innovations, Inc.**, Seattle, WA (US)
- (72) Inventor: **Michael J. Mitrovich**, Seattle, WA (US)
- (73) Assignee: **MPL INNOVATIONS, INC.**, Seattle, WA (US)

- 4,711,320 A 12/1987 Dombroski et al.
- 4,915,195 A 4/1990 Dial
- 5,054,582 A 10/1991 Aracil
- 5,251,724 A 10/1993 Szatkowski et al.
- 5,305,853 A 4/1994 Ross et al.
- 5,337,860 A 8/1994 Burke et al.
- 5,358,072 A 10/1994 Szatkowski et al.
- 5,478,316 A 12/1995 Bitdinger et al.
- 5,518,085 A 5/1996 Houser, Jr. et al.

(Continued)

(\*\*) Term: **15 Years**

(21) Appl. No.: **29/627,915**

(22) Filed: **Nov. 30, 2017**

(51) **LOC (12) Cl.** ..... **15-09**

(52) **U.S. Cl.**  
USPC ..... **D15/150**

(58) **Field of Classification Search**  
USPC ..... D15/138, 150, 151, 152  
CPC ..... B61K 3/00; B61K 3/02; C10N 2240/02;  
C10N 2240/08; F16N 15/00; F16N 15/02;  
F16N 15/05; F16N 15/0497  
See application file for complete search history.

(56) **References Cited**

**U.S. PATENT DOCUMENTS**

- 1,010,237 A 11/1911 Conniff
- 1,010,935 A 12/1911 Meek
- 1,097,921 A 5/1914 Faul
- 1,222,341 A 4/1917 Wholey
- 1,438,026 A 12/1922 Eichelberger
- 1,694,153 A 12/1928 Faul
- 2,489,442 A 11/1949 Whiting
- 2,589,582 A 3/1952 Strughold et al.
- 2,866,521 A 12/1958 Gibson
- 2,903,090 A 9/1959 Brown et al.
- 3,027,974 A 4/1962 Allen
- 3,896,903 A 7/1975 Takimoto
- 4,209,081 A 6/1980 Murro
- 4,381,824 A 5/1983 Pastusek

**FOREIGN PATENT DOCUMENTS**

EP 1880136 8/2012

**OTHER PUBLICATIONS**

“Final Office Action”, U.S. Appl. No. 10/812,666, dated Apr. 19, 2006, 9 pages.

(Continued)

*Primary Examiner* — Patricia A Palasik  
(74) *Attorney, Agent, or Firm* — Colby Nipper PLLC

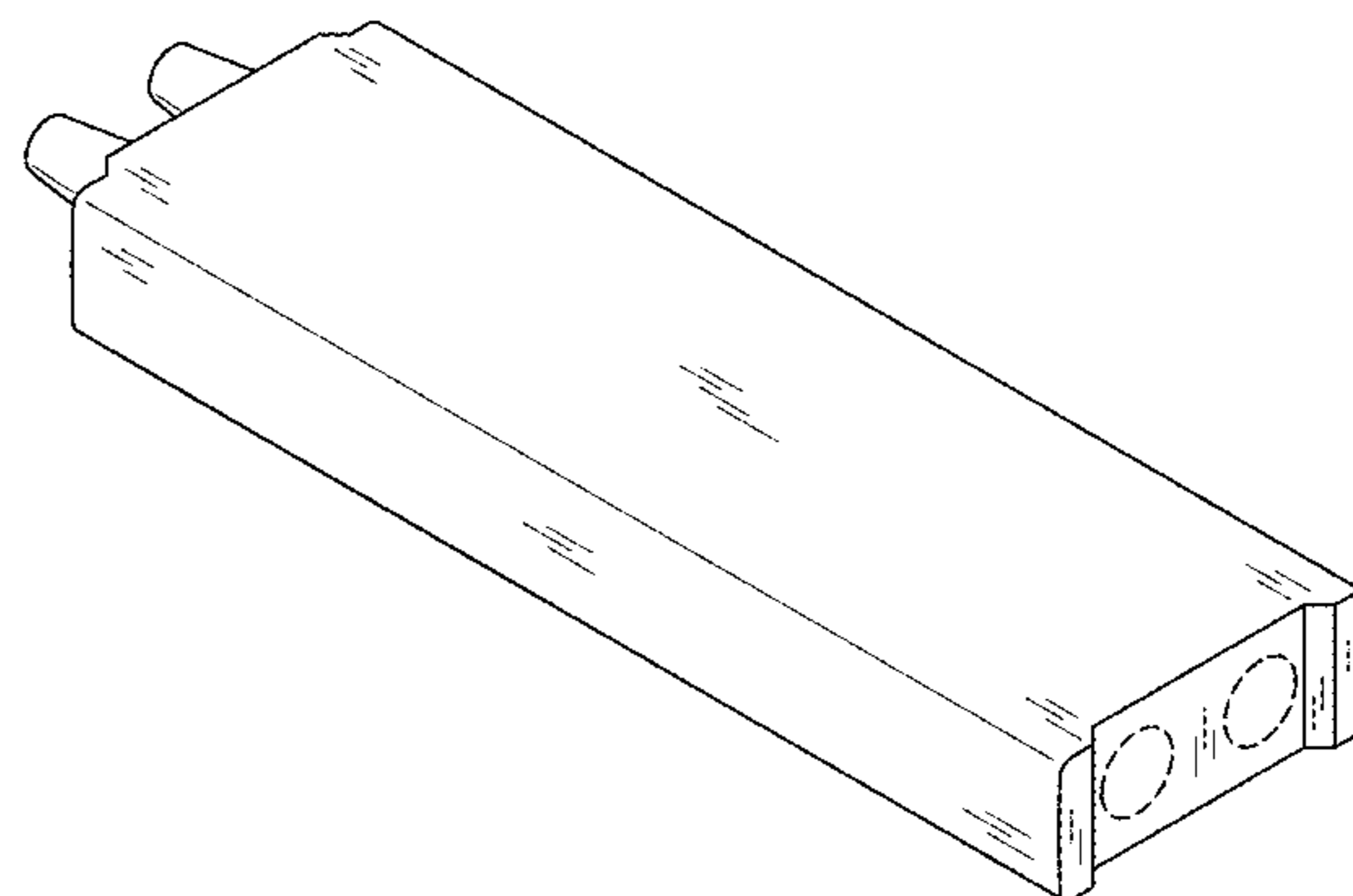
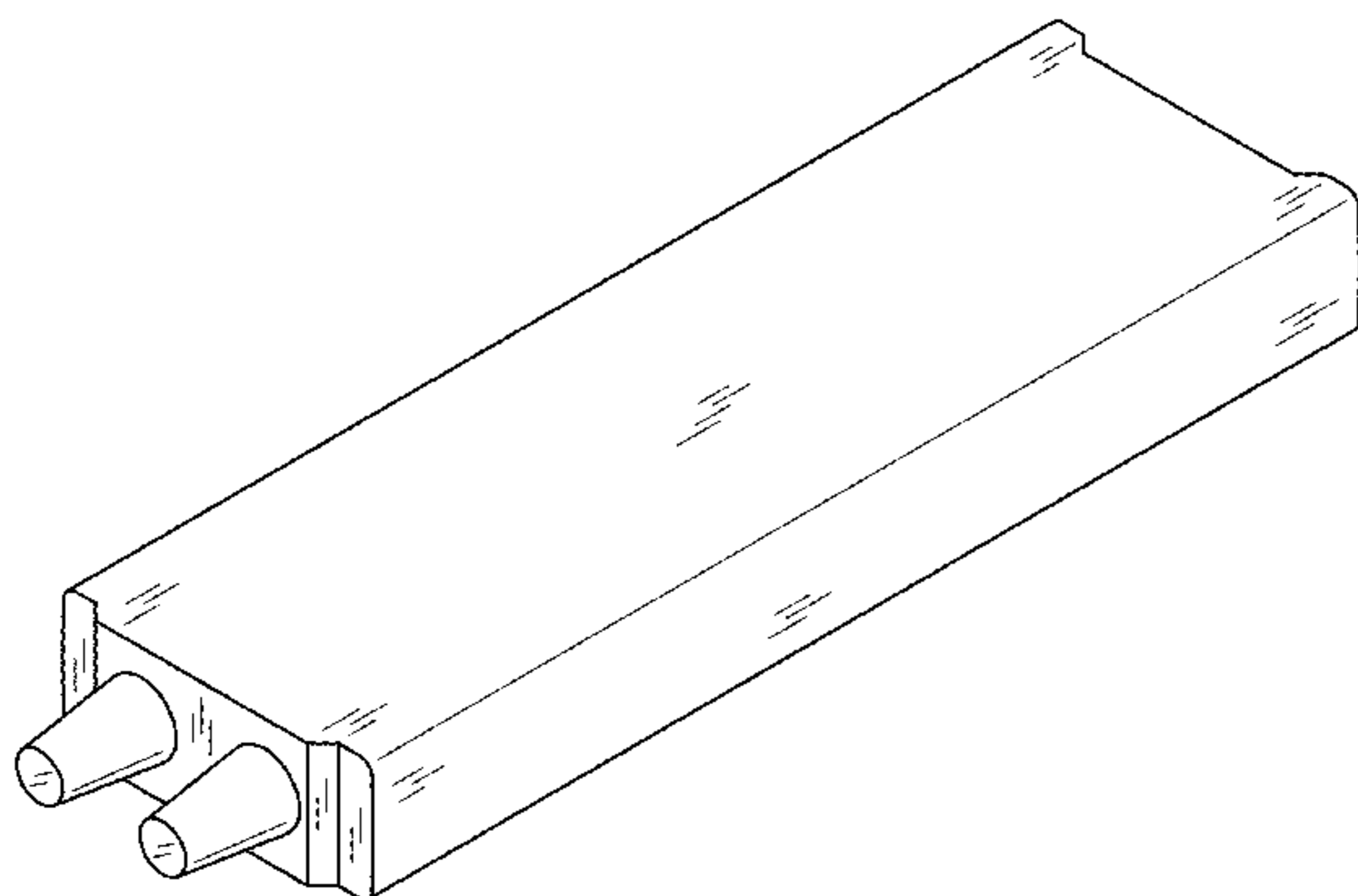
(57) **CLAIM**

I claim the ornamental design for a lubricant stick, as shown and described.

**DESCRIPTION**

FIG. 1 is a left side perspective view of a lubricant stick showing my design;  
FIG. 2 is a right-side perspective view thereof;  
FIG. 3 is a top plan view thereof, it being understood that the opposite side is a mirror image of that shown;  
FIG. 4 is a left-side elevation view thereof, it being understood that the opposite side is a mirror image of that shown;  
FIG. 5 is a front elevation view thereof; and,  
FIG. 6 is a rear elevation view thereof.  
The broken lines shown represent portions of the lubricant stick and form no part of the claimed design.

**1 Claim, 2 Drawing Sheets**



(56)

**References Cited**

U.S. PATENT DOCUMENTS

5,668,091	A *	9/1997	Grinham .....	C10M 111/00 508/123
5,992,568	A *	11/1999	Craig .....	B61K 3/02 105/72.2
6,182,793	B1	2/2001	Jamison	
6,649,573	B2 *	11/2003	Mitrovich .....	B82Y 30/00 508/116
7,449,433	B1 *	11/2008	Honary .....	B61K 3/00 508/100
7,820,598	B2 *	10/2010	Mitrovich .....	B82Y 30/00 508/100
8,445,416	B2 *	5/2013	Cotter .....	B61K 3/00 508/120
2002/0020793	A1	2/2002	Chalmers	
2003/0101897	A1	6/2003	Mitrovich et al.	
2004/0179887	A1	9/2004	Hui et al.	
2004/0238282	A1	12/2004	Mitrovich	
2006/0264336	A1	11/2006	Hui	

2007/0135315	A1 *	6/2007	Mitrovich .....	C10M 169/04 508/100
2007/0142236	A1 *	6/2007	Mitrovich .....	B82Y 30/00 508/100
2018/0127676	A1 *	5/2018	Lahouij .....	C10M 141/10

OTHER PUBLICATIONS

“MPL Technology Stick Design”, MPL Innovations, Inc., Mar. 2014, 1 page.  
 “Non-Final Office Action”, U.S. Appl. No. 10/812,666, dated Jan. 5, 2006, 9 pages.  
 “Non-Final Office Action”, U.S. Appl. No. 10/812,666, dated Sep. 20, 2005, 5 pages.  
 Pursuant to MPEP § 2001.6(b) applicants bring the following co-pending applications to the Examiner’s attention: U.S. Appl. No. 29/627,908 and U.S. Appl. No. 29/627,921.  
 “Non-Final Office Action”, U.S. Appl. No. 29/627,921, dated May 29, 2019, 4 pages.  
 “Non-Final Office Action”, U.S. Appl. No. 29/627,908, dated May 29, 2019, 5 pages.

\* cited by examiner

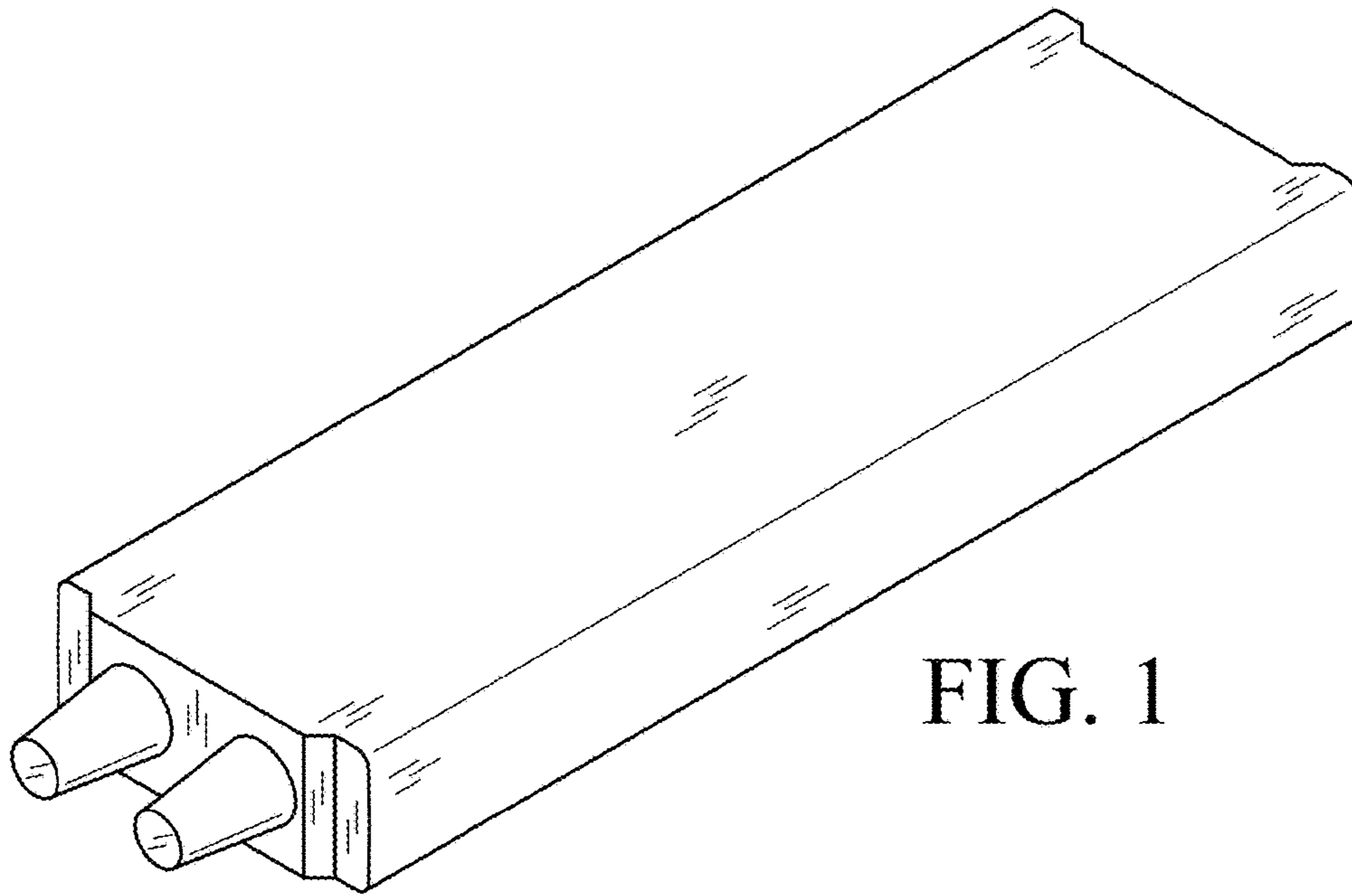


FIG. 1

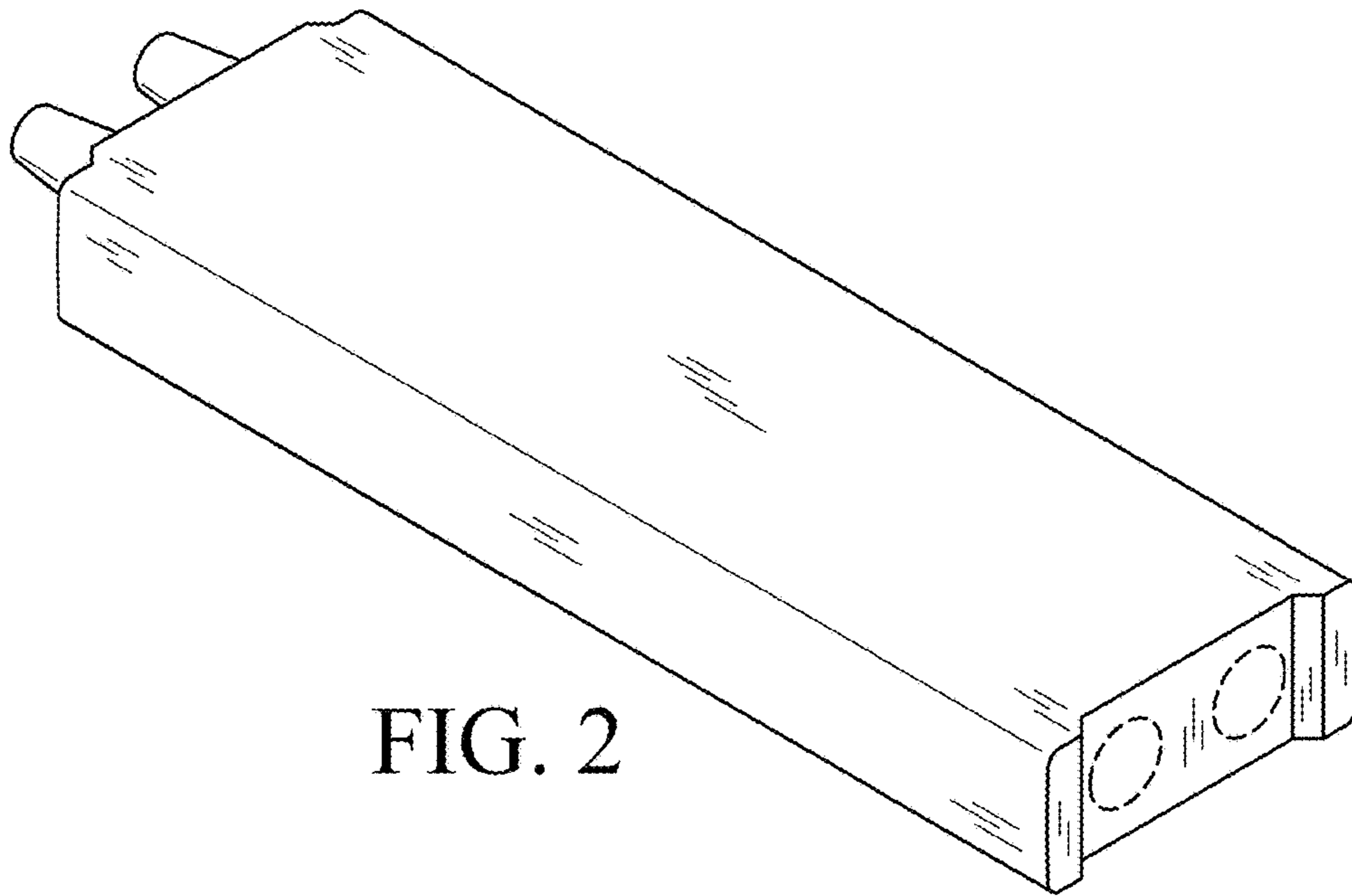


FIG. 2

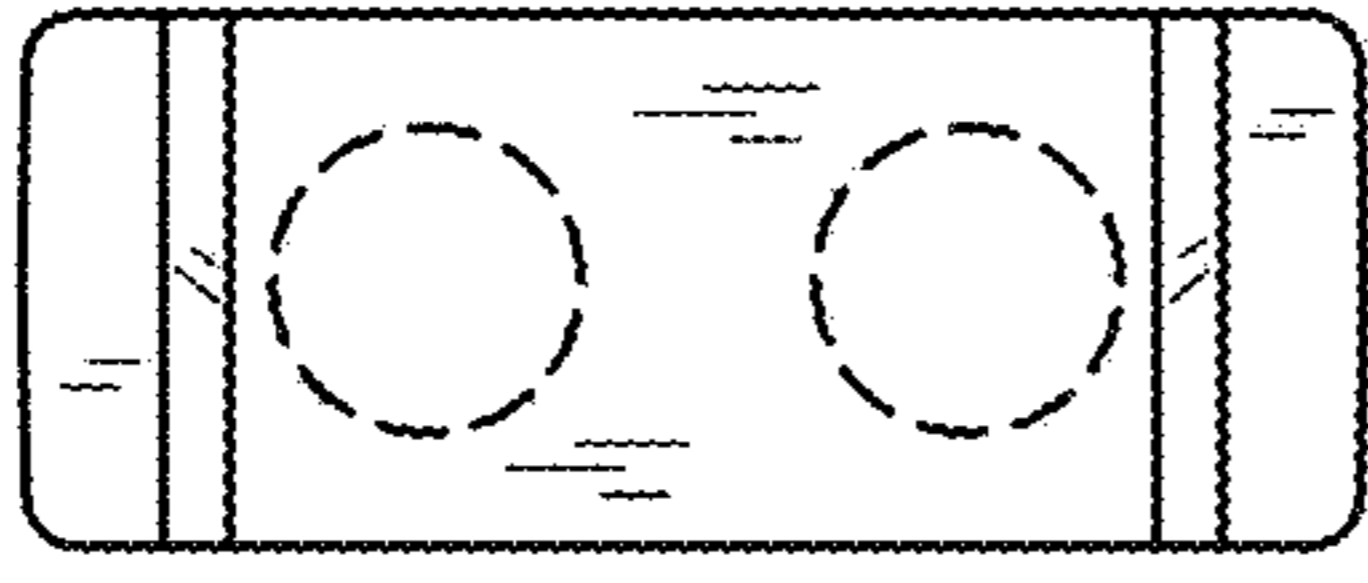


FIG. 6

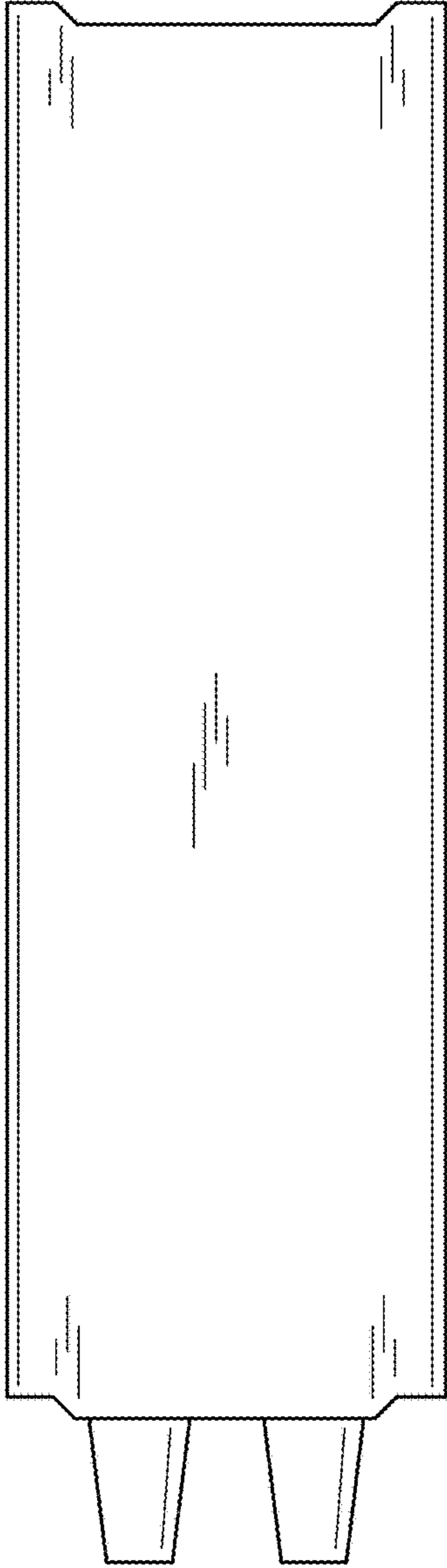


FIG. 3

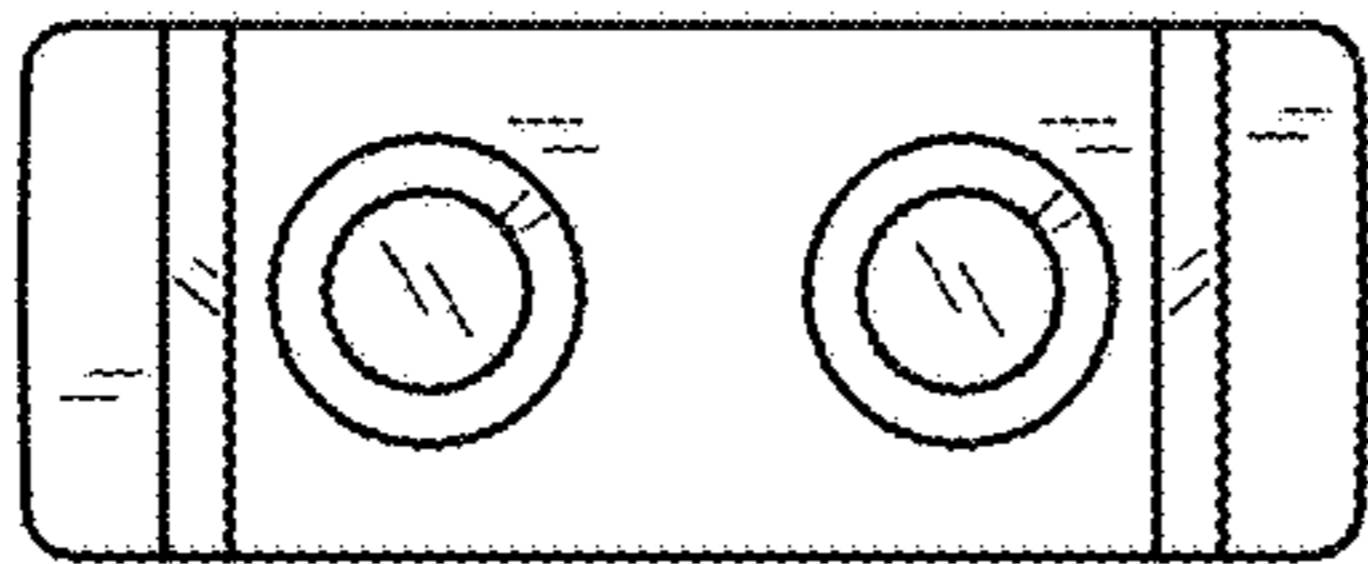


FIG. 5

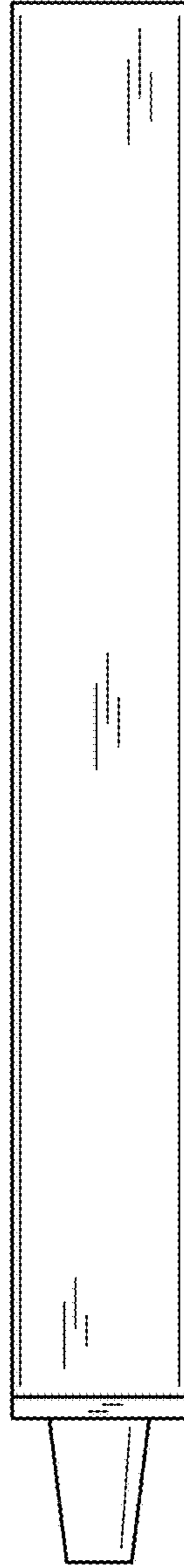


FIG. 4