

US00D864268S

(12) **United States Design Patent**
Shen

(10) **Patent No.:** **US D864,268 S**

(45) **Date of Patent:** **** Oct. 22, 2019**

(54) **LINEAR ACTUATOR**

(71) Applicant: **TIMOTION TECHNOLOGY CO., LTD.**, New Taipei (TW)

(72) Inventor: **Bo-Yen Shen**, New Taipei (TW)

(73) Assignee: **TIMOTION TECHNOLOGY CO., LTD.**, New Taipei (TW)

(**) Term: **15 Years**

(21) Appl. No.: **29/662,109**

(22) Filed: **Sep. 1, 2018**

(51) **LOC (12) Cl.** **15-09**

(52) **U.S. Cl.**
USPC **D15/148**

(58) **Field of Classification Search**
USPC D13/158, 160; D15/143, 148, 199
CPC F15B 15/00; F15B 15/12; F15B 15/065;
H02K 5/24; H02K 7/00; H02K 19/06;
H02K 26/00; H02K 33/00; H02K 33/16;
H02K 37/00

See application file for complete search history.

(56) **References Cited**

U.S. PATENT DOCUMENTS

D467,950 S	*	12/2002	Christensen	D15/148
D523,880 S	*	6/2006	Christensen	D15/143
D620,961 S	*	8/2010	Iversen	D15/143
D624,101 S	*	9/2010	Tseng	D15/143
D635,219 S	*	3/2011	Funari	D23/233

D635,600 S	*	4/2011	Wu	D15/143
D686,257 S	*	7/2013	Wu	D15/143
D695,798 S	*	12/2013	Wu	D15/143
D695,799 S	*	12/2013	Landerholm	D15/143
D719,595 S	*	12/2014	Landerholm	D15/143
D727,714 S	*	4/2015	Gherlenda	D8/331
D776,729 S	*	1/2017	Wu	D15/143
D800,195 S	*	10/2017	Lin	D15/148
D806,151 S	*	12/2017	Landerholm	D15/143
D839,937 S	*	2/2019	Zhuang	D15/143
D851,147 S	*	6/2019	Knudsen	D15/148
D852,248 S	*	6/2019	Zhuang	D15/148

* cited by examiner

Primary Examiner — Patricia A Palasik

(74) *Attorney, Agent, or Firm* — Chun-Ming Shih; HDLS IPR Services

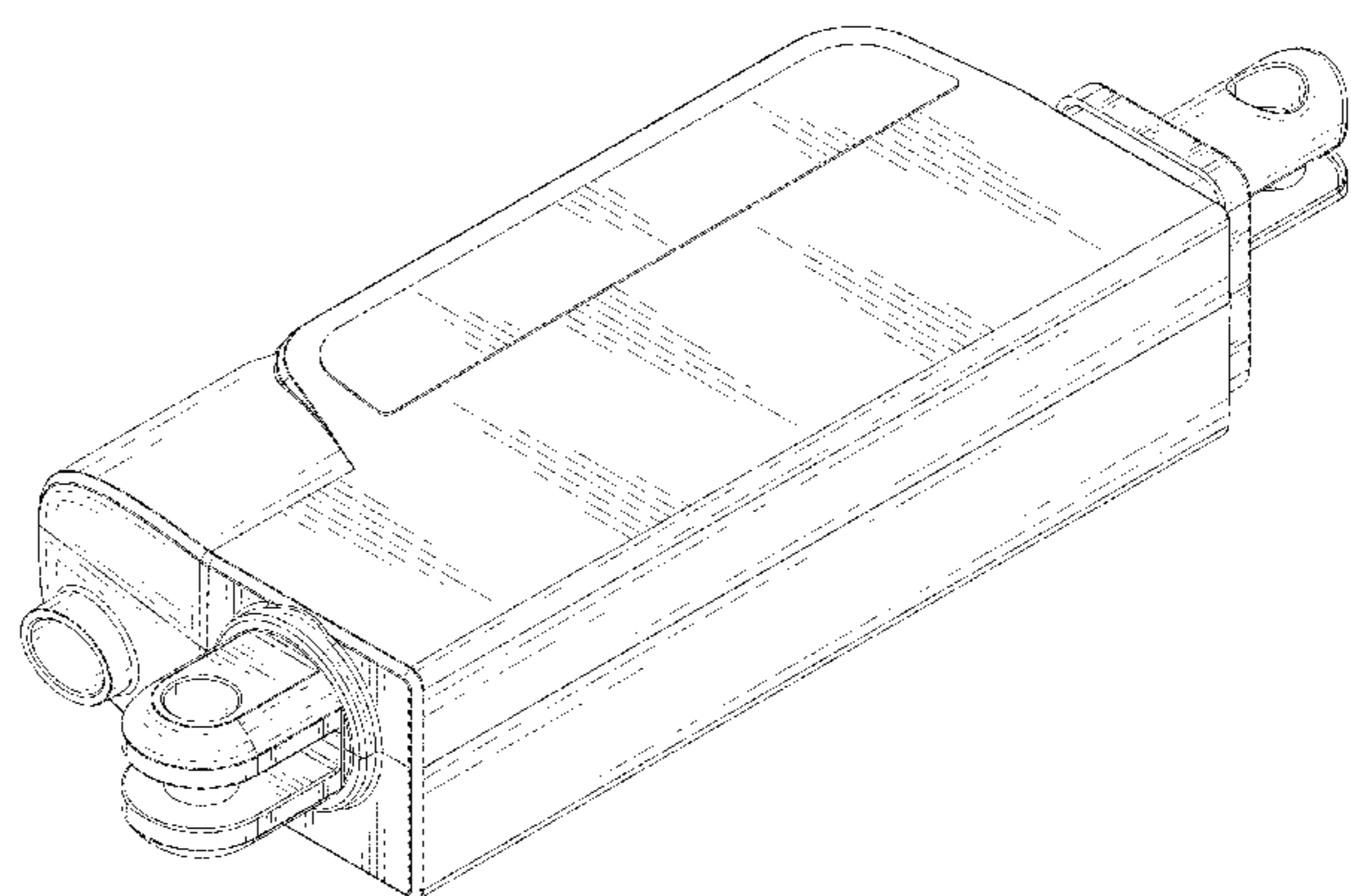
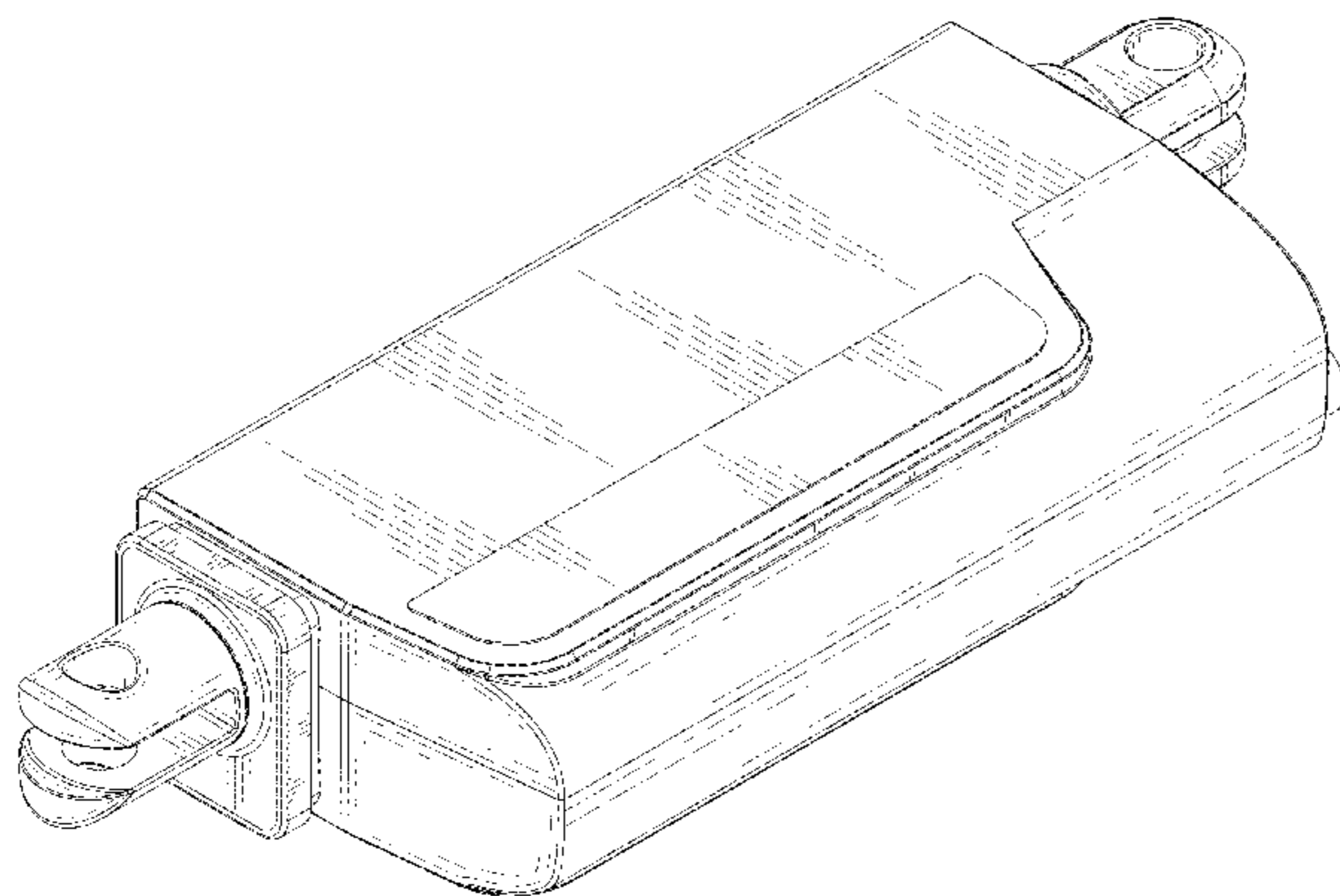
(57) **CLAIM**

The ornamental design for a linear actuator, as shown and described.

DESCRIPTION

FIG. 1 is a perspective view of a linear actuator showing my new design;
FIG. 2 is a front view thereof;
FIG. 3 is a rear view thereof;
FIG. 4 is a left side view thereof;
FIG. 5 is a right side view thereof;
FIG. 6 is a top view thereof;
FIG. 7 is a bottom view thereof; and,
FIG. 8 is a second perspective view showing the linear actuator.

1 Claim, 8 Drawing Sheets



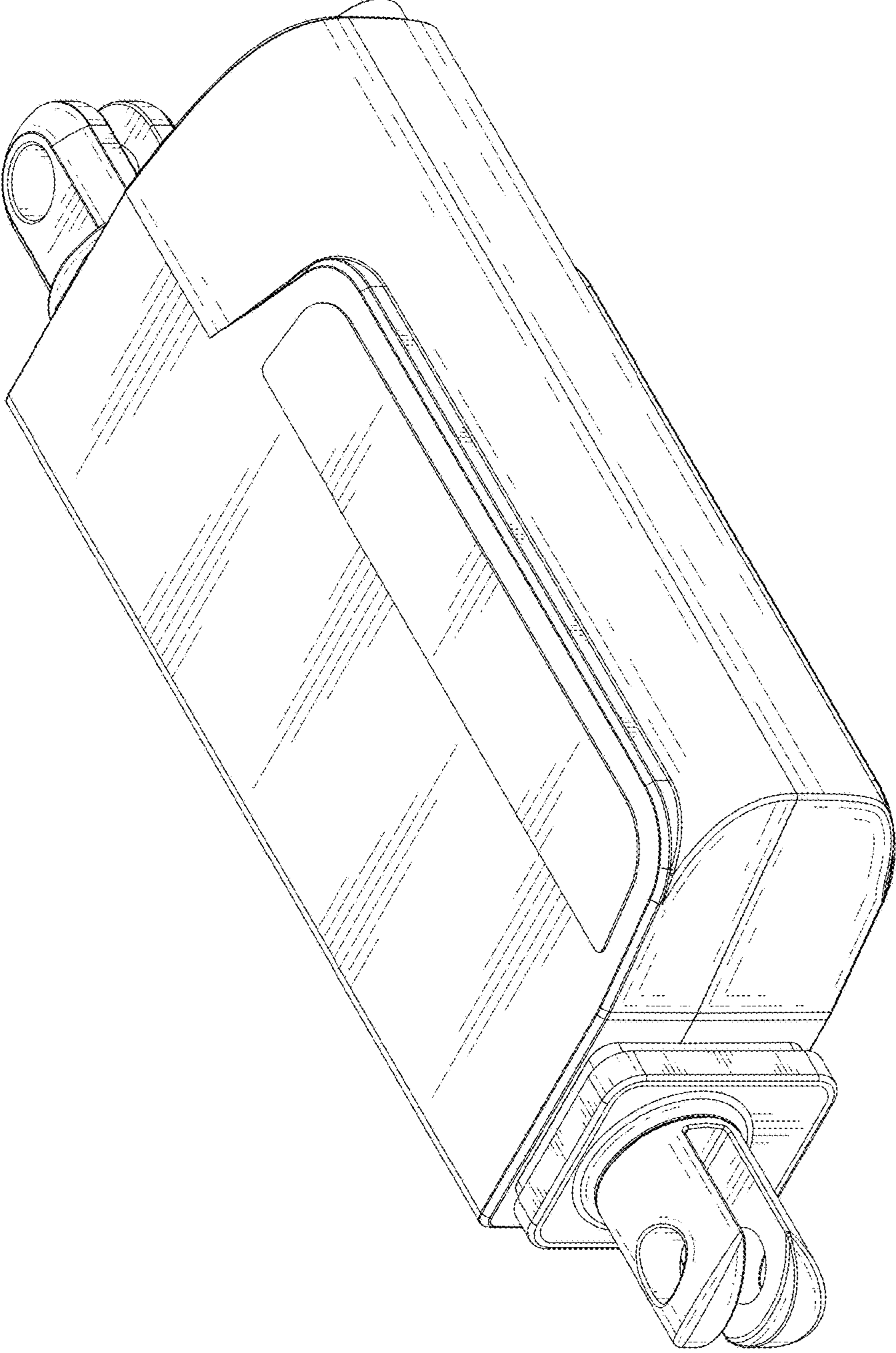


FIG.1

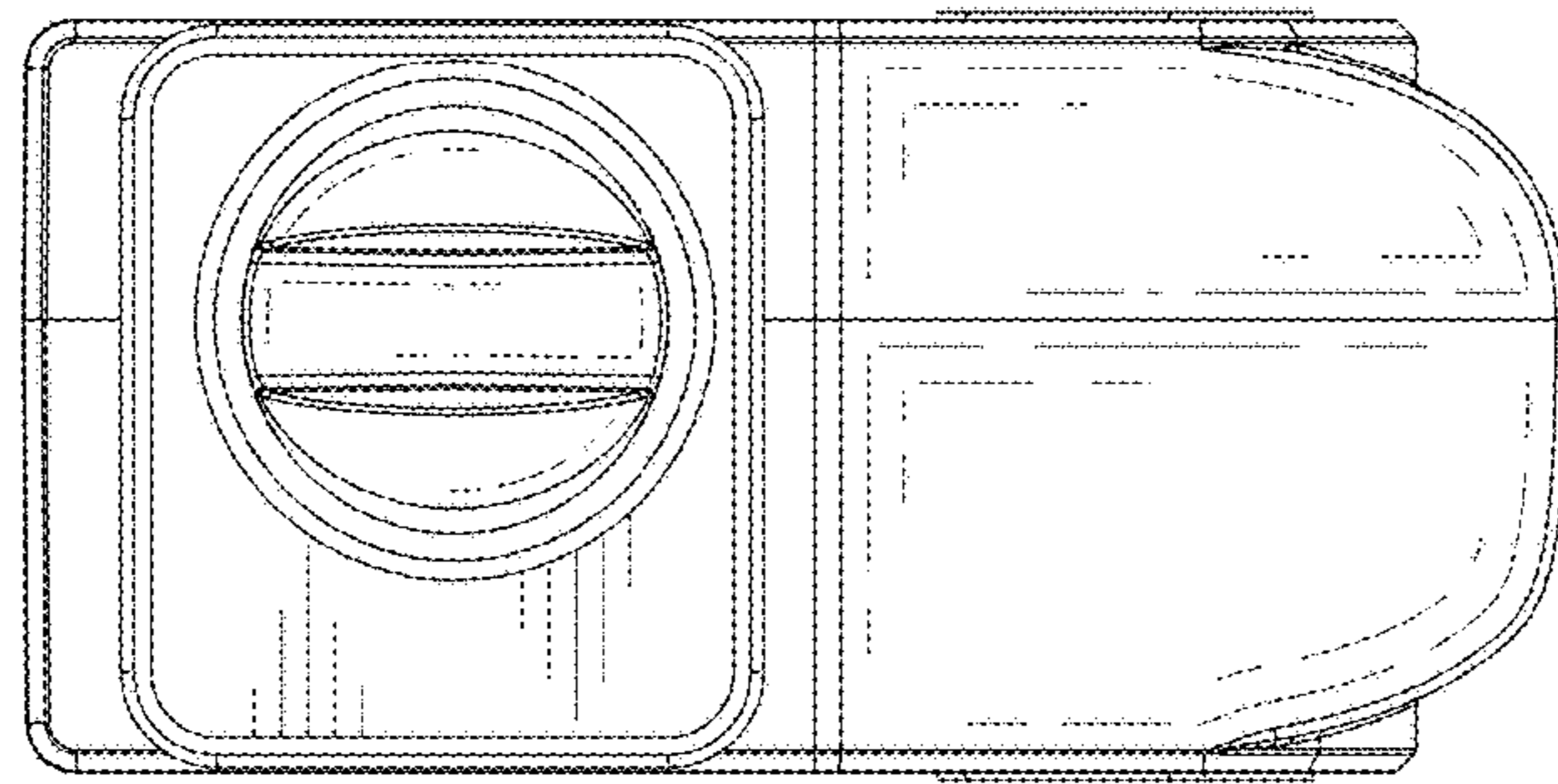


FIG.2

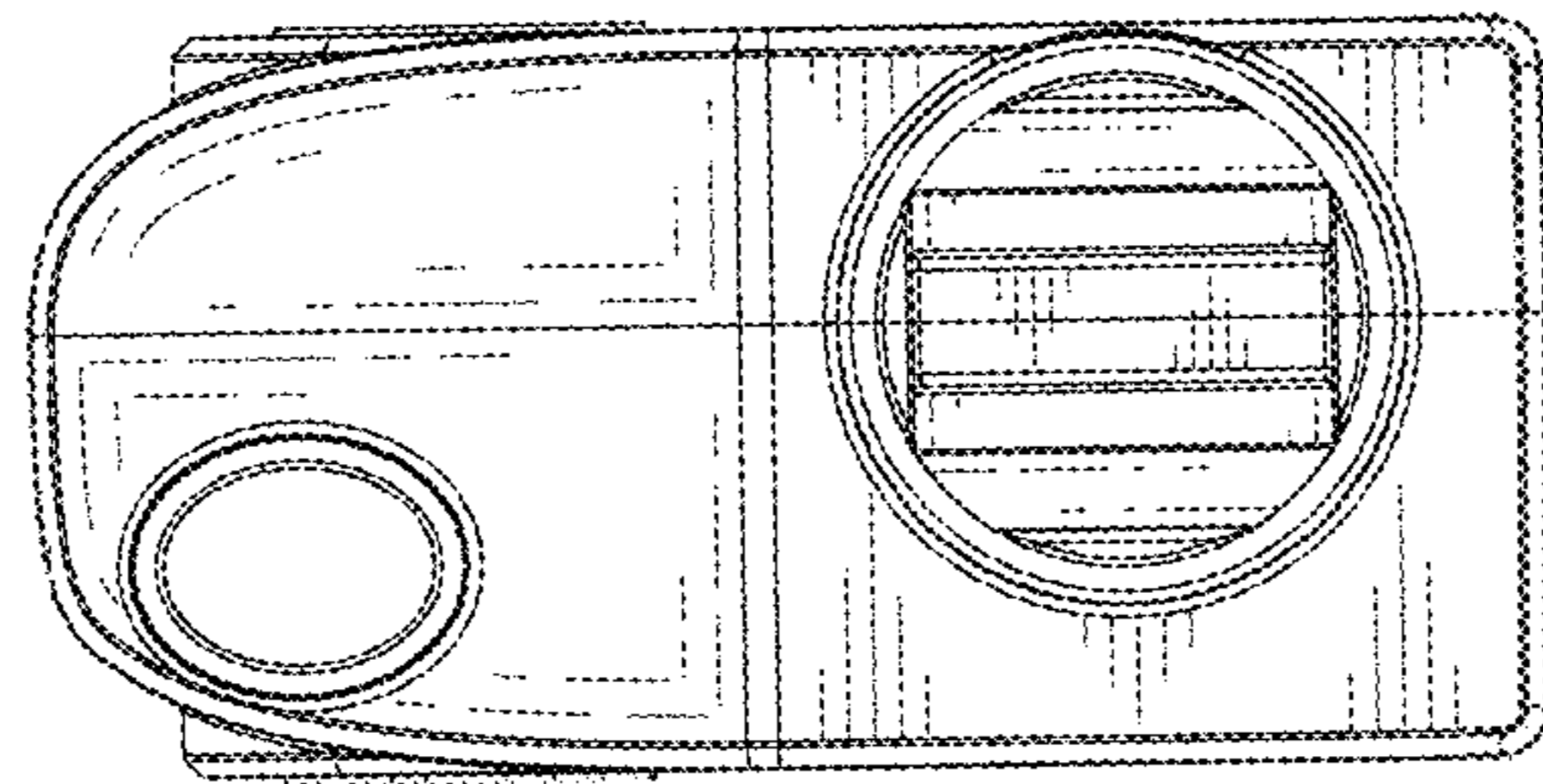


FIG.3

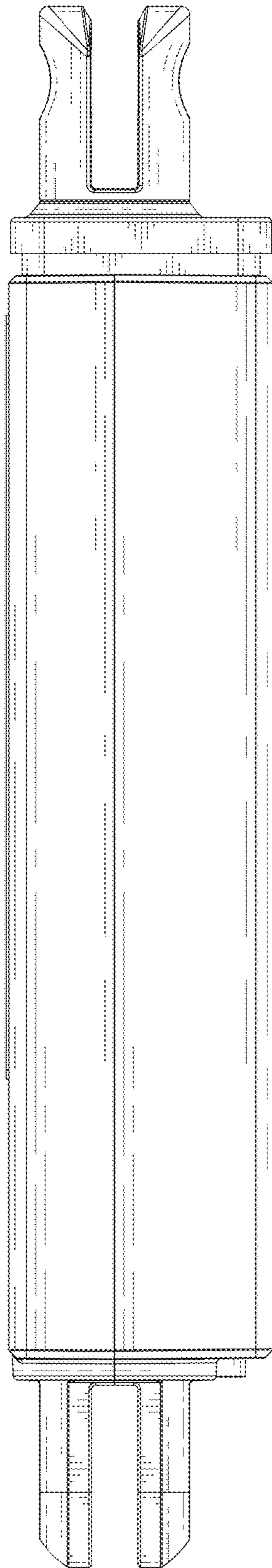


FIG.4

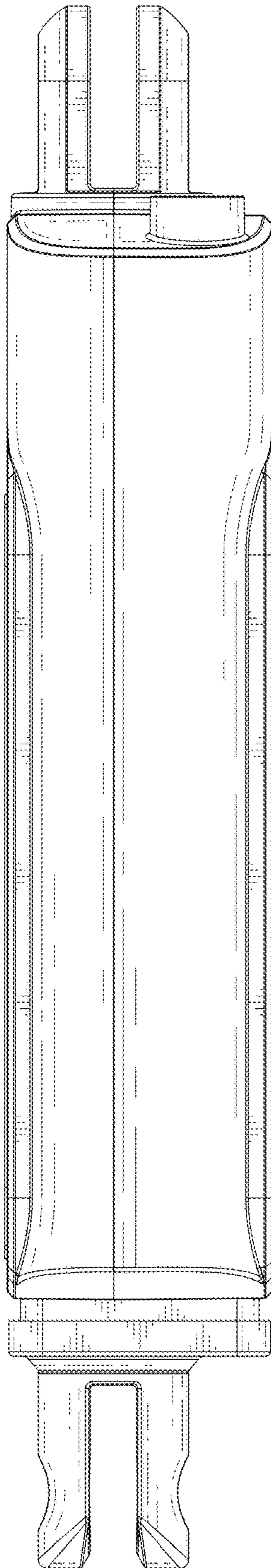


FIG.5

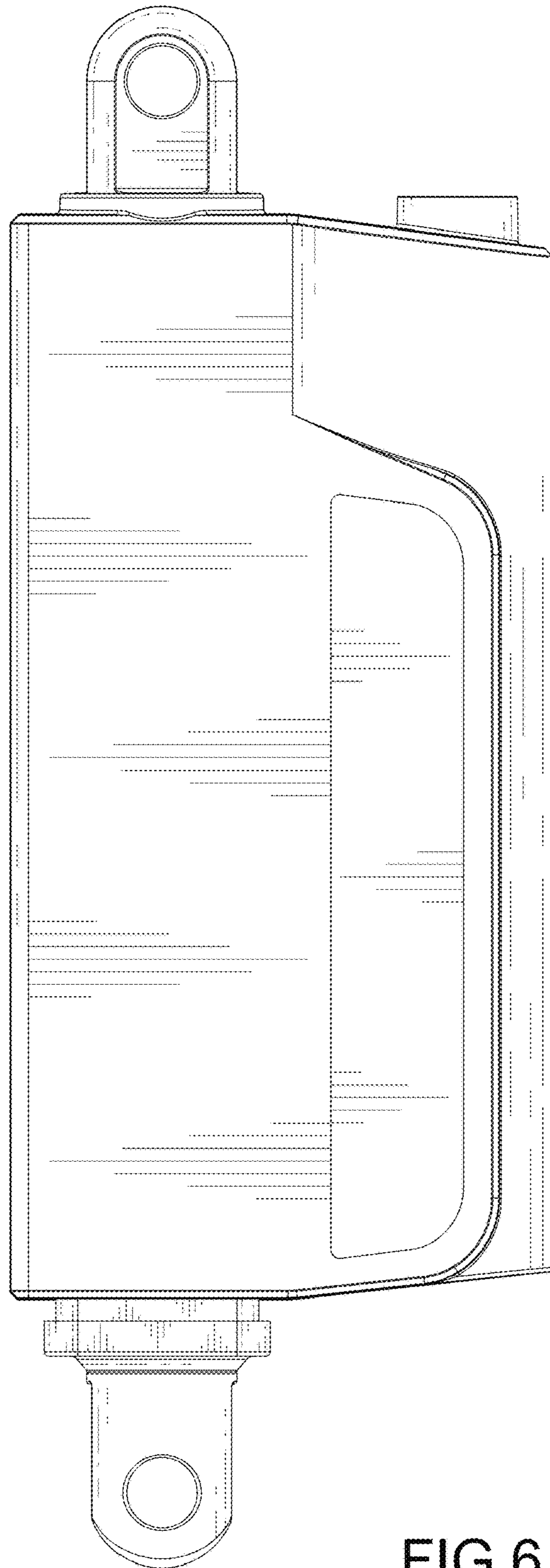


FIG.6

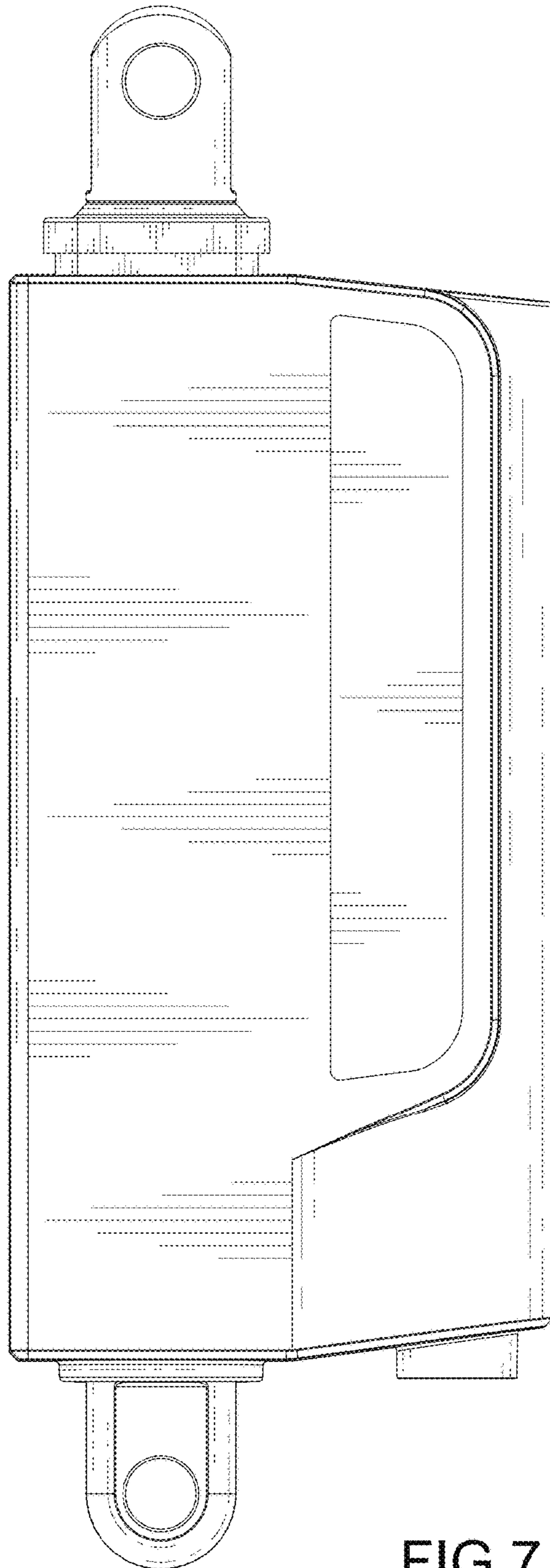


FIG.7

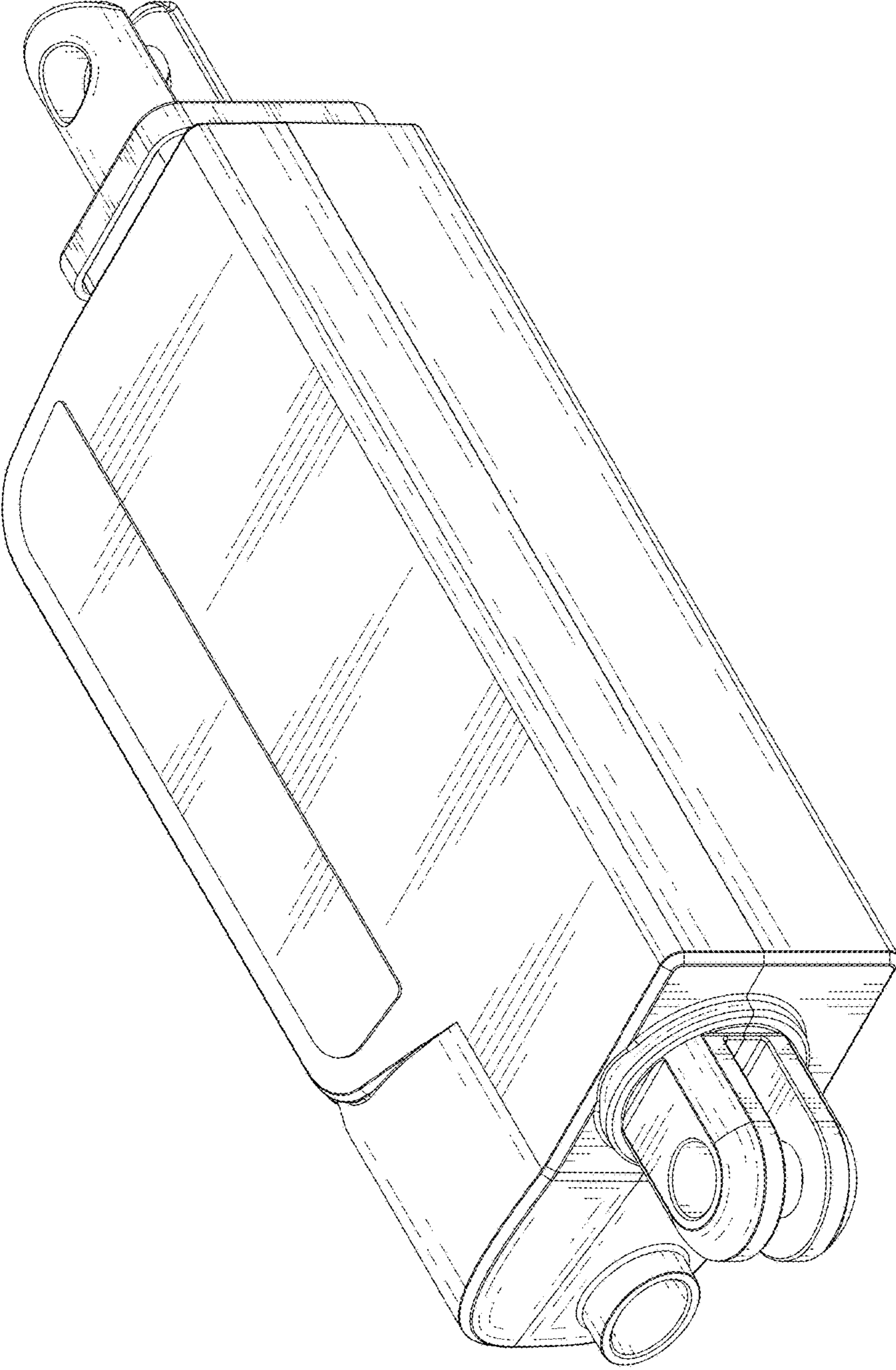


FIG.8