

US00D864266S

(12) **United States Design Patent**
Chi

(10) **Patent No.:** **US D864,266 S**

(45) **Date of Patent:** **** Oct. 22, 2019**

(54) **HEAT MODULE FOR A HEAT PRESS**

D361,337 S * 8/1995 Hardy D15/123
5,710,414 A * 1/1998 Matsen B21D 26/021
219/633

(71) Applicant: **PROGRESS Y&Y CORP.**, New Taipei
(TW)

* cited by examiner

(72) Inventor: **Ming-Chih Chi**, New Taipei (TW)

Primary Examiner — Garth Rademaker

Assistant Examiner — Fitzgerald L Butac

(73) Assignee: **PROGRESS Y&Y CORP.**, New Taipei
(TW)

(74) *Attorney, Agent, or Firm* — Guice Patents PLLC

(**) Term: **15 Years**

(57) **CLAIM**

The ornamental design for a heating module for a heat press,
as shown and described.

(21) Appl. No.: **29/619,479**

DESCRIPTION

(22) Filed: **Sep. 29, 2017**

(51) **LOC (12) Cl.** **15-99**

(52) **U.S. Cl.**
USPC **D15/146**

(58) **Field of Classification Search**
USPC D8/29.1; D10/83; D13/123, 133;
D15/122, 126, 128, 135, 136, 140, 144,
D15/144.1, 144.2, 146
CPC A61K 36/37; A61K 36/185; B30B 9/047;
B30B 15/34
See application file for complete search history.

FIG. 1 is a perspective view showing my new design for a heating module for a heat press;
FIG. 2 is a front elevation view thereof;
FIG. 3 is a rear elevation view thereof;
FIG. 4 is a left side elevation view thereof;
FIG. 5 is a right side elevation view thereof;
FIG. 6 is a top plan view thereof;
FIG. 7 is a bottom plan view thereof;
FIG. 8 is a perspective view showing from the bottom thereof;
FIG. 9 is a perspective view showing the status of use; and,
FIG. 10 is a perspective view showing another status of use.
The broken lines seen in FIG. 7 show portions of a heating module for a heat press that form no part of the claimed design.

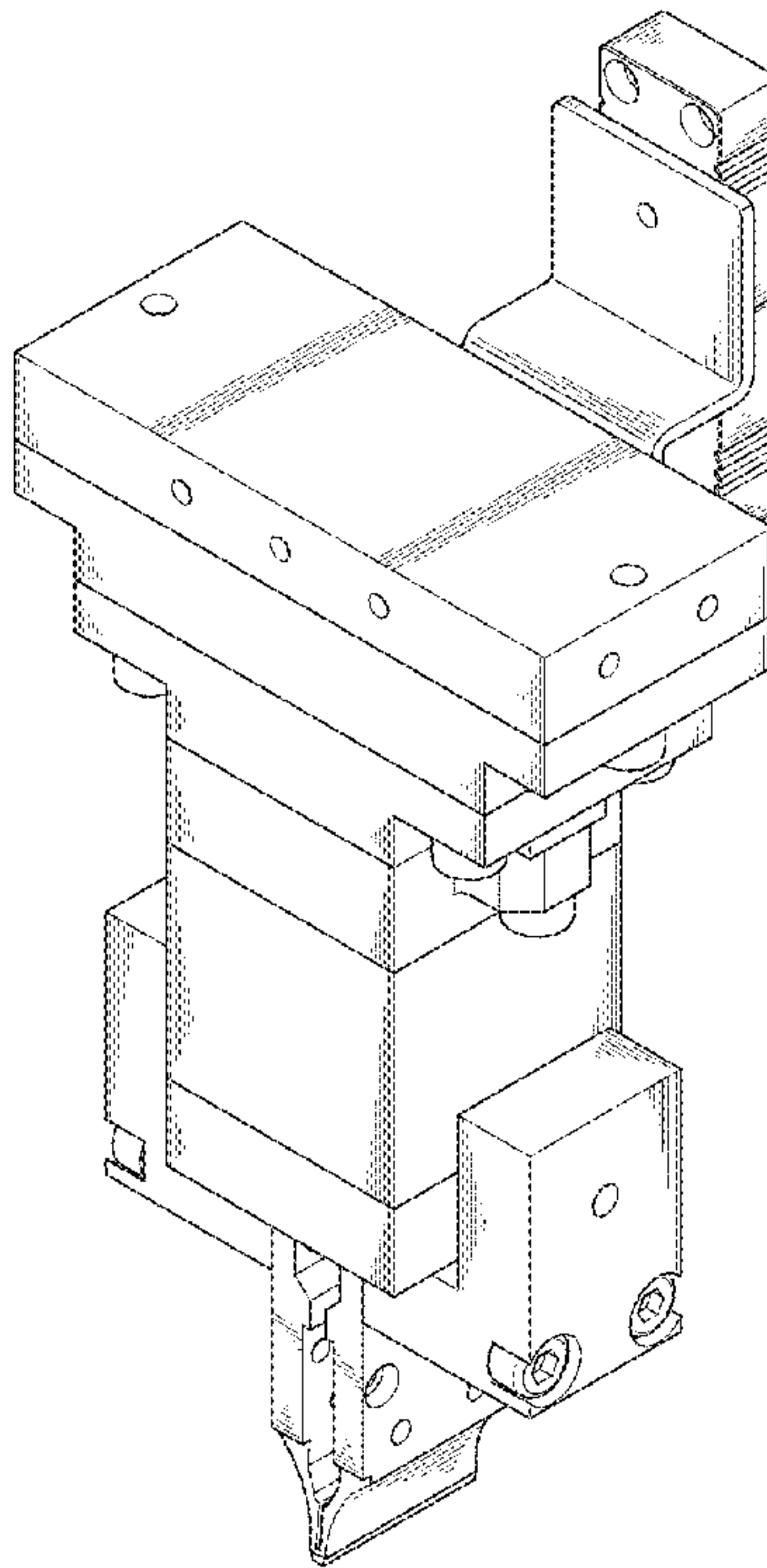
The broken lines in FIGS. 9 and 10 are for the purpose of showing environmental structure, and form no part of the claimed design.

(56) **References Cited**

U.S. PATENT DOCUMENTS

D277,386 S * 1/1985 Yamada D15/146
D277,864 S * 3/1985 Hoffman, Jr. D15/128
D340,937 S * 11/1993 Seger D15/146
D354,303 S * 1/1995 Noonan D18/15

1 Claim, 9 Drawing Sheets



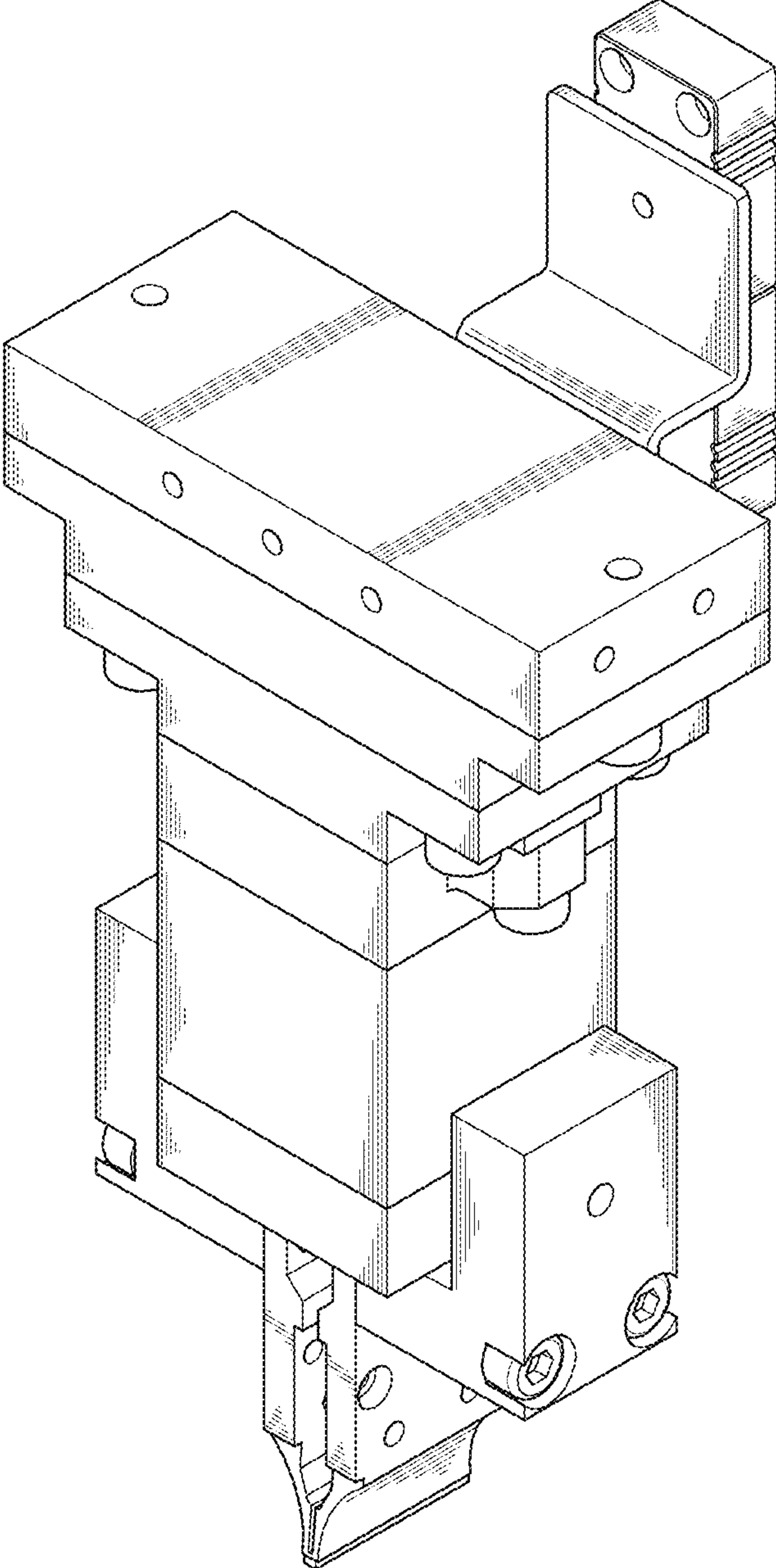


FIG.1

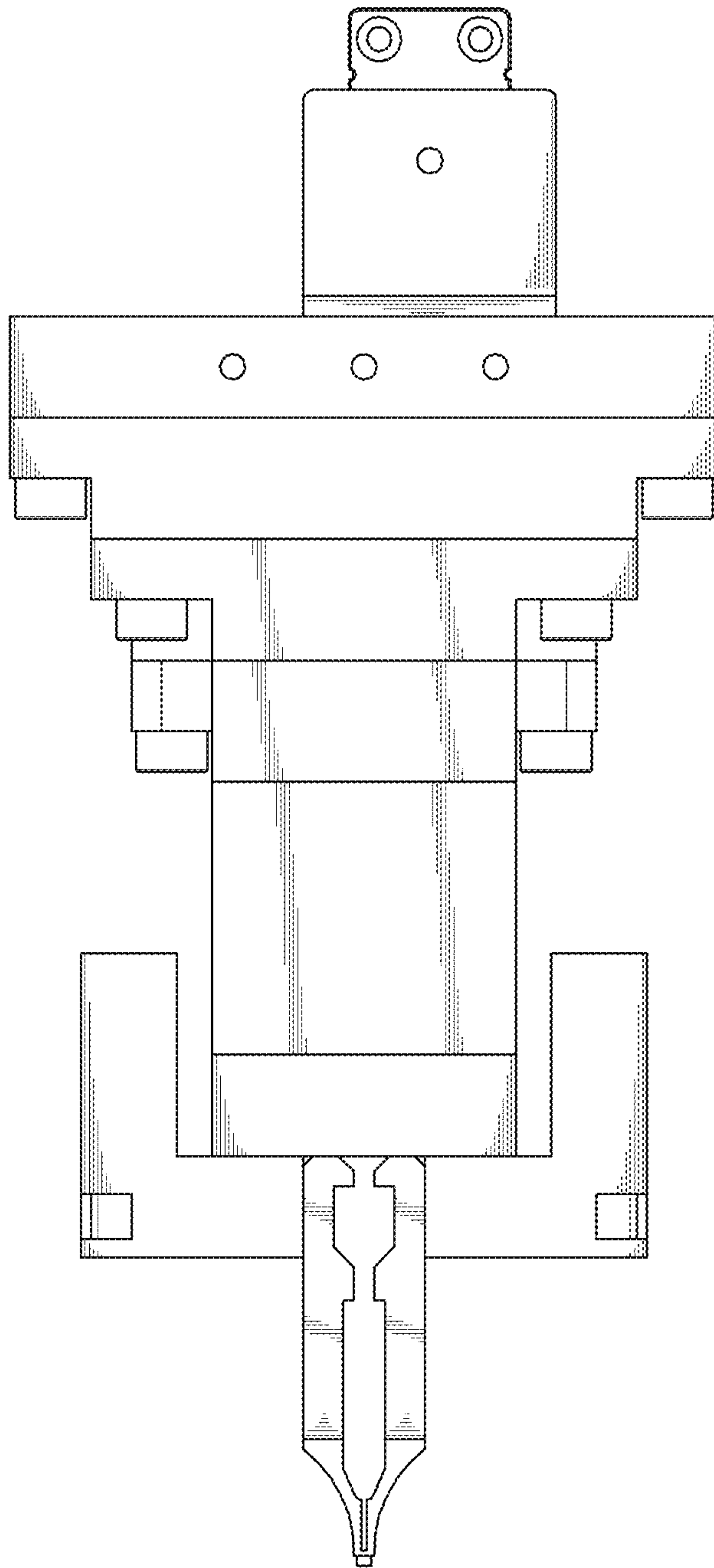


FIG.2

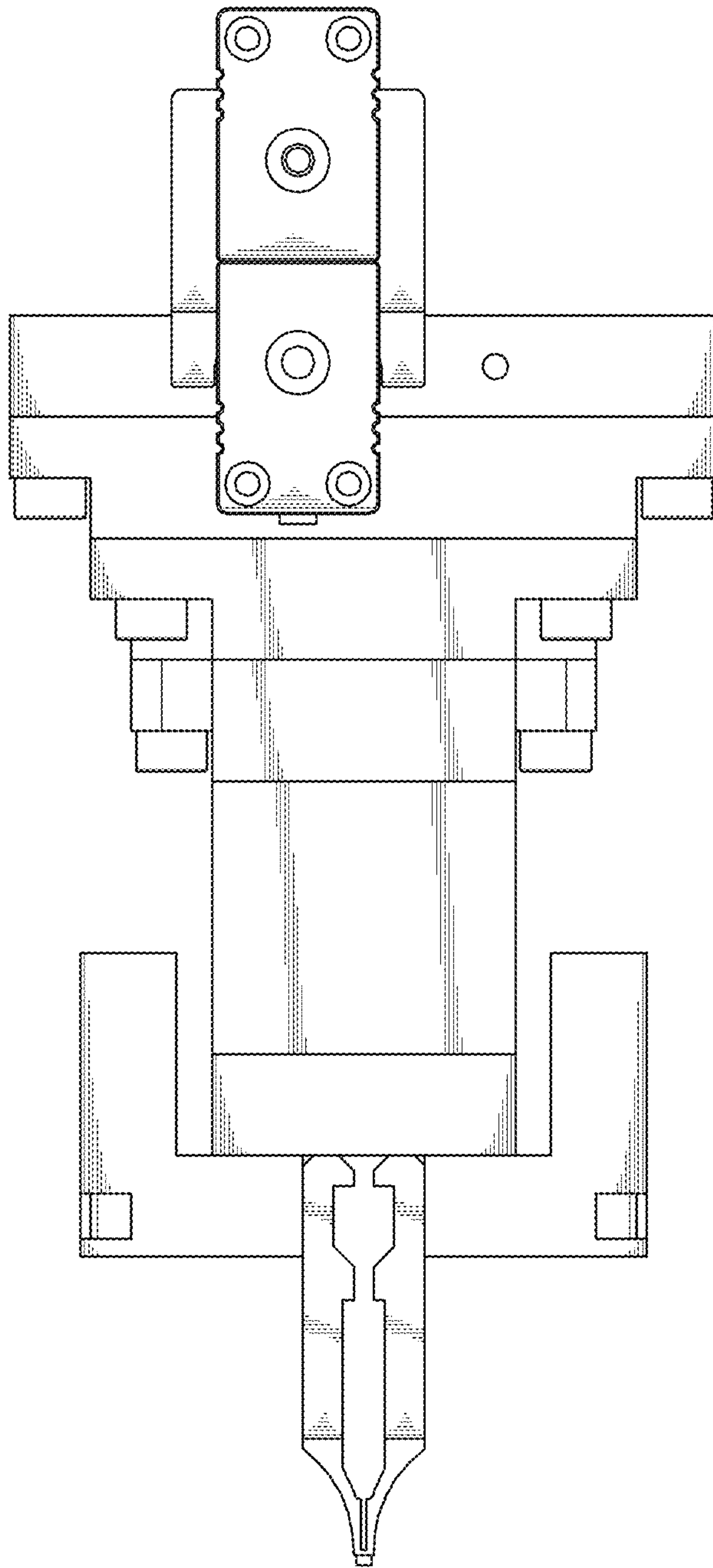


FIG.3

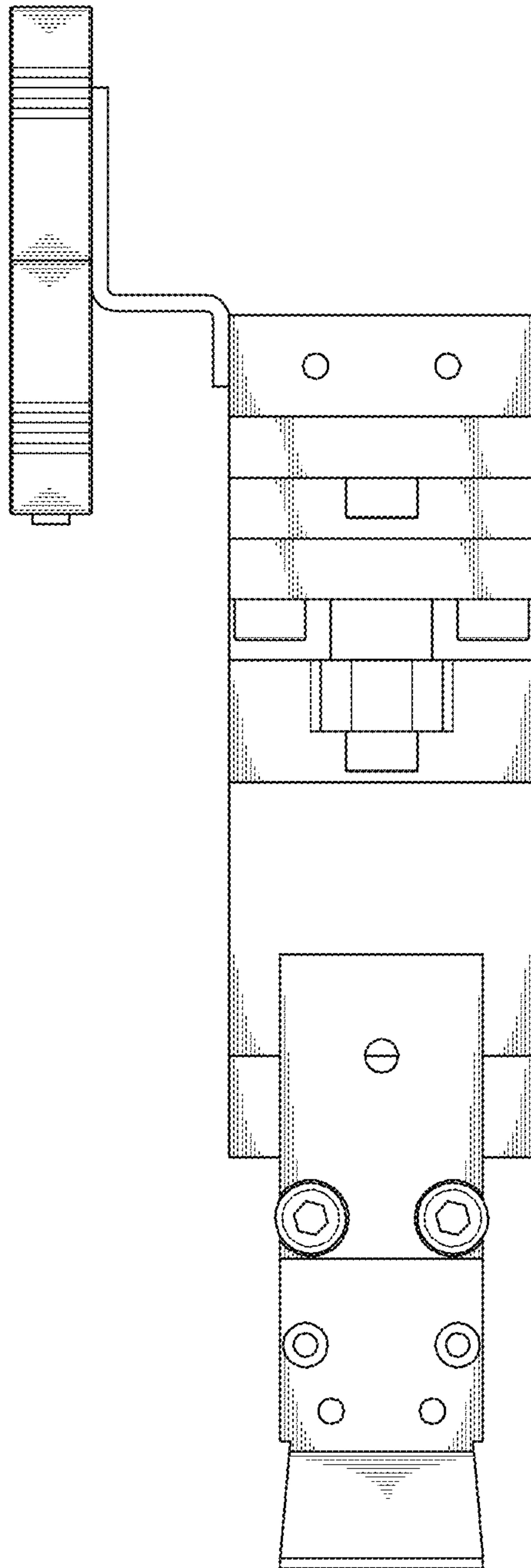


FIG. 4

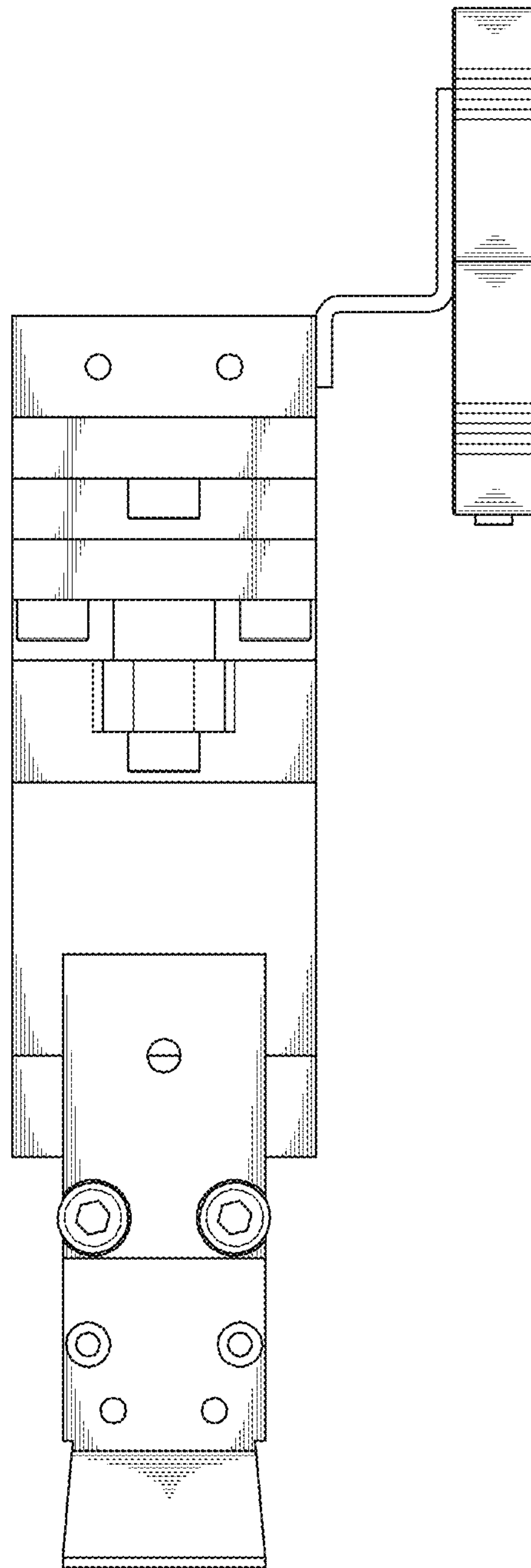


FIG.5

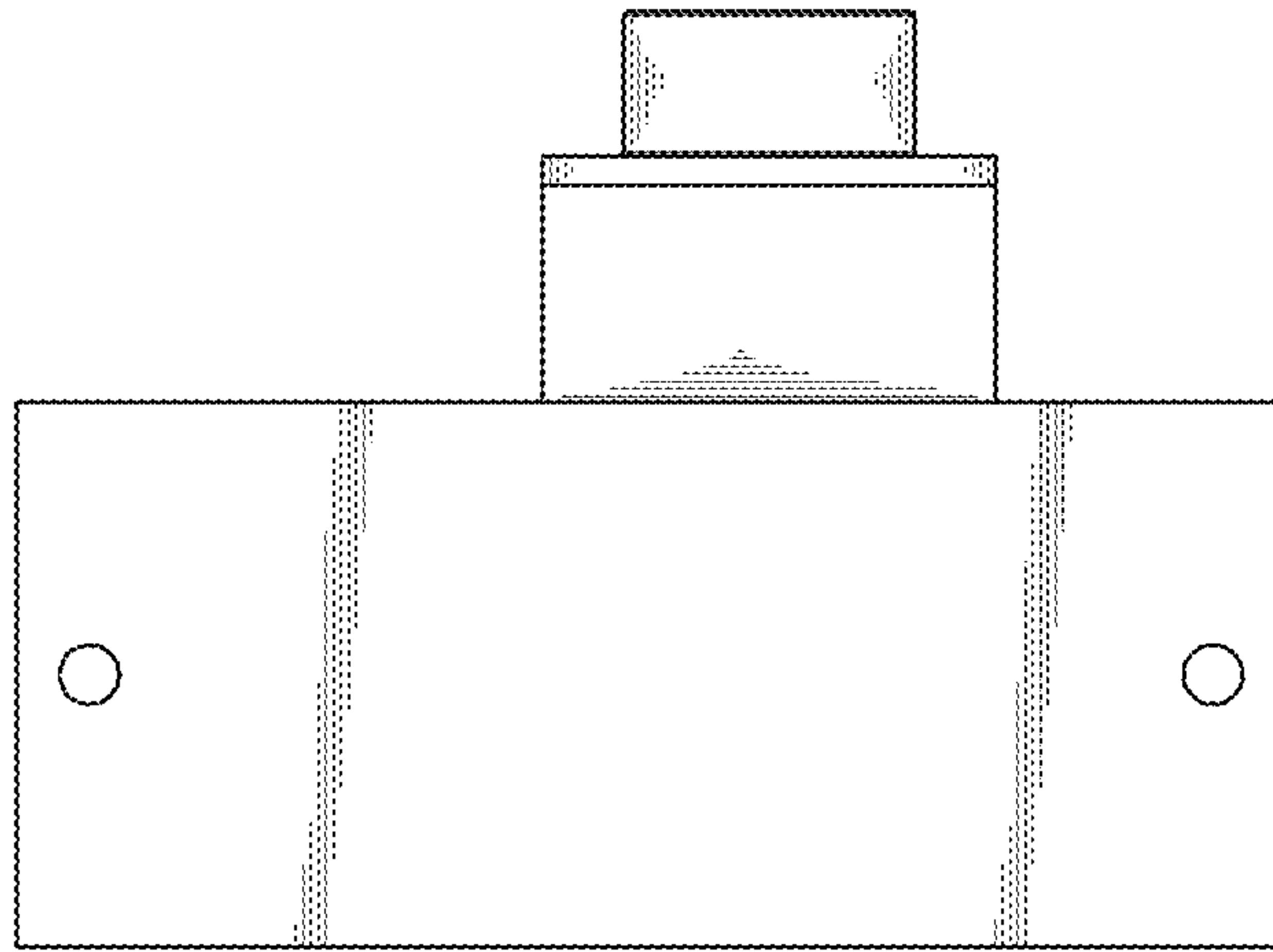


FIG. 6

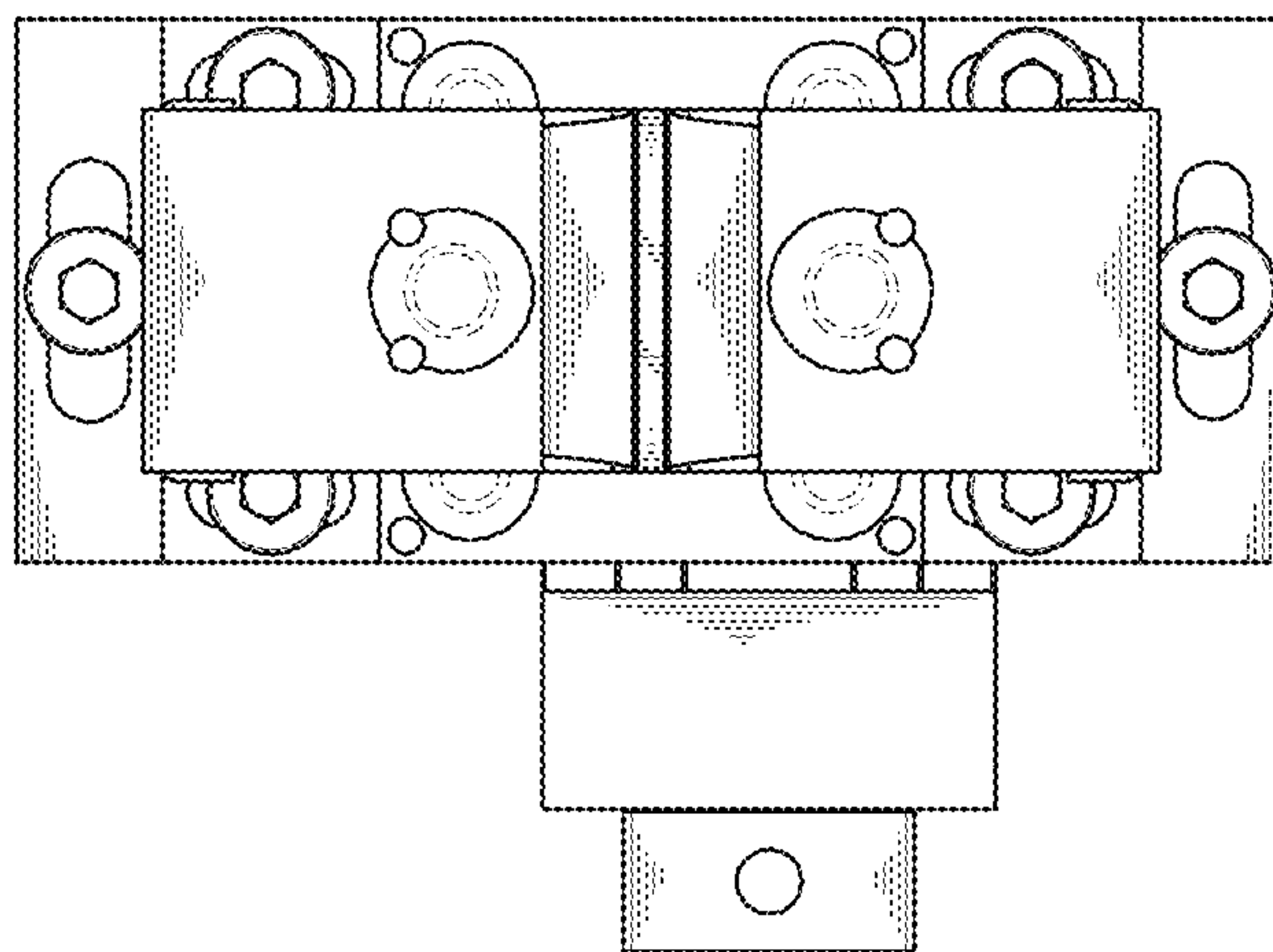


FIG. 7

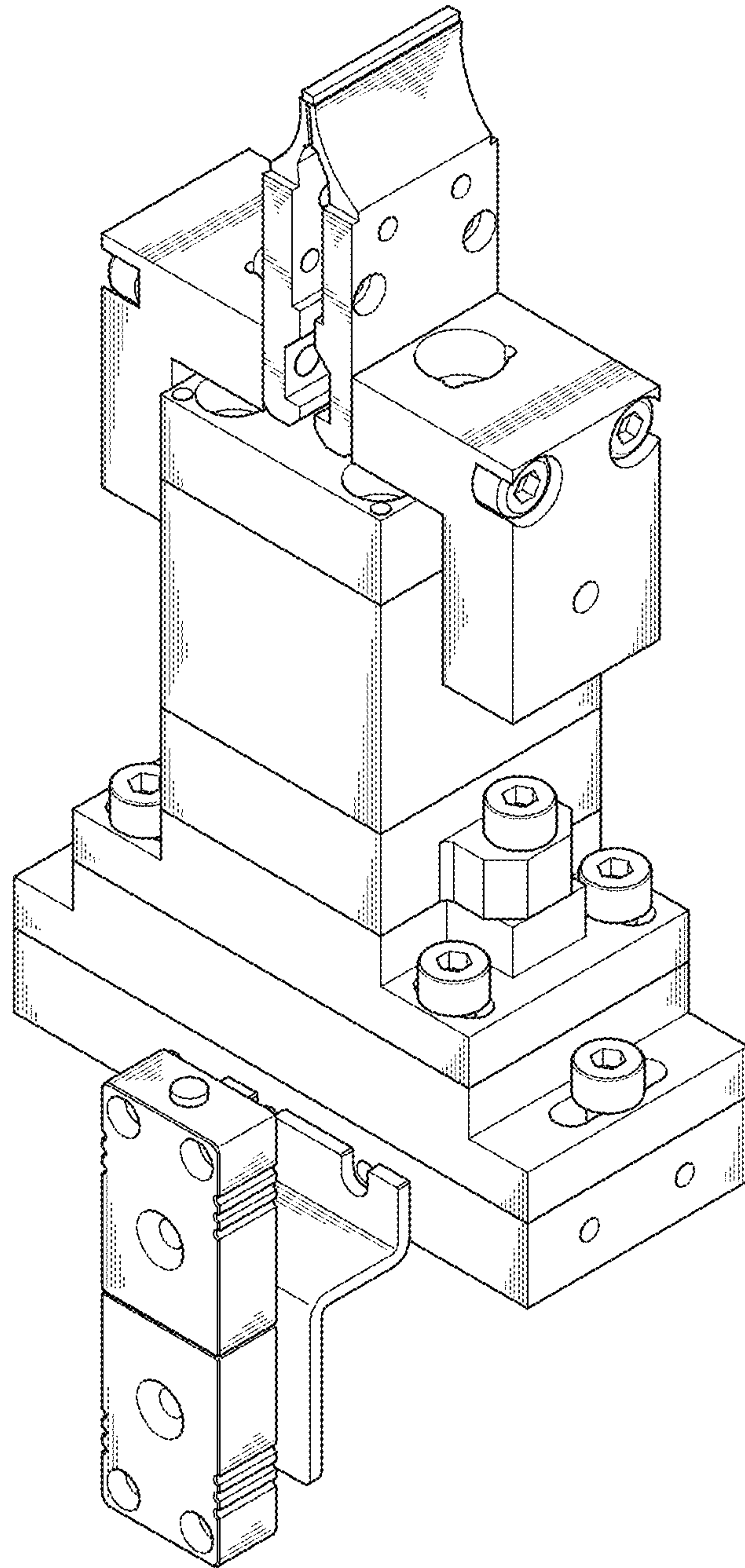


FIG.8

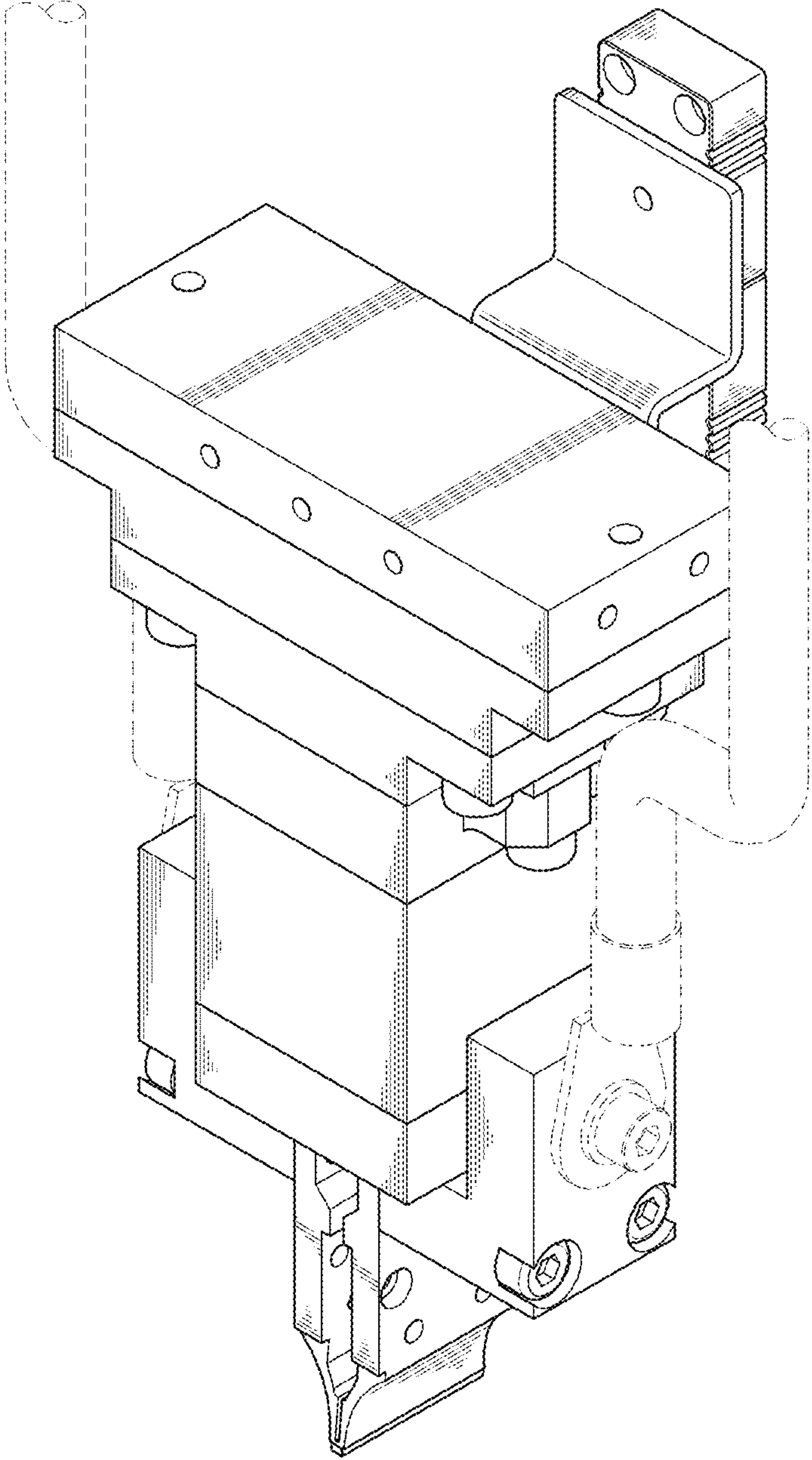


FIG.9

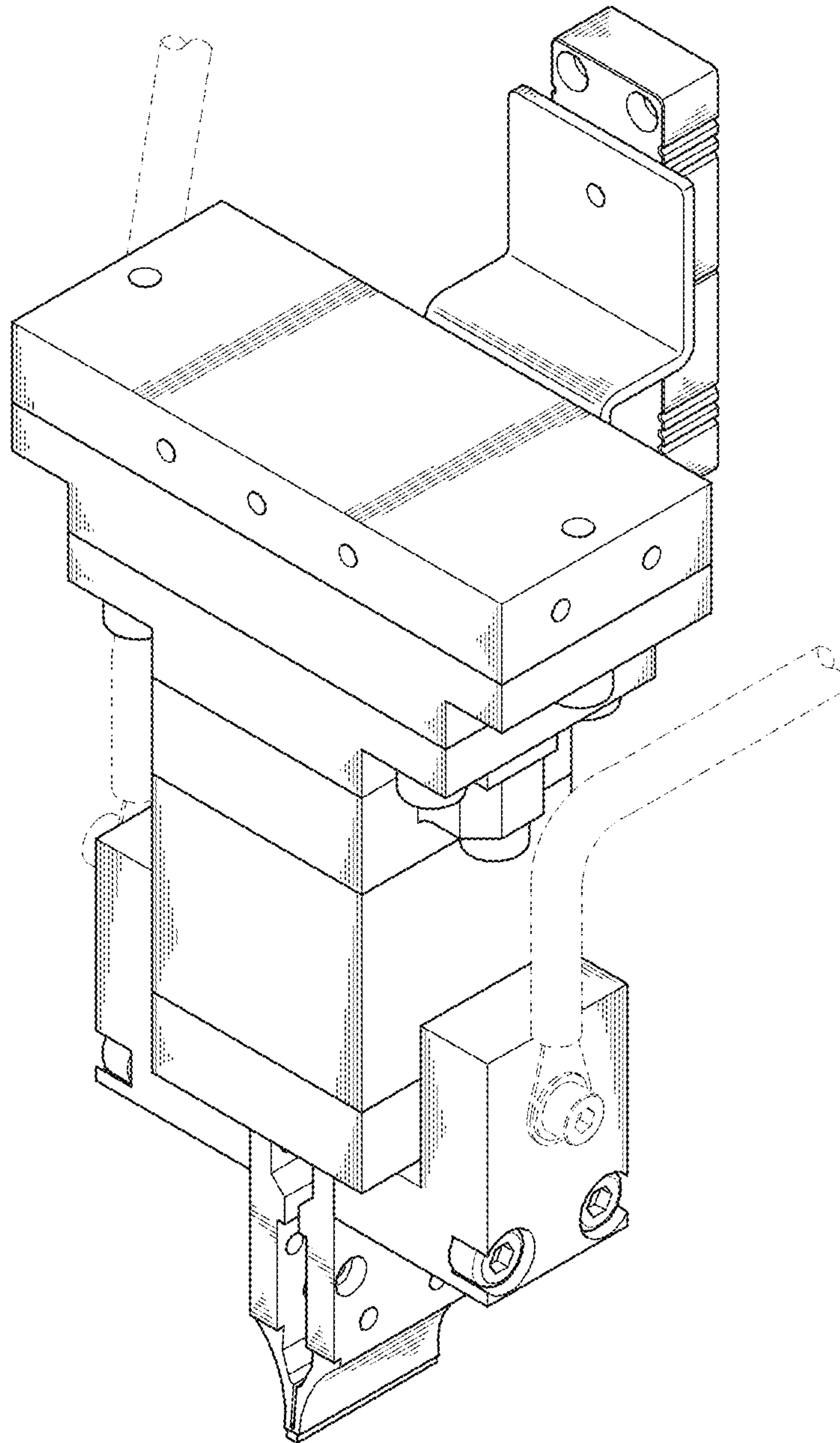


FIG.10