



US00D864265S

(12) **United States Design Patent** (10) **Patent No.:** **US D864,265 S**
Myers (45) **Date of Patent:** **** Oct. 22, 2019**

(54) **DUST CATCHER**
(71) Applicant: **The Dust Catcher, Inc.**, Dunedin, FL (US)
(72) Inventor: **Patrick Myers**, Dunedin, FL (US)
(73) Assignee: **The Dust Catcher, Inc.**, Dunedin, FL (US)
(**) Term: **15 Years**
(21) Appl. No.: **29/695,398**
(22) Filed: **Jun. 19, 2019**
(51) **LOC (12) Cl.** **15-09**
(52) **U.S. Cl.**
USPC **D15/138; D8/70**
(58) **Field of Classification Search**
USPC D8/62, 70; D15/124, 125, 126, 132, 133, D15/138; D32/74
CPC B23B 45/00; B23B 51/0054; B23B 2260/058; B23B 2260/126; B23B 2270/30; B23Q 11/0067; B23Q 11/0071; Y10T 408/50
See application file for complete search history.

D527,965 S * 9/2006 Aglassinger D8/62
D543,563 S 5/2007 Skradski et al.
D546,156 S 7/2007 Aglassinger et al.
D573,615 S 7/2008 McDaniel
D589,318 S 3/2009 Meyer
D614,678 S * 4/2010 Jorgensen D15/138
8,066,554 B2 * 11/2011 Yamashiro B23Q 11/0042 451/357
D717,844 S 11/2014 Cappuccio
D742,710 S * 11/2015 Wiedemann D8/70
D743,230 S * 11/2015 Wiedemann D8/70
D795,317 S * 8/2017 Wenning D15/138
D803,916 S * 11/2017 Dammkoehler D15/138
D818,788 S * 5/2018 Dammkoehler D8/70
D835,166 S 12/2018 Falk
2005/0037699 A1 * 2/2005 Park B24B 23/00 451/344

* cited by examiner

Primary Examiner — Patricia A Palasik
(74) *Attorney, Agent, or Firm* — Larson & Larson, P.A.; Justin P. Miller; Frank Liebenow

(57) **CLAIM**

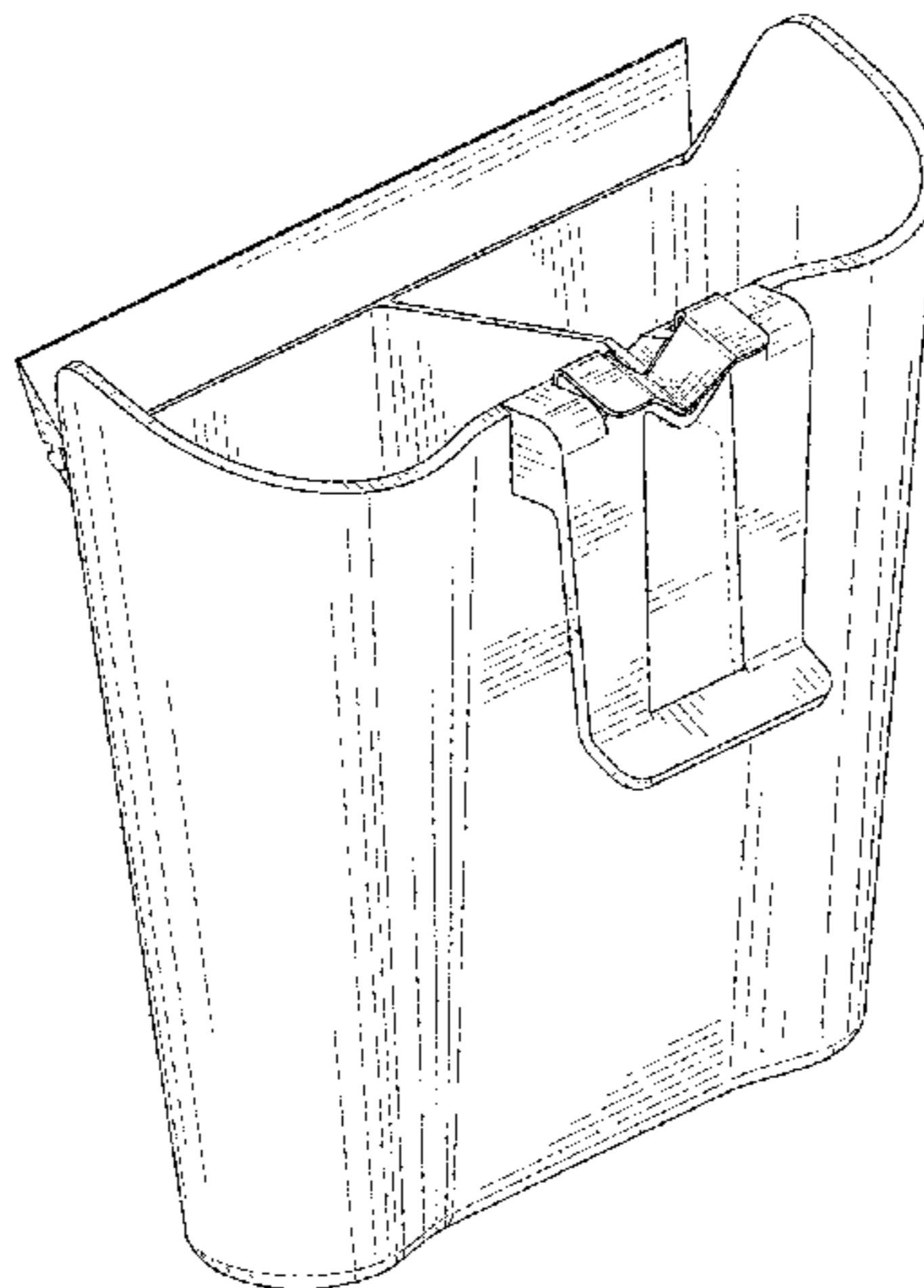
I claim the ornamental design for a dust catcher, as shown and described.

DESCRIPTION

FIG. 1 is a perspective view of a dust catcher showing my new design;
FIG. 2 is a front elevation thereof;
FIG. 3 is a back elevation view thereof;
FIG. 4 is a left-side elevation view thereof;
FIG. 5 is a right-side elevation view thereof;
FIG. 6 is a top plan view thereof;
FIG. 7 is a bottom plan view thereof; and,
FIG. 8 is a cross-sectional view taken in the direction of line 8-8 of FIG. 6 thereof.
The broken lines in the drawings depict portions of the dust catcher that form no part of the claim.

1 Claim, 7 Drawing Sheets

(56) **References Cited**
U.S. PATENT DOCUMENTS
3,468,076 A * 9/1969 Jones B24B 55/102 451/456
D292,407 S * 10/1987 Legler D15/133
D334,330 S * 3/1993 Moshammer D8/70
D352,437 S * 11/1994 Chunn D8/62
D398,114 S * 9/1998 Jordan D32/74
D407,617 S 4/1999 Cooper et al.
6,641,634 B2 * 11/2003 Reich B23Q 11/0046 173/207
6,648,742 B1 11/2003 Segiel, Jr.
6,830,507 B2 * 12/2004 Reich B24B 55/10 451/356
D504,602 S * 5/2005 Aglassinger D8/62



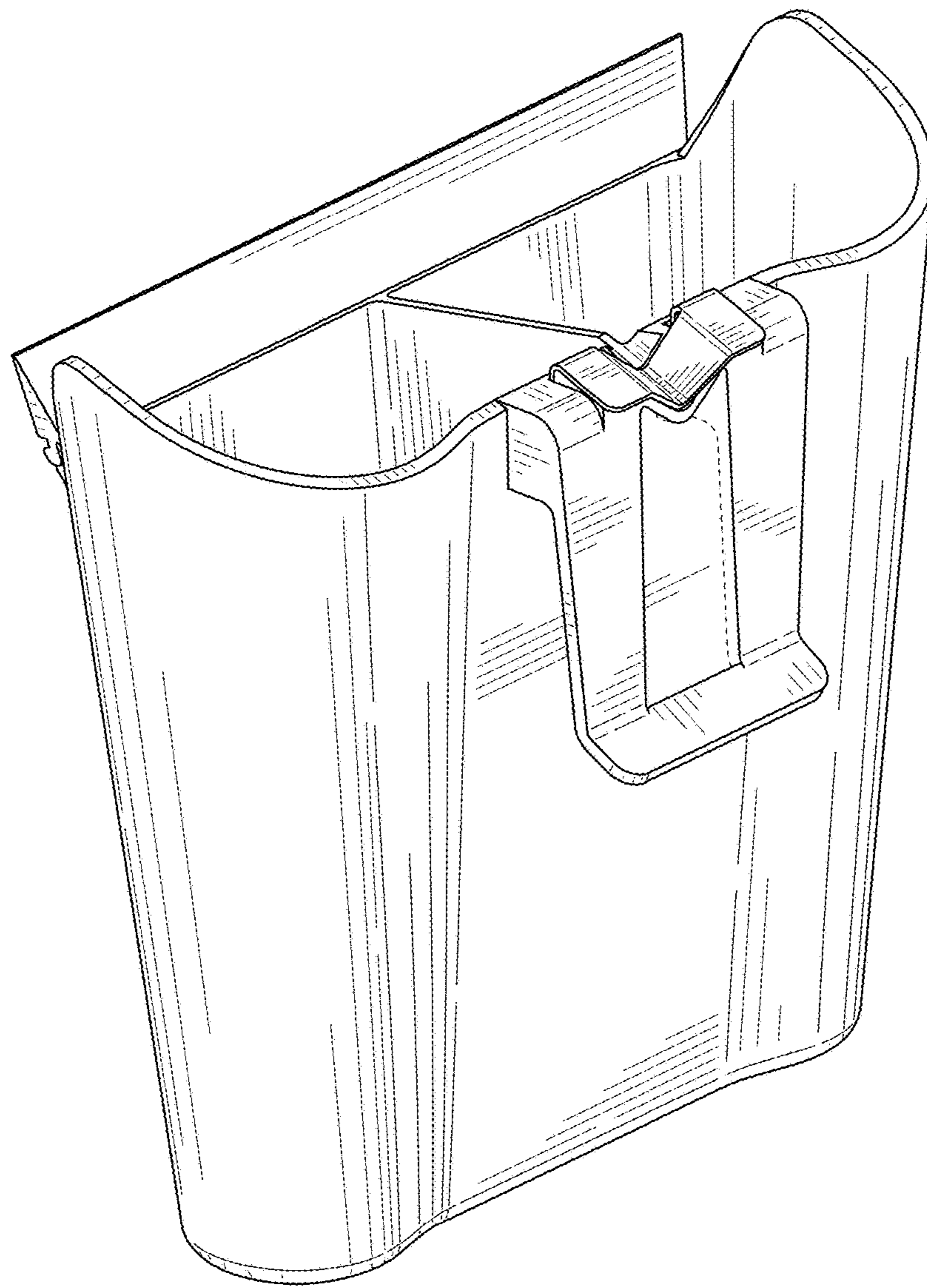


FIG. 1

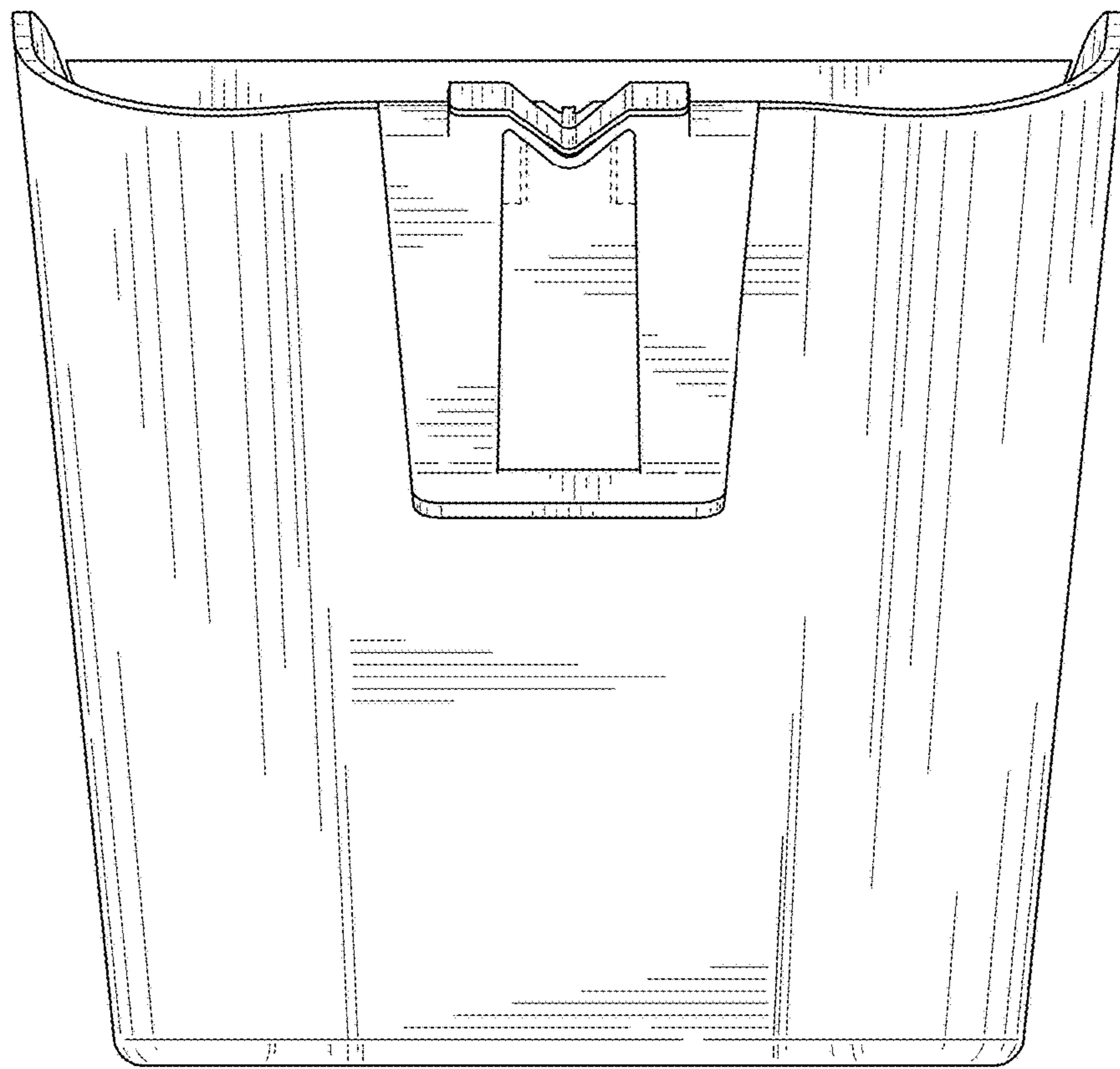


FIG. 2

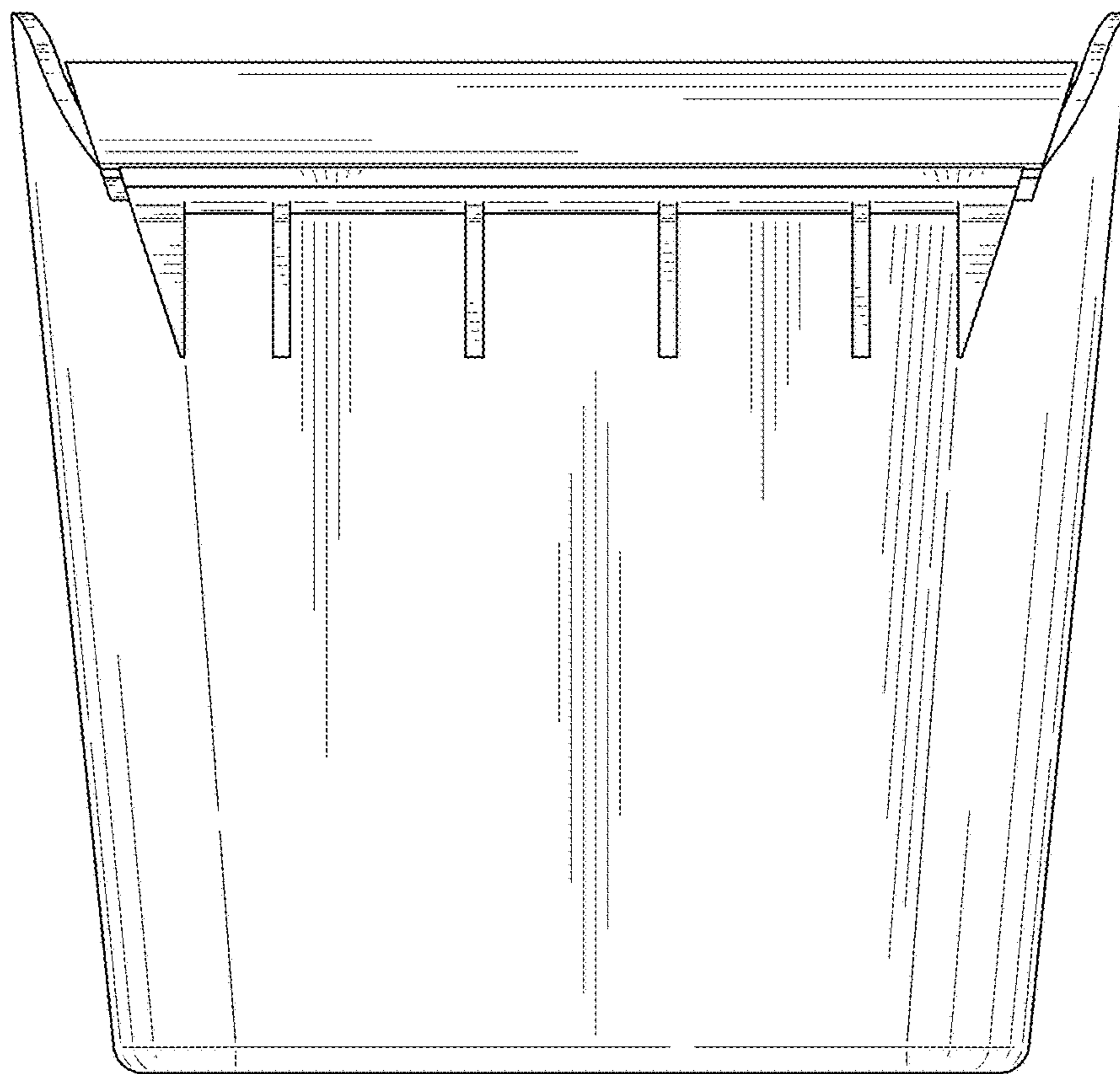


FIG. 3

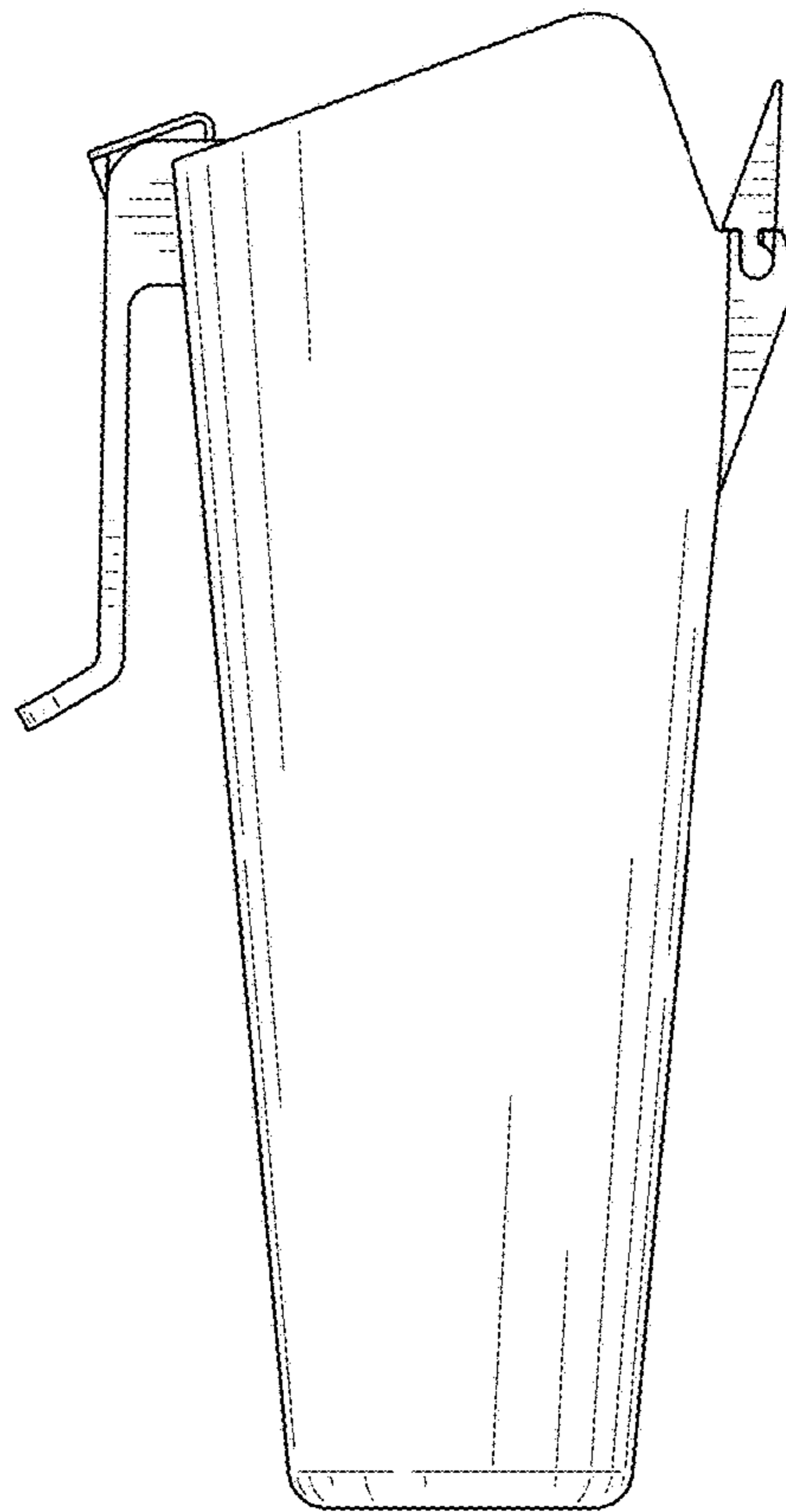


FIG. 4

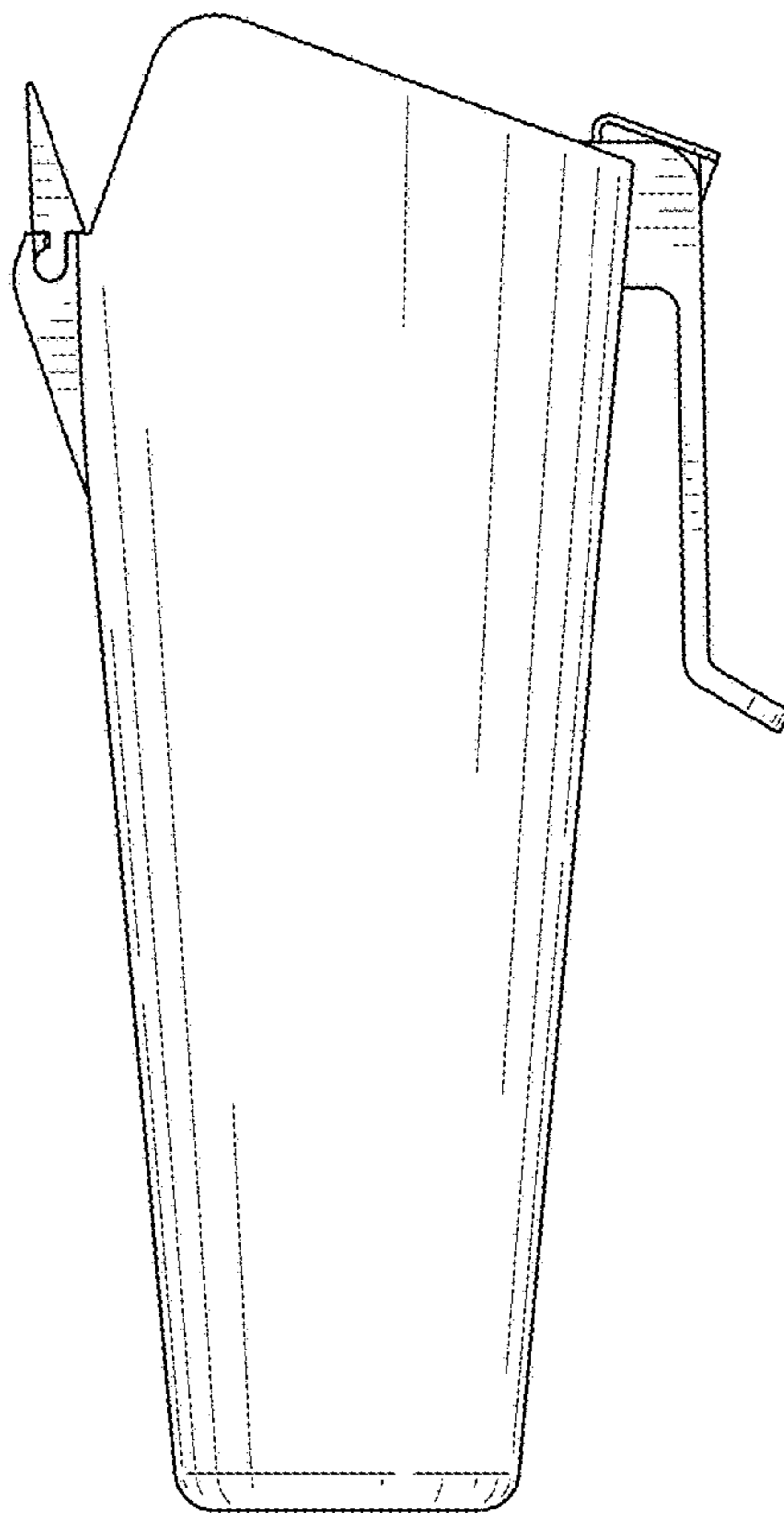


FIG. 5

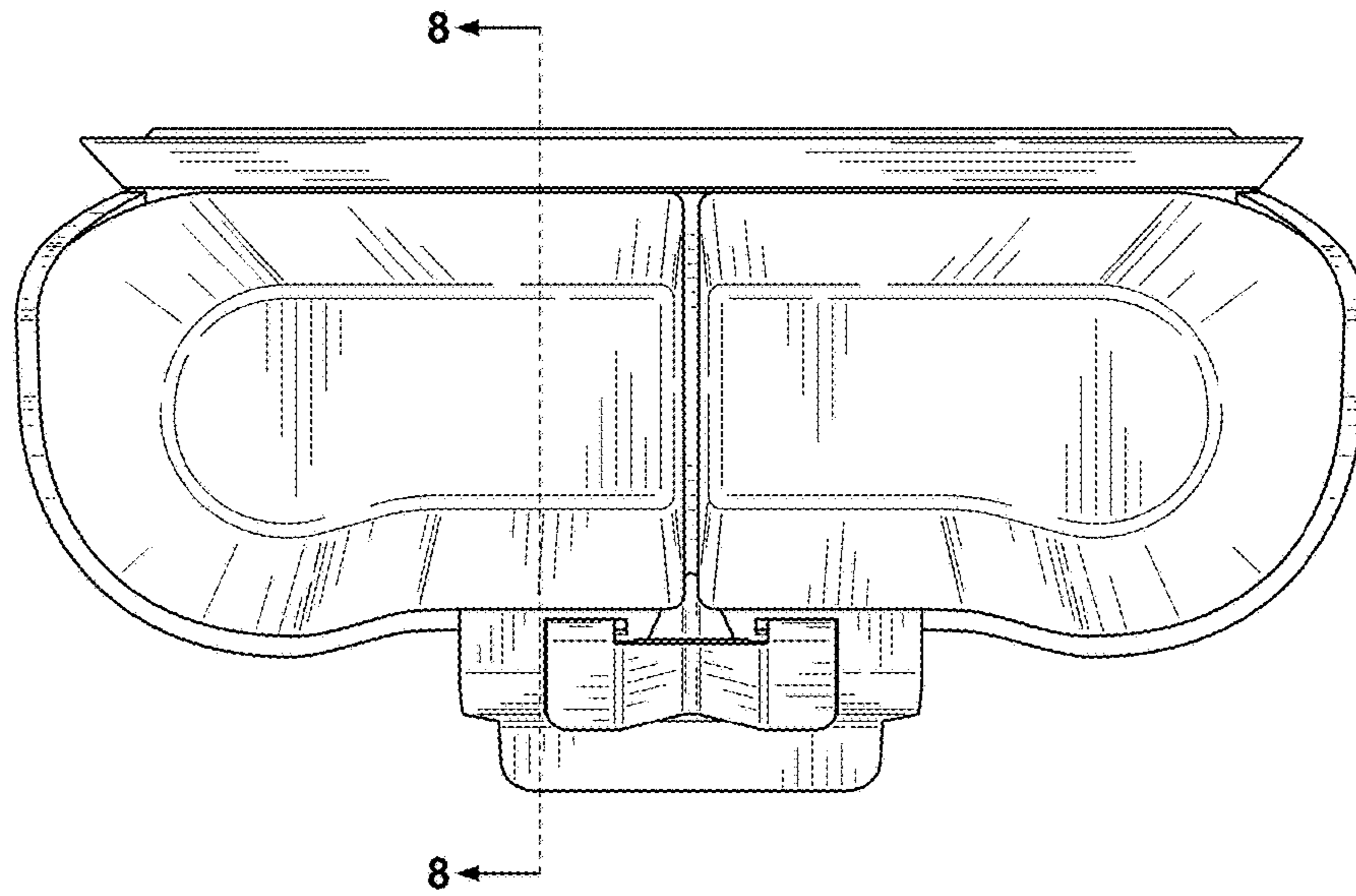


FIG. 6

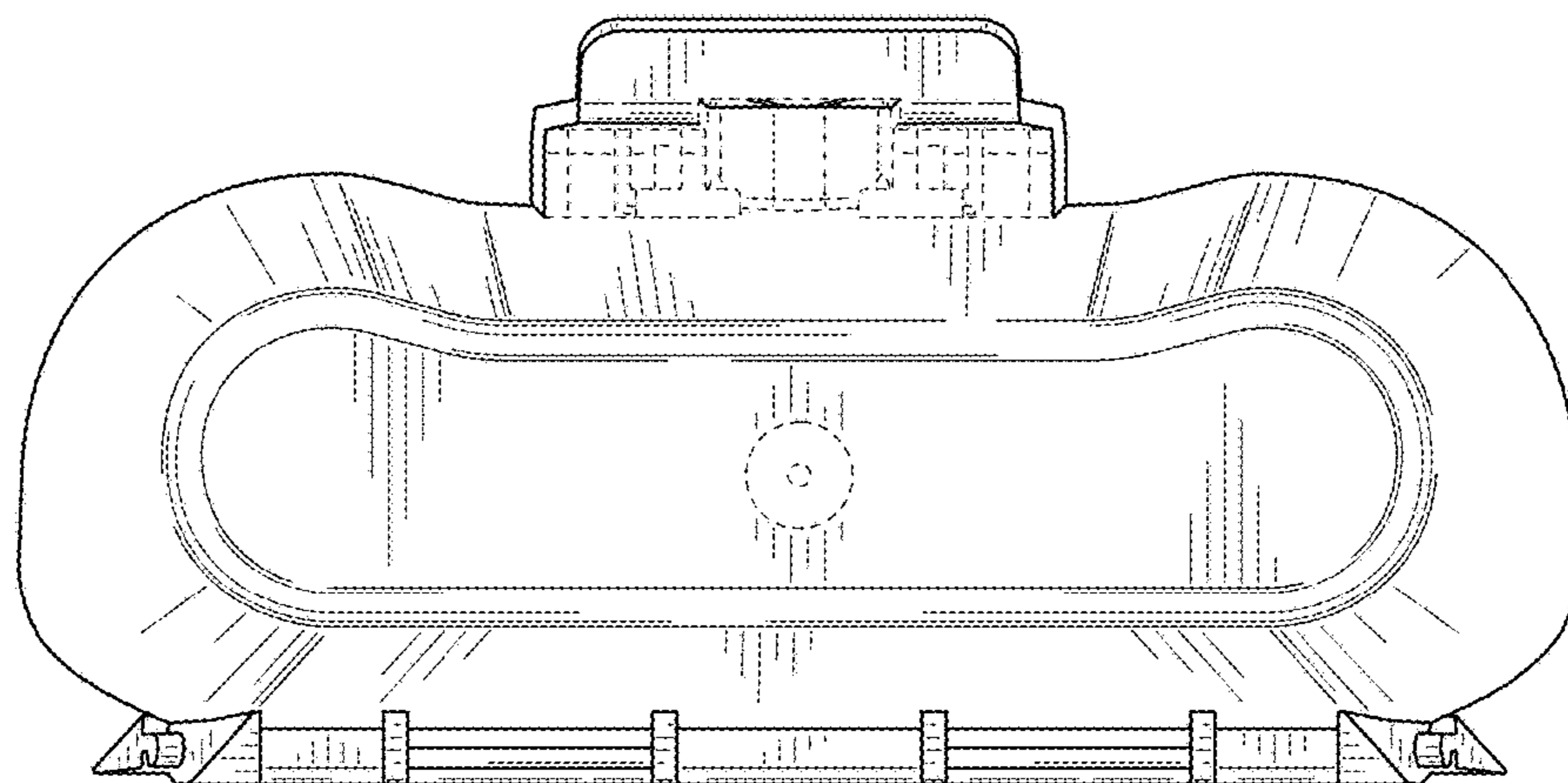


FIG. 7

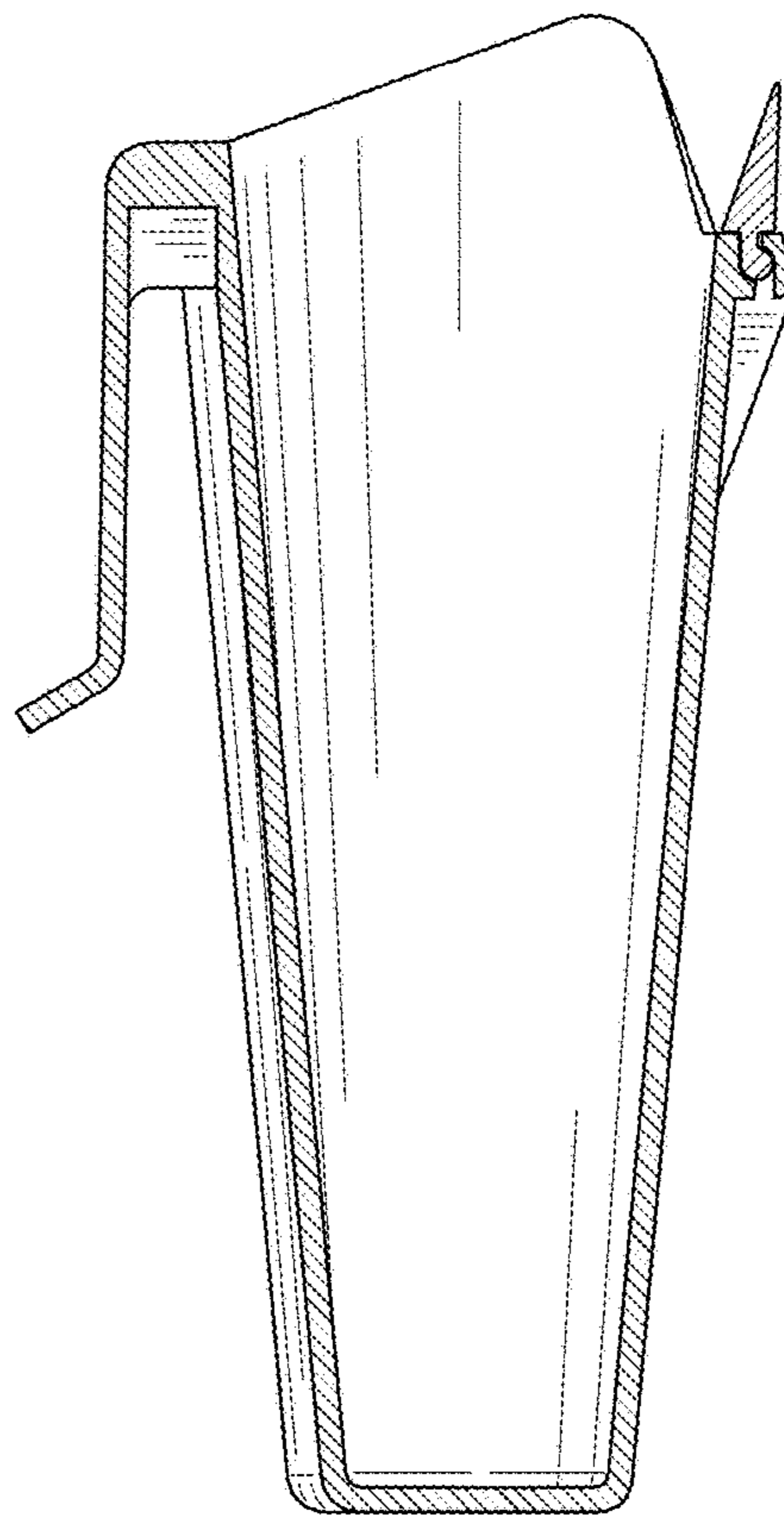


FIG. 8