

US00D864263S

(12) **United States Design Patent**  
**Hou**

(10) **Patent No.:** **US D864,263 S**

(45) **Date of Patent:** **\*\* Oct. 22, 2019**

- (54) **LOADER MACHINE**
- (71) Applicant: **Jinan Jinqiang Laser CNC Equipment Co., Ltd, Jinan (CN)**
- (72) Inventor: **Xiujin Hou, Jinan (CN)**
- (\*\*) Term: **15 Years**
- (21) Appl. No.: **29/645,485**
- (22) Filed: **Apr. 26, 2018**
- (51) **LOC (12) Cl.** ..... **15-09**
- (52) **U.S. Cl.**  
USPC ..... **D15/122; D15/145**
- (58) **Field of Classification Search**  
USPC ..... D15/23, 24, 122, 131, 133, 145, 147  
CPC ..... B23F 23/04; B23Q 7/043; B23Q 7/048;  
Y10T 409/107632; Y10T 409/100954  
See application file for complete search history.

- 6,252,188 B1 \* 6/2001 Zapata ..... B07C 5/342  
209/509
- 6,311,966 B1 \* 11/2001 Morishita ..... B23Q 7/048  
269/21
- 6,430,796 B1 \* 8/2002 Jones ..... B21J 15/10  
29/243.53
- D579,469 S \* 10/2008 Yang ..... D15/122
- D618,260 S \* 6/2010 Nakano ..... D15/131
- D651,222 S \* 12/2011 Hodgkiss ..... D15/122
- D652,435 S \* 1/2012 McLean ..... D15/122
- D681,063 S \* 4/2013 Kanemoto ..... D15/10
- D703,706 S \* 4/2014 Mueller ..... D15/122
- D746,339 S \* 12/2015 Hodgkiss ..... D15/10
- D822,084 S \* 7/2018 Hodgkiss ..... D15/147
- D854,066 S \* 7/2019 Colgrove ..... B07B 1/36  
D15/147

(Continued)

*Primary Examiner* — Patricia A Palasik

(74) *Attorney, Agent, or Firm* — Tommy SF Wang; Wang IP Law Group, P.C.

(56) **References Cited**

**U.S. PATENT DOCUMENTS**

- 3,268,094 A \* 8/1966 Fischer ..... B23F 23/04  
414/225.01
- 4,274,801 A \* 6/1981 Herb ..... B21D 43/003  
269/73
- 4,348,044 A \* 9/1982 Wood, III ..... B23Q 7/043  
294/115
- D272,913 S \* 3/1984 Boissicat ..... D15/147
- 4,741,232 A \* 5/1988 Myers ..... B23Q 1/015  
29/27 C
- 4,743,147 A \* 5/1988 Bettocchi ..... B23F 23/04  
409/49
- 4,763,391 A \* 8/1988 Yoshioka ..... B23P 19/042  
29/33 P
- 4,832,543 A \* 5/1989 Negri ..... B23F 23/04  
409/133
- 5,081,889 A \* 1/1992 Takano ..... B23B 5/02  
82/122
- 5,345,806 A \* 9/1994 Sartorio ..... B21D 43/026  
414/758

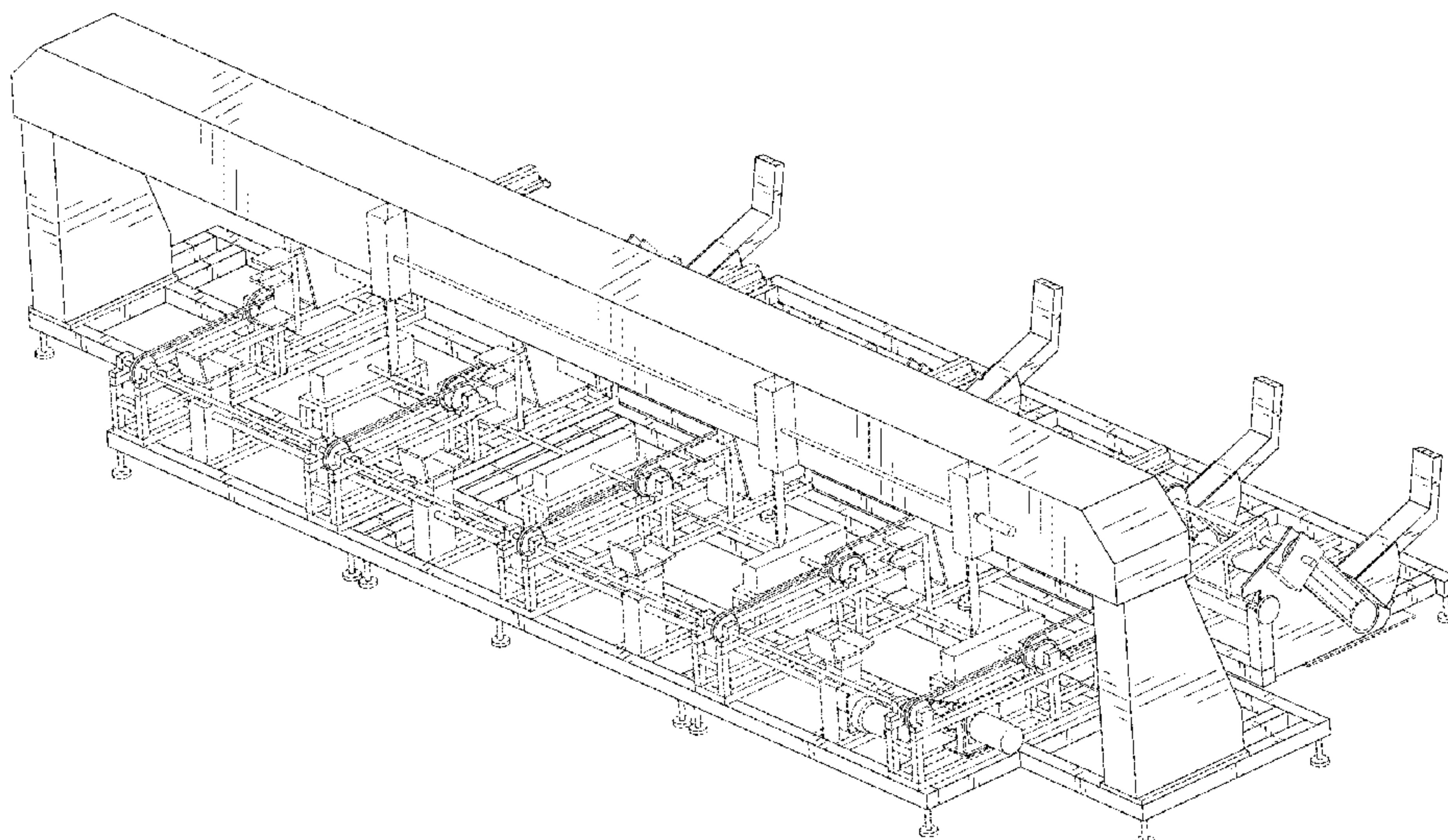
(57) **CLAIM**

The ornamental design for a loader machine, as shown and described.

**DESCRIPTION**

FIG. 1 is a front perspective view of a loader machine showing my new design;  
 FIG. 2 is a rear perspective view thereof;  
 FIG. 3 is a front view thereof;  
 FIG. 4 is a rear view thereof;  
 FIG. 5 is a left side view thereof;  
 FIG. 6 is a right side view thereof;  
 FIG. 7 is a top view thereof; and,  
 FIG. 8 is a bottom view thereof.  
 The broken line portions of the loader machine in FIGS. 1-8 represent unclaimed portions of the claimed design and form no part thereof.

**1 Claim, 8 Drawing Sheets**



(56)

**References Cited**

U.S. PATENT DOCUMENTS

2002/0092149 A1\* 7/2002 Wolf ..... B21J 15/14  
29/464  
2004/0089696 A1\* 5/2004 Alvarsson ..... B23Q 7/003  
227/107  
2014/0228190 A1\* 8/2014 Manso Marquez .. B23Q 3/1554  
483/58  
2018/0318974 A1\* 11/2018 Haenschke ..... B23Q 7/048

\* cited by examiner

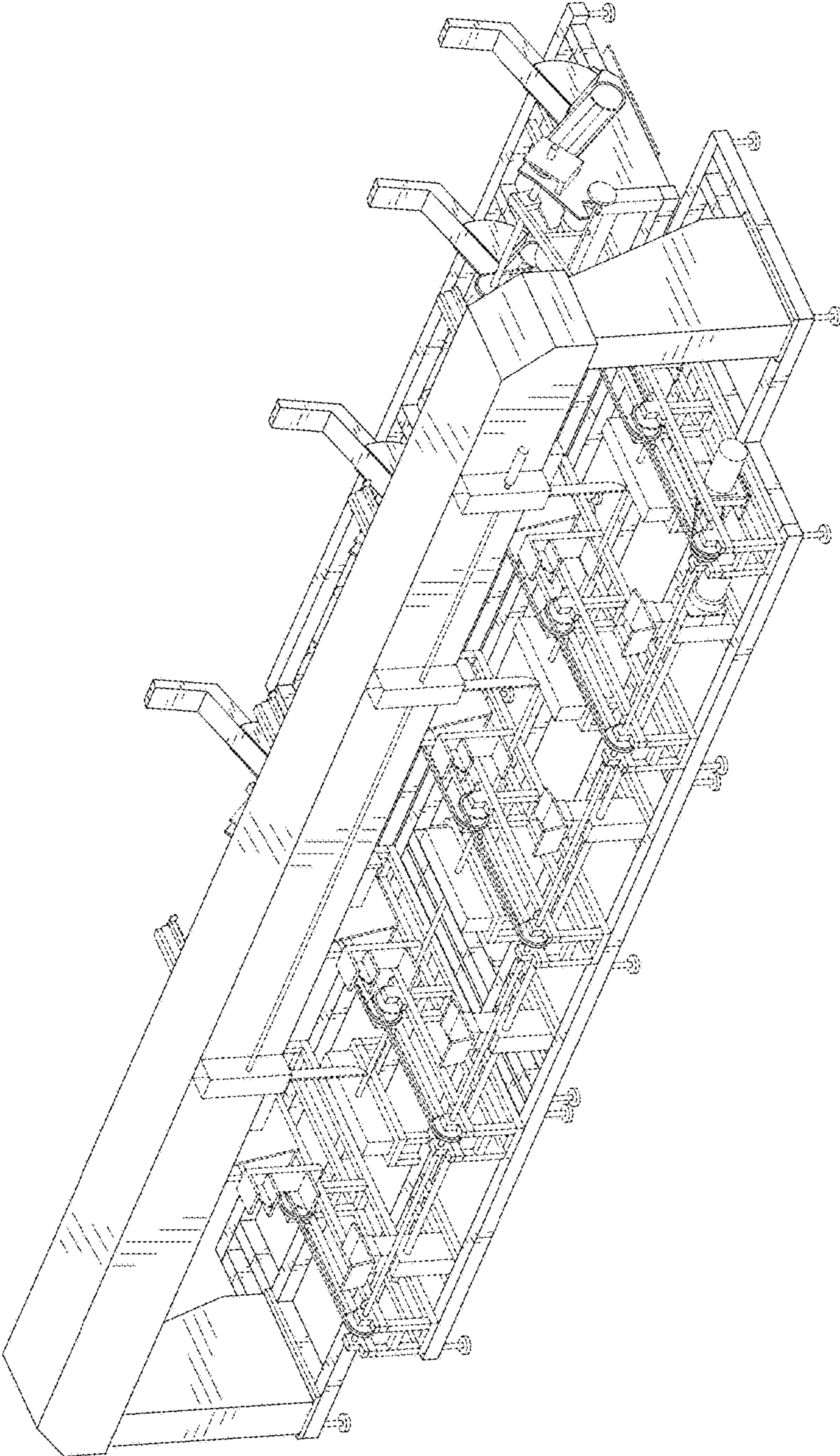


FIG. 1



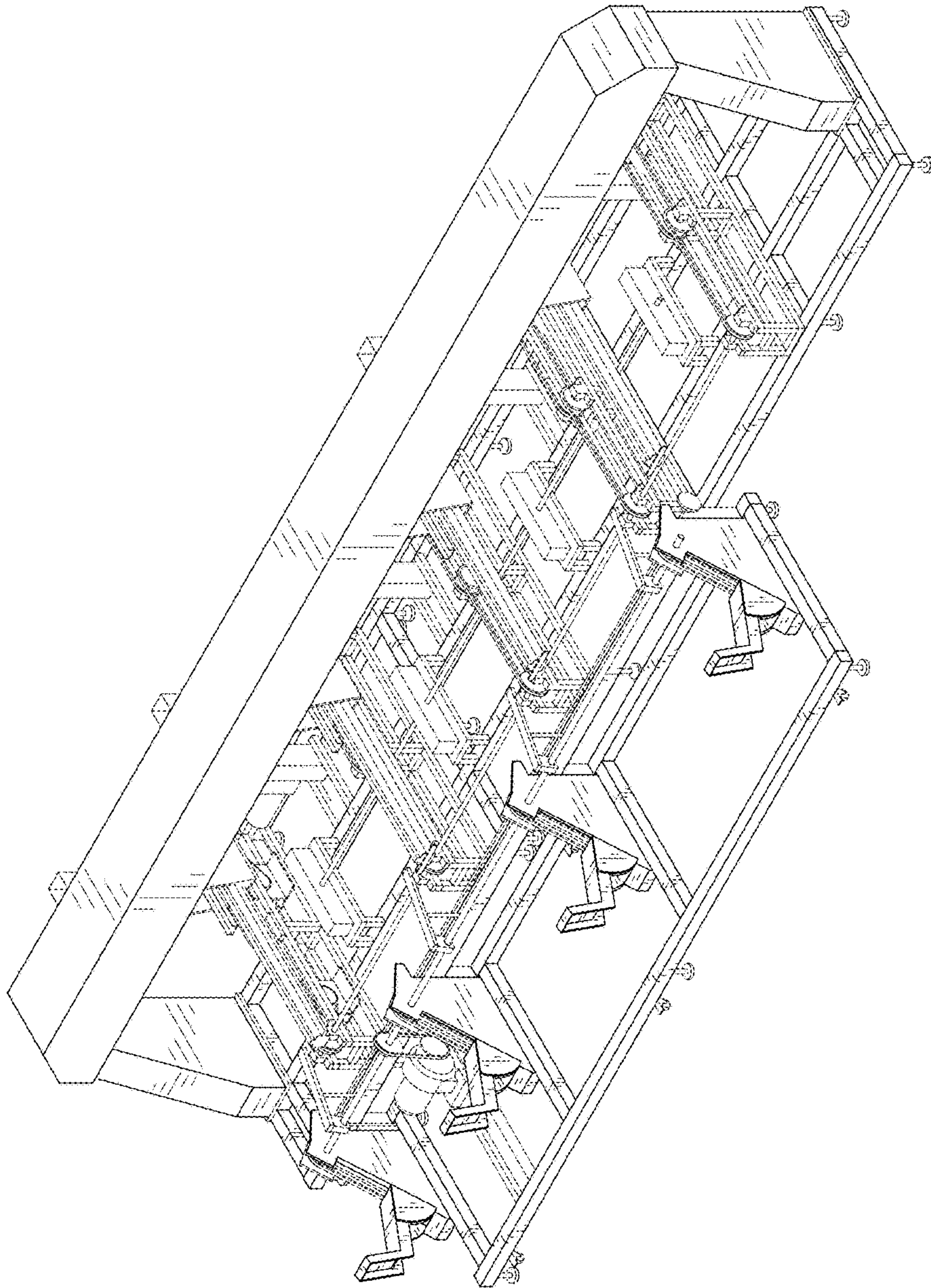


FIG. 2

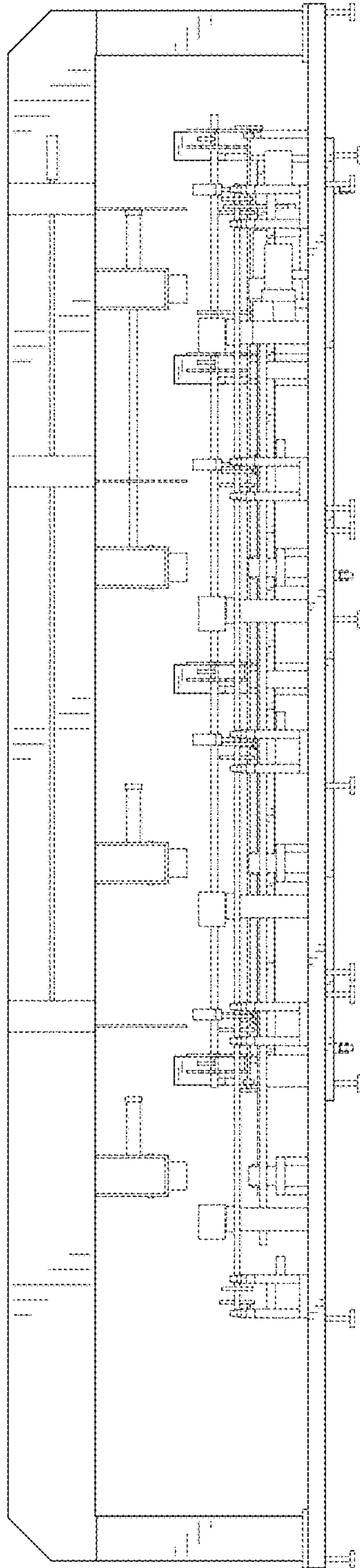


FIG. 3

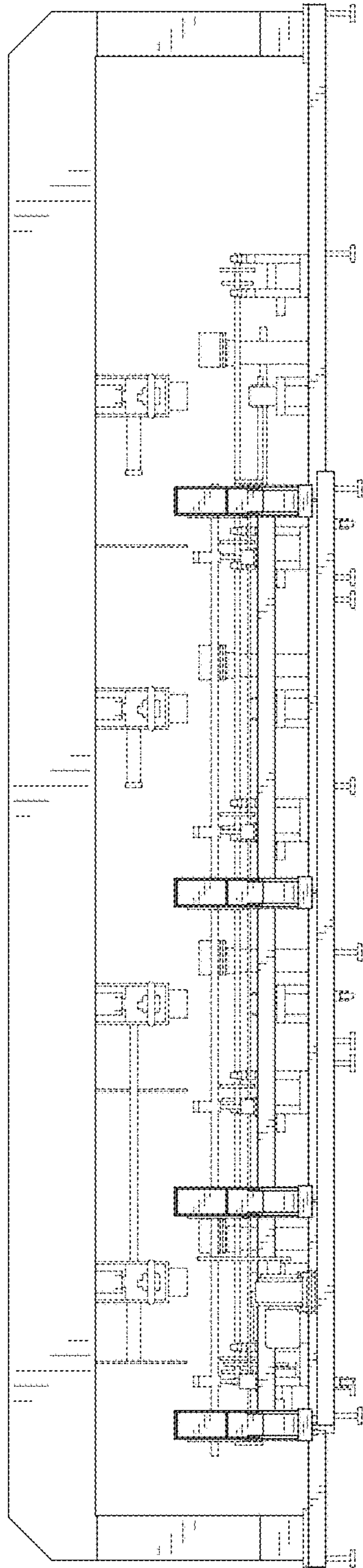


FIG. 4

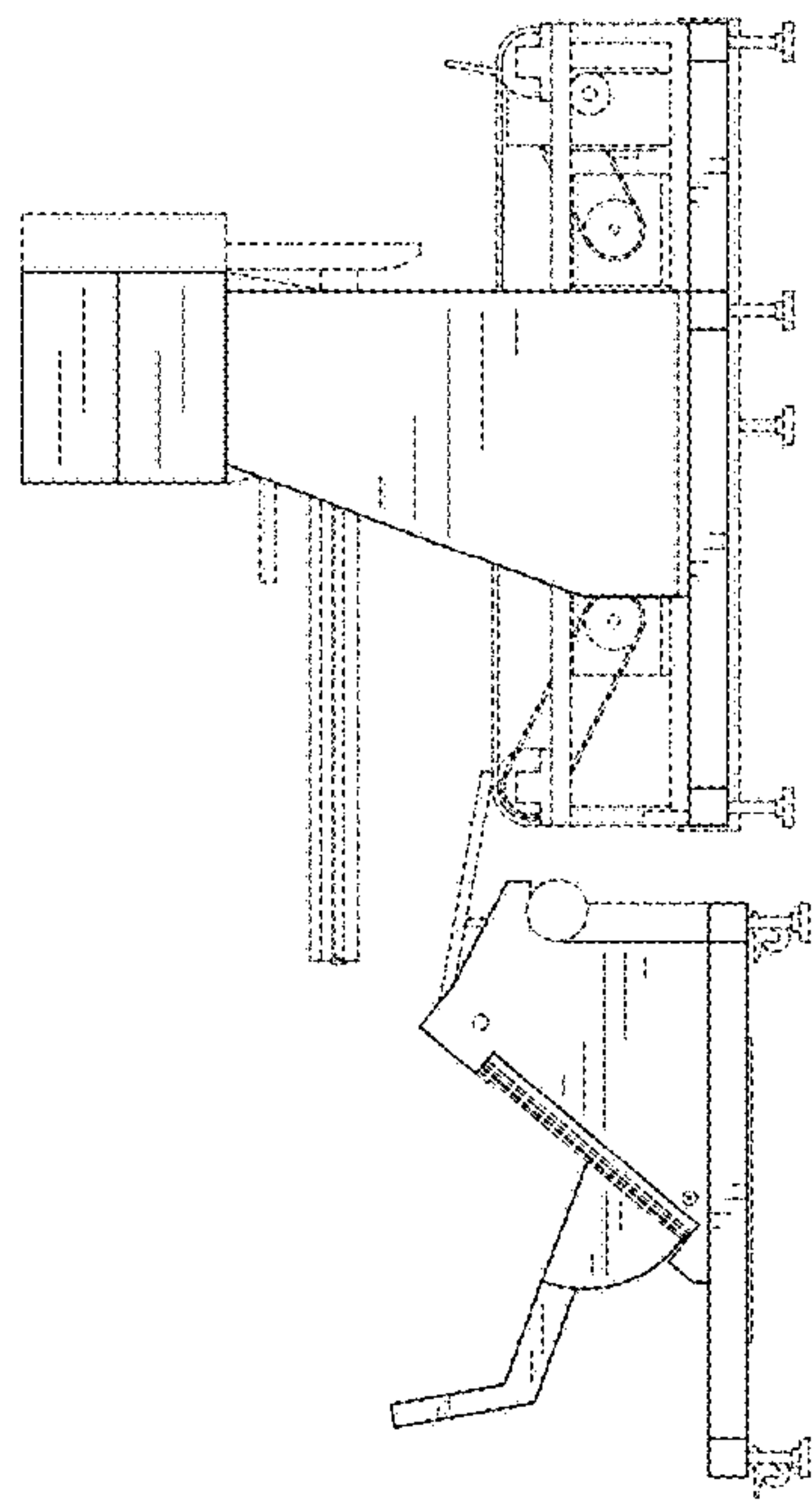


FIG. 5

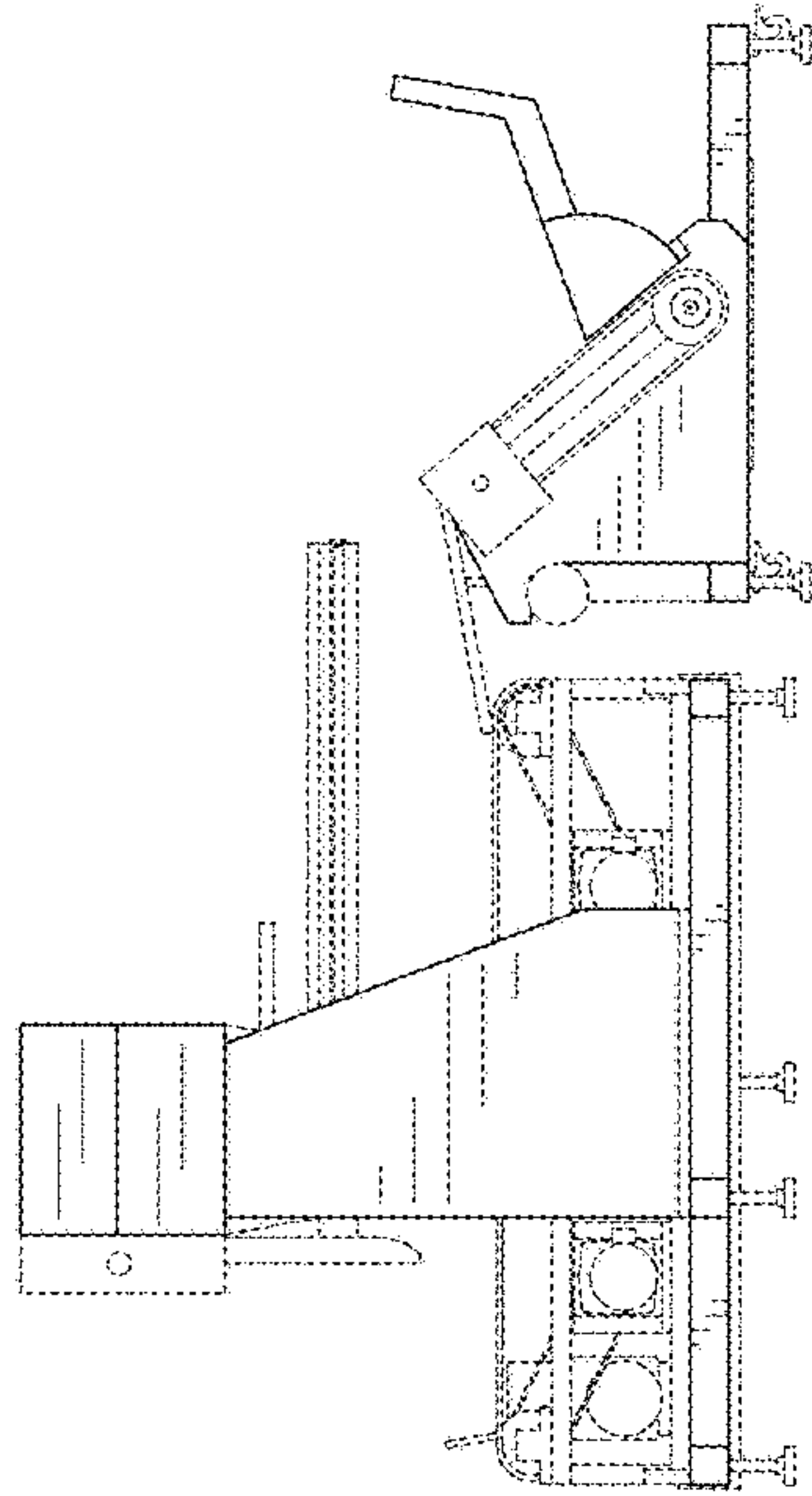


FIG. 6



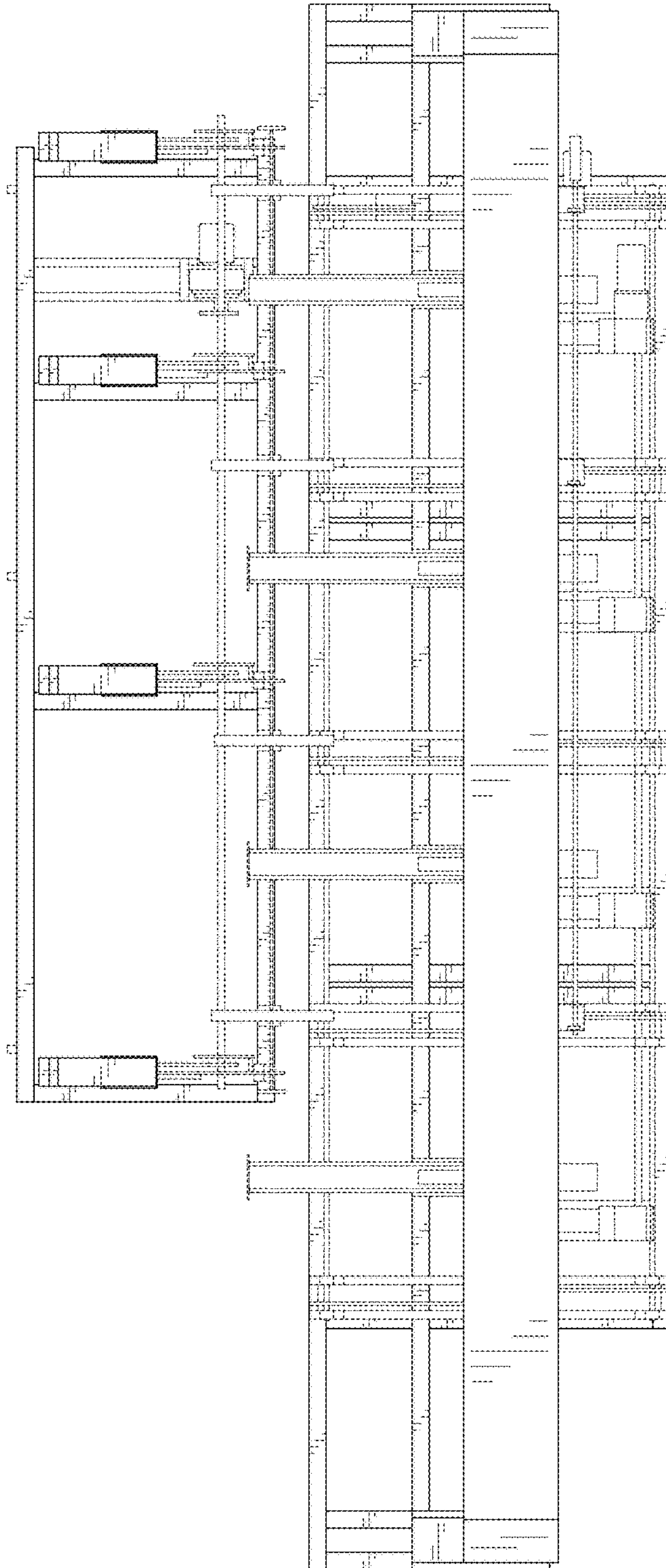


FIG. 7

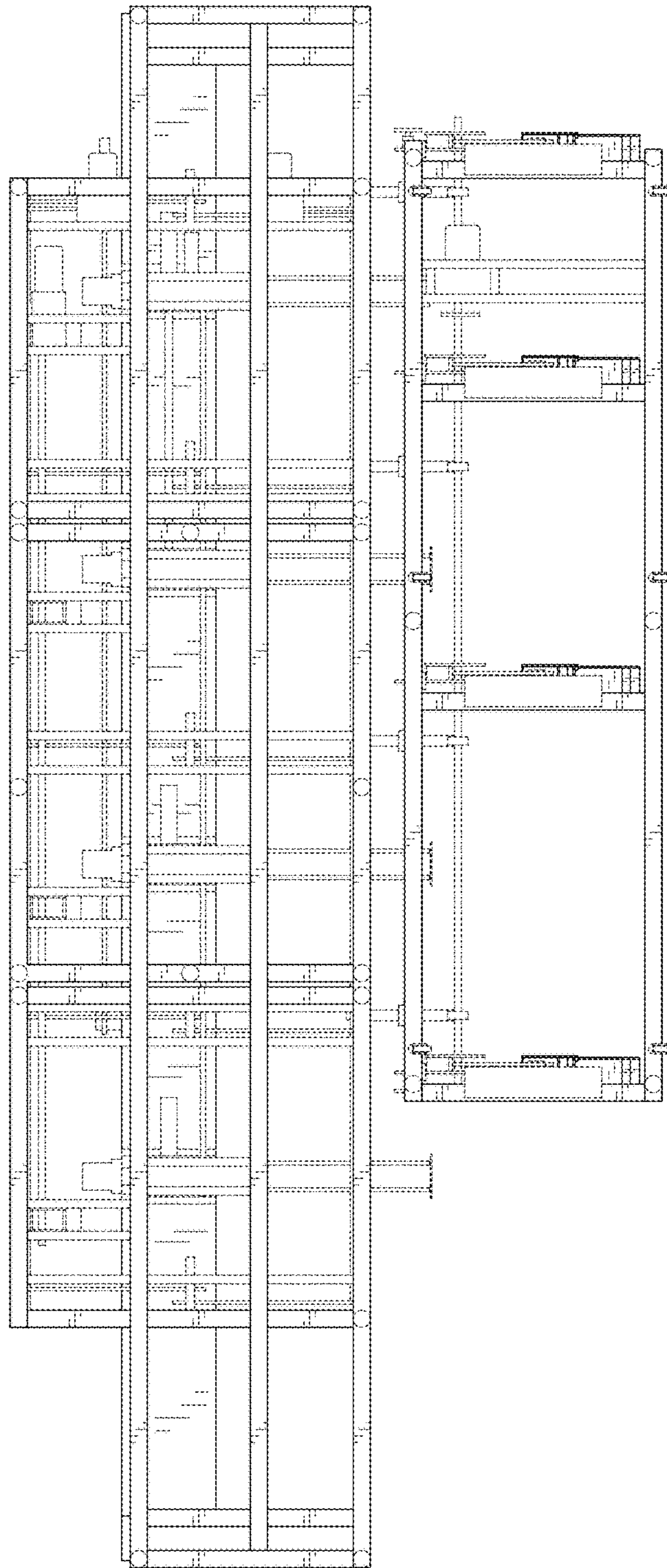


FIG. 8