



US00D864261S

(12) **United States Design Patent** (10) **Patent No.:** **US D864,261 S**
Hu (45) **Date of Patent:** **** Oct. 22, 2019**

(54) **ICE CUBE TRAY**

(71) Applicant: **SHENZHEN QIANHAI PATUOXUN NETWORK AND TECHNOLOGY CO., LTD**, Shenzhen (CN)

(72) Inventor: **Zaihui Hu**, Shenzhen (CN)

(73) Assignee: **SHENZHEN QIANHAI PATUOXUN NETWORK AND TECHNOLOGY CO., LTD**, Shenzhen (CN)

(**) Term: **15 Years**

(21) Appl. No.: **29/695,238**

(22) Filed: **Jun. 17, 2019**

(51) **LOC (12) Cl.** **15-07**

(52) **U.S. Cl.**
USPC **D15/89**

(58) **Field of Classification Search**
USPC D15/79, 80, 82, 89, 90; D3/200-201, D3/203.1, 203.3, 205-206, 304-315; D6/672, 675
CPC F25B 21/02; F25B 2321/02; F25B 1/005; F25B 2321/0252; F25B 1/00; F25B 1/10; F25B 21/04; F25B 2339/047; F25B 5/02; F25B 7/00; F25B 13/00; F25B 1/053; F25B 2309/06; F25B 2321/021; F25B 2321/023; F25D 23/028; F25D 23/02; F25D 25/025; F25D 23/00; F25D 2323/021; F25D 11/00; F25D 2323/024; F25D 23/04; F25D 29/00; F25D 25/02; F25D 25/024; F25D 27/005; F25D 23/12; F25D 29/005; F25D 17/042; F25D 2325/021

See application file for complete search history.

(56) **References Cited**

U.S. PATENT DOCUMENTS

D137,122	S	*	1/1944	Gits	D15/90
D764,552	S	*	8/2016	Traub	D15/90
D787,568	S	*	5/2017	Davies	D15/90
D844,394	S	*	4/2019	Arendt	D7/672
D846,604	S	*	4/2019	Lopez	D15/90
D855,087	S	*	7/2019	Lopez	D15/89

FOREIGN PATENT DOCUMENTS

EM 001160170-0016 10/2009

* cited by examiner

Primary Examiner — Khawaja Anwar

(74) *Attorney, Agent, or Firm* — JCIP Global Inc.

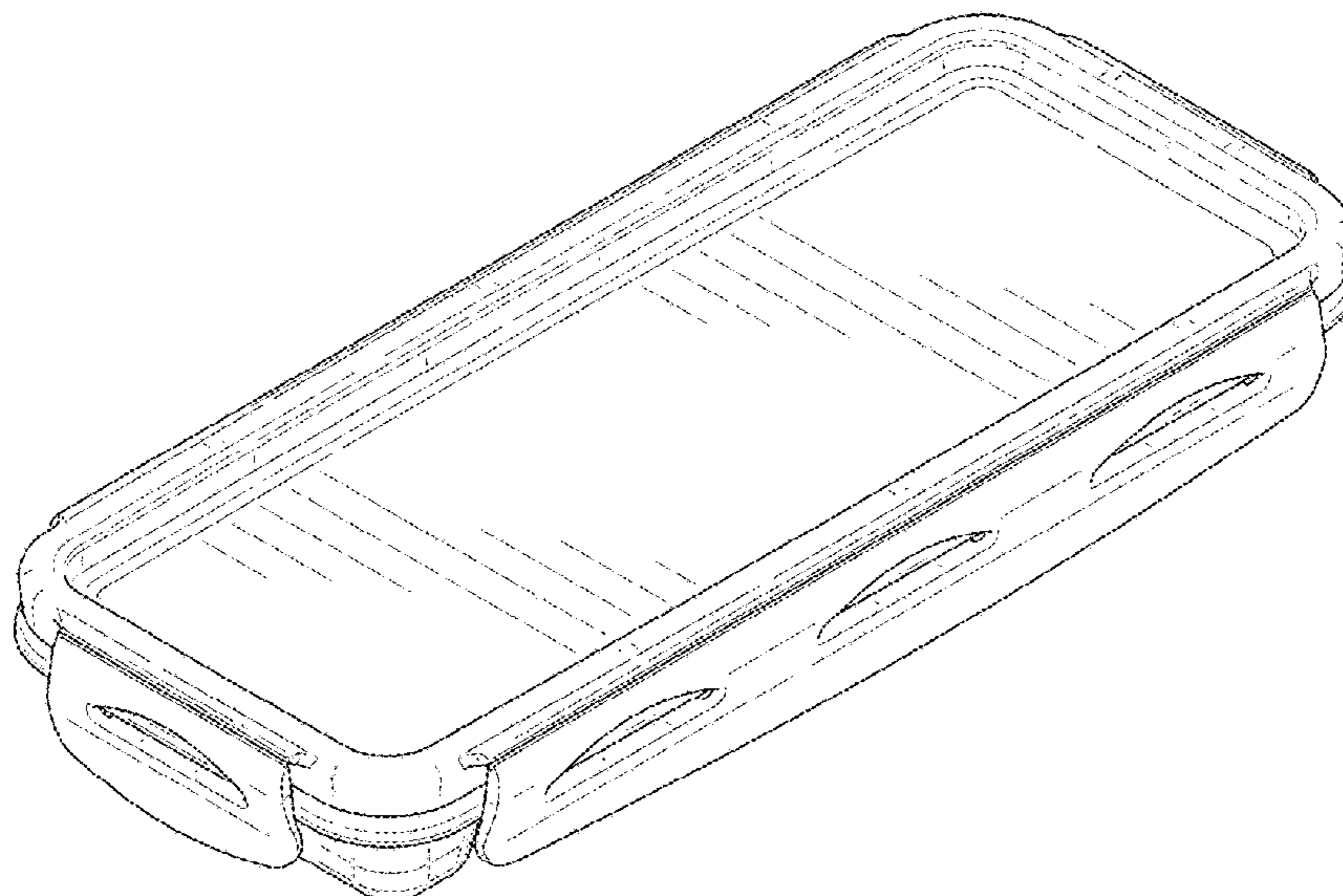
(57) **CLAIM**

The ornamental design for an ice cube tray, as shown and described.

DESCRIPTION

FIG. 1 is a perspective view of an ice cube tray showing my new design;
FIG. 2 is another perspective view thereof;
FIG. 3 is a front view thereof;
FIG. 4 is a rear view thereof;
FIG. 5 is a left side view thereof;
FIG. 6 is a right side view thereof;
FIG. 7 is a top view thereof;
FIG. 8 is a bottom view thereof; and,
FIG. 9 is an exploded front perspective view thereof.
The broken lines in the drawings depict portions of the ice cube tray that form no part of the claimed design.

1 Claim, 6 Drawing Sheets



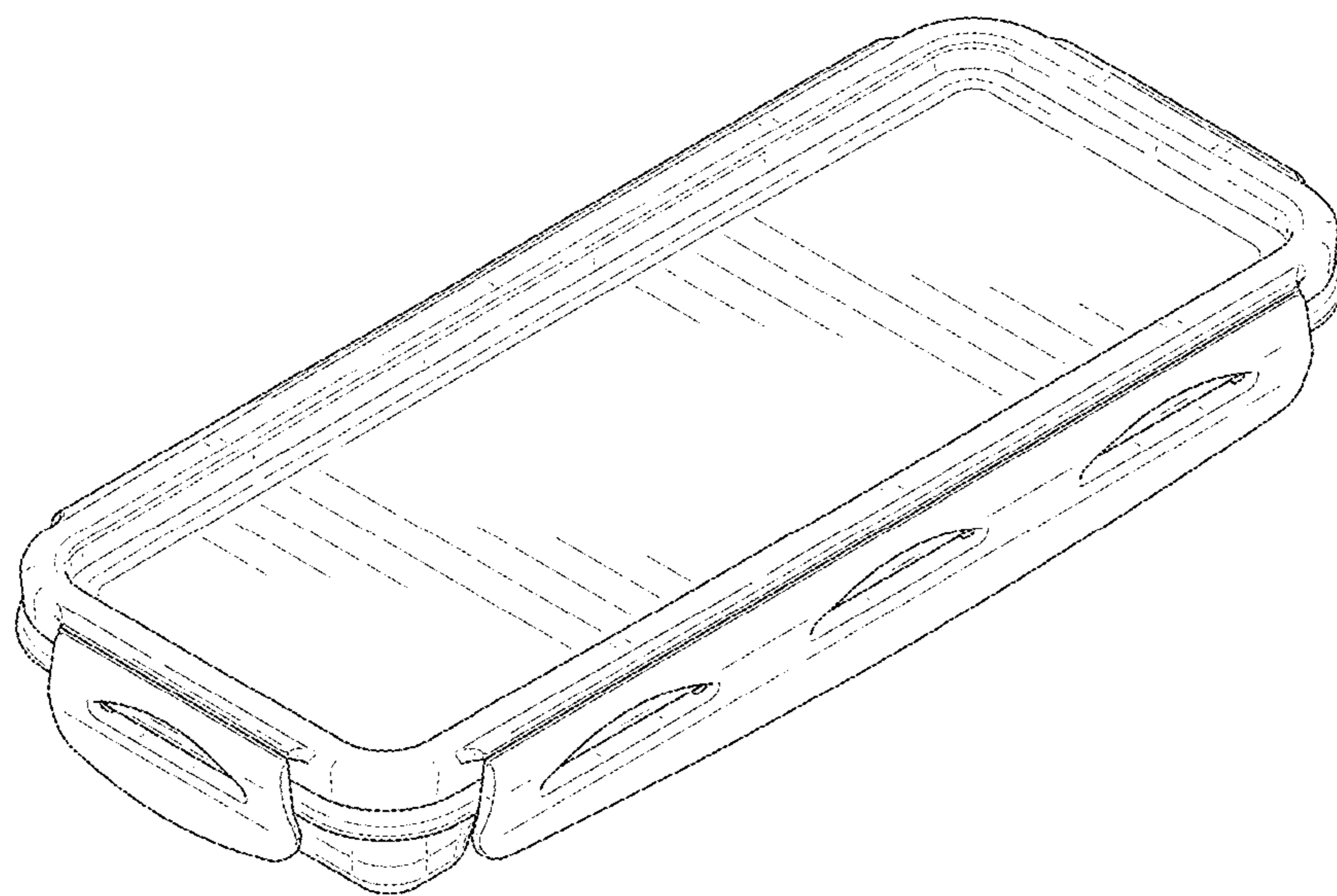


FIG. 1

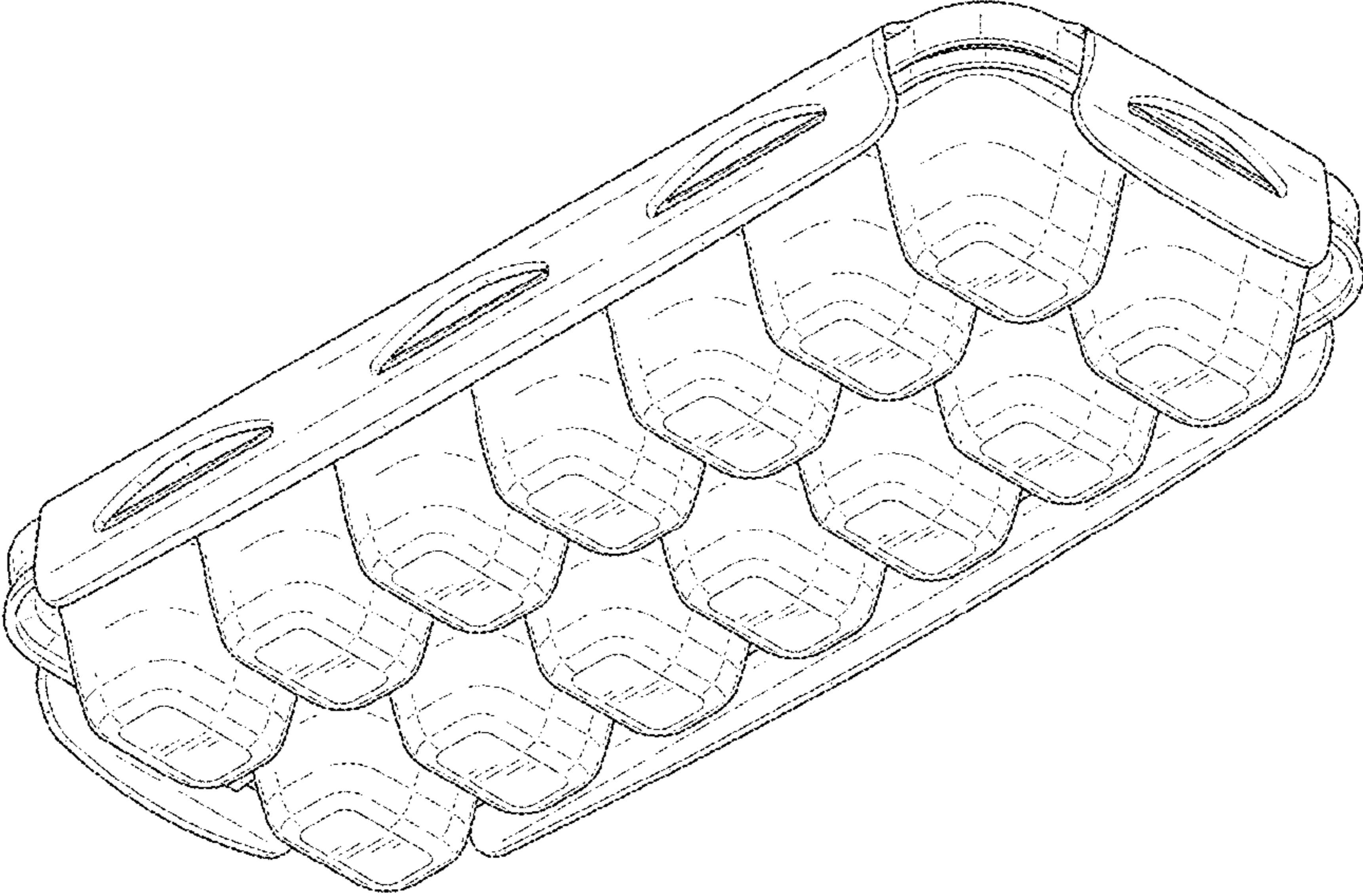


FIG. 2

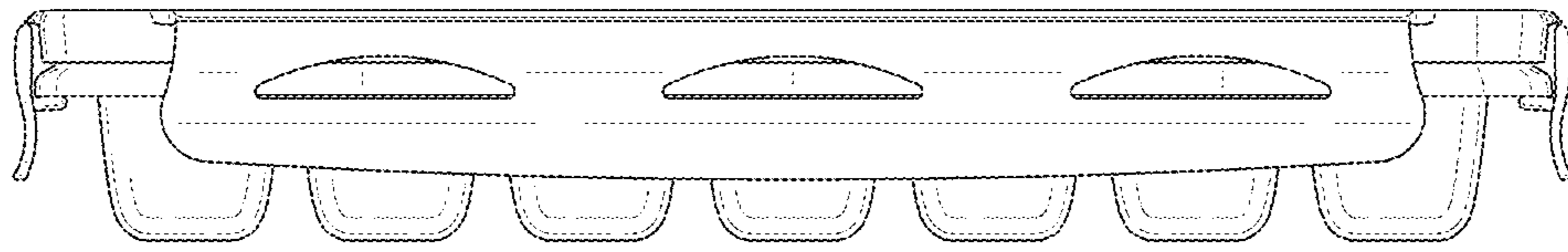


FIG. 3

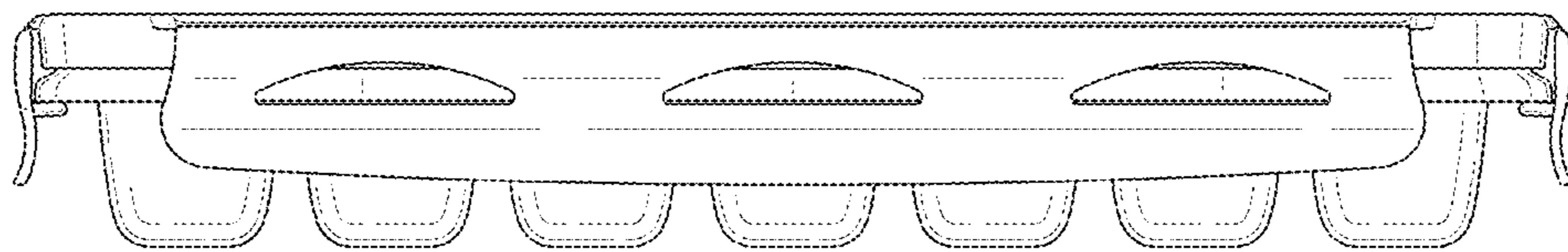


FIG. 4

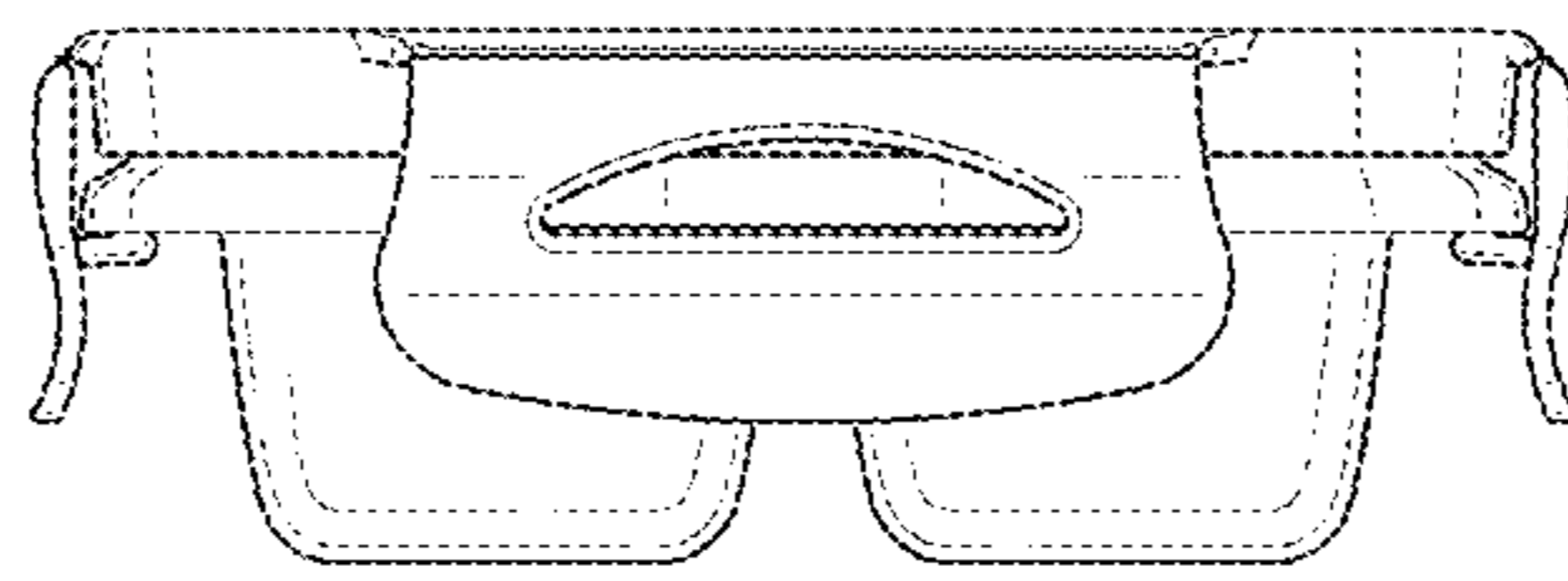


FIG. 5

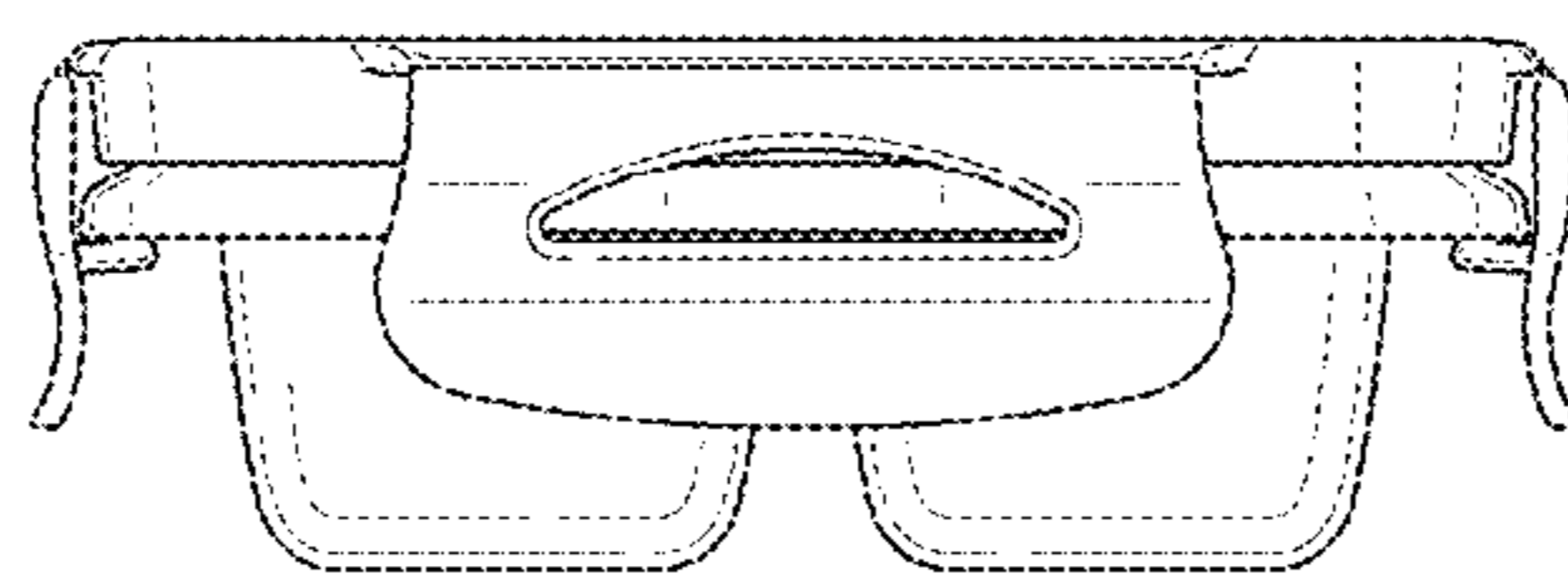


FIG. 6

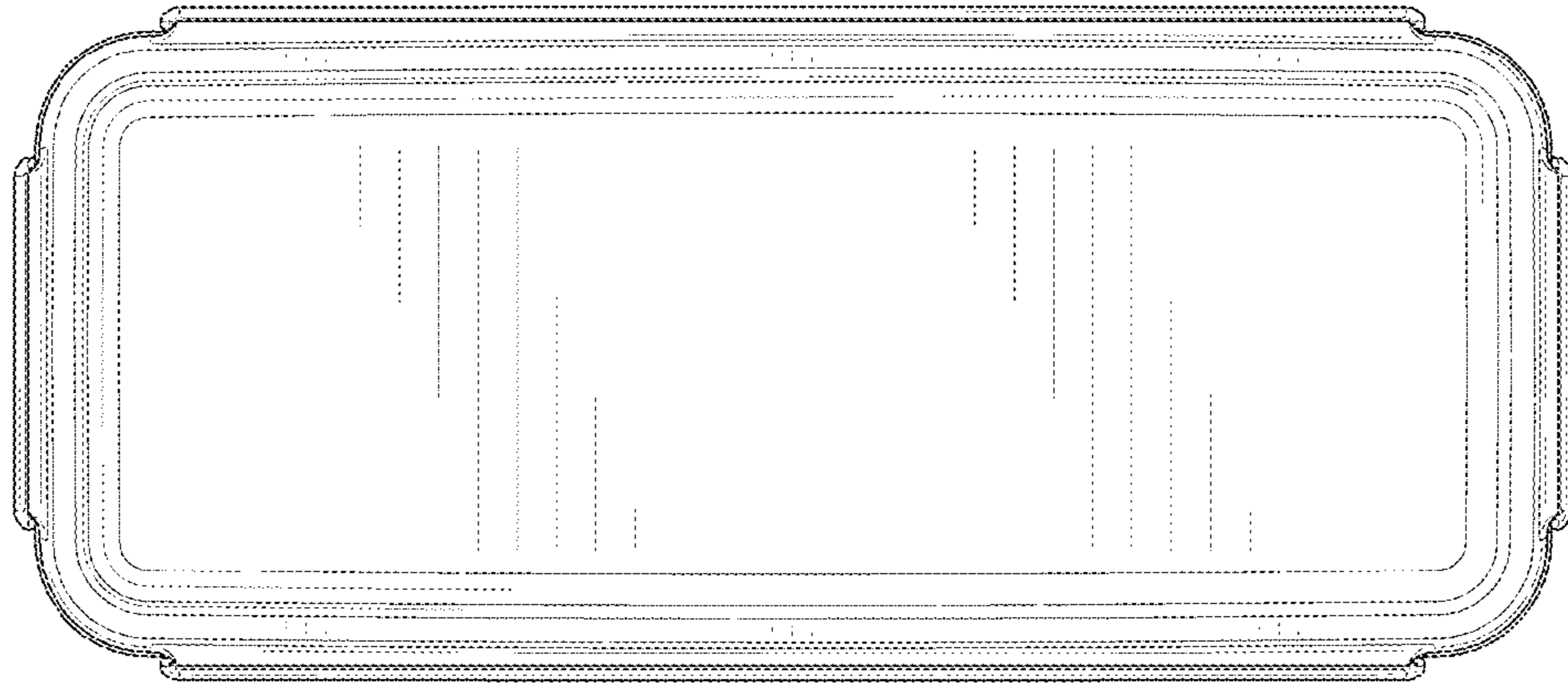


FIG. 7

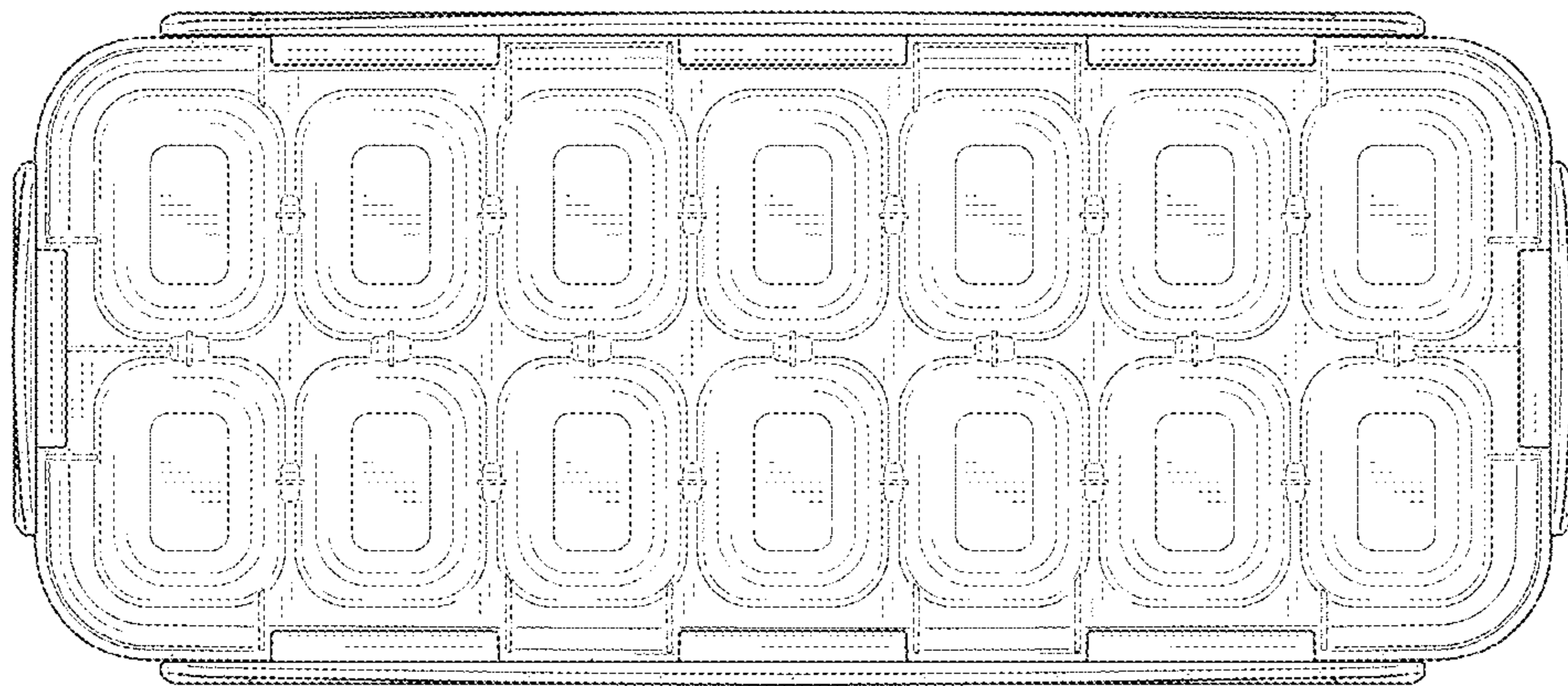


FIG. 8



FIG. 9