

US00D864259S

(12) **United States Design Patent** (10) **Patent No.:** **US D864,259 S**
Staton et al. (45) **Date of Patent:** **** Oct. 22, 2019**

(54) **GRILL** 29/008; F25D 31/002; F25D 31/006;
 F25D 31/007; F25D 3/08

(71) Applicant: **Thermo Fisher Scientific (Asheville) LLC**, Asheville, NC (US) See application file for complete search history.

(72) Inventors: **John M. Staton**, Waltham, MA (US);
Dan J. Mangan, Asheville, NC (US)

(73) Assignee: **Thermo Fisher Scientific (Asheville) LLC**, Asheville, NC (US)

(**) Term: **15 Years**

(21) Appl. No.: **29/605,755**

(22) Filed: **May 30, 2017**

(51) **LOC (12) Cl.** **15-07**

(52) **U.S. Cl.**
 USPC **D15/89**

(58) **Field of Classification Search**
 USPC D15/79-91

CPC F25D 23/028; F25D 17/065; F25D 21/14;
 F25D 2323/024; F25D 2400/361; F25D
 11/00; F25D 11/02; F25D 21/12; F25D
 23/069; F25D 2700/12; F25D 11/022;
 F25D 16/00; F25D 17/02; F25D 17/06;
 F25D 17/062; F25D 19/006; F25D
 21/004; F25D 21/04; F25D 21/08; F25D
 21/10; F25D 2201/14; F25D 2303/081;
 F25D 2317/0651; F25D 2317/0654; F25D
 2317/0663; F25D 2317/0665; F25D
 2317/067; F25D 2317/0682; F25D
 2321/1412; F25D 2323/021; F25D
 2323/022; F25D 2323/023; F25D 23/02;
 F25D 23/04; F25D 23/087; F25D 23/12;
 F25D 2400/06; F25D 2400/18; F25D
 2400/28; F25D 2400/36; F25D 2400/40;
 F25D 25/005; F25D 25/02; F25D
 2600/06; F25D 2700/00; F25D 2700/02;
 F25D 2700/121; F25D 2700/16; F25D
 29/00; F25D 29/003; F25D 29/005; F25D

(56) **References Cited**

U.S. PATENT DOCUMENTS

D323,599	S	*	2/1992	Griffard	D7/408
D411,002	S	*	6/1999	Farmer	D23/366
D520,533	S	*	5/2006	Reese	D15/89
D571,828	S	*	6/2008	Braun	D15/89
D662,781	S	*	7/2012	Pallotto	D7/552.1
D689,741	S	*	9/2013	Wang	D7/554.3
D725,851	S	*	3/2015	Lee	D32/3
D774,349	S	*	12/2016	Zemel	D7/354
D775,320	S	*	12/2016	Lucas	D23/397
D794,091	S	*	8/2017	Smith	D15/89
D804,235	S	*	12/2017	Affatato	D7/354
D821,729	S	*	7/2018	Durflinger	D2/972
D824,726	S	*	8/2018	Gershkow	D7/409
D824,727	S	*	8/2018	Gershkow	D7/409
D846,601	S	*	4/2019	Froehlich	D15/89

* cited by examiner

Primary Examiner — Khawaja Anwar

(74) *Attorney, Agent, or Firm* — Wood Herron & Evans LLP

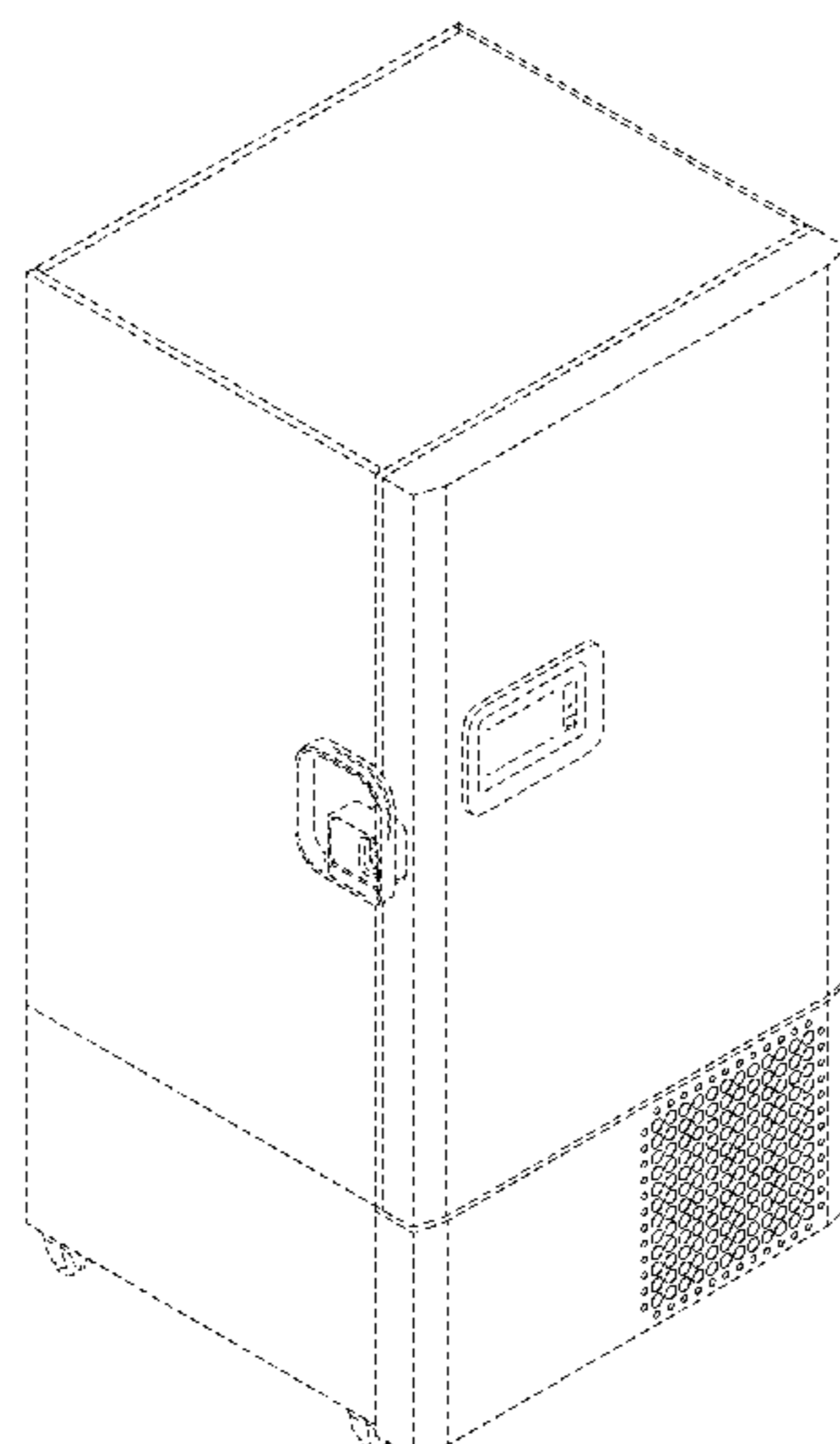
(57) **CLAIM**

The ornamental design for a grill, as shown and described.

DESCRIPTION

FIG. 1 is a front isometric view of the present invention; FIG. 2 is a detail front isometric view of the invention of FIG. 1; and, FIG. 3 is a front elevational view of the invention of FIG. 1. The broken dash lines in the figures represent non-claimed subject matter. Neither the broken dash line portions nor the broken dash lines themselves forms any part of the claimed invention.

1 Claim, 3 Drawing Sheets



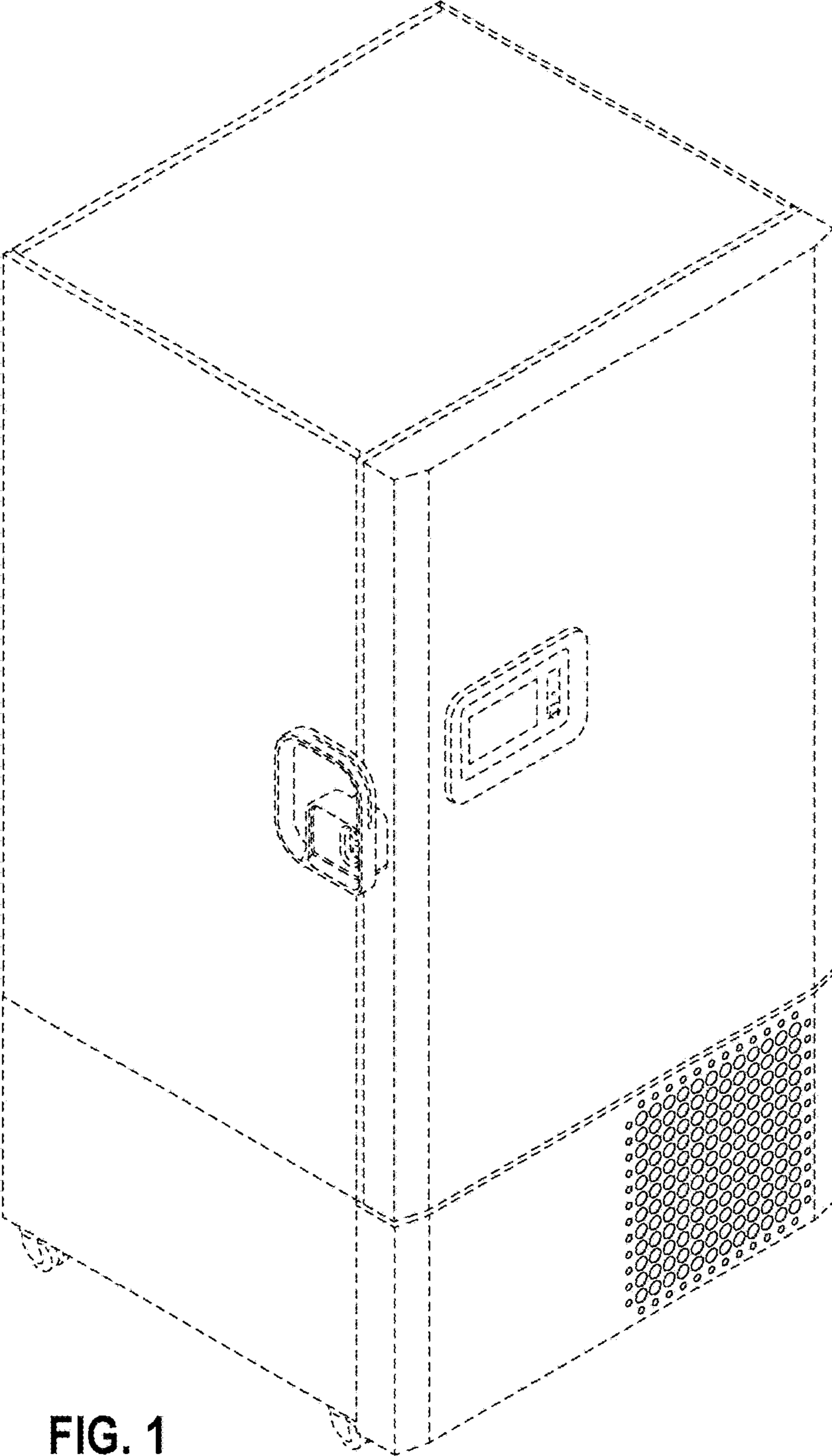


FIG. 1

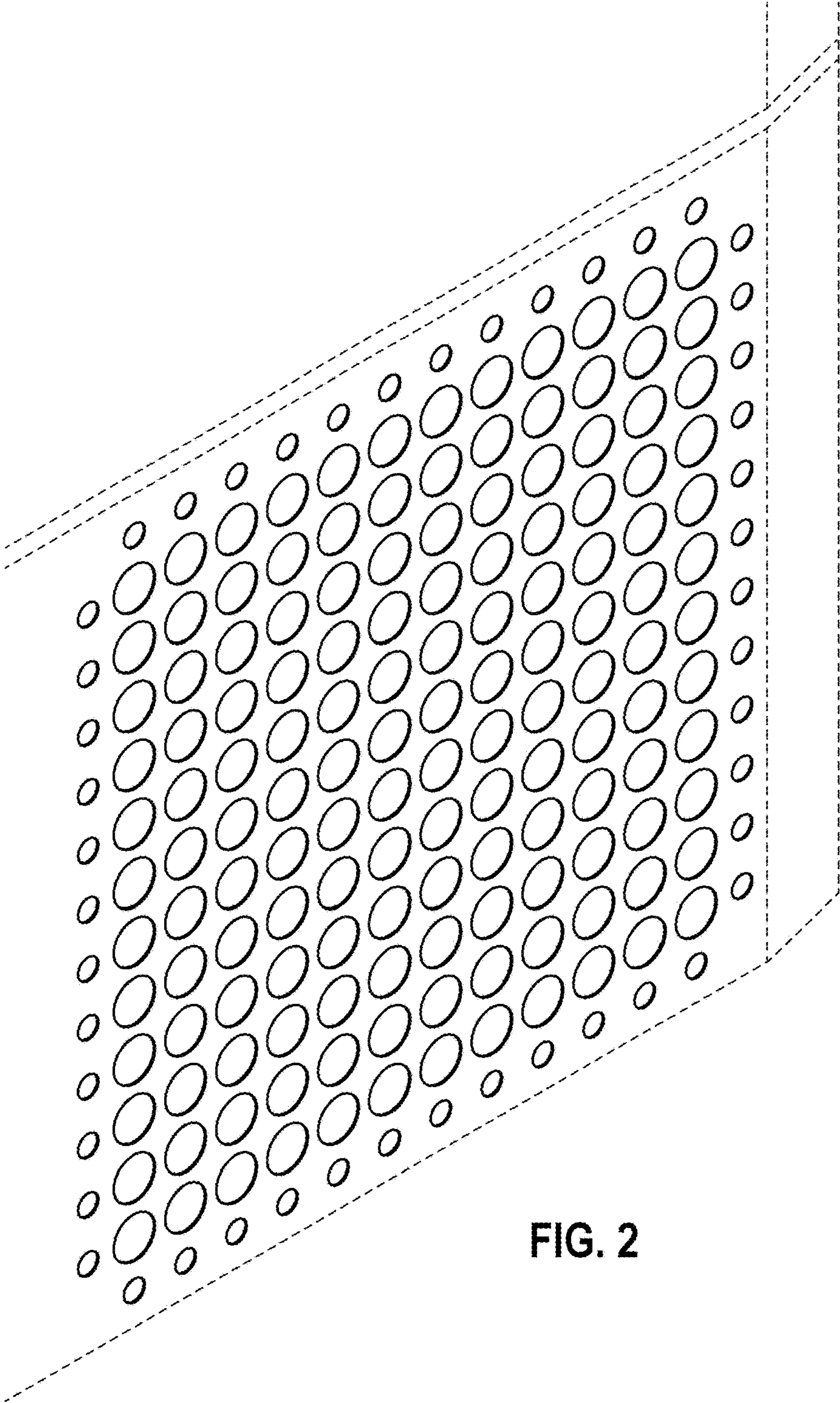


FIG. 2

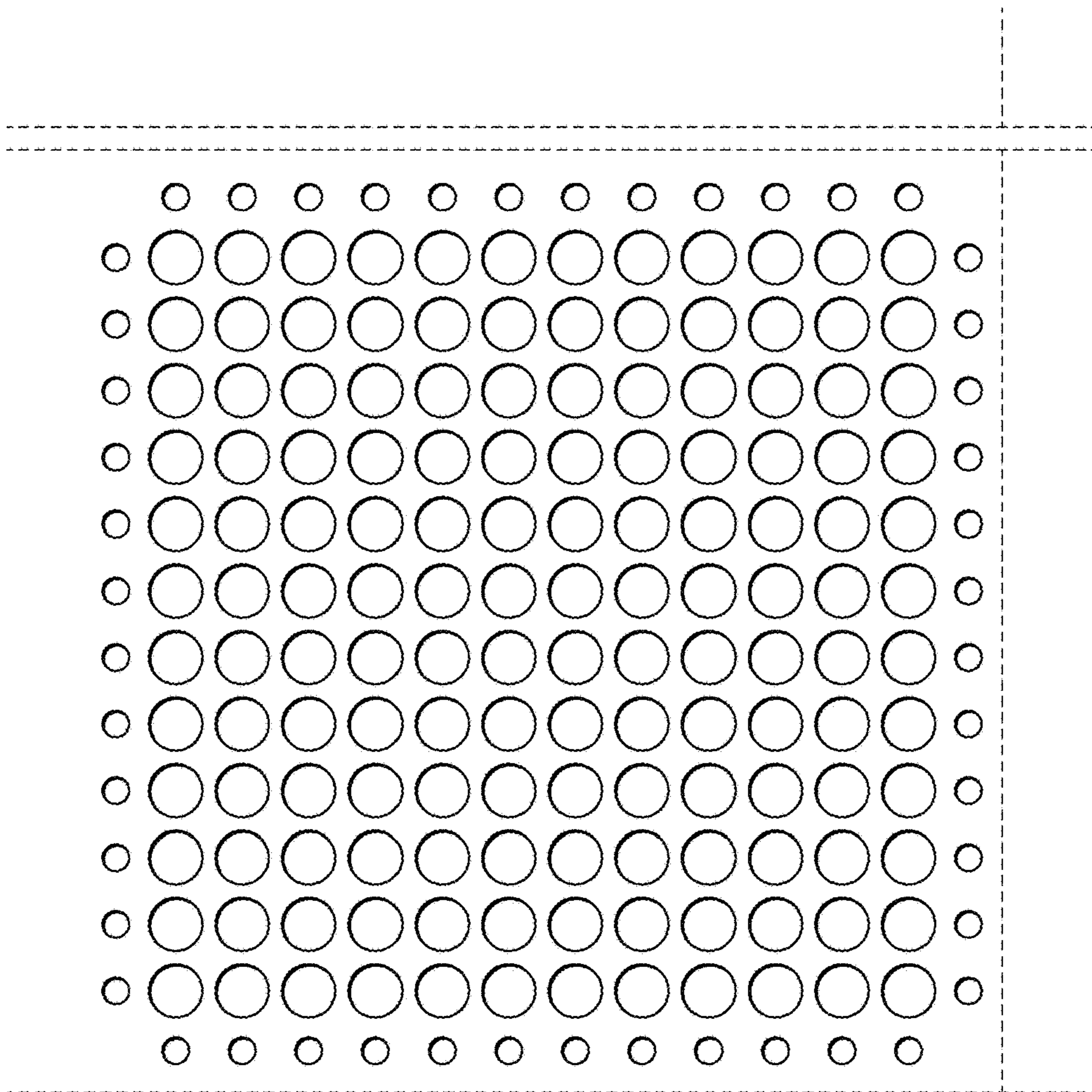


FIG. 3