

US00D864257S

(12) **United States Design Patent** (10) **Patent No.:** **US D864,257 S**
Lau (45) **Date of Patent:** **** Oct. 22, 2019**

- (54) **LAWN MOWER HANDLE**
- (71) Applicant: **TTI (MACAO COMMERCIAL OFFSHORE) LIMITED**, Macau (MO)
- (72) Inventor: **Hee Wing Lau**, Yuen Long (HK)
- (73) Assignee: **TTI (MACAO COMMERCIAL OFFSHORE) LIMITED**, Macau (MO)
- (**) Term: **15 Years**
- (21) Appl. No.: **29/662,713**
- (22) Filed: **Sep. 7, 2018**

Related U.S. Application Data

- (63) Continuation of application No. 29/602,905, filed on May 4, 2017, now Pat. No. Des. 845,352.
- (51) **LOC (12) Cl.** **15-03**
- (52) **U.S. Cl.**
USPC **D15/18**
- (58) **Field of Classification Search**
USPC D8/2; D15/11, 12, 13, 14, 16, 18, 21, D15/25, 28, 29
CPC A01C 17/008; A01C 15/02; A01G 29/00
See application file for complete search history.

(56) **References Cited**

U.S. PATENT DOCUMENTS

D165,810 S	1/1952	Wilkin	
D424,578 S	5/2000	Friberg et al.	
D451,932 S	12/2001	Dockery	
D584,749 S	1/2009	Smith et al.	
D586,827 S	2/2009	Andou et al.	
D629,428 S	12/2010	Paterson	
D642,595 S	8/2011	Martin et al.	
D676,876 S	2/2013	Martin et al.	
D685,397 S *	7/2013	Anderson	D15/28
D729,280 S *	5/2015	Naslund	D15/14

9,470,305 B2	10/2016	Kaskawitz et al.	
D777,795 S	1/2017	Martin et al.	
D783,685 S *	4/2017	Gruber	D15/11
D784,419 S *	4/2017	Gruber	D15/11
9,681,604 B2	6/2017	Bian et al.	
D805,110 S	12/2017	Li	
D829,772 S *	10/2018	Blenkush	D15/13
D829,773 S *	10/2018	Stewart	D15/13
D832,895 S *	11/2018	Dekker	D15/32
D834,072 S *	11/2018	Naslund	D15/14
D844,673 S *	4/2019	Stolarski	D15/11
2013/0312566 A1	11/2013	Shaffer	

* cited by examiner

Primary Examiner — Mark A Goodwin
Assistant Examiner — Benjamin M Weeks
(74) *Attorney, Agent, or Firm* — Michael Best & Friedrich LLP

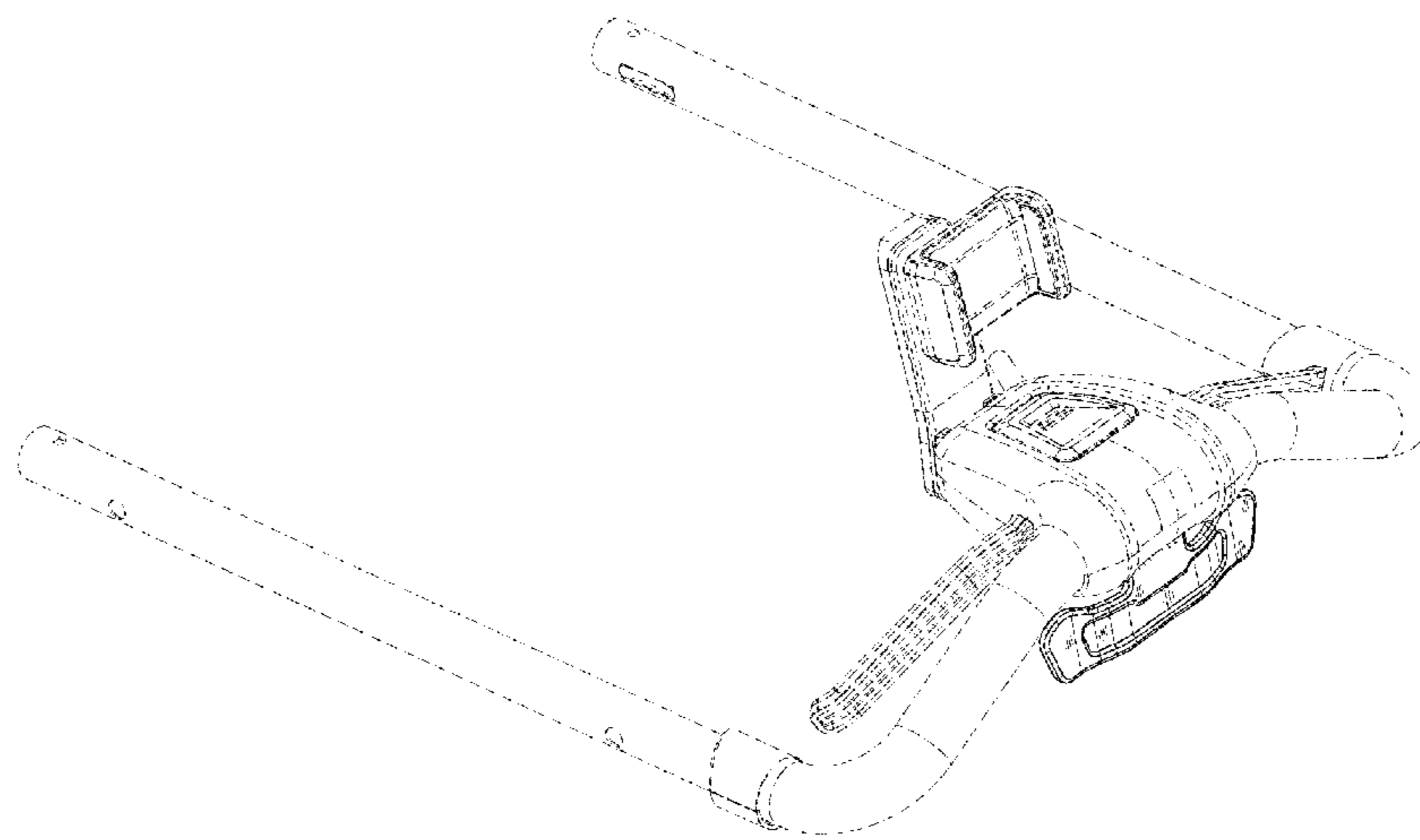
(57) **CLAIM**

I claim the ornamental design for a lawn mower handle, as shown and described.

DESCRIPTION

FIG. 1 is a perspective view of a lawn mower handle.
FIG. 2 is a front view of the lawn mower shown handle in FIG. 1.
FIG. 3 is a rear view of the lawn mower handle shown in FIG. 1.
FIG. 4 is a top view of the lawn mower handle shown in FIG. 1.
FIG. 5 is a bottom view of the lawn mower handle shown in FIG. 1.
FIG. 6 is a right side view of the lawn mower handle shown in FIG. 1; and,
FIG. 7 is a left side view of the lawn mower handle shown in FIG. 1.
The broken lines represent portions of the lawn mower handle that form no part of the claimed design.

1 Claim, 7 Drawing Sheets



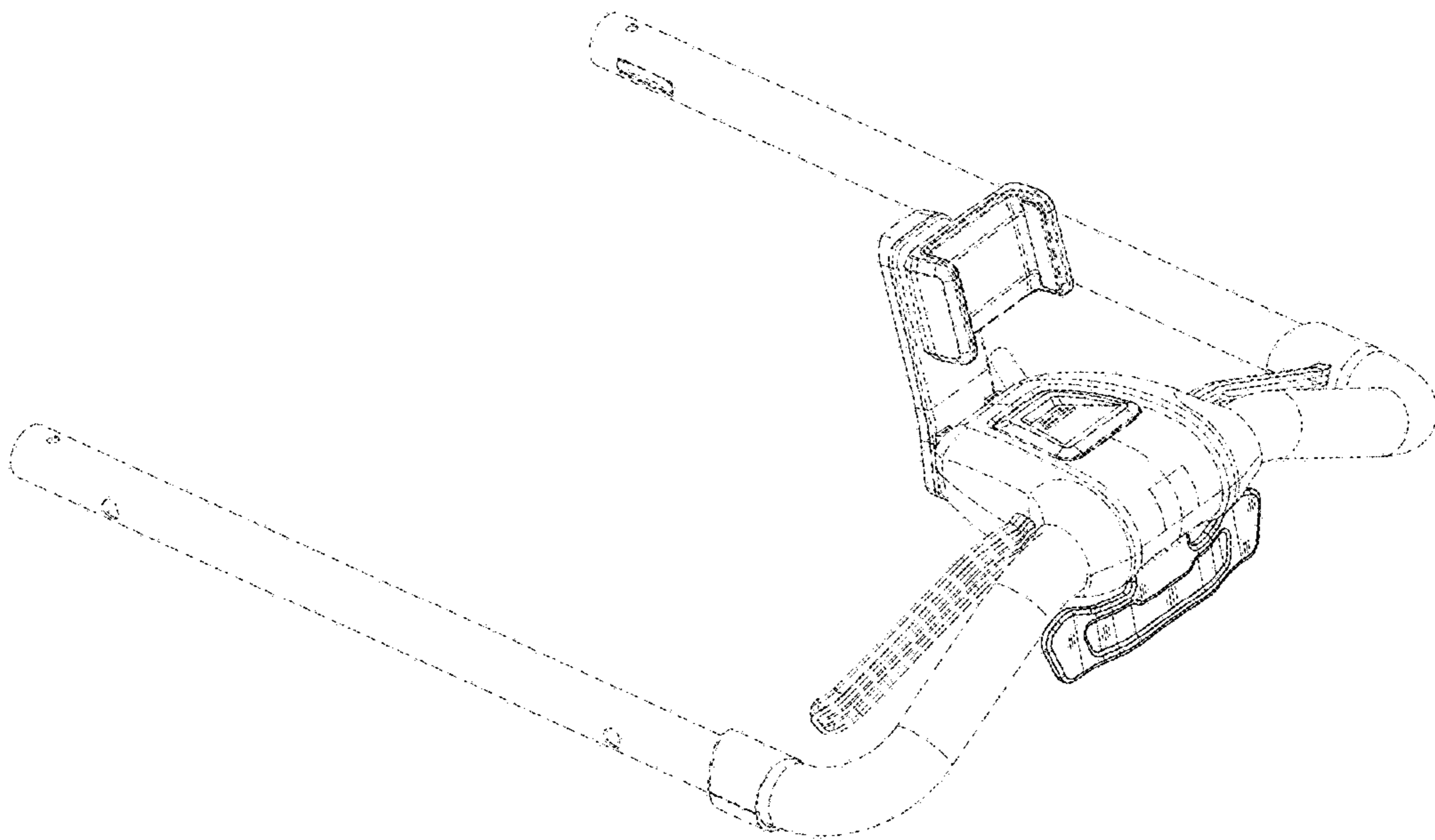


FIG. 1

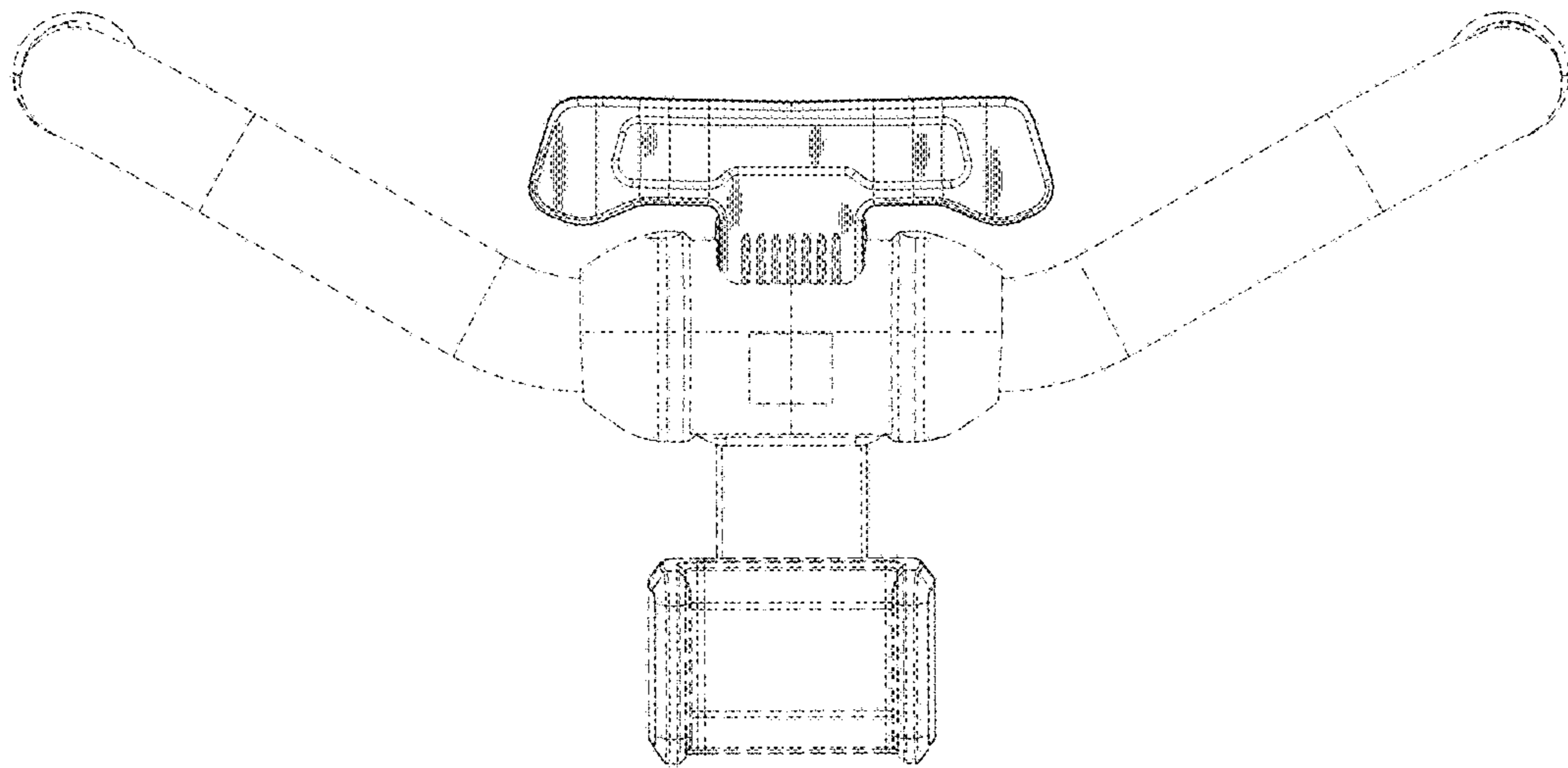


FIG. 2

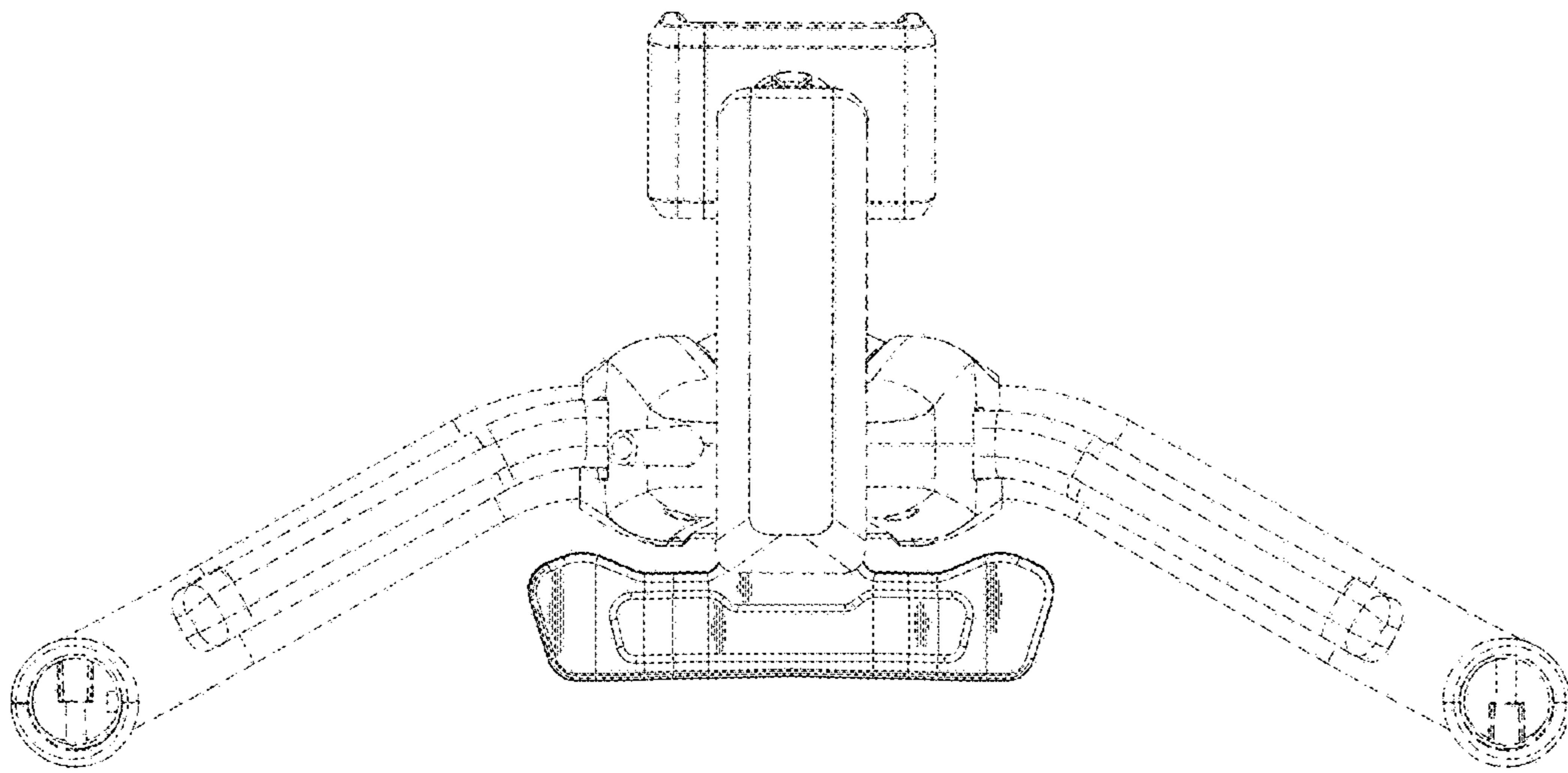


FIG. 3

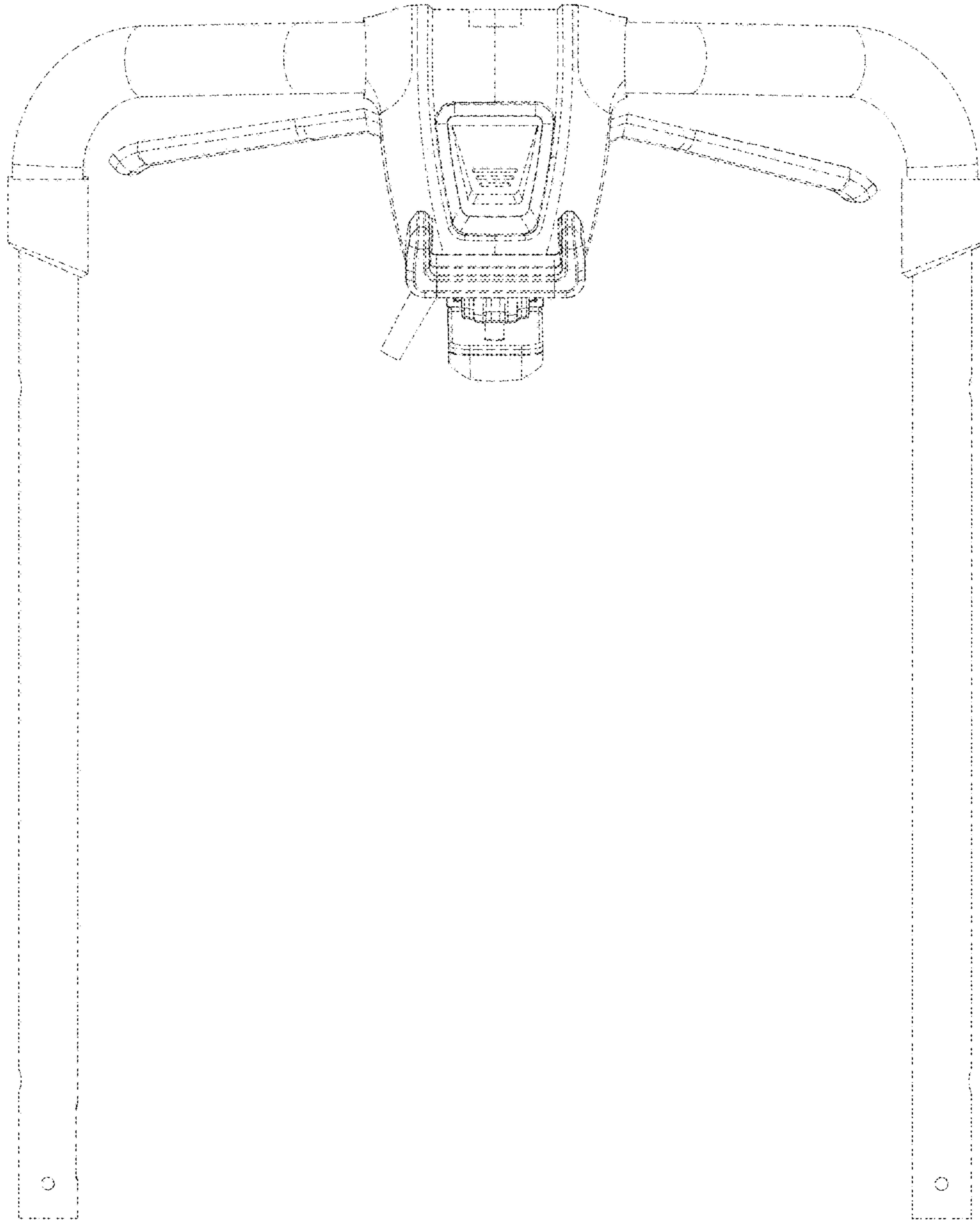


FIG. 4

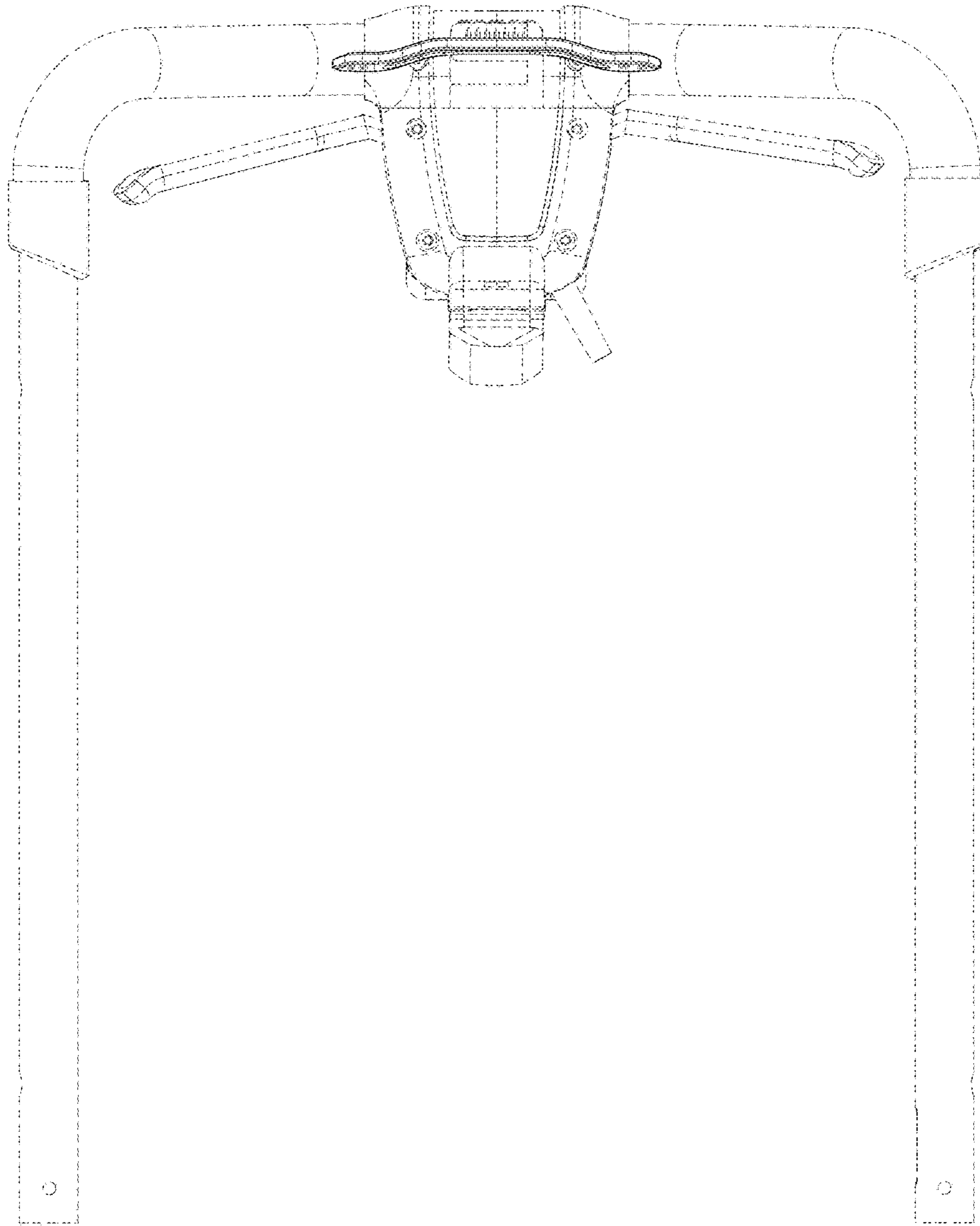


FIG. 5

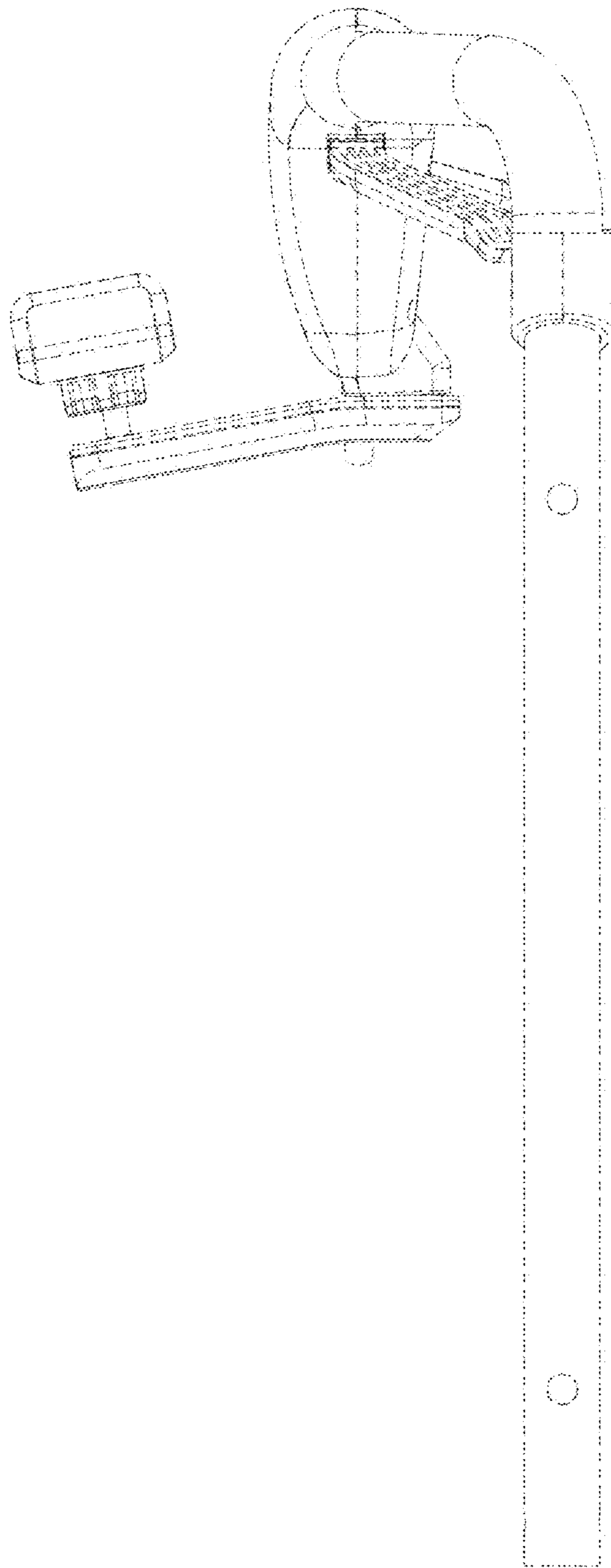


FIG. 6

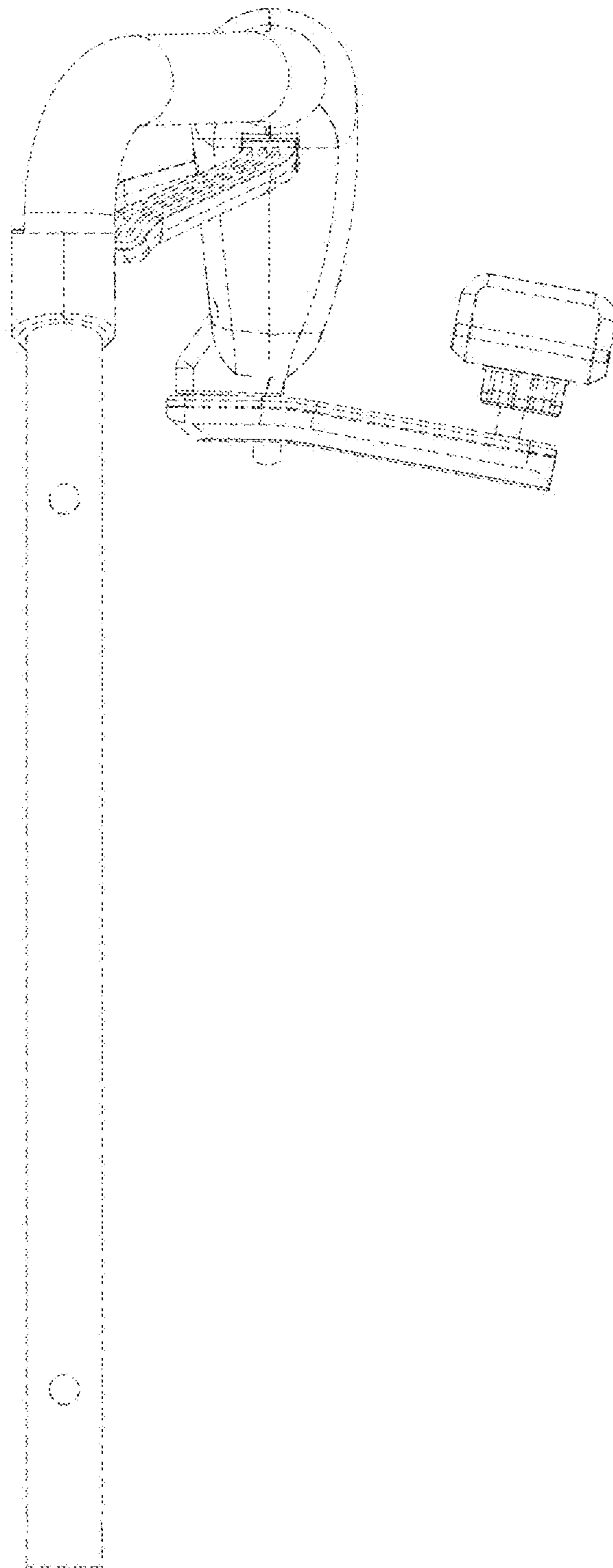


FIG. 7

UNITED STATES PATENT AND TRADEMARK OFFICE
CERTIFICATE OF CORRECTION

PATENT NO. : D864,257 S
APPLICATION NO. : 29/662713
DATED : October 22, 2019
INVENTOR(S) : Hee Wing Lau

Page 1 of 1

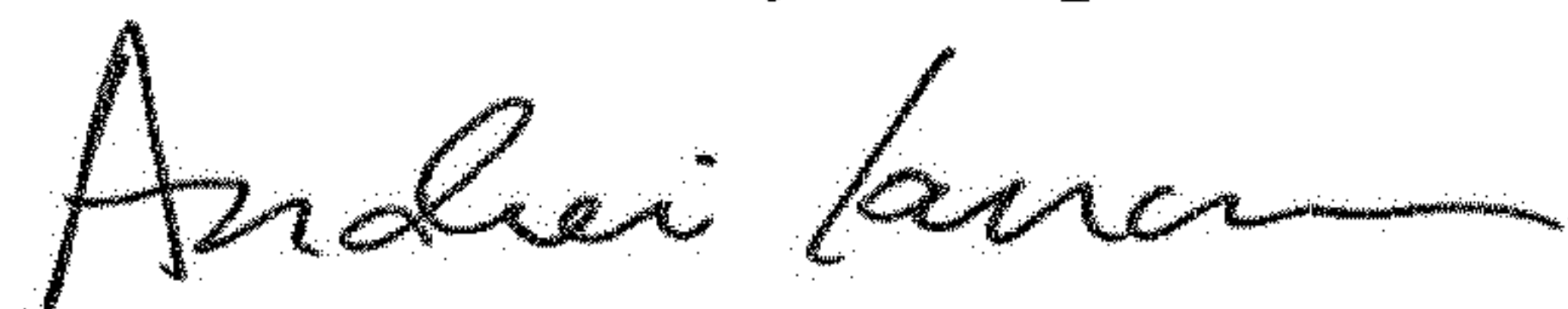
It is certified that error appears in the above-identified patent and that said Letters Patent is hereby corrected as shown below:

On the Title Page

Insert item (30) Foreign Application Priority Data:

--(30) Foreign Application Priority Data
Nov. 4, 2016 (CN) 2016 3 0536263.4--.

Signed and Sealed this
Fourteenth Day of April, 2020



Andrei Iancu
Director of the United States Patent and Trademark Office