



US00D864256S

(12) **United States Design Patent** (10) **Patent No.:** **US D864,256 S**
Eidson et al. (45) **Date of Patent:** **** Oct. 22, 2019**

(54) **ROBOTIC MOWER WHEELS**
(71) Applicant: **HUSQVARNA AB**, Huskvarna (SE)
(72) Inventors: **David Eidson**, Charlotte, NC (US);
Tiawaun Phillips, Cheraw, SC (US)
(73) Assignee: **HUSQVARNA AB**, Huskvarna (SE)
(**) Term: **15 Years**
(21) Appl. No.: **29/641,628**
(22) Filed: **Mar. 23, 2018**
(51) **LOC (12) Cl.** **15-03**
(52) **U.S. Cl.**
USPC **D15/17; D12/592**
(58) **Field of Classification Search**
USPC D15/14, 17, 18; 56/11.9, 17.5, 13.4,
56/12.8, 16.7, 202, 255, 294, 295, 320.1,
56/320.2; 180/900, 89.1, 89.12;
D12/501, 204, 206, 207, 208, 210, 605;
D21/779
CPC A01D 34/008; A01D 34/81; A01D 34/416;
A01D 34/4166; A01D 34/4167; A01D
34/87; A01D 34/90; B60L 1/003; B60L
3/0061; B60L 11/1803; B60L 11/1805;
B60L 11/1877; B60L 15/20; B60L
2260/28; B60L 2200/40; B60L 2220/16;
B60L 2220/46; B60L 2240/36; B60L
2240/421; A01G 3/04; A01G 3/0435;
B60B 3/001; B60B 3/004; B60B 5/02;
B60B 5/00
See application file for complete search history.

(56) **References Cited**
U.S. PATENT DOCUMENTS
D225,989 S * 1/1973 Chadwick D12/207
D325,011 S * 3/1992 Markling D12/210
D328,053 S * 7/1992 Markling D12/501
D390,576 S * 2/1998 Shimamura D15/14
D414,724 S * 10/1999 Lu D12/501

D420,365 S 2/2000 Gunnar
D445,080 S * 7/2001 Bruns D12/210
D451,931 S 12/2001 Abramson et al.
D466,962 S * 12/2002 Chen D21/779
D480,436 S * 10/2003 Hong D21/423
D504,901 S 5/2005 Wickström et al.
D523,805 S * 6/2006 Martin D12/501
D530,726 S * 10/2006 Martin D15/17
D559,867 S 1/2008 Abramson
D570,070 S * 5/2008 Morris D12/204
D603,783 S * 11/2009 Carlton D12/501
(Continued)

Primary Examiner — Mark A Goodwin
(74) *Attorney, Agent, or Firm* — Burr & Forman LLP

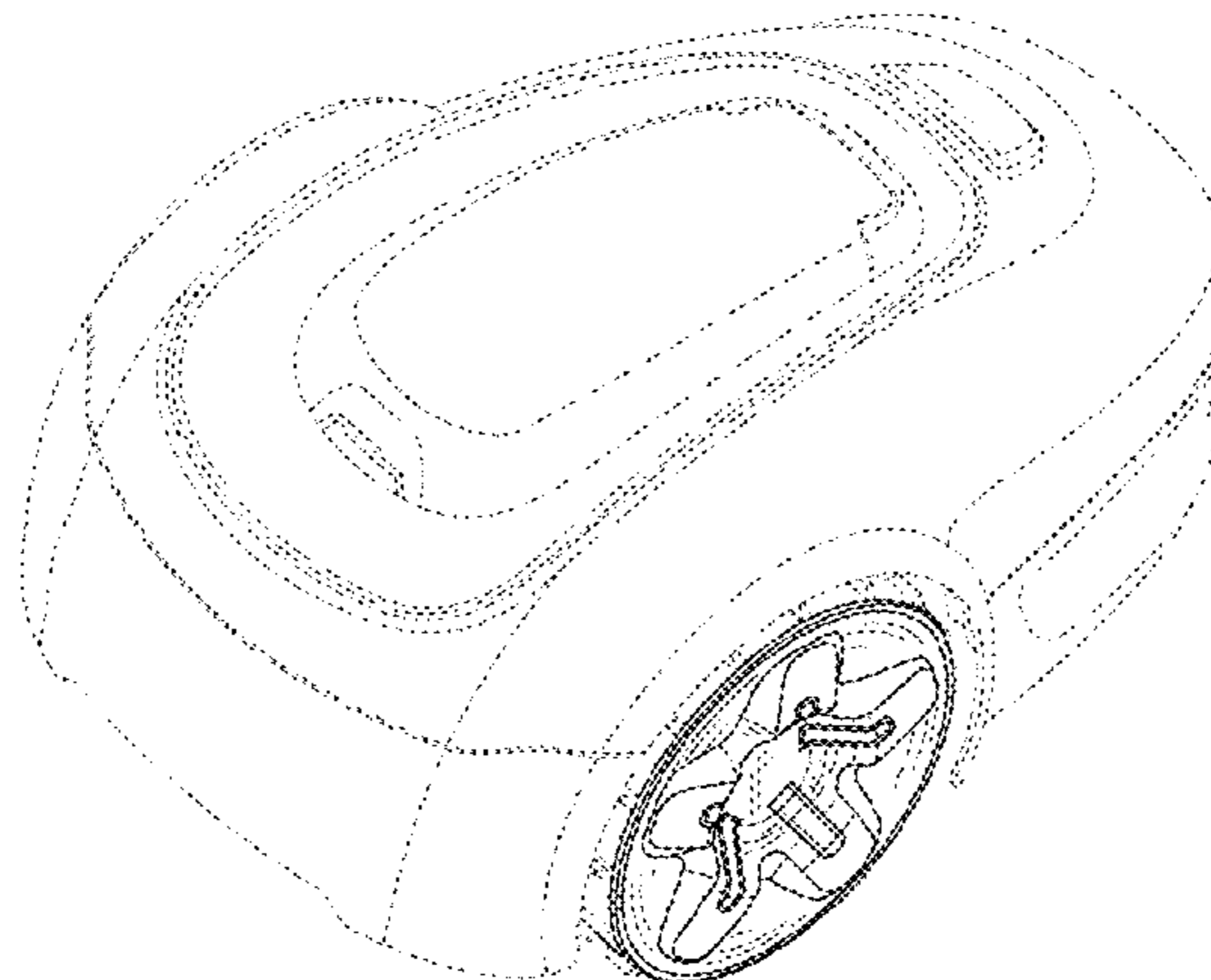
(57) **CLAIM**

The ornamental design for the robotic mower wheels, as shown and described.

DESCRIPTION

FIG. 1 is a perspective view of robotic mower wheels in accordance with an embodiment of the present invention; FIG. 2 is a rear view of the robotic mower wheels of FIG. 1; FIG. 3 is a front view of the robotic mower wheels of FIG. 1; FIG. 4 is a right side view of the robotic mower wheels of FIG. 1; FIG. 5 is a left side view of the robotic mower wheels of FIG. 1; FIG. 6 is a top view of the robotic mower wheels of FIG. 1; and, FIG. 7 is a bottom view of the robotic mower wheels of FIG. 1. The broken line showing of a robotic mower in FIGS. 1-7 is included for the purpose of illustrating environmental subject matter only and the broken line showing of the tread pattern on the wheels is included for illustrating portions of the robotic mower wheels and forms no part of the claimed design.

1 Claim, 6 Drawing Sheets



(56)

References Cited

U.S. PATENT DOCUMENTS

D652,431 S 1/2012 Näslund
D656,163 S 3/2012 Johansson et al.
D678,352 S 3/2013 Maeda et al.
D679,294 S 4/2013 Tajik et al.
D679,295 S 4/2013 Tajik et al.
D681,065 S 4/2013 Maeda
D688,276 S 8/2013 Näslund
D714,351 S * 9/2014 Martin D15/17
D718,339 S 11/2014 Damshak et al.
D721,151 S * 1/2015 Piper D21/779
D729,280 S 5/2015 Näslund et al.
9,096,097 B2 * 8/2015 Trent, III B65F 1/1473
D745,897 S 12/2015 Mehra et al.
D781,926 S 3/2017 Al-Hashimi et al.
D782,391 S * 3/2017 Schaedler B60C 11/0311
D12/501
2014/0047812 A1 * 2/2014 Johansson A01D 34/82
56/16.7
2016/0214435 A1 * 7/2016 Schaedler B60C 11/0311

* cited by examiner

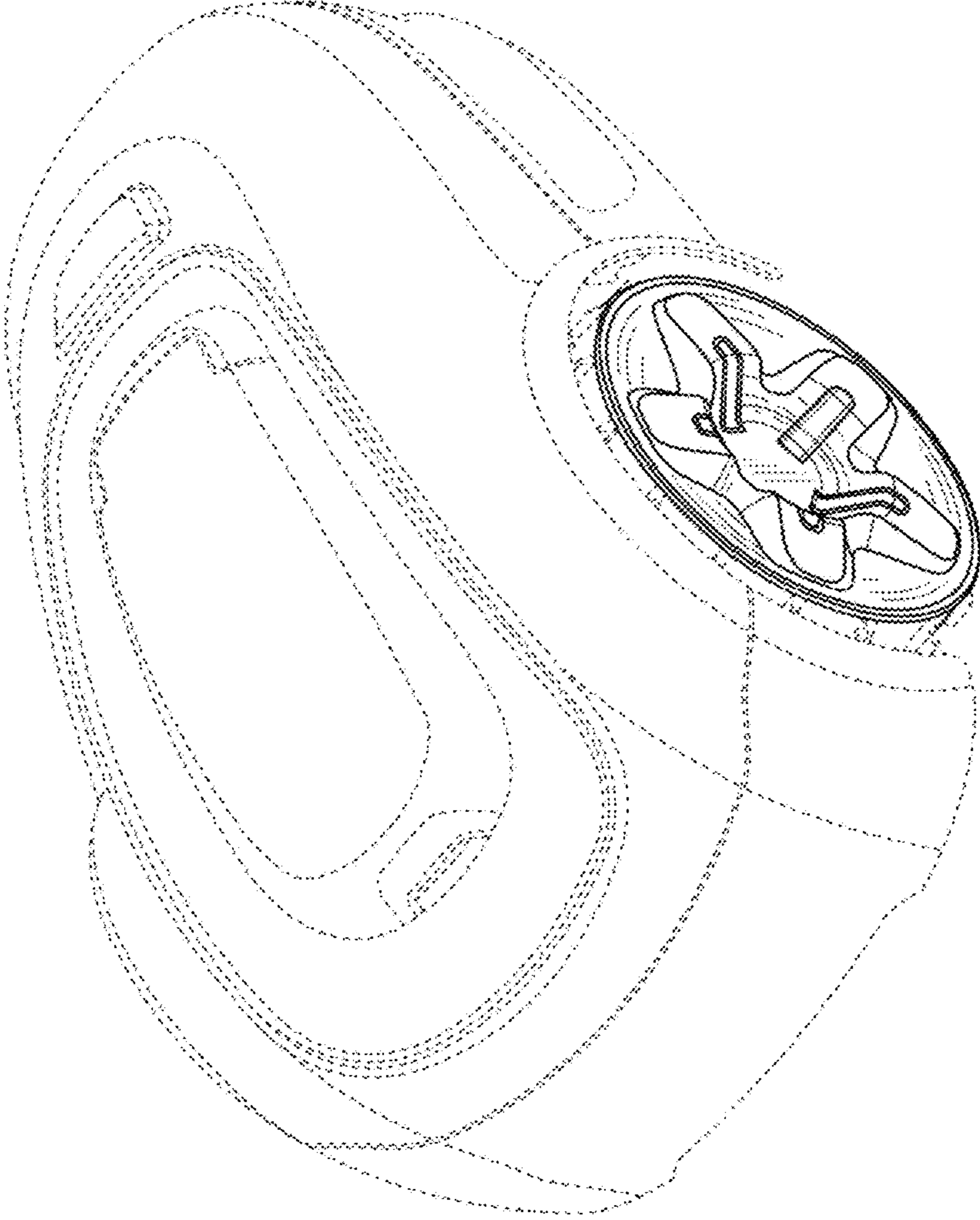


FIG. 1

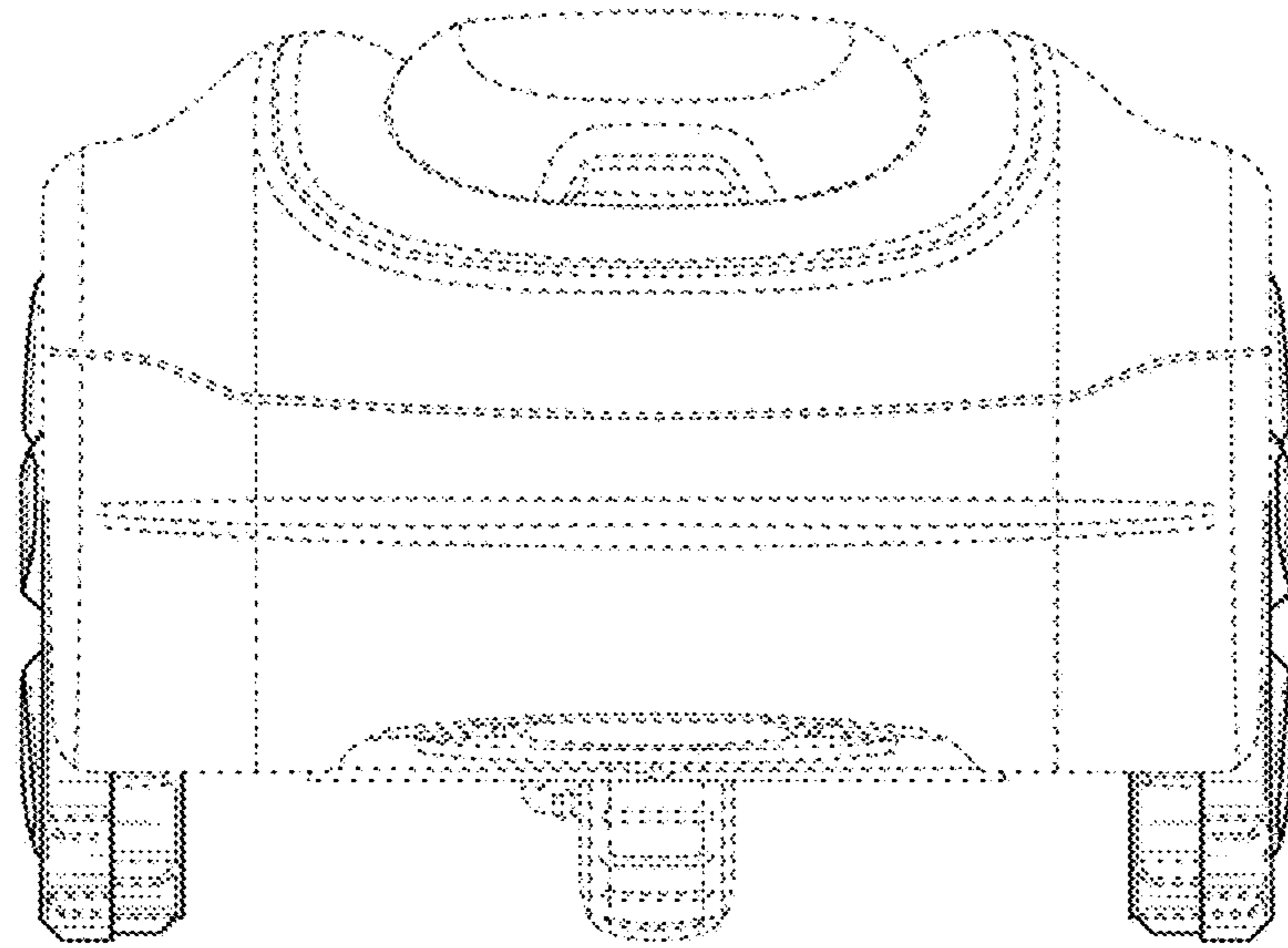


FIG. 2

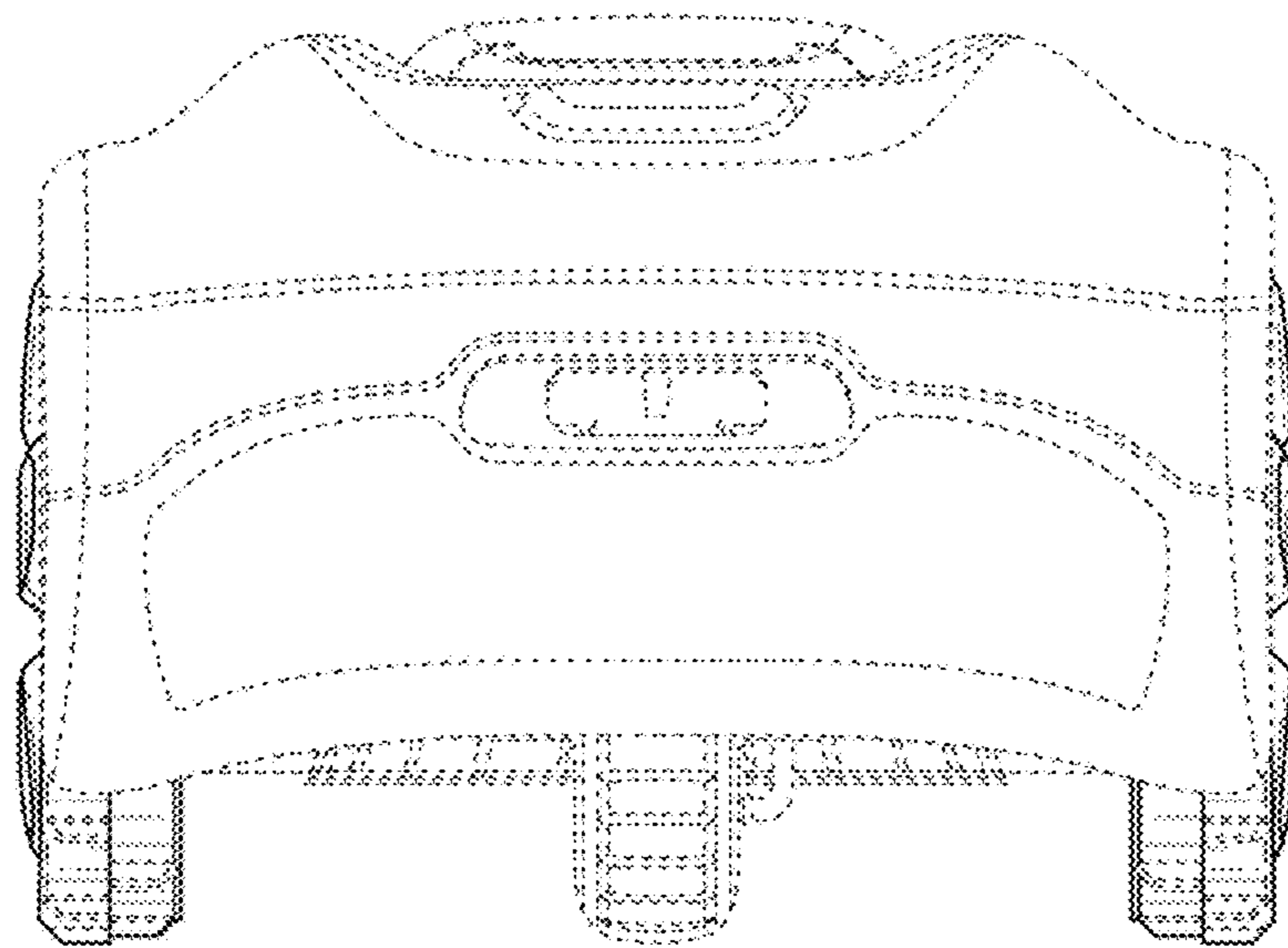


FIG. 3

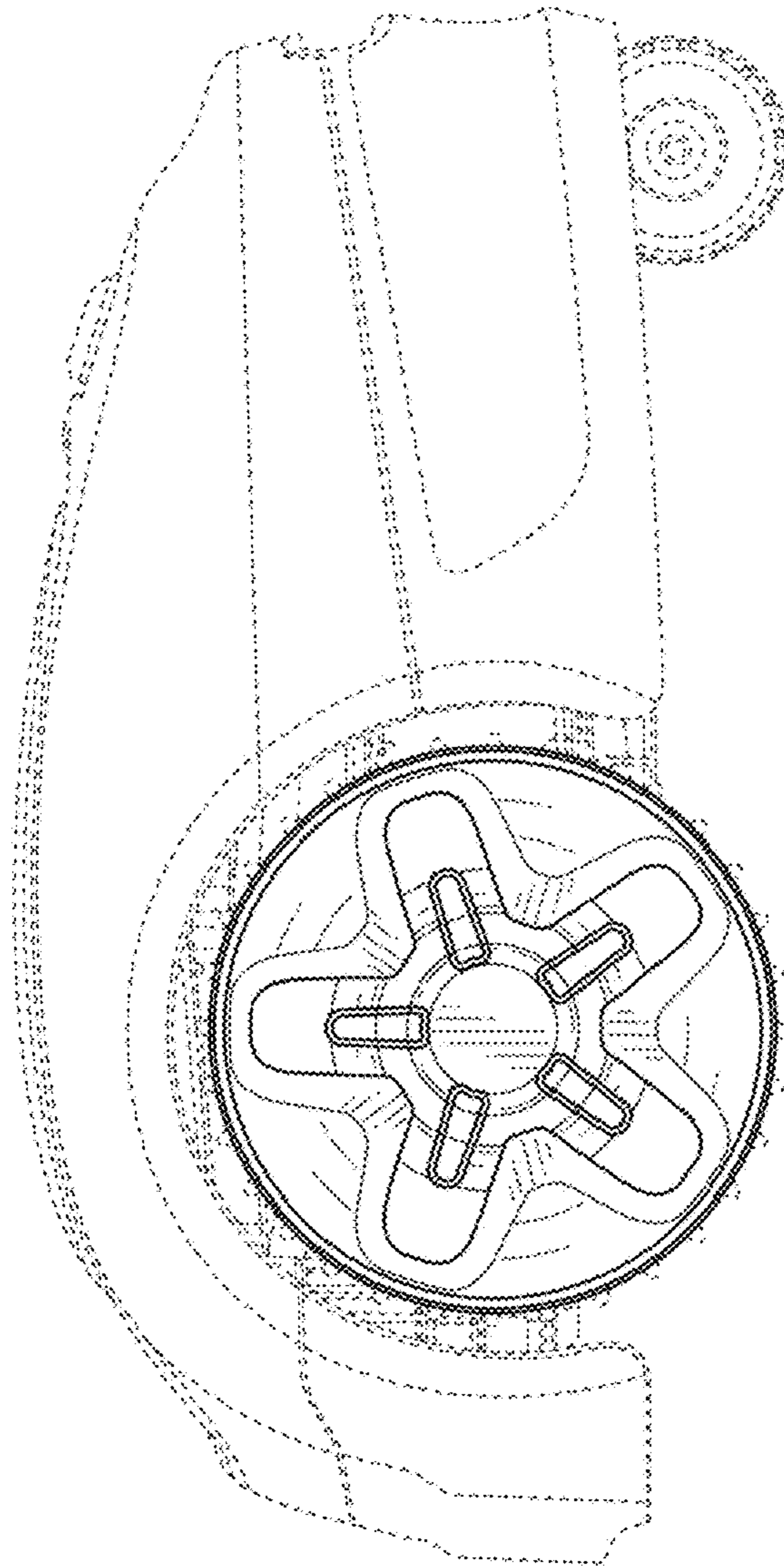


FIG. 4

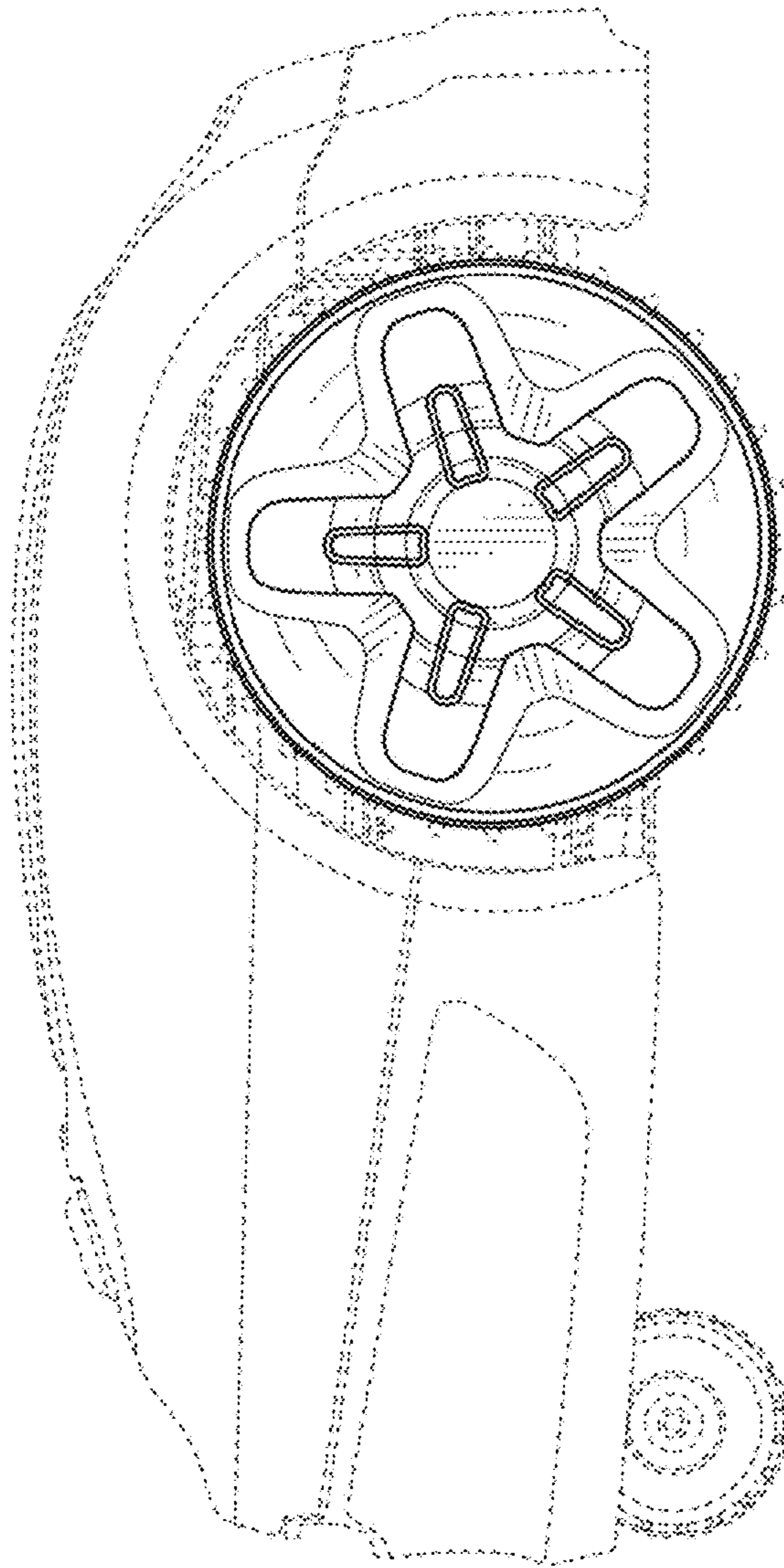


FIG. 5

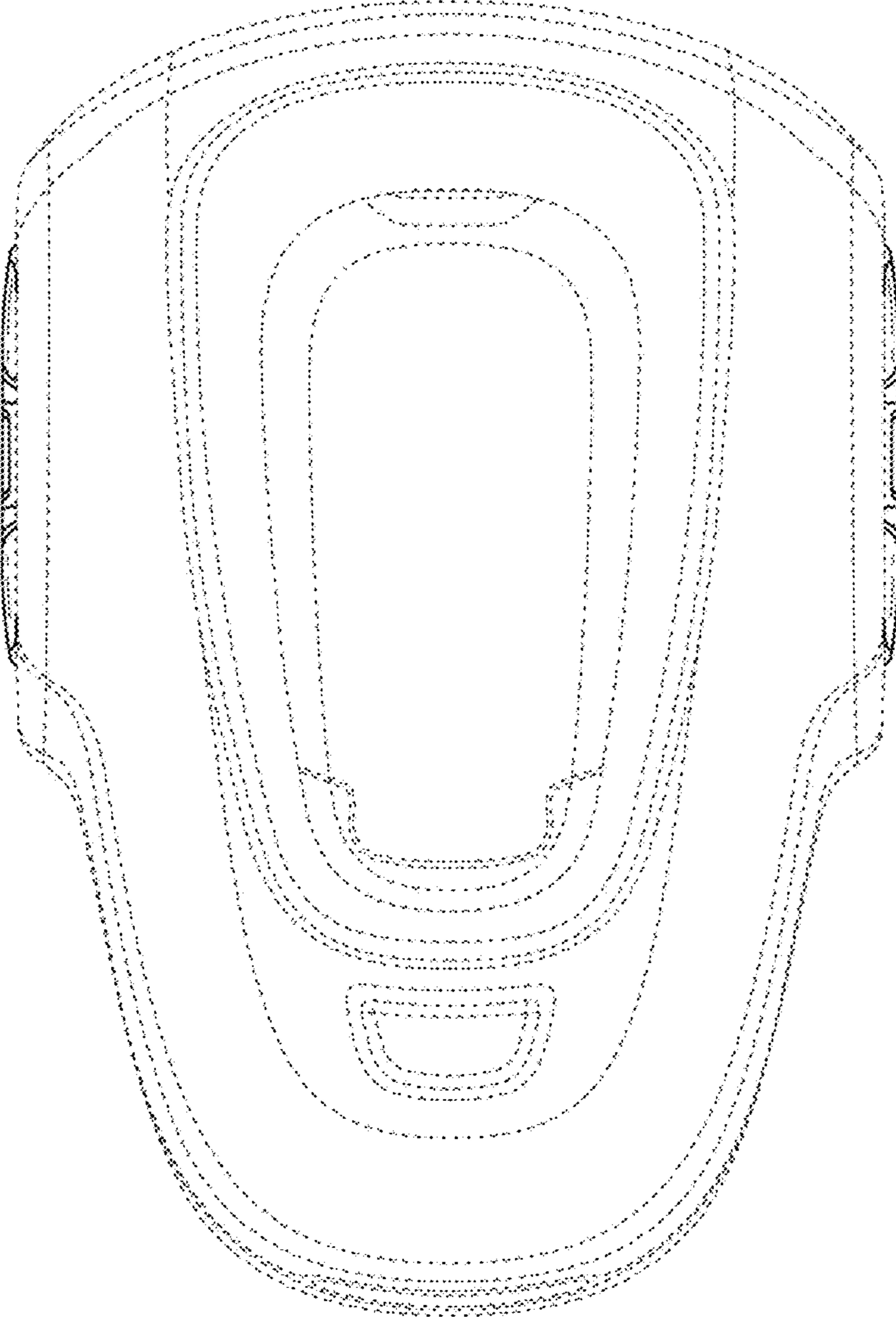


FIG. 6

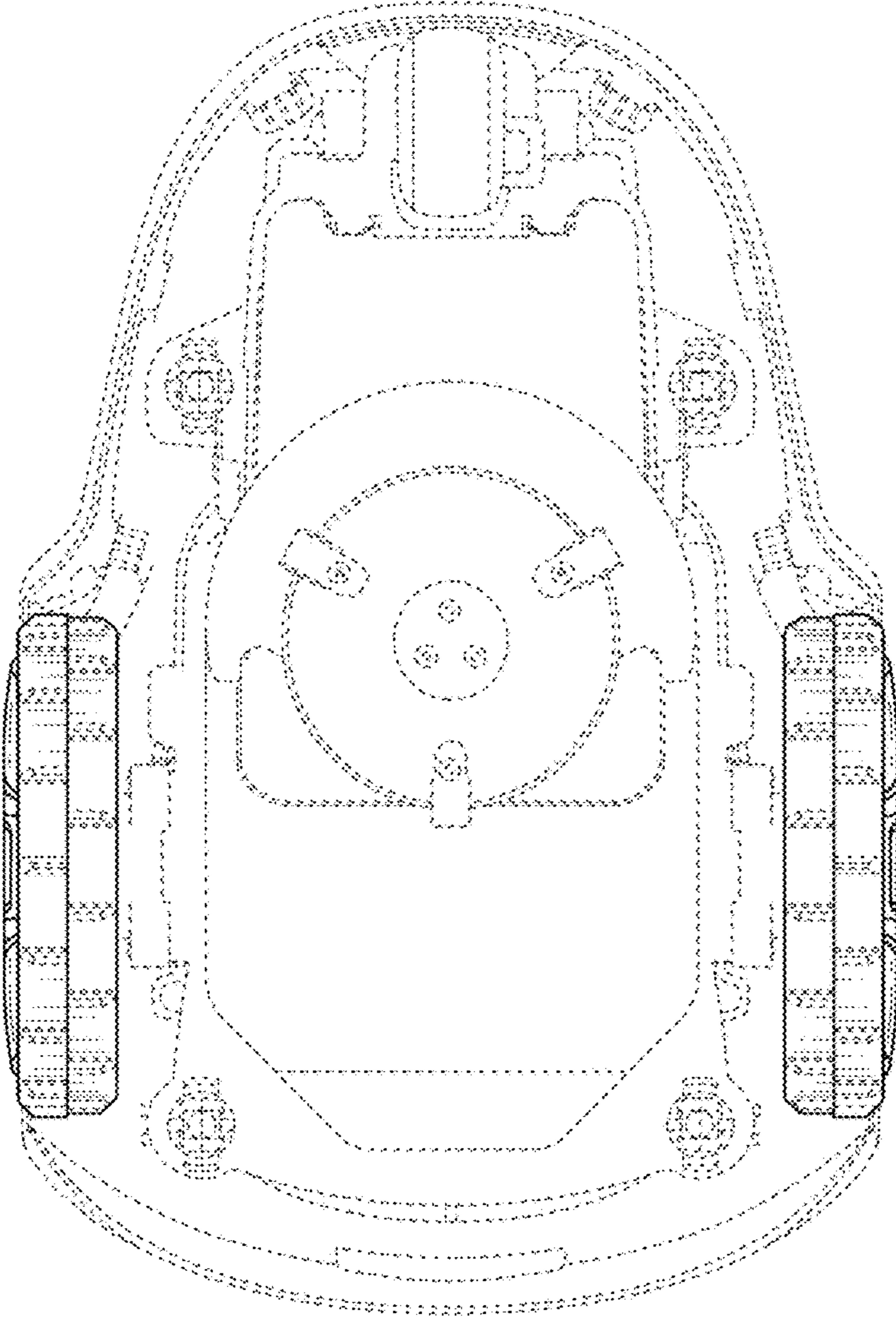


FIG. 7