

US00D864255S

(12) **United States Design Patent** (10) **Patent No.:** **US D864,255 S**
Aych (45) **Date of Patent:** **** Oct. 22, 2019**

(54) **AUTOMATIC GAS PUMP**
 (71) Applicant: **Derrick Aych**, Magnolia, MS (US)
 (72) Inventor: **Derrick Aych**, Magnolia, MS (US)
 (**) Term: **15 Years**
 (21) Appl. No.: **29/658,045**
 (22) Filed: **Jul. 27, 2018**
 (51) **LOC (12) Cl.** **15-02**
 (52) **U.S. Cl.**
 USPC **D15/9.1**
 (58) **Field of Classification Search**
 USPC D15/9.1, 9.2, 150, 151, 152, 199
 CPC B67D 7/228
 See application file for complete search history.

(56) **References Cited**
 U.S. PATENT DOCUMENTS
 D184,182 S * 12/1958 Loy D15/9.2
 D186,726 S * 11/1959 Hutchins D15/9.1
 D186,824 S * 12/1959 Bowden D15/9.2
 D190,924 S * 7/1961 Bowden D15/9.2
 D191,411 S * 9/1961 Spitzberg et al. D15/9.1
 D193,209 S * 7/1962 Kamp D15/9.1
 D193,577 S * 9/1962 Sasnett D15/9.1
 D201,568 S * 7/1965 Sasnett D15/9.1
 3,641,536 A * 2/1972 Prosprich B67D 7/228
 222/23

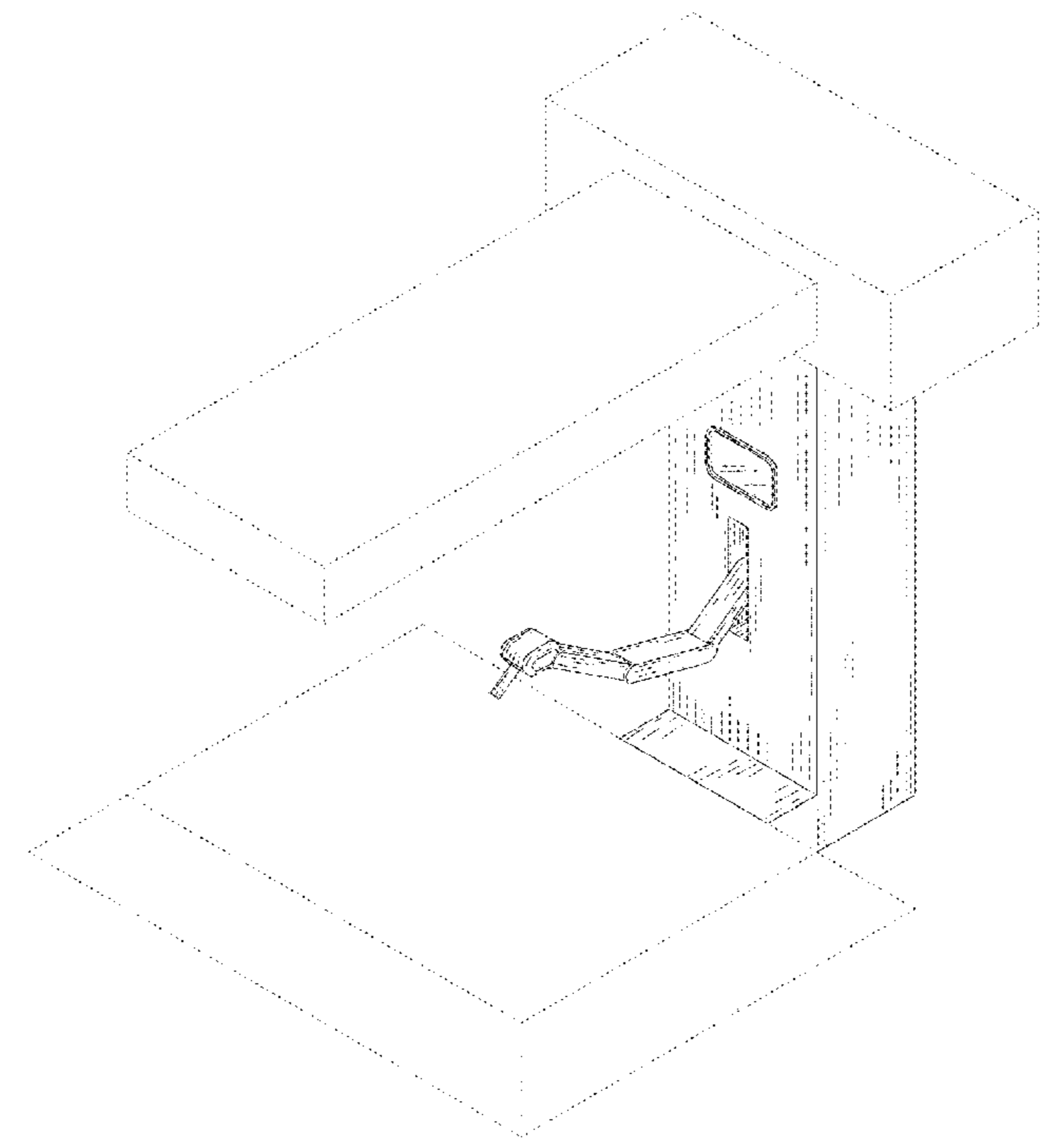
3,823,751 A * 7/1974 Healy B67D 7/445
 141/198
 D232,969 S * 9/1974 Breger et al. D15/9.1
 D250,429 S * 11/1978 Batson D15/9.1
 D264,471 S * 5/1982 Rowan D15/9.2
 D276,370 S * 11/1984 Baffo D25/1
 D276,371 S * 11/1984 Baffo D25/1
 D303,803 S * 10/1989 Phillips D15/9.2
 D331,100 S * 11/1992 Jacobsen D23/271

* cited by examiner
Primary Examiner — Patricia A Palasik

(57) **CLAIM**
 The ornamental design for an automatic gas pump, as shown and described.

DESCRIPTION
 FIG. 1 is a top right perspective view of an automatic gas pump showing my new design;
 FIG. 2 is a top left perspective view thereof;
 FIG. 3 is a bottom left perspective view thereof;
 FIG. 4 is a front view thereof;
 FIG. 5 is a back view thereof;
 FIG. 6 is a top view thereof;
 FIG. 7 is a bottom view thereof;
 FIG. 8 is a left view thereof; and,
 FIG. 9 is a right view thereof.
 The broken line showing of the base sensor in FIG. 1-9 and the broken line showing of the roof sensor in FIG. 1-9 is included for the purpose of showing environmental structure and forms no part of the claimed design.

1 Claim, 9 Drawing Sheets



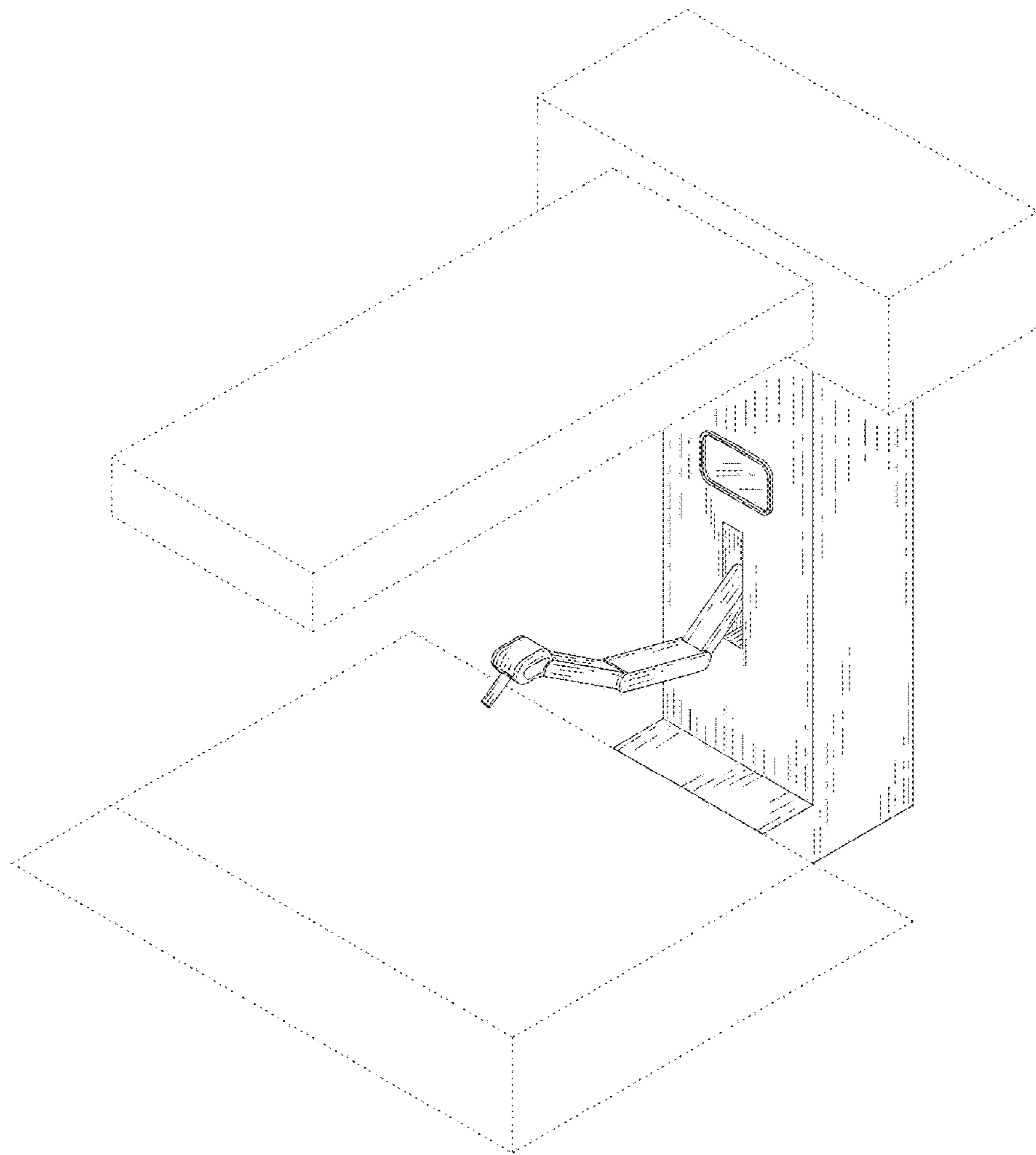


FIG. 1

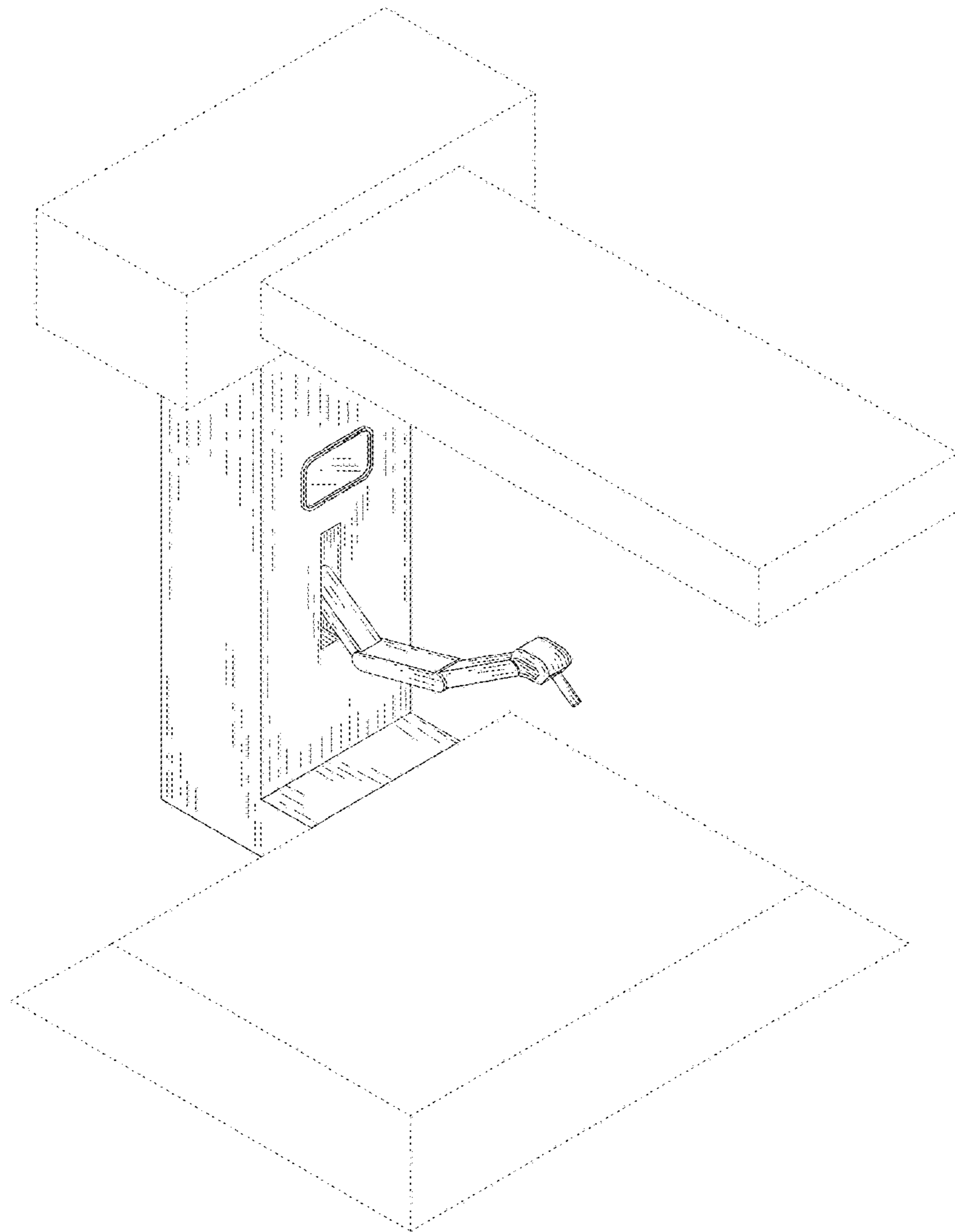


FIG. 2

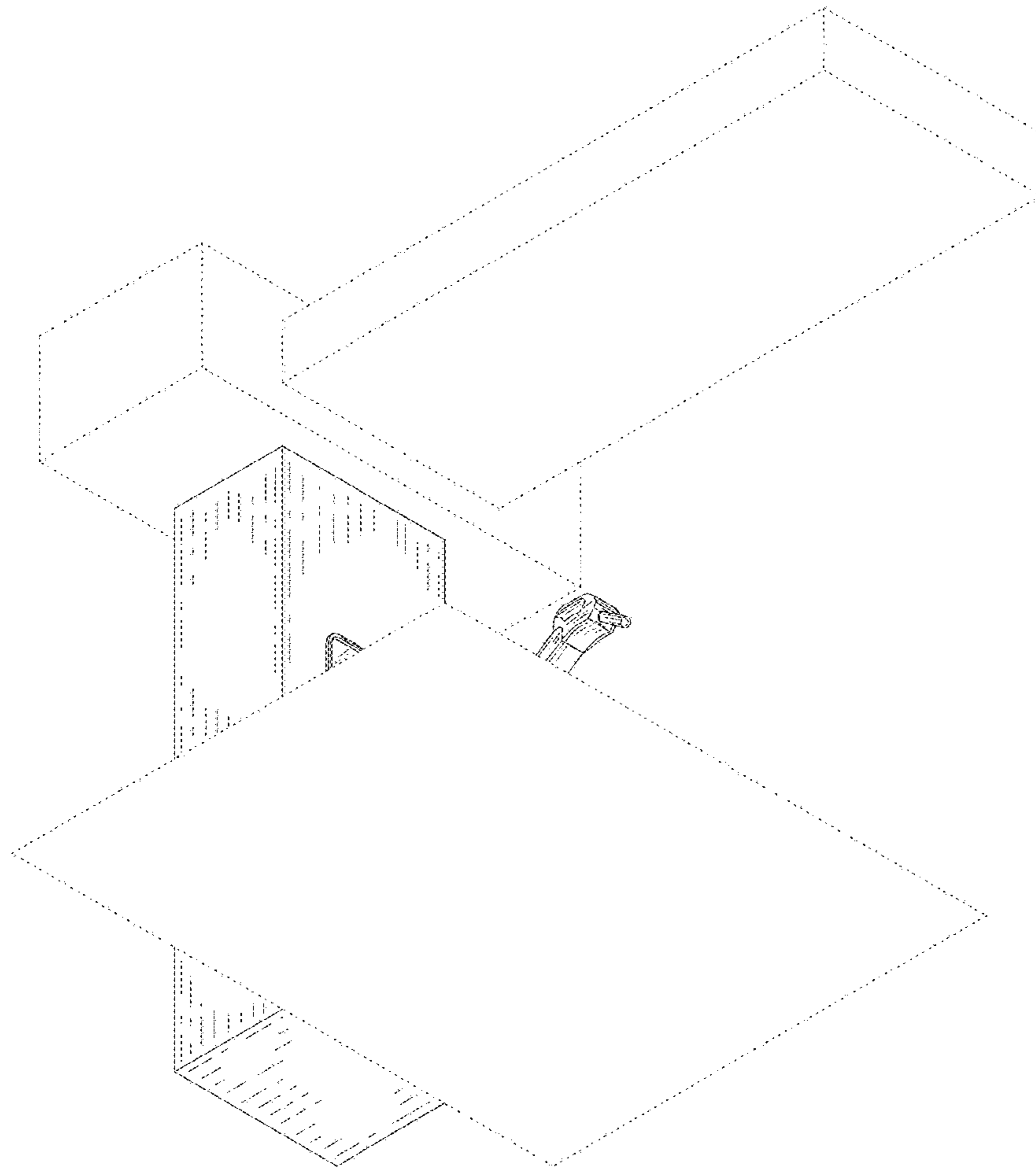


FIG. 3

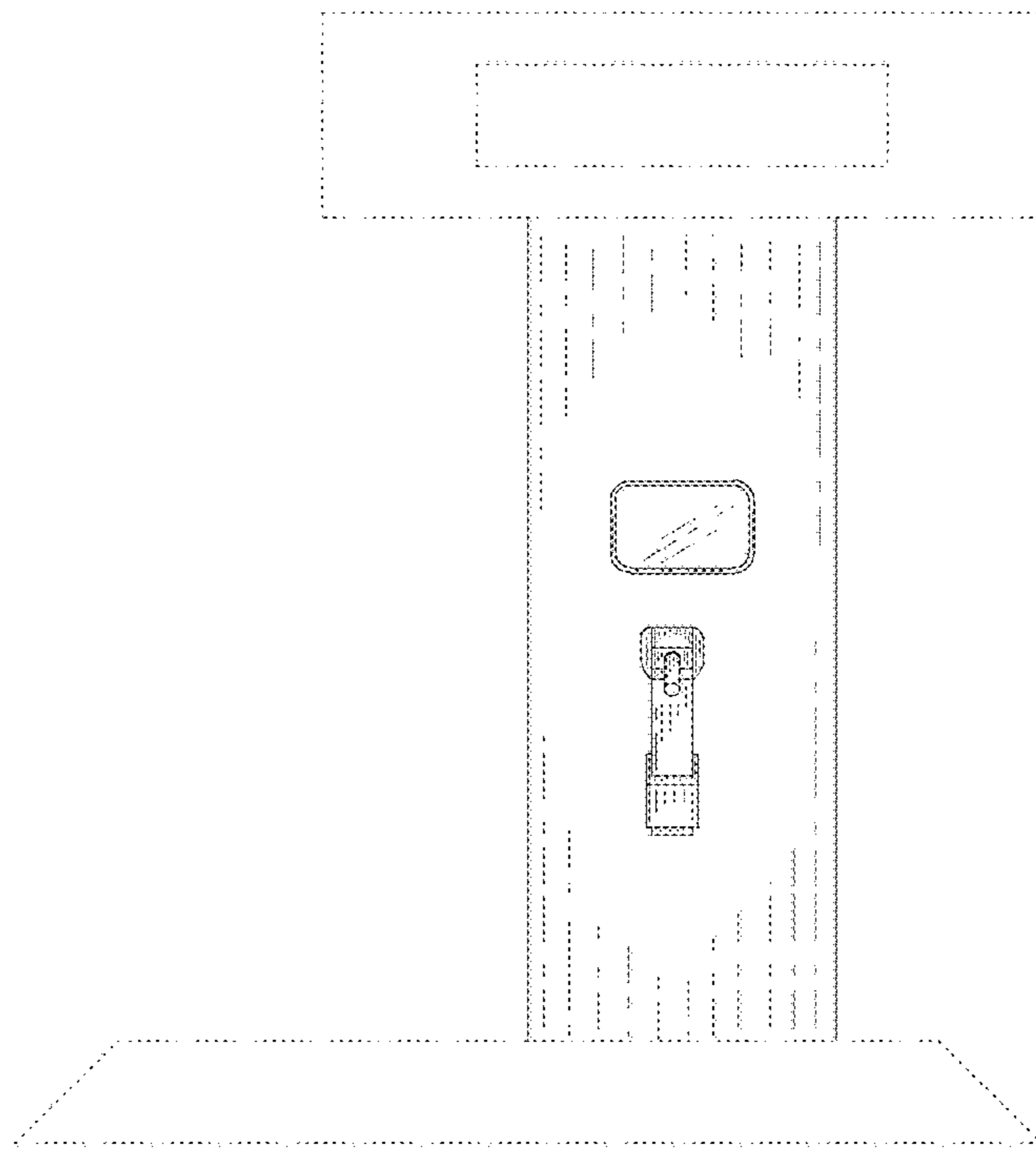


FIG. 4

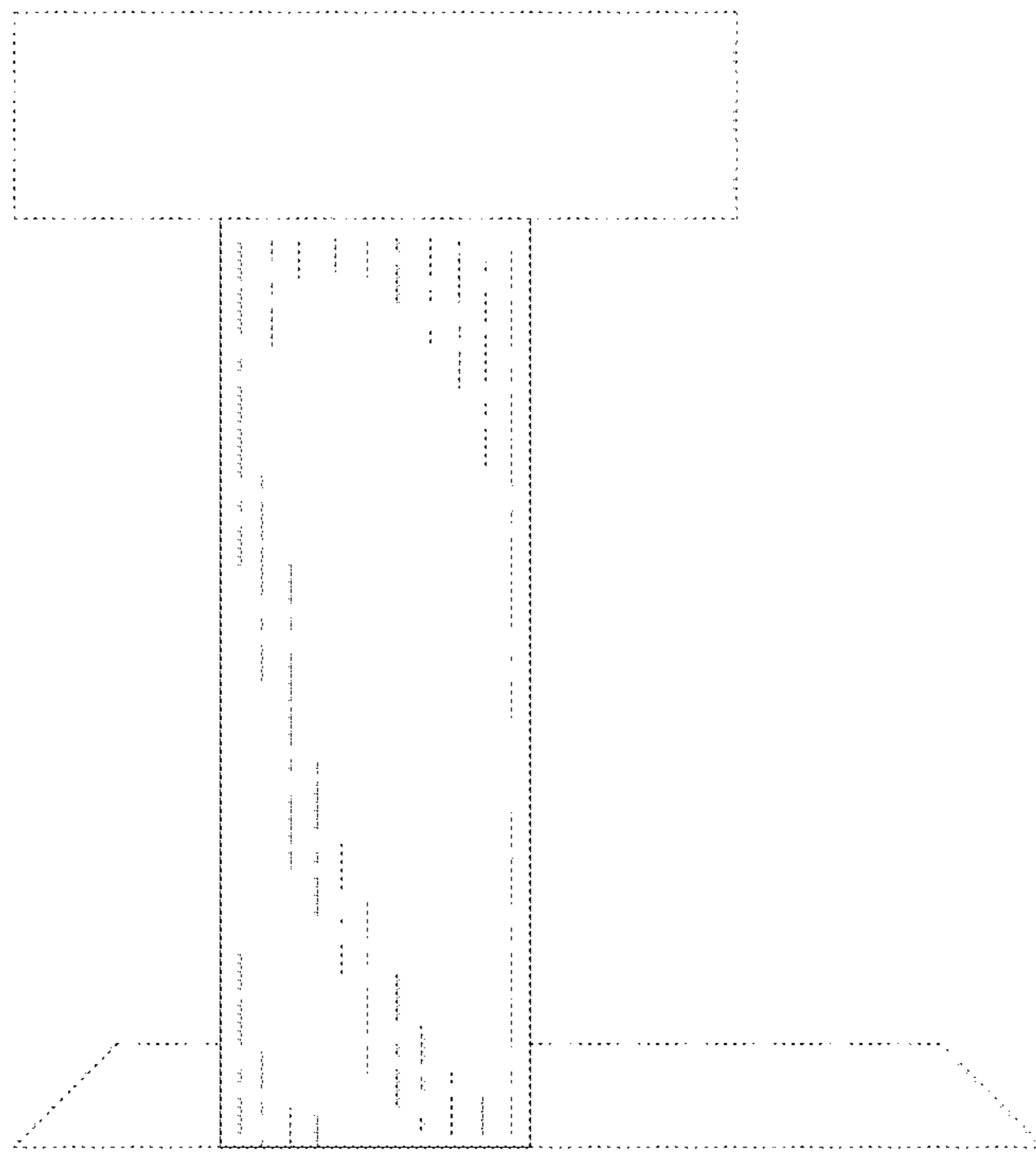


FIG. 5

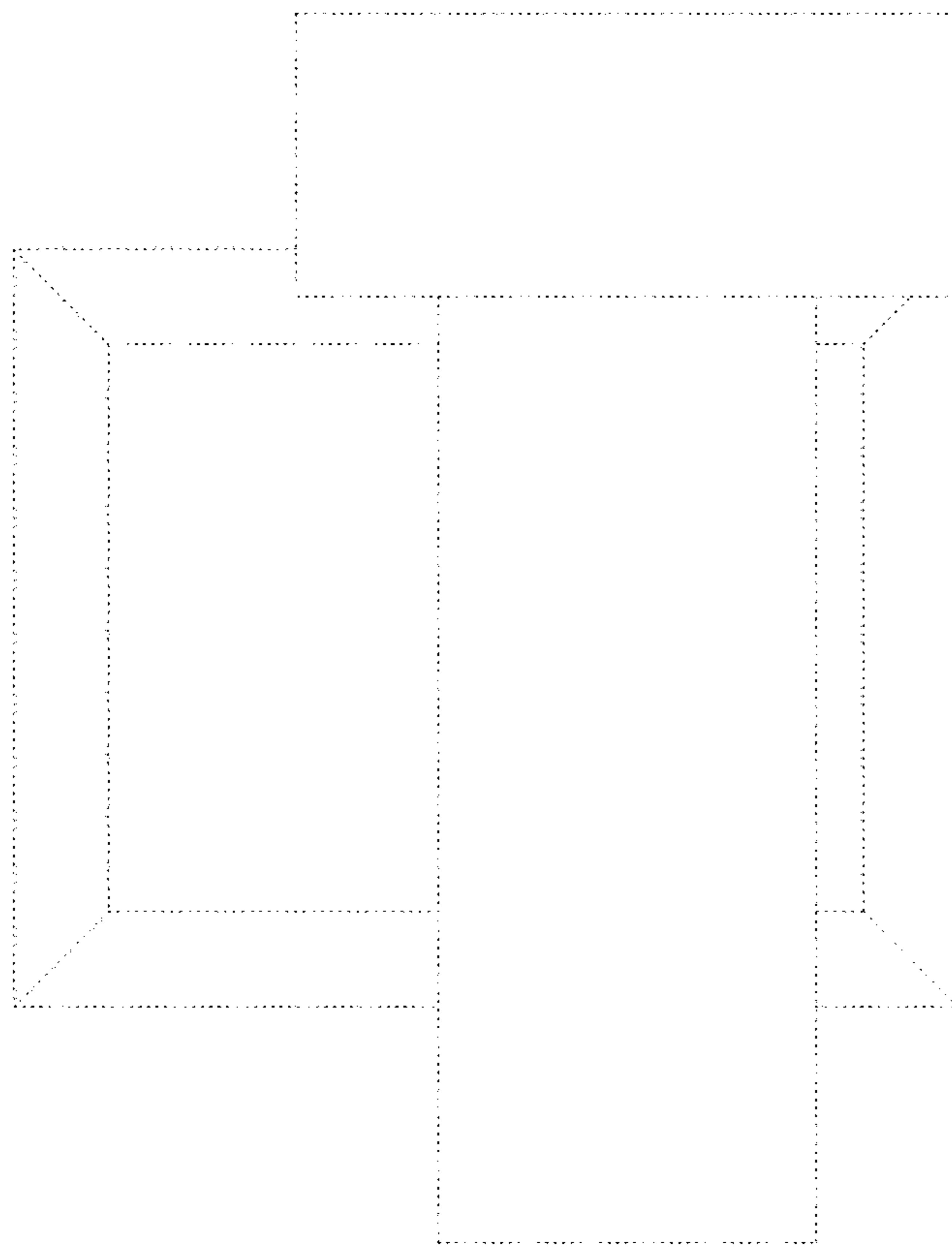


FIG. 6

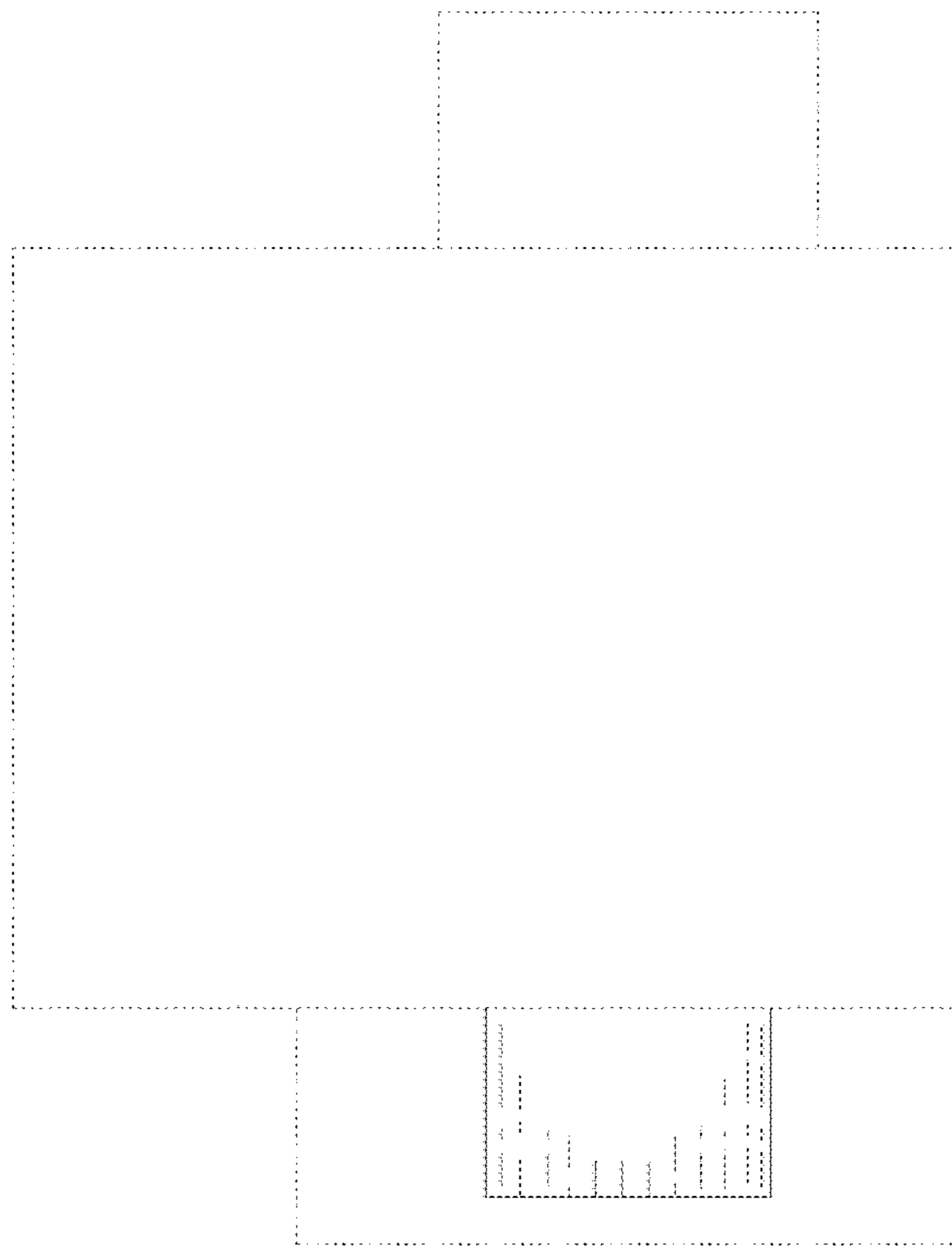


FIG. 7

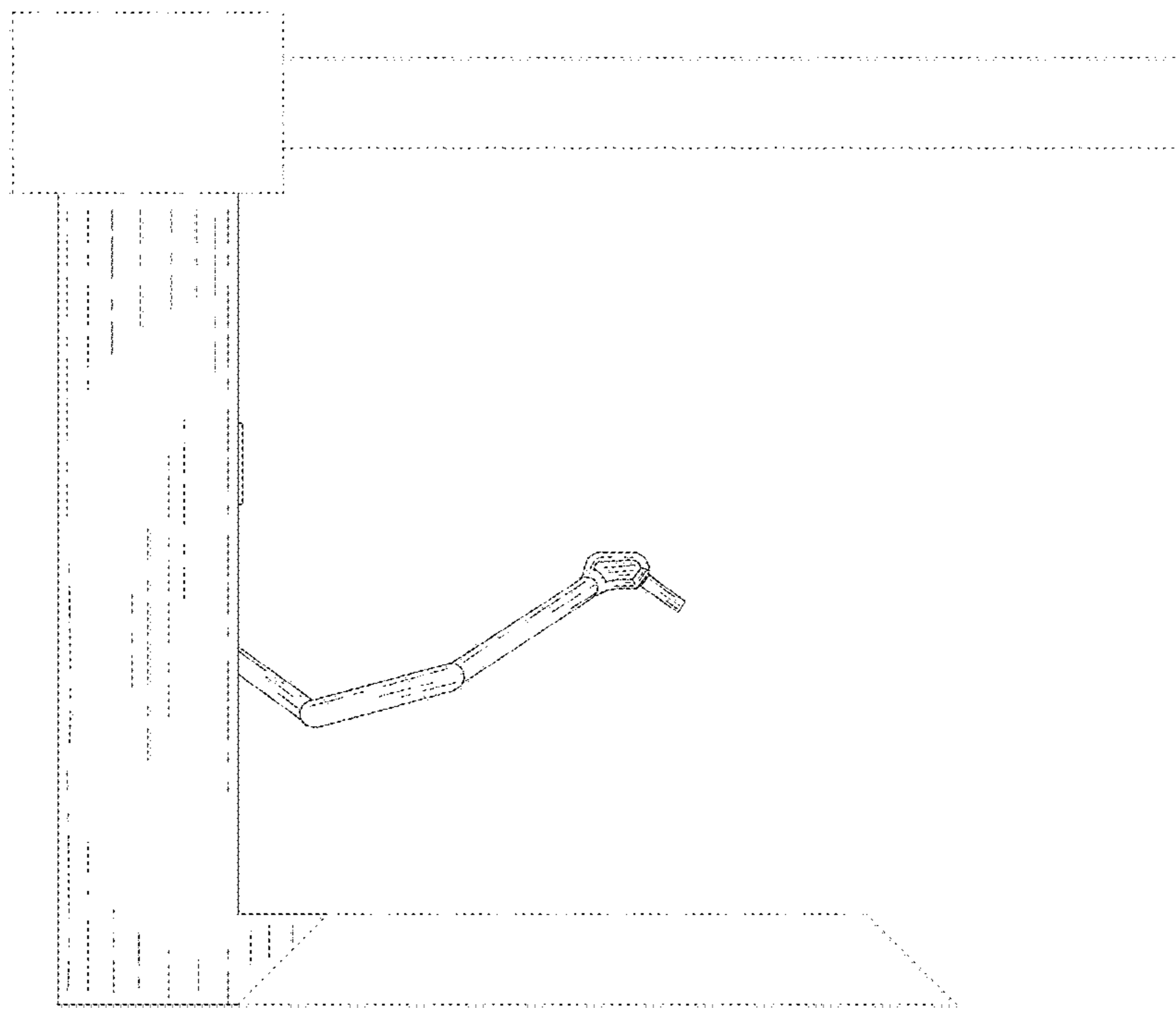


FIG. 8

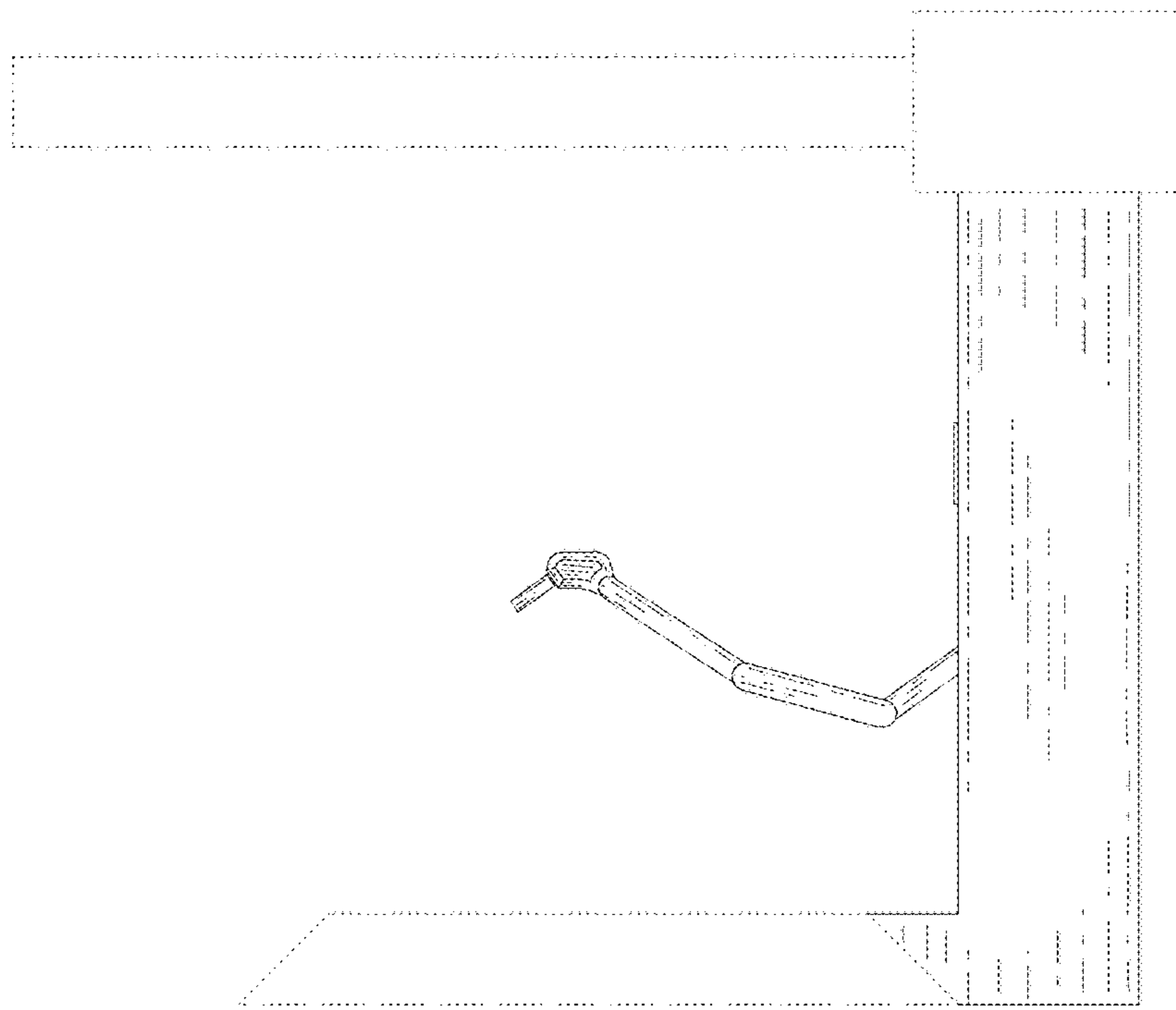


FIG. 9