



US00D864254S

(12) **United States Design Patent**
Zhang

(10) **Patent No.:** **US D864,254 S**

(45) **Date of Patent:** **** Oct. 22, 2019**

(54) **INFLATOR**

(71) Applicant: **Shenzhen Segre Electronic Co., Ltd.**,
Shenzhen, Guangdong Province (CN)

(72) Inventor: **Songqiao Zhang**, Yuyao (CN)

(73) Assignee: **Shenzhen Segre Electronic Co., Ltd.**,
Shenzhen (CN)

(**) Term: **15 Years**

(21) Appl. No.: **29/632,212**

(22) Filed: **Jan. 5, 2018**

(30) **Foreign Application Priority Data**

Sep. 16, 2017 (CN) 2017 3 0440083

(51) **LOC (12) Cl.** **15-03**

(52) **U.S. Cl.**
USPC **D15/9**

(58) **Field of Classification Search**

USPC D15/7-9; D23/231, 232, 225; 417/60,
417/235, 265, 321, 355, 358, 363, 359,
417/410.1, 411, 415-416, 405, 900, 269,
417/539; 60/408, 412; 184/26-37;
415/140-147; 123/495, 509; 137/565.34
CPC F02M 37/04; F02M 37/14; F04B 53/92;
F04B 1/005; F04D 13/06; F04D 29/22;
F04D 29/046; F04D 29/2266

See application file for complete search history.

(56) **References Cited**

U.S. PATENT DOCUMENTS

D275,291 S * 8/1984 Dunlap D15/9
D340,458 S * 10/1993 Wang D15/7

D374,237 S * 10/1996 Wang D15/7
D375,505 S * 11/1996 Wong D15/9
D385,566 S * 10/1997 Wang D15/9
D407,412 S * 3/1999 Wang D15/9
D407,413 S * 3/1999 Wang D15/9
D434,423 S * 11/2000 Wang D15/9
D470,510 S * 2/2003 Chen D15/9
D624,877 S * 10/2010 Daniels D13/107
D635,588 S * 4/2011 Sprules D15/7
D656,962 S * 4/2012 Boldsen D15/7
D657,383 S * 4/2012 Wang D15/7
D707,719 S * 6/2014 Kamijyo D15/7
D811,324 S * 2/2018 Inskeep D13/107
D814,525 S * 4/2018 Yang D15/9

* cited by examiner

Primary Examiner — Khawaja Anwar

(74) *Attorney, Agent, or Firm* — Caseiro Burke LLC;
Chris A. Caseiro

(57) **CLAIM**

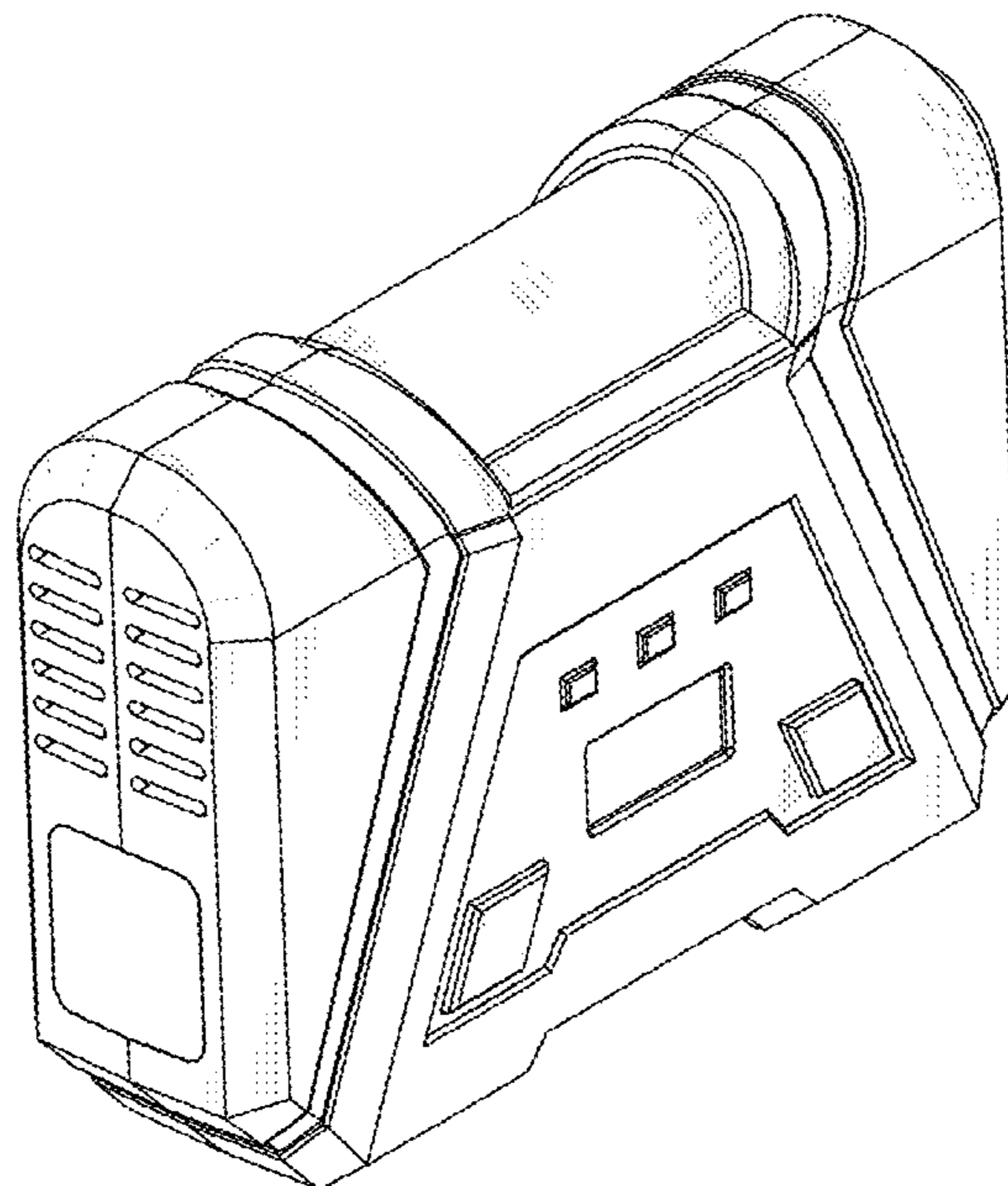
The ornamental design for an inflator, as shown and described.

DESCRIPTION

FIG. 1 is a perspective view of an inflator showing my new design;
FIG. 2 is a front view thereof;
FIG. 3 is a back view thereof;
FIG. 4 is a right side view thereof;
FIG. 5 is a left side view thereof;
FIG. 6 is a top view thereof; and,
FIG. 7 is a bottom view thereof.

The broken lines are included for the purpose of illustrating portions of inflator that form no part of the claimed design.

1 Claim, 7 Drawing Sheets



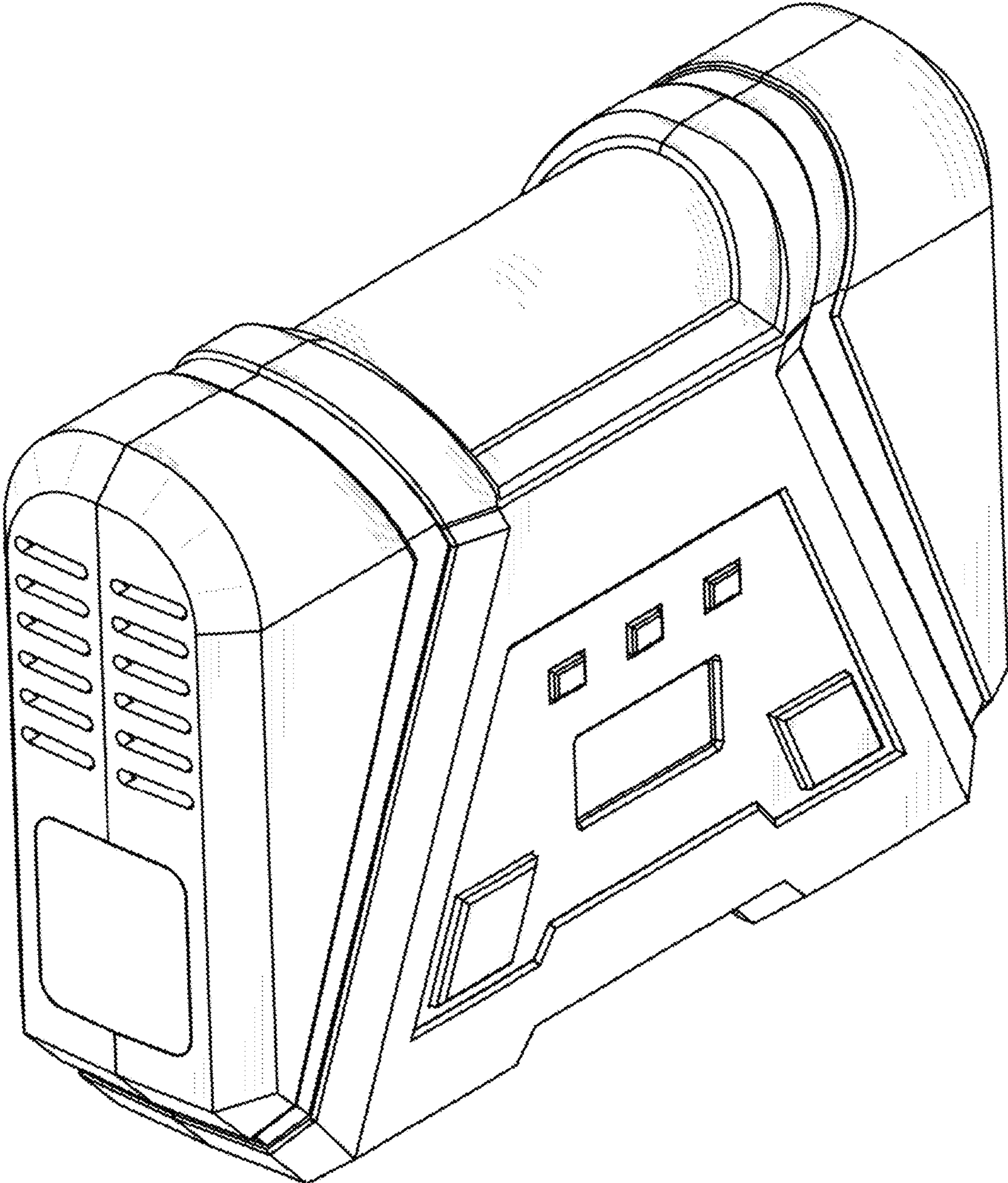


FIG. 1

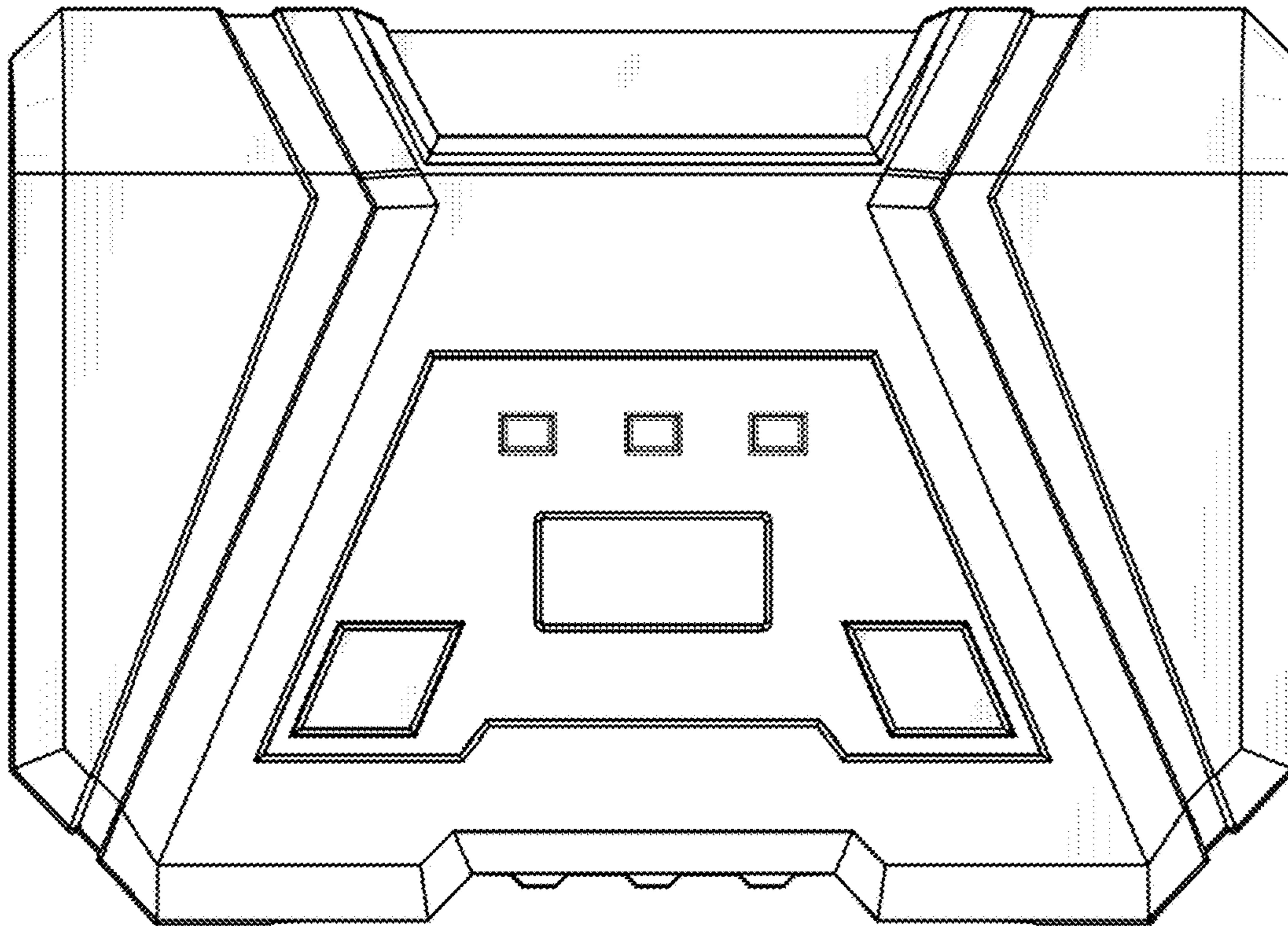


FIG.2

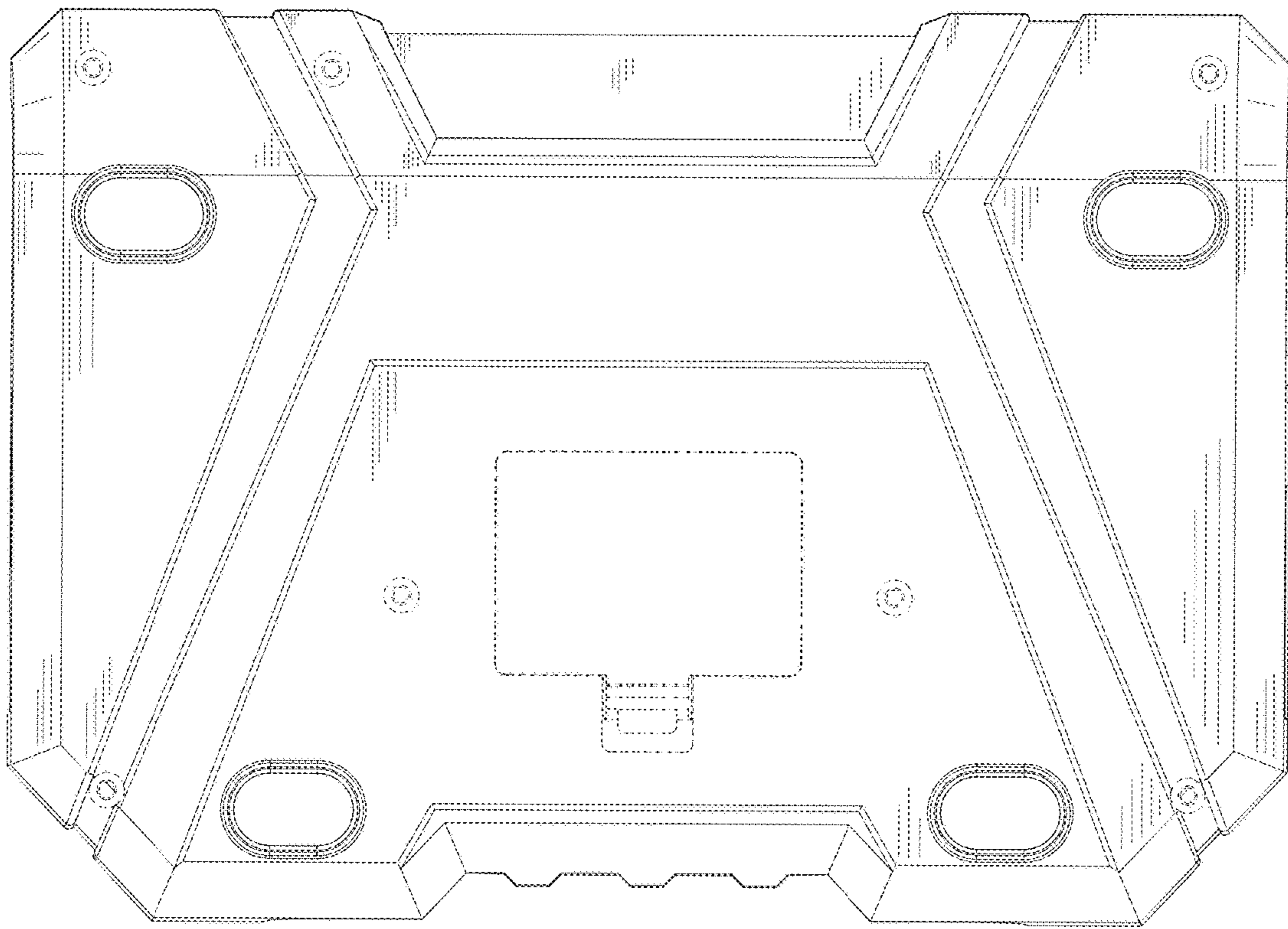


FIG.3

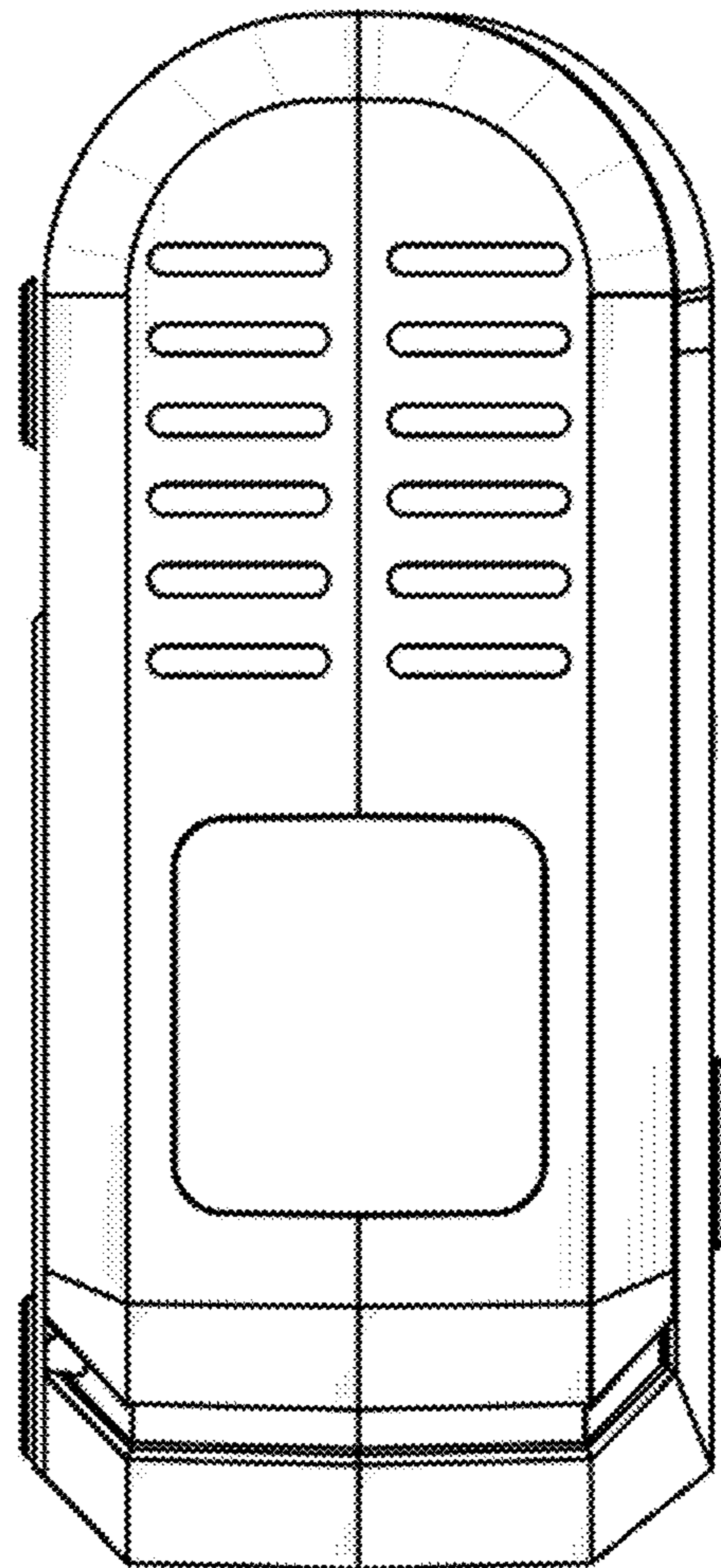


FIG.4

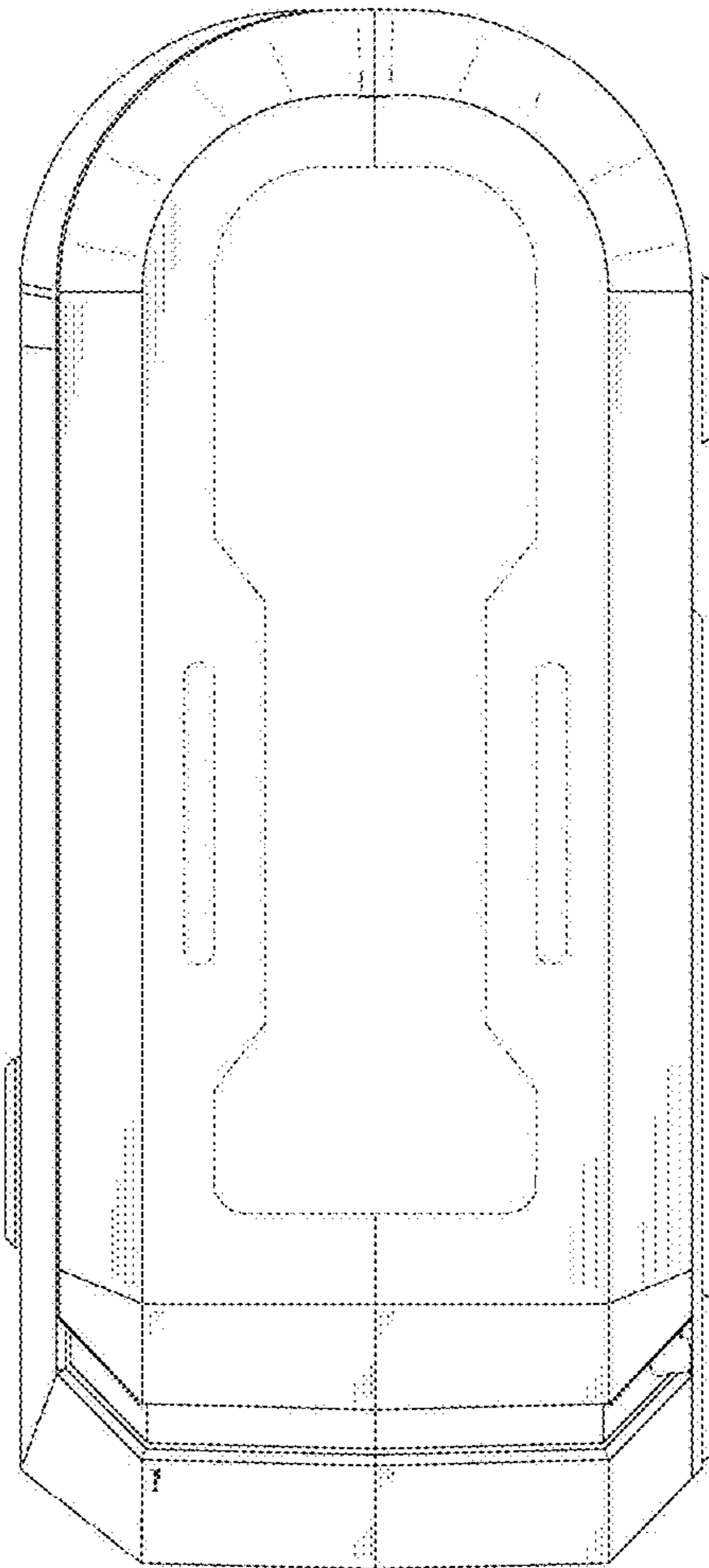


FIG.5

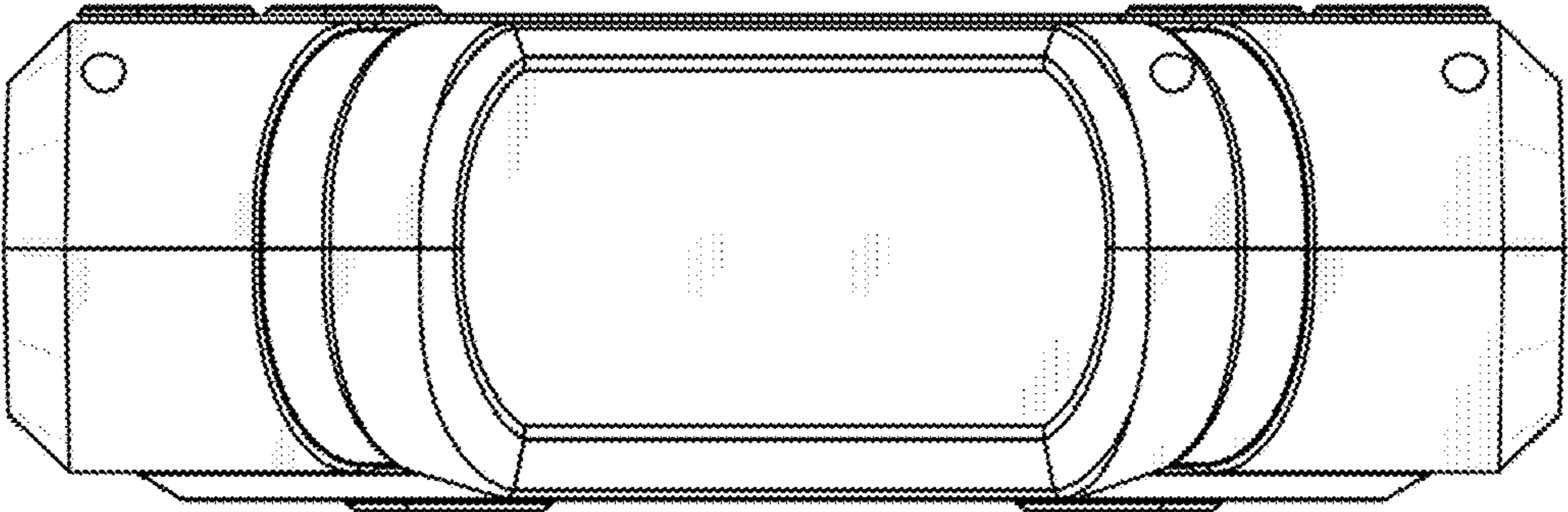


FIG.6

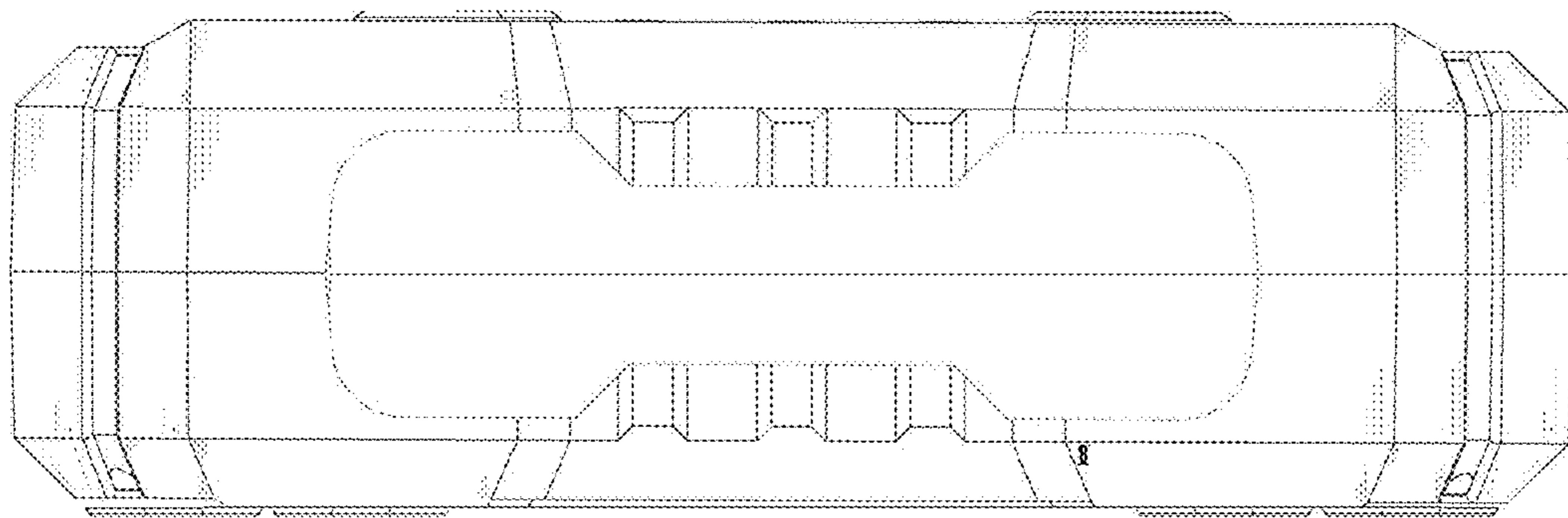


FIG.7