



US00D864250S

(12) **United States Design Patent**  
**Dascola**

(10) **Patent No.:** **US D864,250 S**  
(45) **Date of Patent:** **\*\* Oct. 22, 2019**

(54) **PORTION OF A DISPLAY SCREEN WITH  
ICON**

(71) Applicant: **Branch Banking and Trust Company,**  
Winston-Salem, NC (US)

(72) Inventor: **Michael Anthony Dascola,** Raleigh,  
NC (US)

(73) Assignee: **Branch Banking and Trust Company,**  
Winston-Salem, NC (US)

(\*\*) Term: **15 Years**

(21) Appl. No.: **29/689,810**

(22) Filed: **May 2, 2019**

**Related U.S. Application Data**

(62) Division of application No. 29/673,315, filed on Dec. 13, 2018, which is a division of application No. 29/611,026, filed on Jul. 18, 2017, now Pat. No. Des. 840,431, which is a division of application No. 29/537,466, filed on Aug. 26, 2015, now Pat. No. Des. 794,069.

(51) **LOC (12) Cl.** ..... **14-04**

(52) **U.S. Cl.**  
USPC ..... **D14/492**

(58) **Field of Classification Search**  
USPC ..... D14/485–495

(Continued)

(56) **References Cited**

**U.S. PATENT DOCUMENTS**

D154,315 S \* 6/1949 Price et al. .... D7/676  
D305,141 S \* 12/1989 Bateman ..... D21/618

(Continued)

**OTHER PUBLICATIONS**

Ihfgraphics, Vector—Piggy bank sketch, posted at Can Stock, posting date Oct. 19, 2012. Site visited Jan. 6, 2017. URL: <<https://www.canstockphoto.com/piggy-bank-sketch-10380774.html>> (Year: 2012).\*

(Continued)

*Primary Examiner* — Kevin K Rudzinski

*Assistant Examiner* — Kathleen L Jones

(74) *Attorney, Agent, or Firm* — Kilpatrick Townsend & Stockton LLP

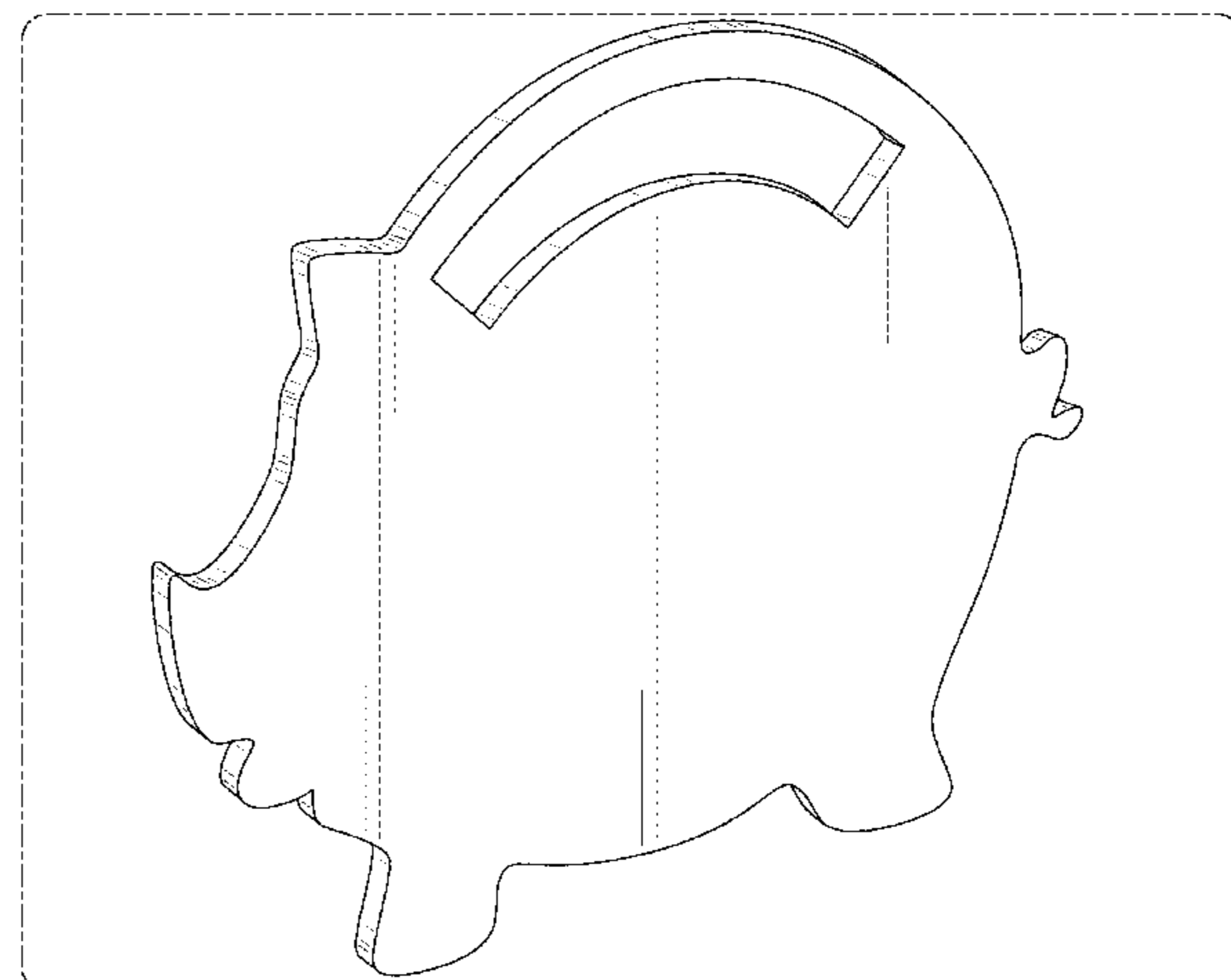
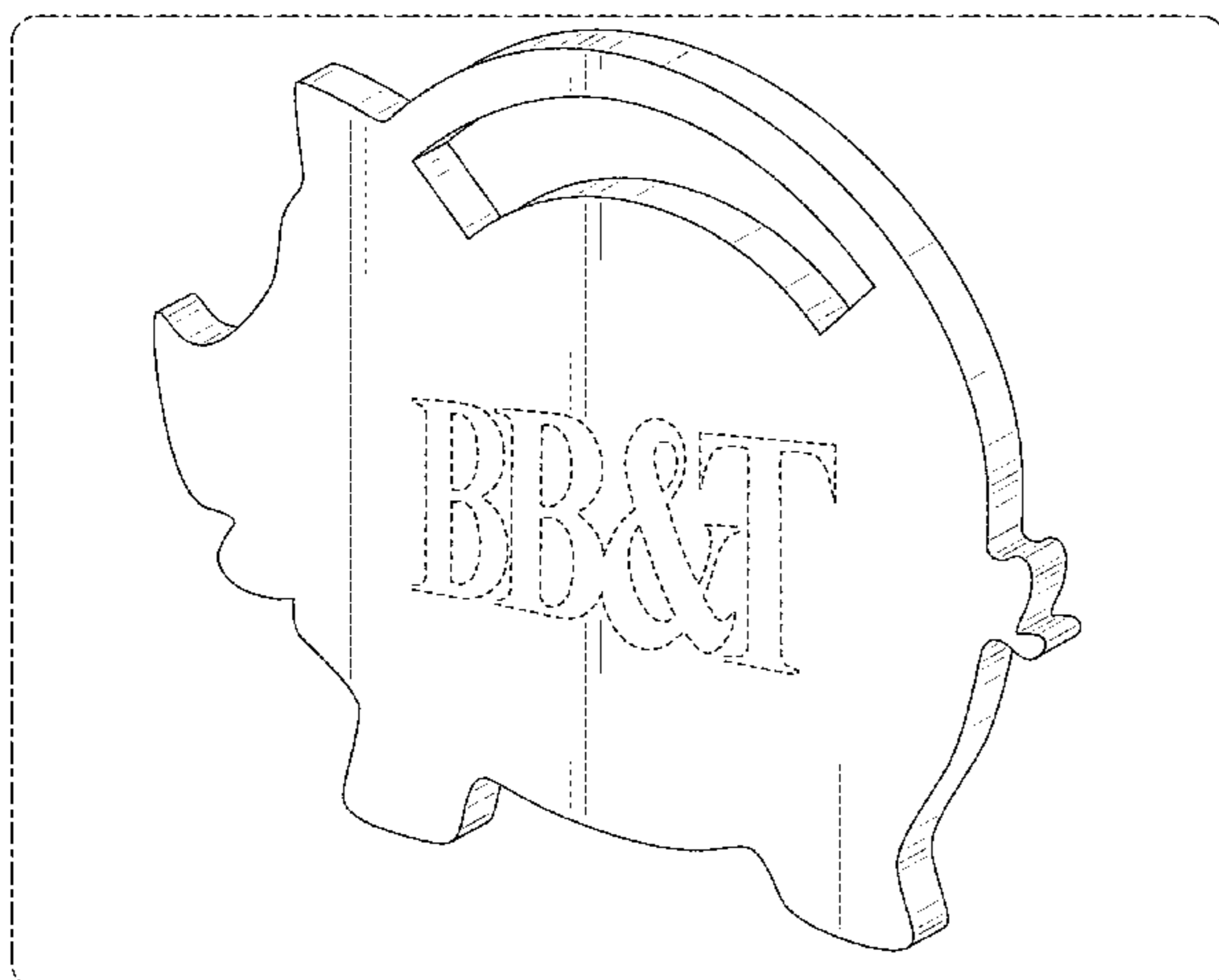
(57) **CLAIM**

The ornamental design for a portion of a display screen with icon, as shown and described.

**DESCRIPTION**

FIG. 1 is a front view of a first embodiment of a portion of a display screen with icon showing my new design; FIG. 2 is a front view of a second embodiment of a portion of a display screen with icon showing my new design; and FIG. 3 is a front view of a third embodiment of a portion of a display screen with icon showing my new design. FIG. 4 is a front view of a fourth embodiment of a portion of a display screen with icon showing my new design; FIG. 5 is a front view of a fifth embodiment of a portion of a display screen with icon showing my new design; and FIG. 6 is a front view of a sixth embodiment of a portion of a display screen with icon showing my new design. FIG. 7 is a front view of a seventh embodiment of a portion of a display screen with icon showing my new design; and, FIG. 8 is a front view of an eighth embodiment of a portion of a display screen with icon showing my new design. The outermost broken line rectangle in the figures showing the portion of the display screen and all other broken lines in the figures showing portions of the icon are included for the purpose of illustrating environment and form no part of the claim design.

**1 Claim, 8 Drawing Sheets**



(58) **Field of Classification Search**  
 CPC ..... G06F 3/0481; G06F 3/04817  
 See application file for complete search history.

(56) **References Cited**

U.S. PATENT DOCUMENTS

D305,254 S \* 12/1989 Bateman ..... D21/616  
 5,577,185 A \* 11/1996 Tunnell ..... A63F 13/10  
 345/473  
 5,732,213 A \* 3/1998 Gessel ..... H04L 43/50  
 370/235  
 D613,133 S \* 4/2010 Ablo ..... D7/675  
 D666,937 S \* 9/2012 Dunn ..... D11/184  
 8,423,440 B1 \* 4/2013 Mackrell ..... G06Q 40/02  
 705/35  
 D740,572 S \* 10/2015 Sudhakar ..... D6/304  
 D750,109 S \* 2/2016 Schaedle ..... D14/486  
 D755,235 S \* 5/2016 Katopis ..... D14/492  
 9,685,095 B2 \* 6/2017 Olsen ..... G09B 7/07  
 D794,069 S \* 8/2017 Dascola ..... D14/492  
 D823,073 S \* 7/2018 Crowley ..... D7/656  
 D824,927 S \* 8/2018 de la Garza ..... D14/485  
 D830,372 S \* 10/2018 Gratzki ..... D14/485  
 D832,293 S \* 10/2018 de la Garza ..... D14/486  
 D840,431 S \* 2/2019 Dascola ..... D14/492  
 10,252,166 B2 \* 4/2019 Bambino ..... A63F 13/69  
 2004/0039701 A1 \* 2/2004 Nakamura ..... G06Q 20/04  
 705/42

2010/0137047 A1\* 6/2010 Englman ..... G07F 17/32  
 463/6  
 2013/0185150 A1\* 7/2013 Crum ..... G06Q 30/02  
 705/14.49  
 2013/0254678 A1\* 9/2013 Lorch ..... H04M 1/72555  
 715/752  
 2014/0053109 A1\* 2/2014 Xu ..... G06F 3/04817  
 715/847  
 2014/0206452 A1\* 7/2014 Bambino ..... A63F 13/69  
 463/40  
 2015/0332306 A1\* 11/2015 Marks ..... G06Q 30/0234  
 705/14.34  
 2015/0356639 A1\* 12/2015 Sobhani ..... G06Q 30/0279  
 705/39  
 2018/0365751 A1\* 12/2018 Fiore ..... G06Q 30/0631

OTHER PUBLICATIONS

Handyimages, Vector—Piggy Bank, posted at Can Stock, posting date Sep. 14, 2013. Site visited Jan. 6, 2017. URL: <<https://www.canstockphoto.com/piggy-bank-15791724.html>> (Year: 2013).\*

Teneresa, Piggy bank icon, posted at iStock, posting date Nov. 21, 2013. Site visited Jan. 6, 2017. URL: <<https://www.istockphoto.com/hk/vector/piggy-bank-icon-gm451603993-29843230>> (Year: 2013).\*

\* cited by examiner

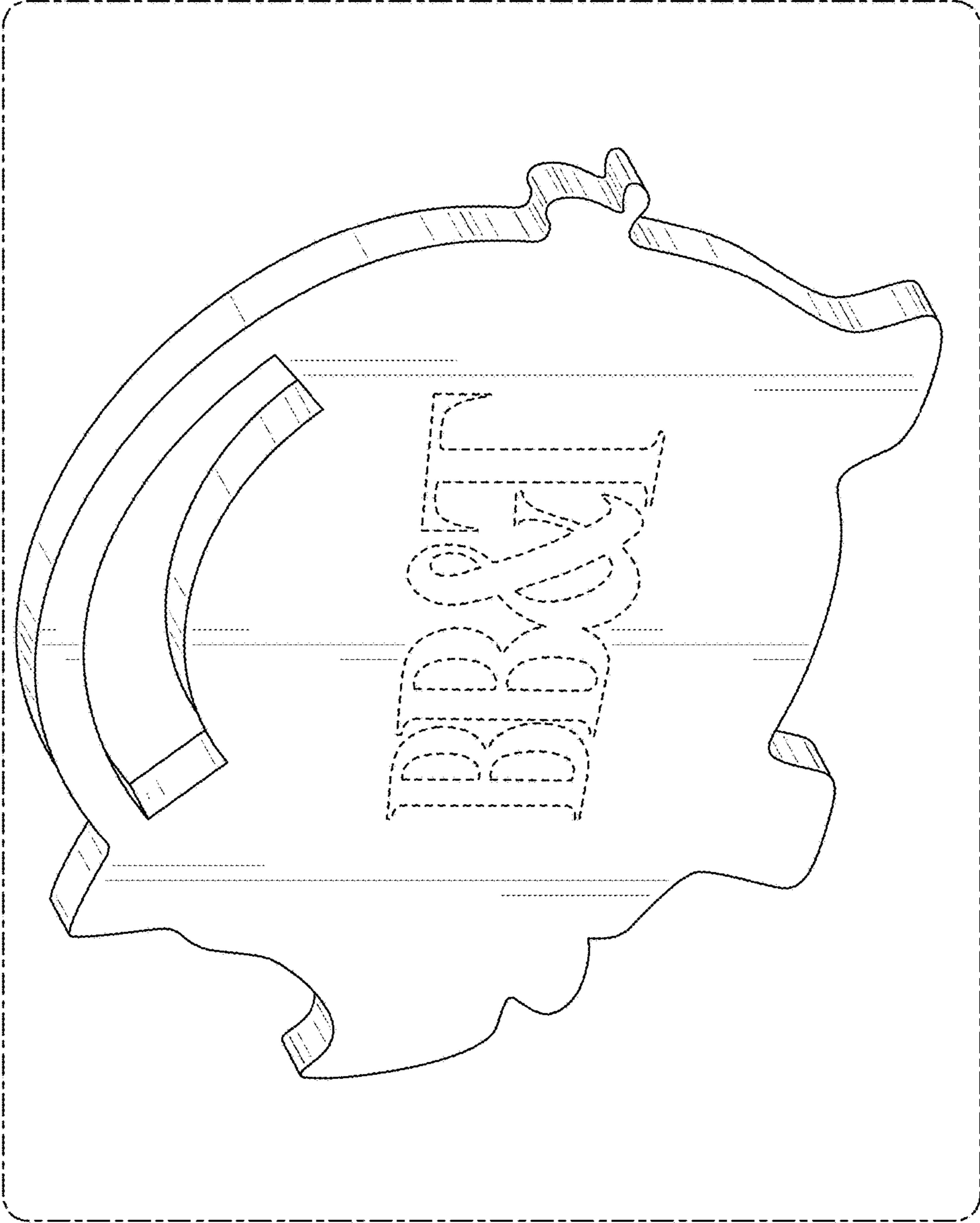


FIG. 1

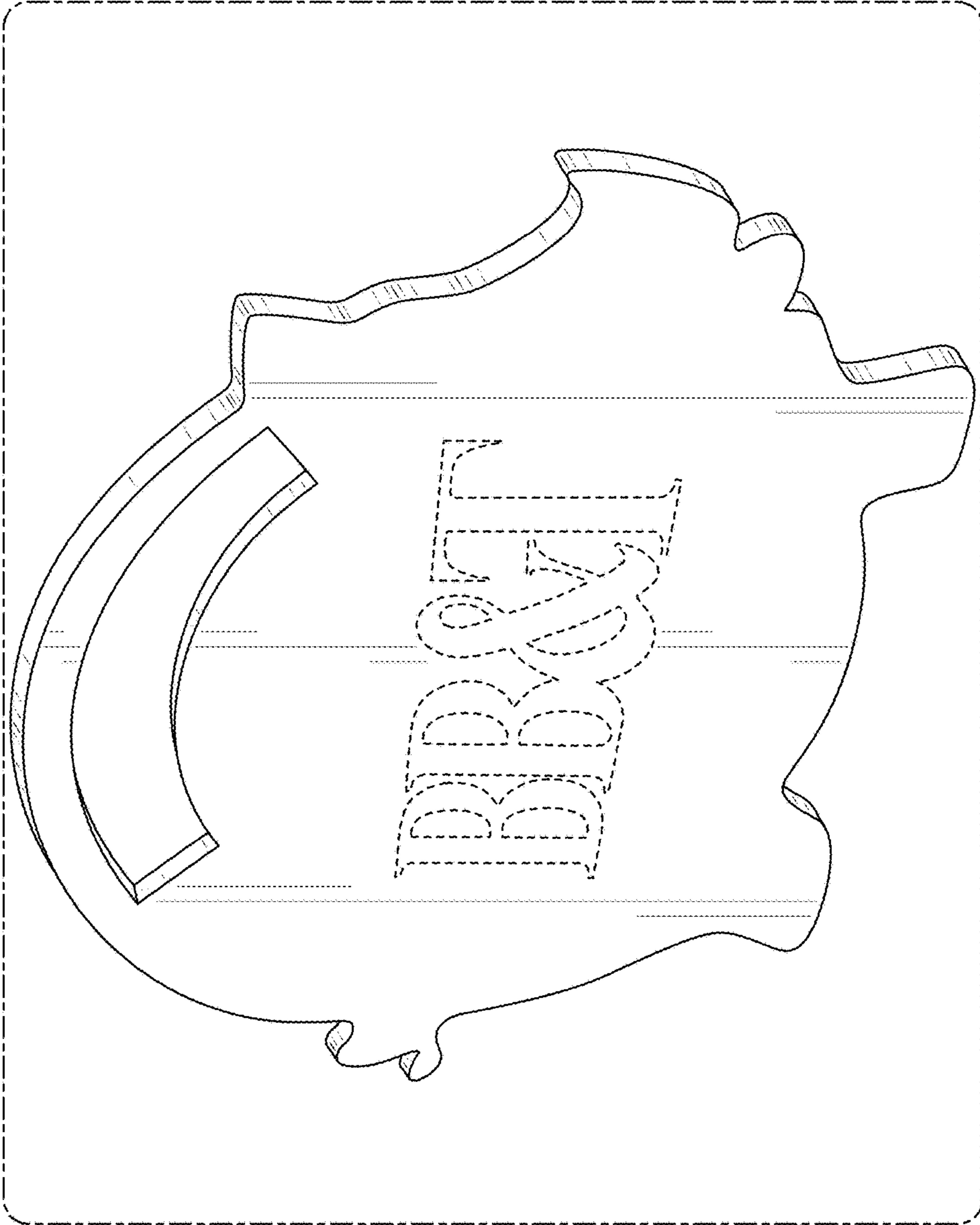


FIG. 2

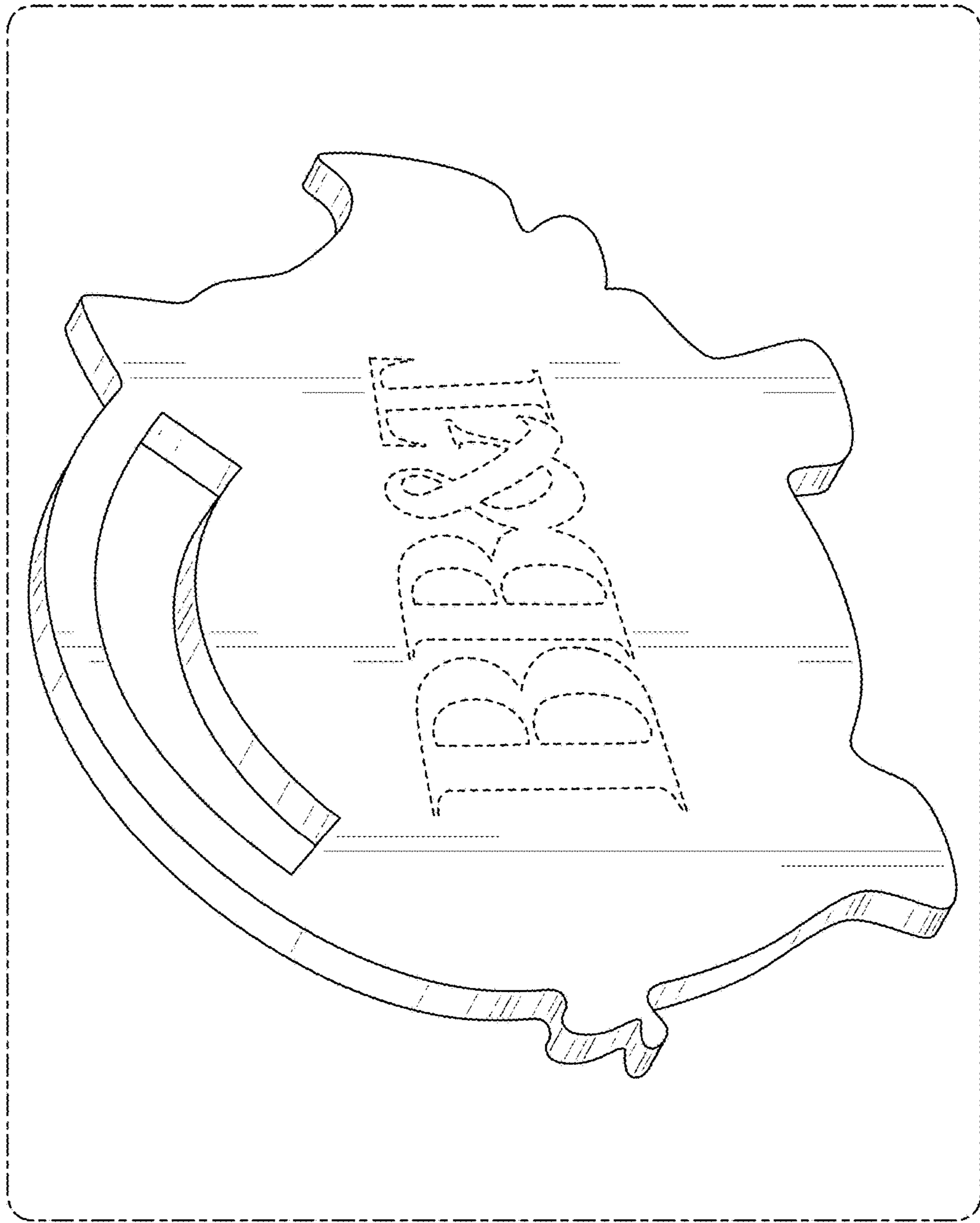


FIG. 3

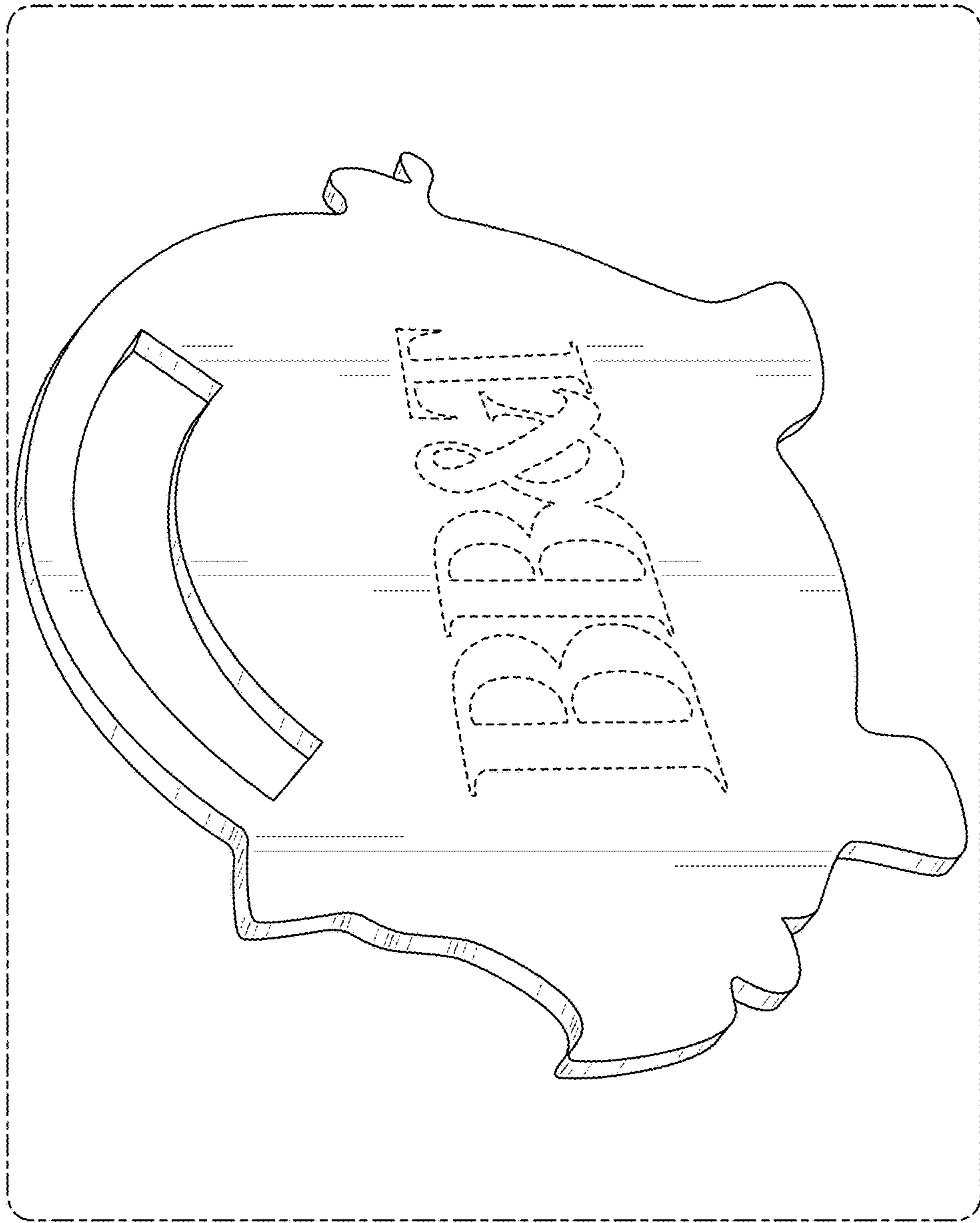


FIG. 4

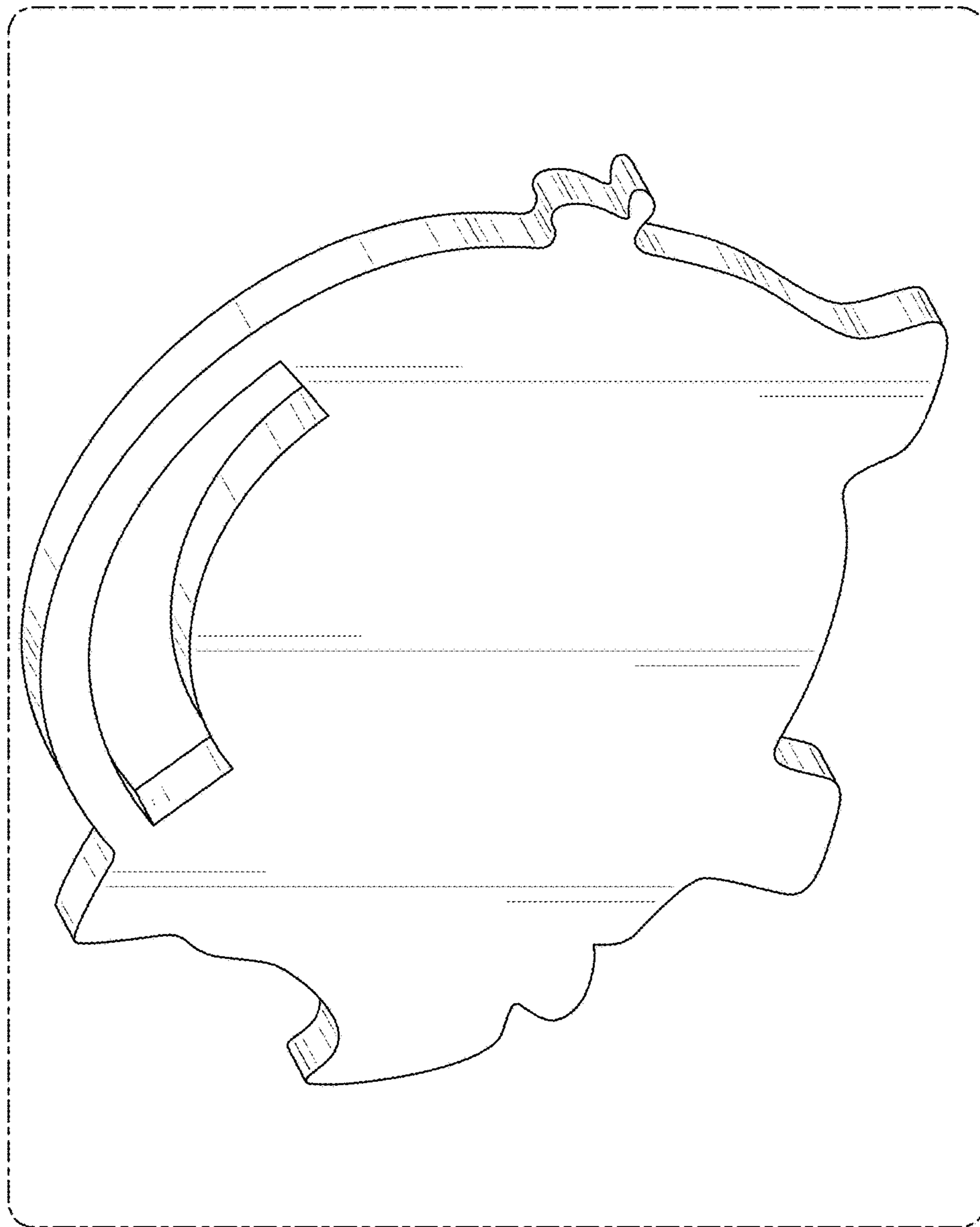


FIG. 5

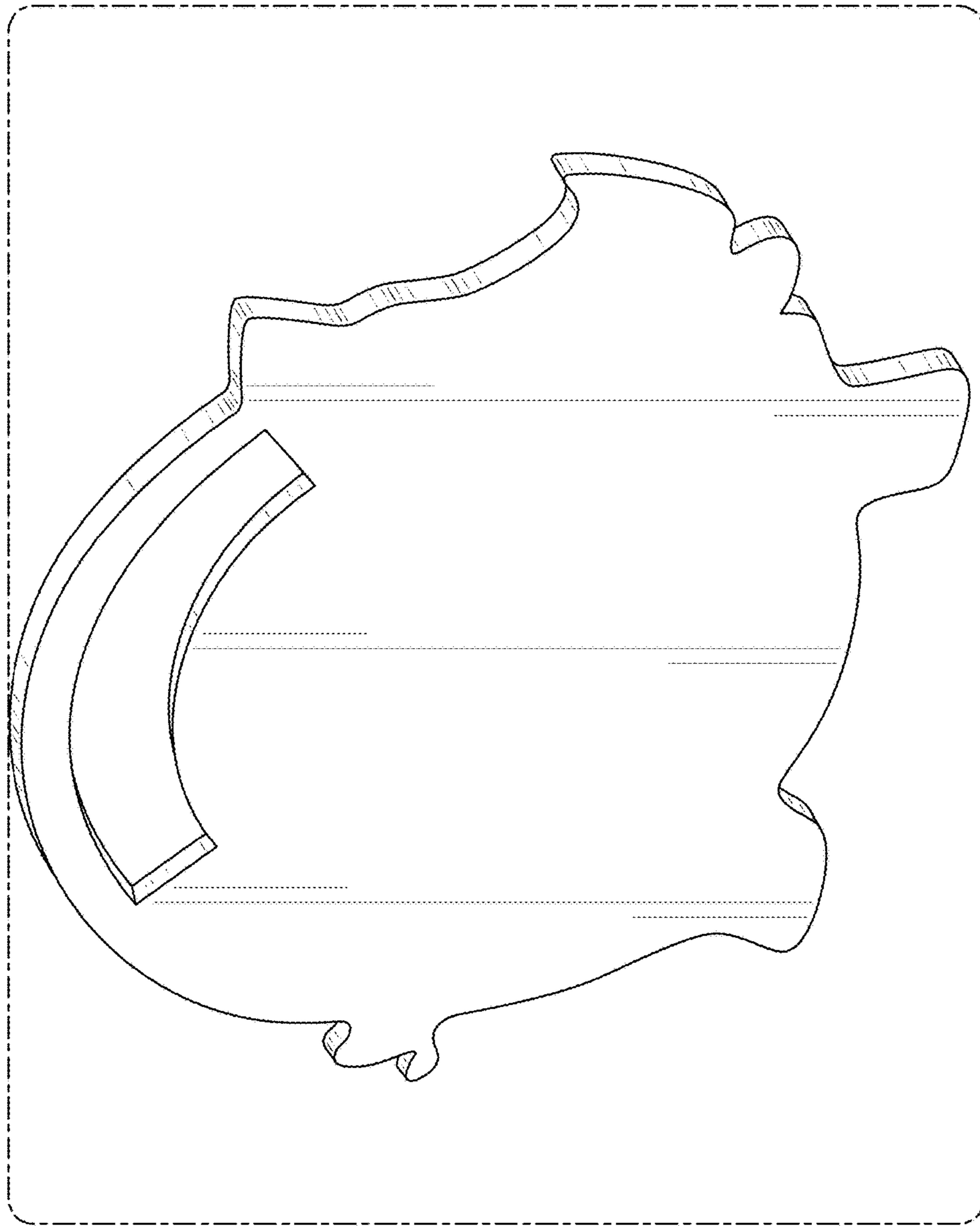


FIG. 6



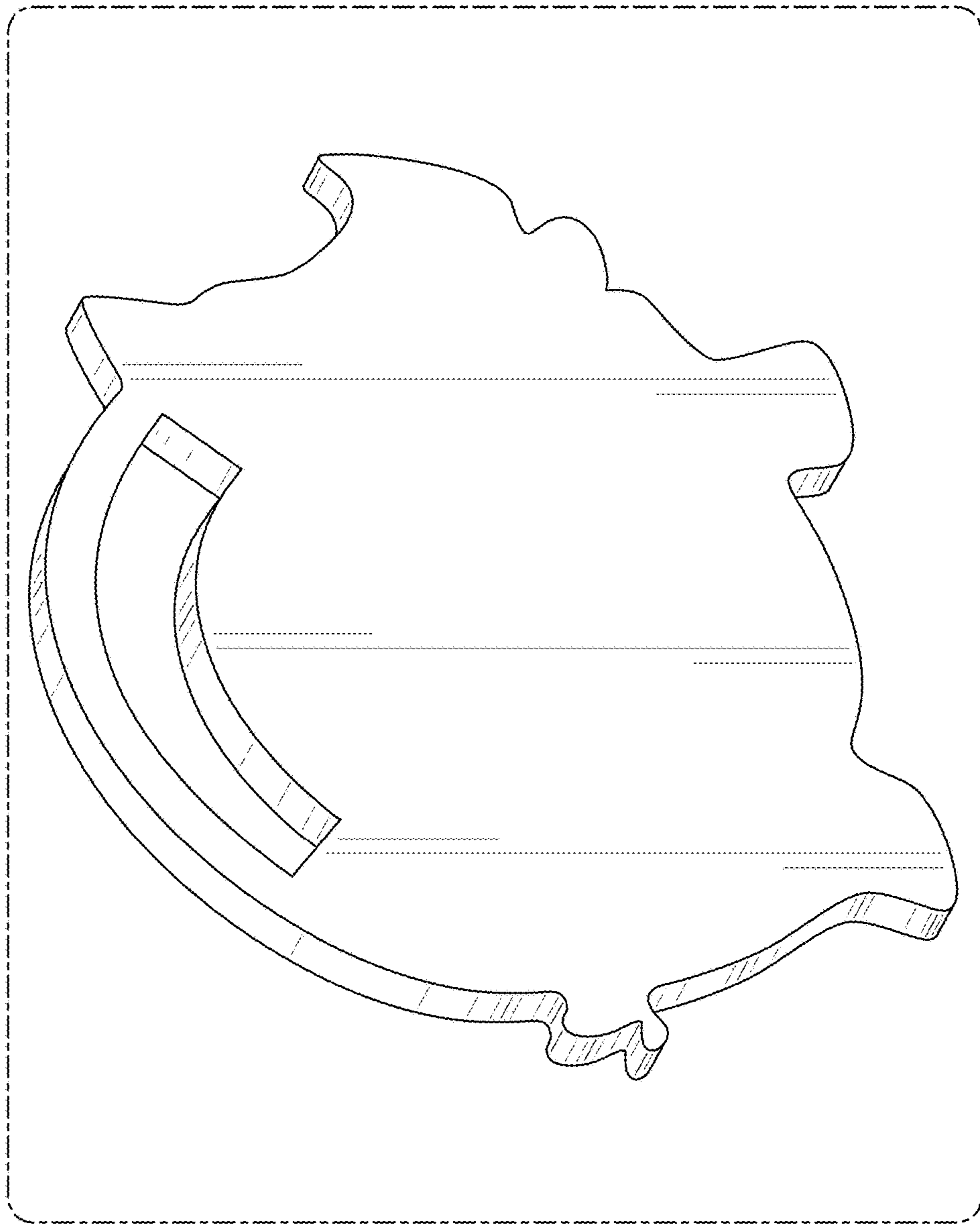


FIG. 7

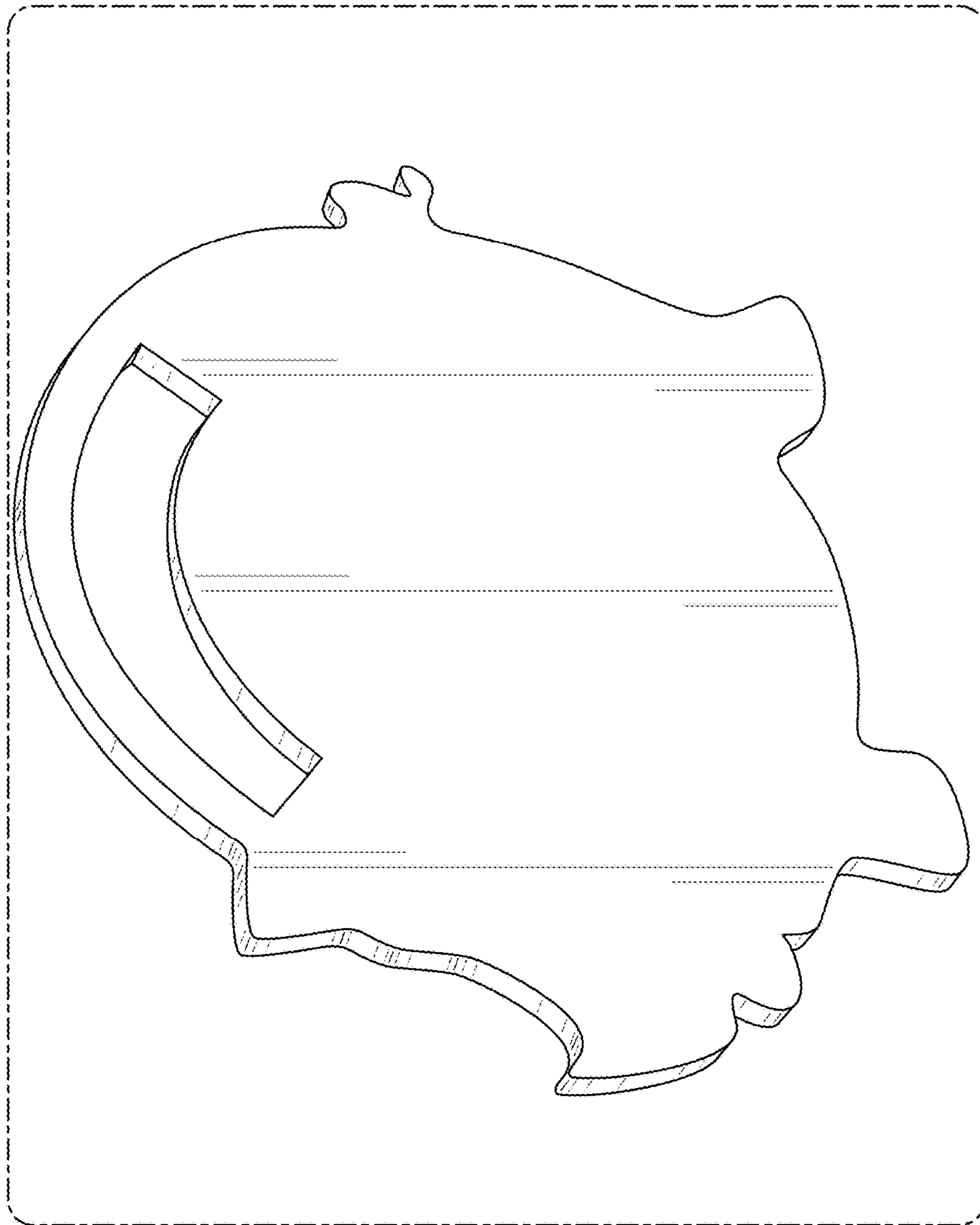


FIG. 8