



US00D864221S

(12) **United States Design Patent** (10) **Patent No.:** **US D864,221 S**
Paulina et al. (45) **Date of Patent:** **** Oct. 22, 2019**

(54) **DISPLAY SCREEN WITH ANIMATED GRAPHICAL USER INTERFACE**

(71) Applicant: **Google LLC**, Mountain View, CA (US)

(72) Inventors: **Luca Paulina**, Bromley (GB); **Thomas Jenkins**, London (GB); **Oliver Thomas Gaymond**, London (GB); **Gerard Rocha Cuttler**, London (GB); **Nicholas John Bearman**, London (GB); **Margaret Hollendonner**, London (GB)

(73) Assignee: **Google LLC**, Mountain View, CA (US)

(**) Term: **15 Years**

(21) Appl. No.: **29/660,539**

(22) Filed: **Aug. 21, 2018**

(51) **LOC (12) Cl.** **14-04**

(52) **U.S. Cl.**
USPC **D14/485**

(58) **Field of Classification Search**
USPC D14/485-495; D5/20, 26, 30, 40, 63-65; D20/10, 11, 22, 27, 39, 40
CPC G06F 3/048-04897; G06F 15/0266; G06F 17/30011; G06F 2203/04808; G06F 3/1251; G06Q 10/02; G06Q 10/06; G06Q 10/10; G06Q 10/109; G06Q 10/1093; G06Q 10/1095; G06Q 10/06311; H04M 1/72519-72561; D01D 13/12; D01D
(Continued)

(56) **References Cited**

U.S. PATENT DOCUMENTS

D738,889 S * 9/2015 Balles D14/485
D745,018 S * 12/2015 Balles D14/485
D746,856 S * 1/2016 Jiang D14/488

(Continued)

OTHER PUBLICATIONS

Eurorack Modular 103: Complex Audio Patching—1. Wavefolding—Complex Oscillator, by macProVideoDotCom, YouTube [online], published on May 5, 2017, [retrieved on Jul. 18, 2019], retrieved from the Internet [URL: <https://www.youtube.com/watch?v=jOx9z0SPDek>] (Year: 2017).*

(Continued)

Primary Examiner — Cathron C Brooks

Assistant Examiner — Ian F Whitmore

(74) *Attorney, Agent, or Firm* — Shumaker & Sieffert, P.A.

(57) **CLAIM**

The ornamental design for a display screen with an animated graphical user interface, as shown and described.

DESCRIPTION

FIG. 1 is a front view of a first image in a sequence of a display screen with an animated graphical user interface, showing our new design;

FIG. 2 is a second image thereof;

FIG. 3 is a third image thereof;

FIG. 4 is a fourth image thereof;

FIG. 5 is a fifth image thereof;

FIG. 6 is a sixth image thereof;

FIG. 7 is a seventh image thereof;

FIG. 8 is an eighth image thereof;

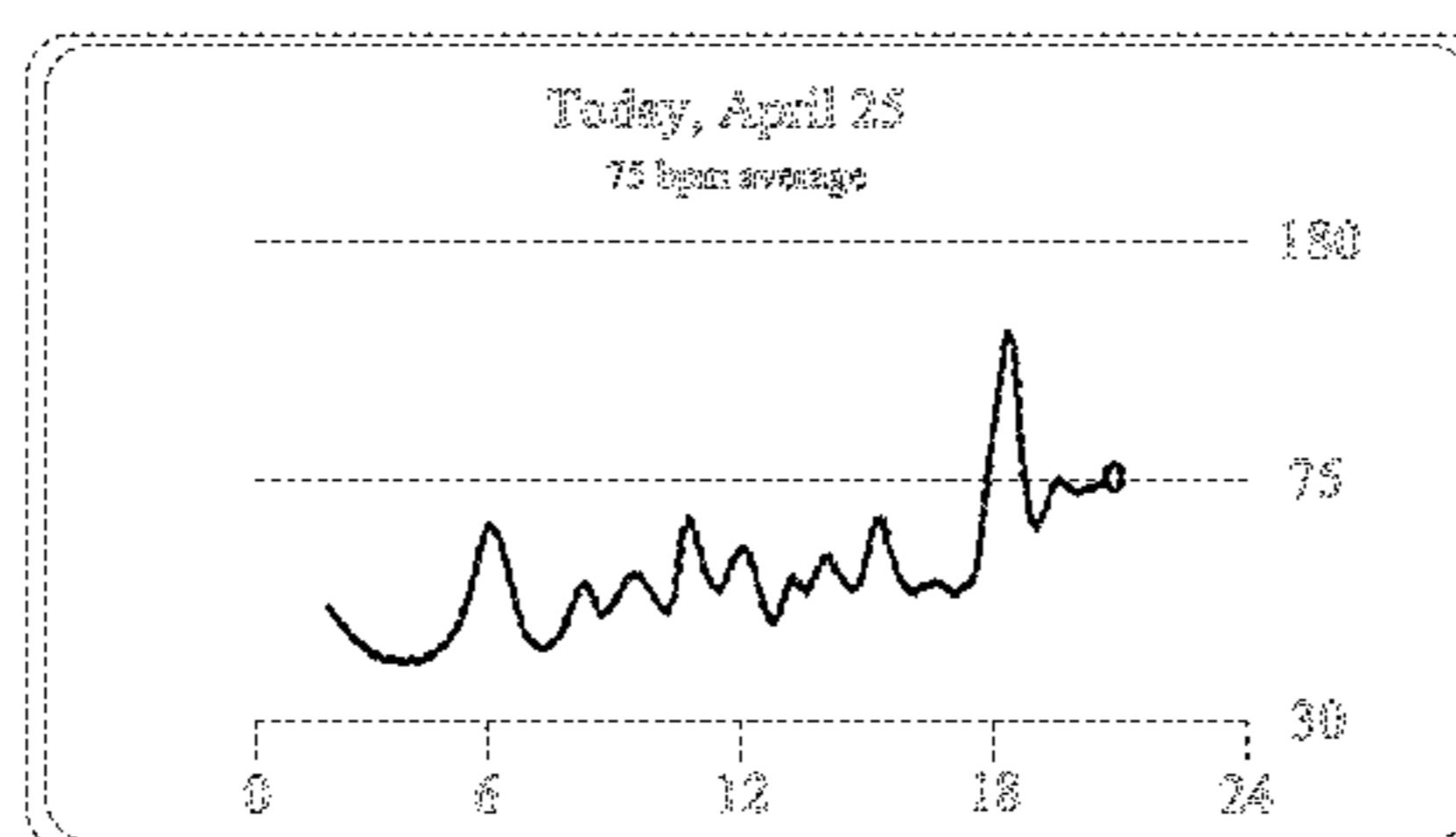
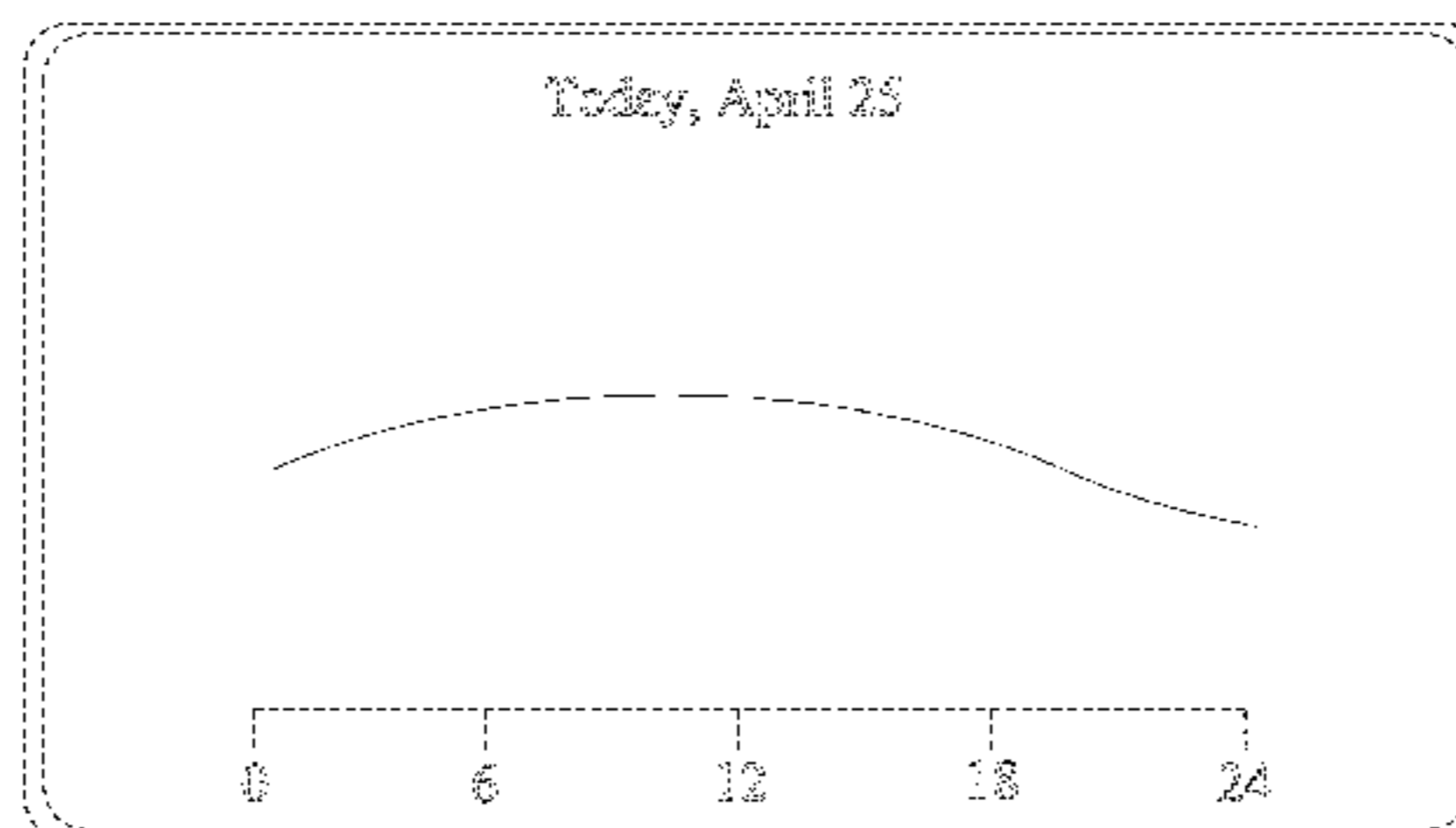
FIG. 9 is a ninth image thereof; and,

FIG. 10 is a tenth image thereof.

The appearance of the transitional image sequentially transitions between the images shown in FIGS. 1 through 10. The process or period in which one image transitions to another image forms no part of the claimed design.

The inner broken-line rectangle illustrates the perimeter of the display screen. The outer broken-line rectangle illustrates an electronic device. The remaining broken lines, including all text, illustrate portions of the graphical user interface. The broken lines form no part of the claimed design.

1 Claim, 10 Drawing Sheets



(58) **Field of Classification Search**

CPC 13/22; G01R 1/067; G11B 27/34; A61B 5/02
See application file for complete search history.

(56) **References Cited**

U.S. PATENT DOCUMENTS

D768,674	S	*	10/2016	Hanover	D14/486
D780,219	S	*	2/2017	Chiang	D14/485
D792,431	S	*	7/2017	Grassle	G16H 40/63
						D14/486
D819,065	S	*	5/2018	Xie	D14/486
D852,837	S	*	7/2019	Mazlish	D14/486
2017/0024116	A1	*	1/2017	Aronoff	G06F 3/04883
2018/0042559	A1	*	2/2018	Cabrera, Jr.	A61B 5/14532
2018/0335896	A1	*	11/2018	Vernon	G06F 3/04847

OTHER PUBLICATIONS

Little Planet Procedural, by Luo, alanluo.com [online], published on or before Jul. 22, 2017, [retrieved on Jul. 18, 2019], retrieved from the Internet [URL: alanluo.com/procgen/midterm.html] (Year: 2017).*

Cloud Eval/Optimization App, by Bilal, dribbble.com [online], published on Aug. 31, 2015, [retrieved on Jul. 18, 2019], retrieved from the Internet [URL: <https://dribbble.com/shots/2222008-Cloud-Eval-Optimization-App>] (Year: 2015).*

* cited by examiner

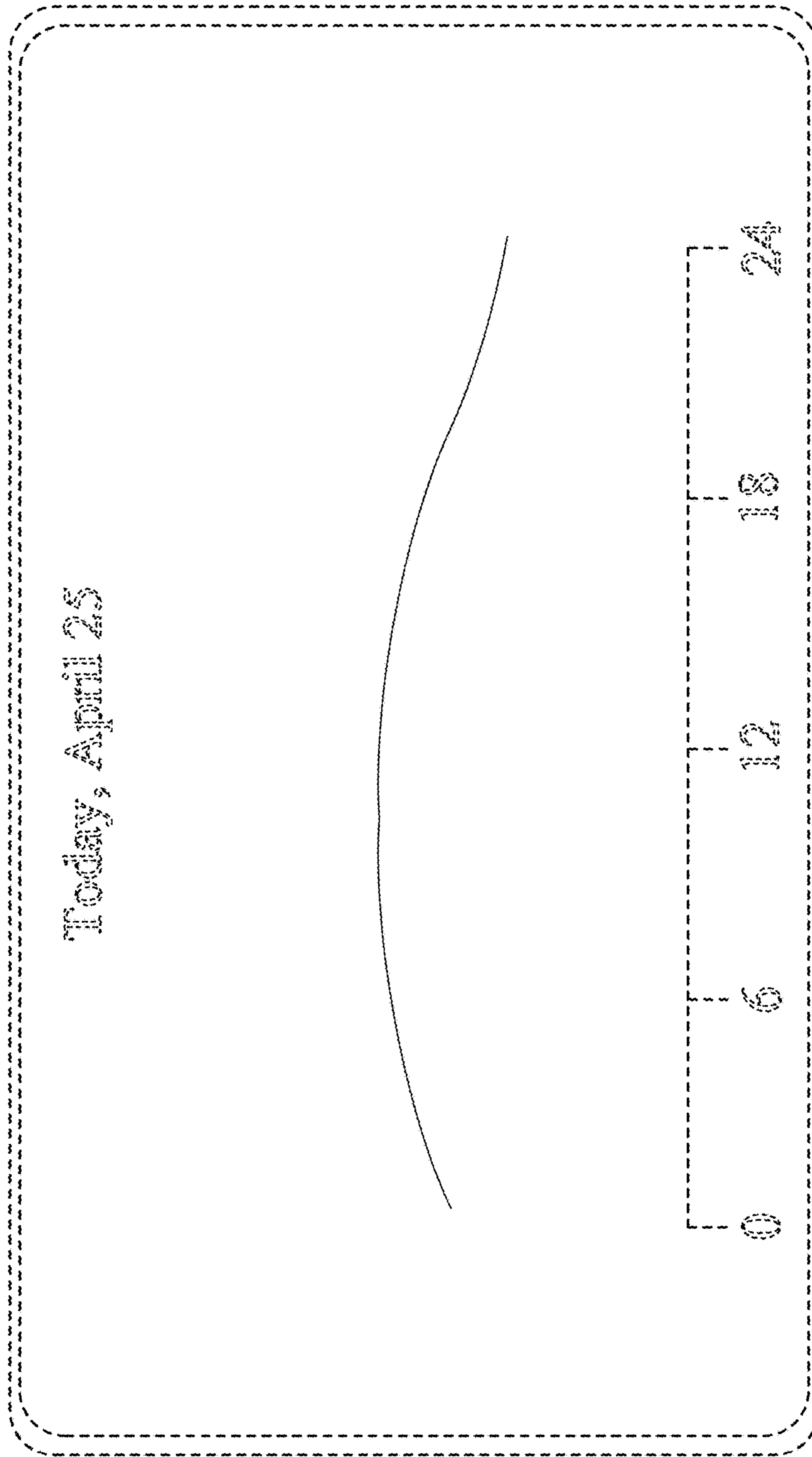


FIG. 1

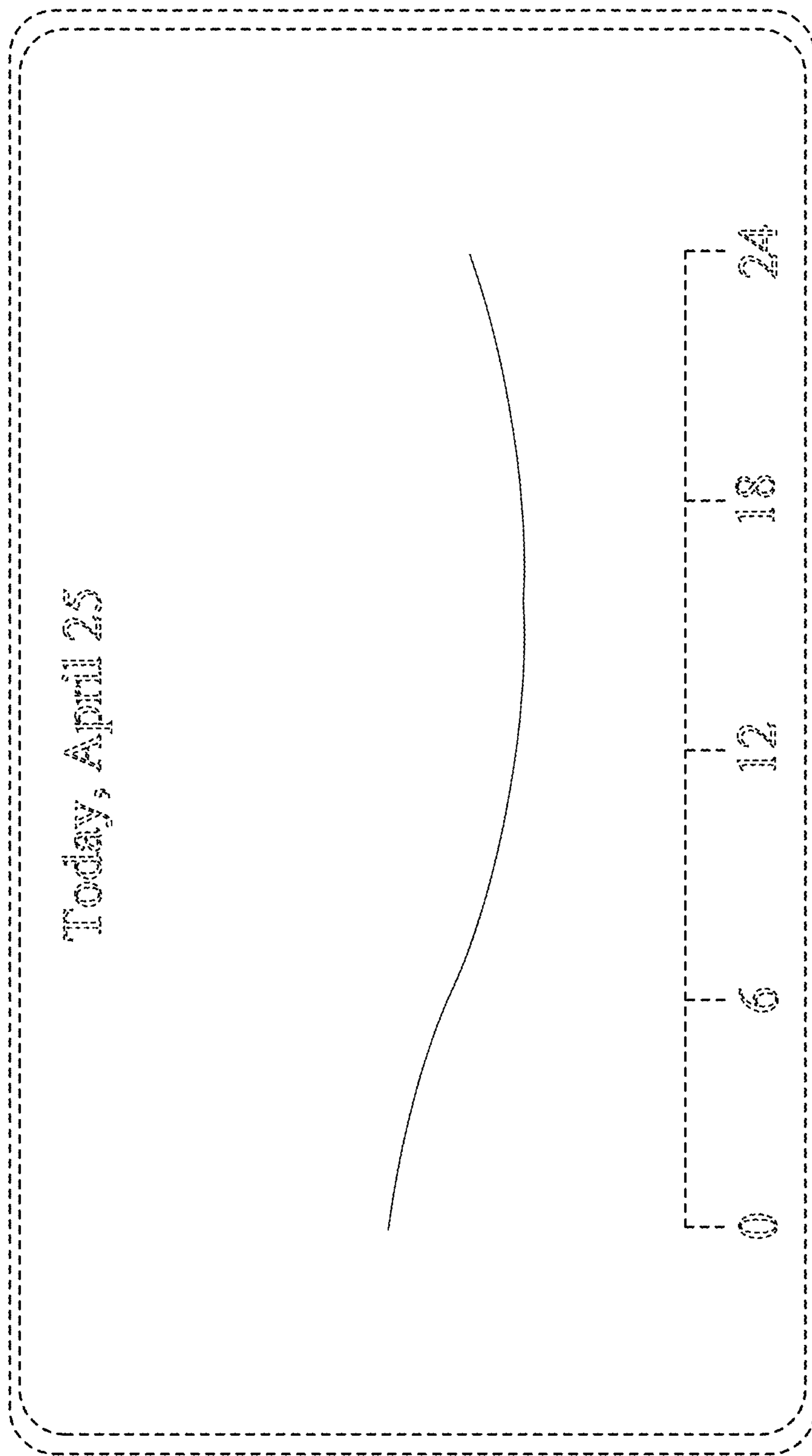


FIG. 2

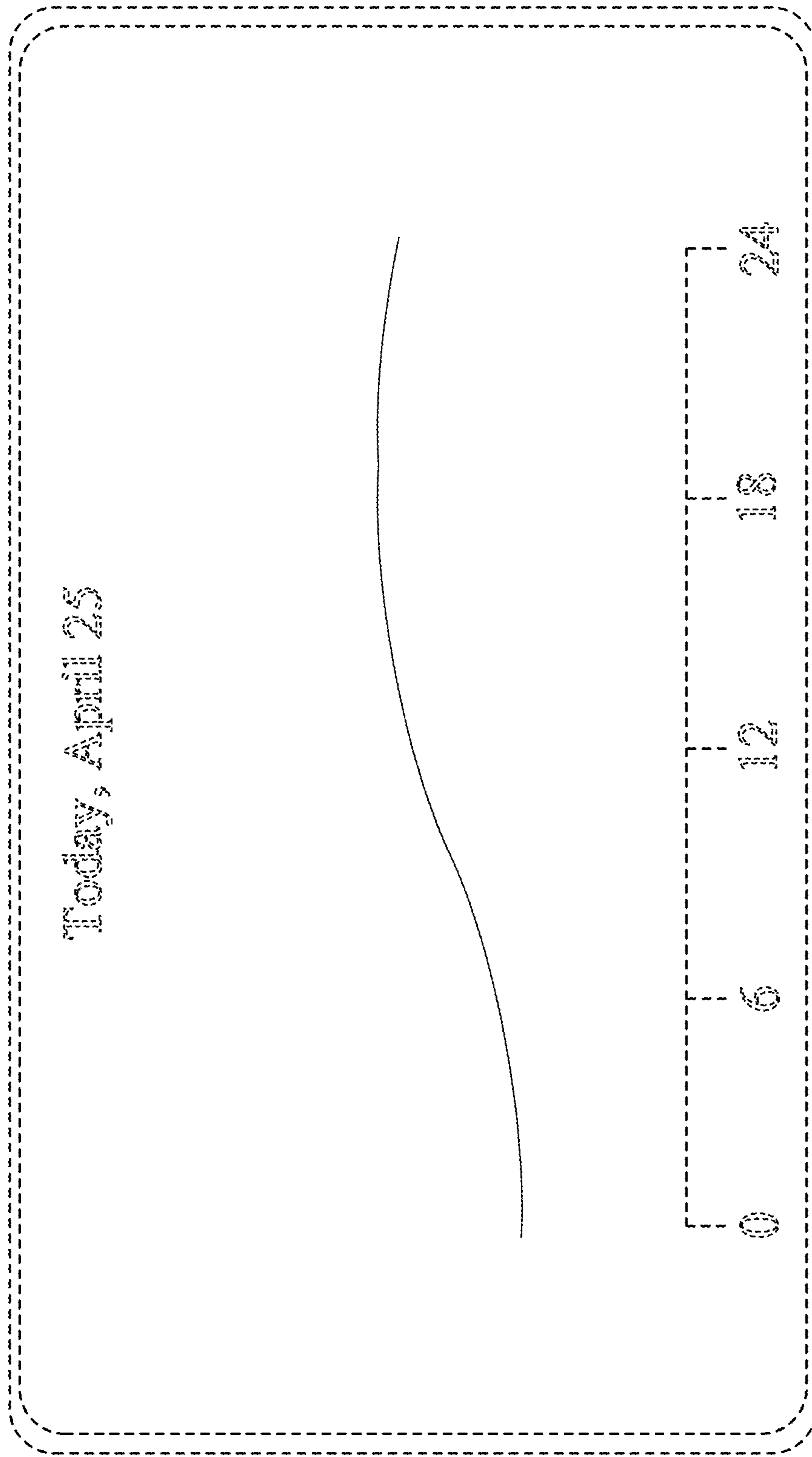


FIG. 3

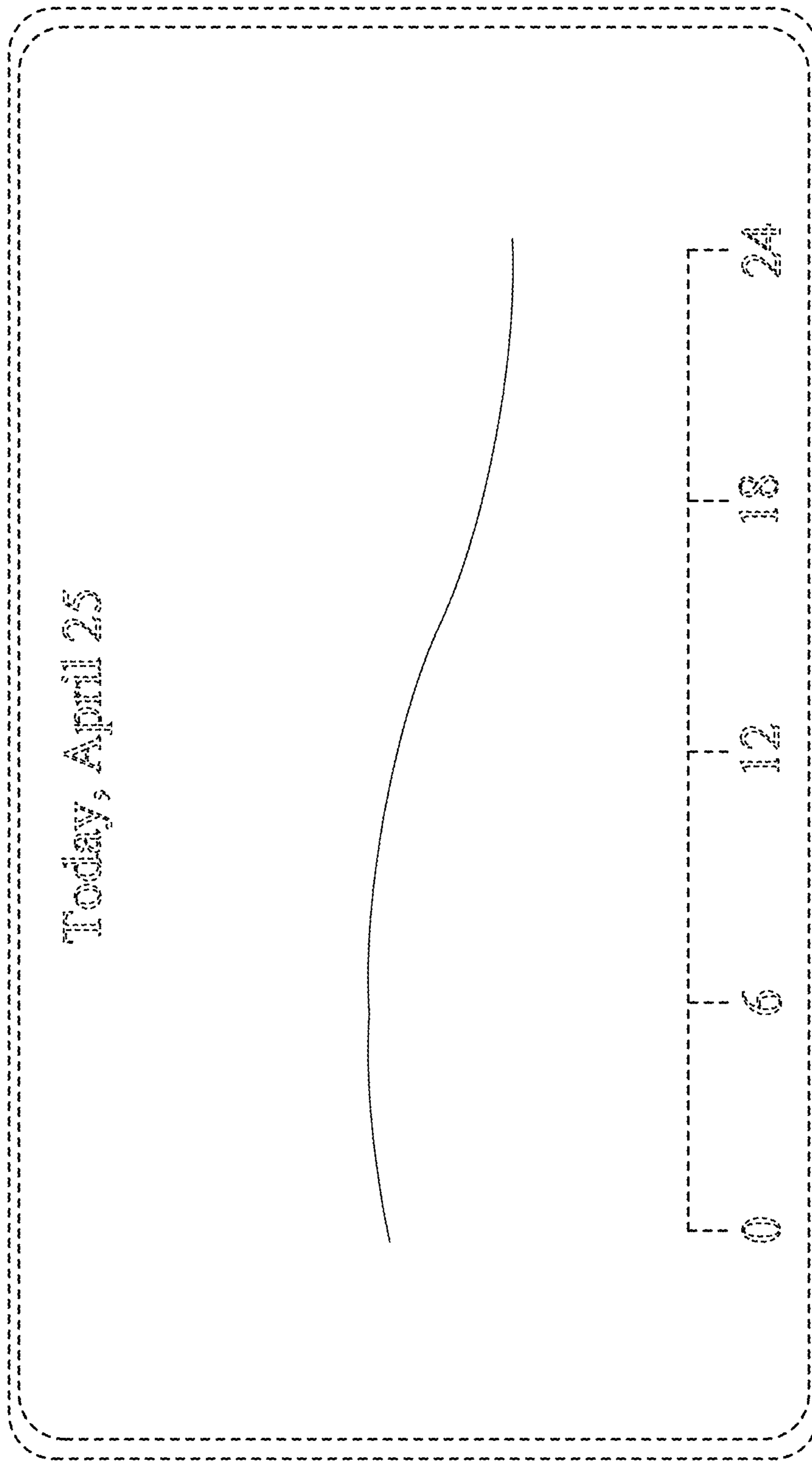


FIG. 4

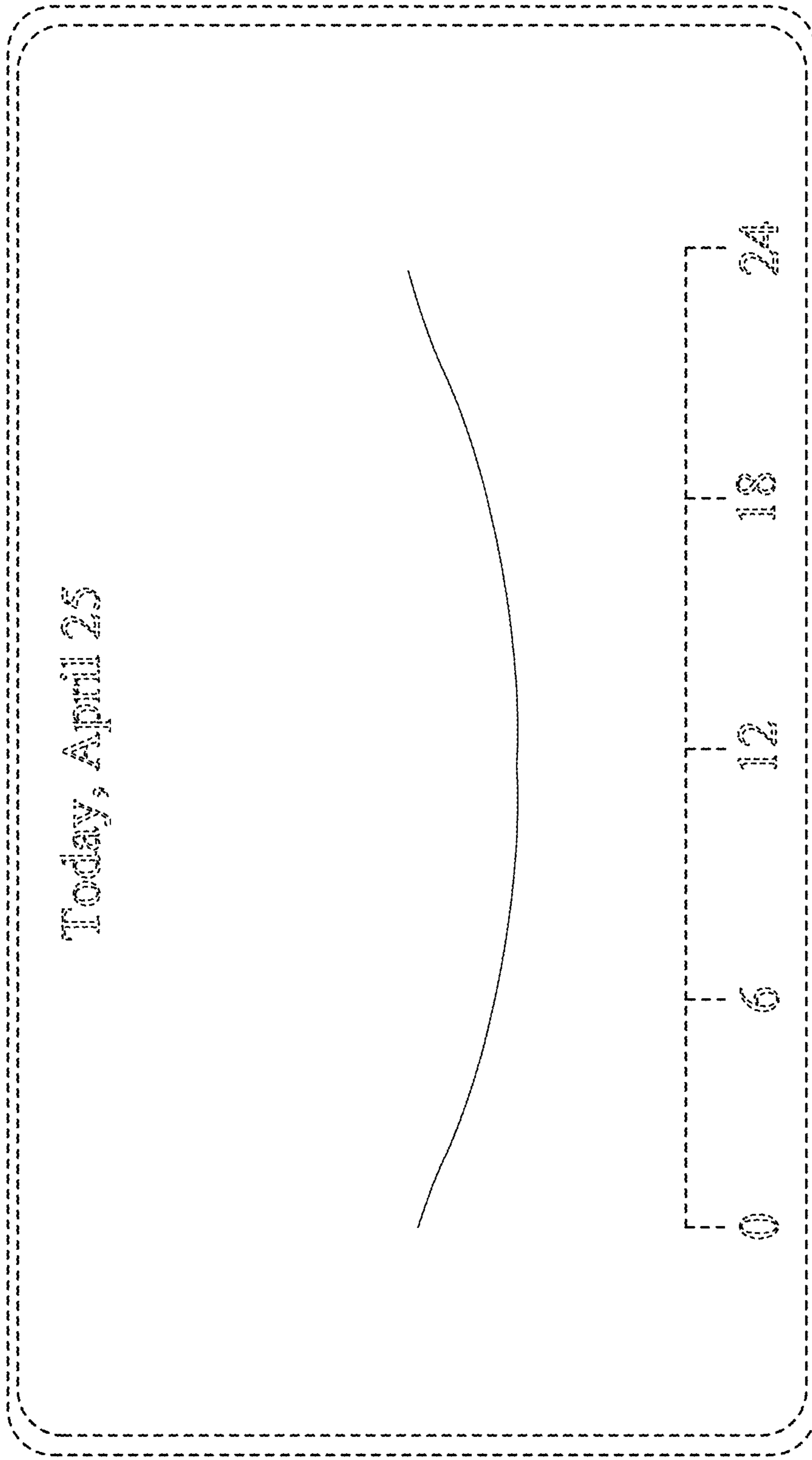


FIG. 5

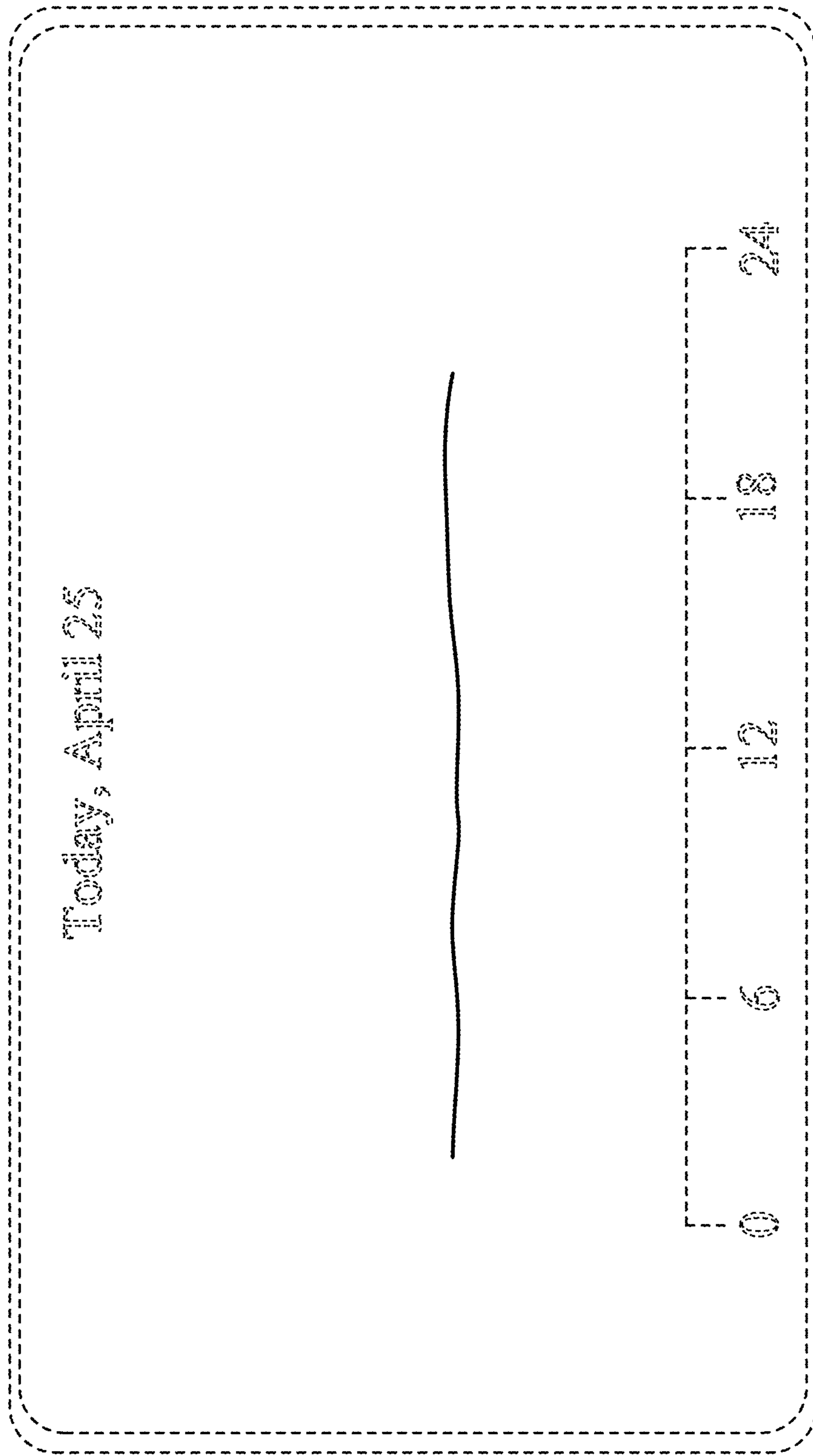


FIG. 6

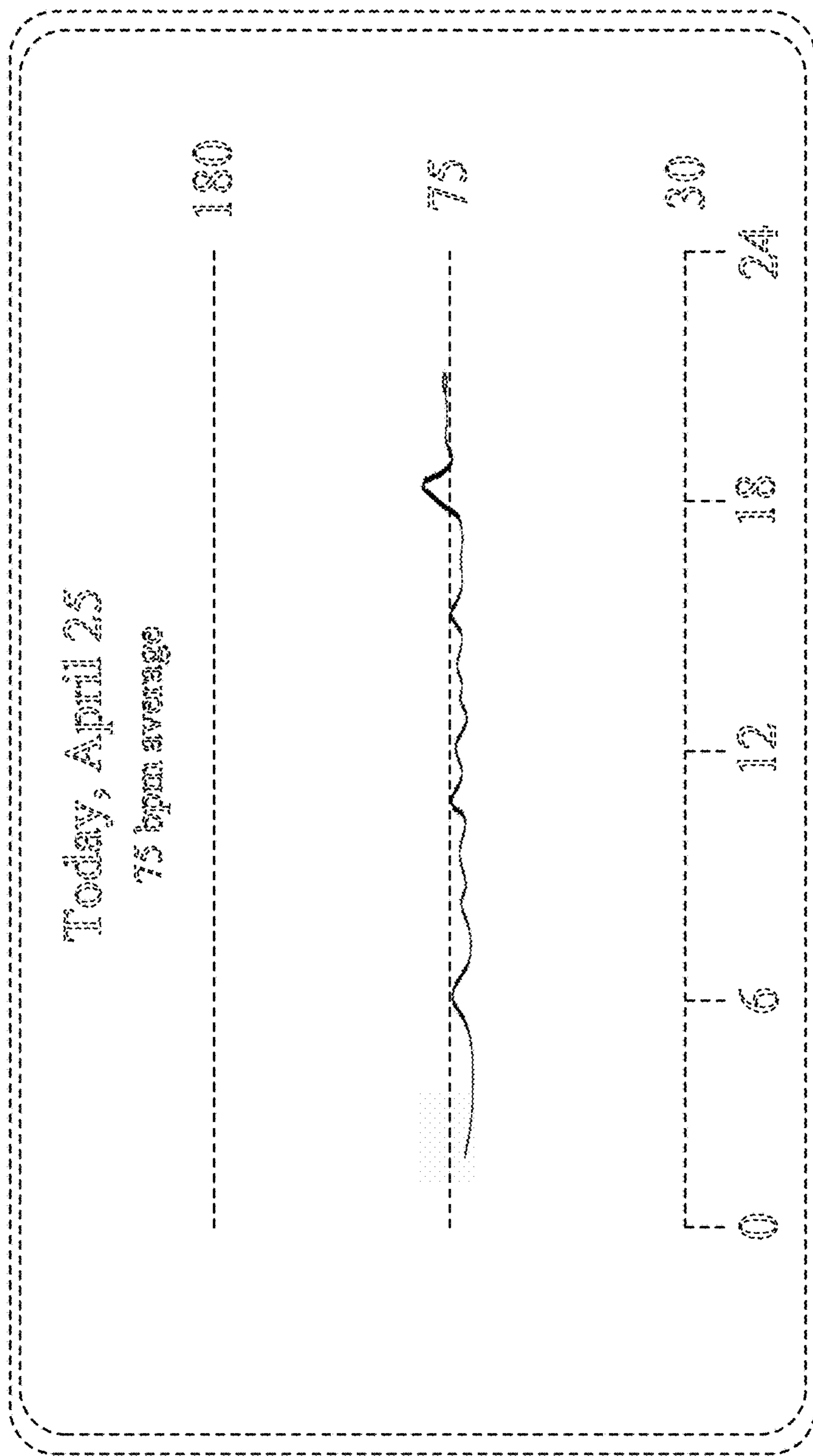


FIG. 7

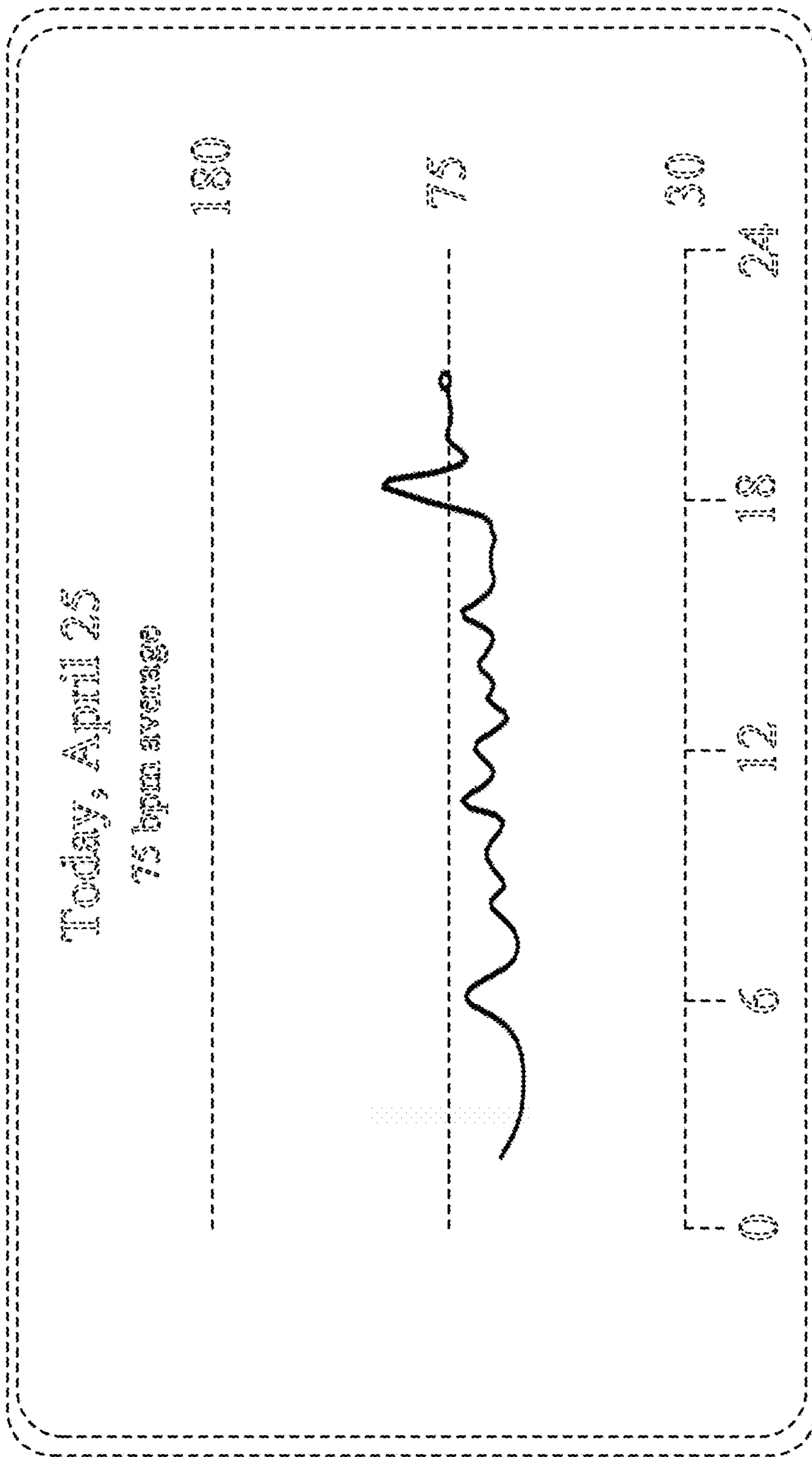


FIG. 8

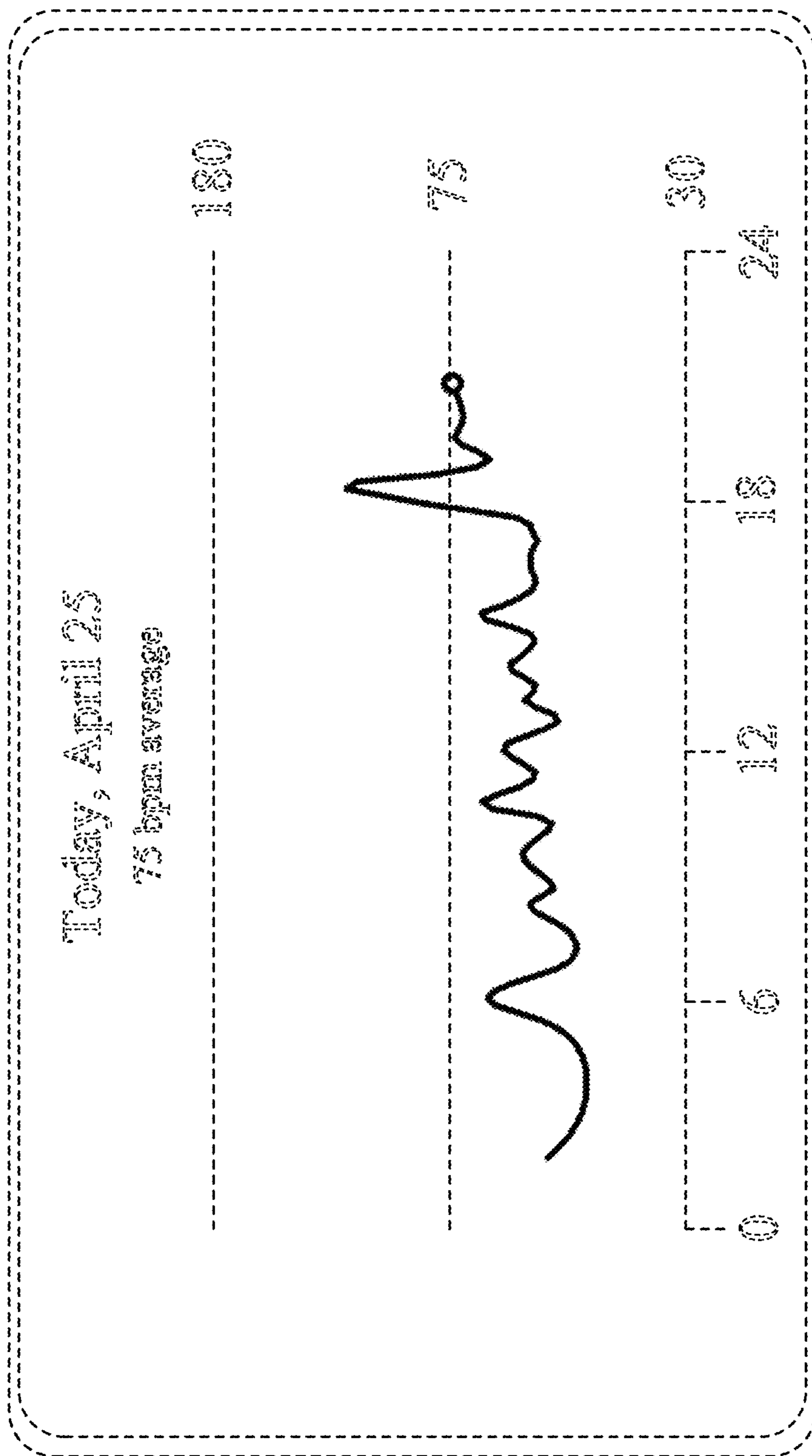


FIG. 9

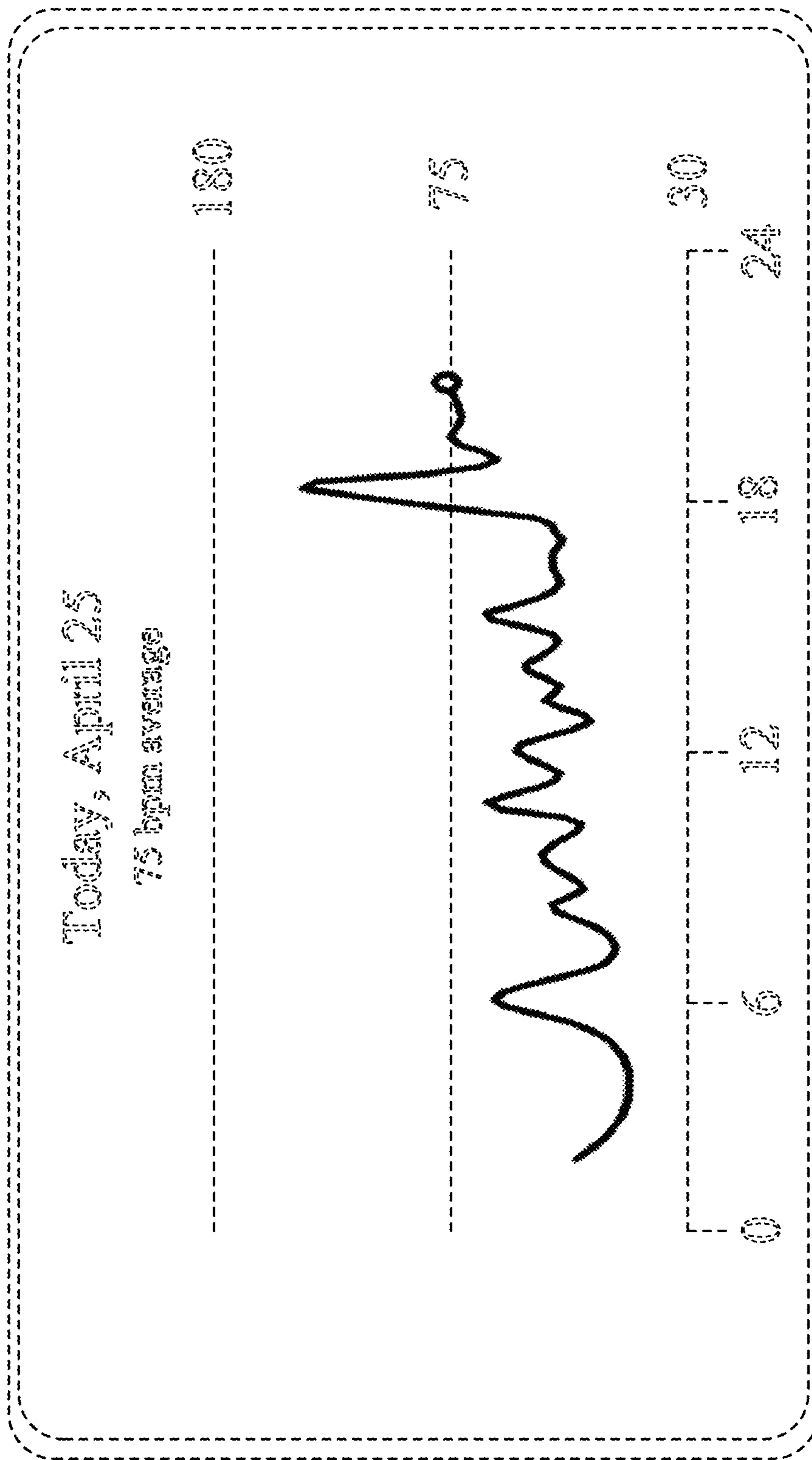


FIG. 10