

US00D864211S

(12) **United States Design Patent** (10) **Patent No.:** **US D864,211 S**
Tuang (45) **Date of Patent:** **** Oct. 22, 2019**

(54) **DESK MONITOR RISER**
(71) Applicant: **EP Family Corp.**, Walnut, CA (US)
(72) Inventor: **Bao-Yi Tuang**, Walnut, CA (US)
(**) Term: **15 Years**
(21) Appl. No.: **29/668,123**
(22) Filed: **Oct. 27, 2018**
(51) **LOC (12) Cl.** **14-02**
(52) **U.S. Cl.**
USPC **D14/451**
(58) **Field of Classification Search**
USPC D14/371-382, 125-129, 335-337,
D14/447-452, 492, 239, 457, 439-441,
D14/432, 251-253, 204, 209, 214-216;
D8/349, 354, 363, 373, 376, 380;
348/180, 184, 325, 739, 825; D12/407,
D12/415; D3/218; 341/12; D6/661,
D6/675.1, 675.3, 677.1, 678.1, 678.2,
D6/653.1, 653.15, 653.18, 653.19
CPC G06F 3/0412; G06F 3/016; G06F 3/0488;
G06F 3/011; G06F 3/038; G06F 3/03543;
G06F 3/0338; G06F 3/0202; G06F
3/0219; G06F 3/0213; G06F 1/1616;
G06F 3/023; G06F 3/04883; G02F
1/13338; G02F 1/1313; G02F 1/1333;
G02F 1/135; G02F 1/132; G02F
1/133308; G02F 1/134309; G02F
1/13718; G09G 3/3648; G06K 15/1252;
B41J 2/465; G03F 7/70291; G02B
27/0172; G02B 5/30; G02B 2027/0118;
G02B 27/0101; F16M 13/02; F16M
13/00; F16M 11/10; F16M 11/04; F16M
2200/08; F16M 11/2021; A47B 21/0314;
A47B 88/044; A47B 2021/0335; H02G
3/126; F16B 47/00; F16B 47/006; A47G
1/17; A47K 2201/00

See application file for complete search history.

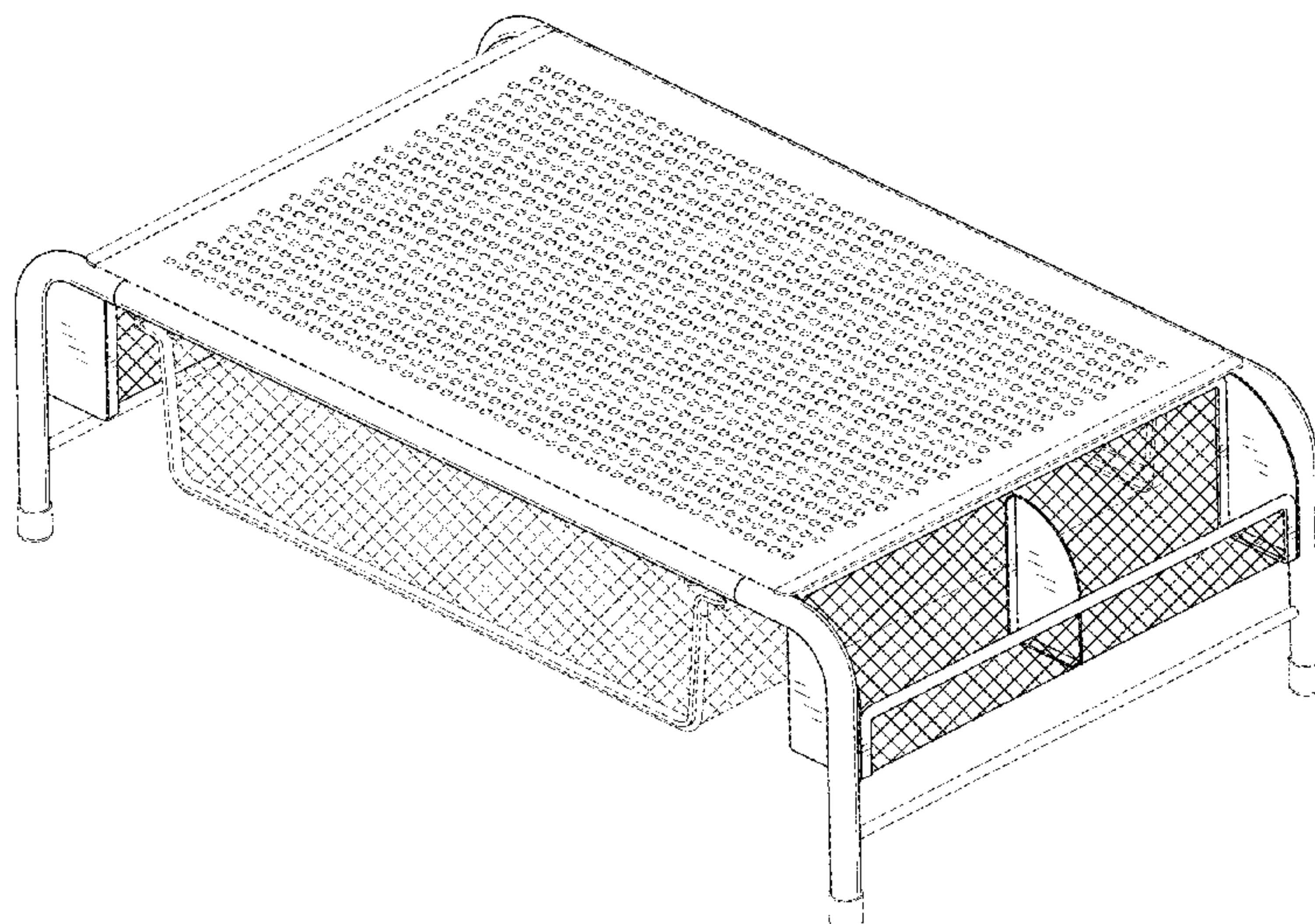
(56) **References Cited**
U.S. PATENT DOCUMENTS
D274,729 S * 7/1984 Hovey D14/451
D362,358 S * 9/1995 Hatcher D14/447
6,220,558 B1 * 4/2001 Broder A47B 21/0314
108/57.25
D478,632 S * 8/2003 Chen D14/252
D557,266 S * 12/2007 Hughes D14/451
D559,257 S * 1/2008 Hughes D14/451
D563,961 S * 3/2008 Hughes D14/447
D564,529 S * 3/2008 Hughes D14/451
D568,889 S * 5/2008 Hughes D14/447
D678,887 S * 3/2013 Stravitz D14/451
(Continued)

Primary Examiner — Katie Jane Stofko
(74) *Attorney, Agent, or Firm* — Tommy SF Wang; Wang
IP Law Group, P.C.

(57) **CLAIM**
The ornamental design for a desk monitor riser, as shown
and described.

DESCRIPTION
FIG. 1 is a perspective view of a desk monitor riser showing
my new design;
FIG. 2 is a front view thereof;
FIG. 3 is a rear view thereof;
FIG. 4 is a left side view thereof;
FIG. 5 is a right side view thereof;
FIG. 6 is a top view thereof;
FIG. 7 is a bottom view thereof;
FIG. 8 is another perspective view of a stand of the desk
monitor riser;
FIG. 9 is the other perspective view of a board of the desk
monitor riser; and,
FIG. 10 is the other perspective view thereof with a drawer
being removed.
The broken line portions of the desk monitor riser in FIGS.
1-10 represent unclaimed portions of the claimed design and
form no part thereof.

1 Claim, 8 Drawing Sheets



(56)

References Cited

U.S. PATENT DOCUMENTS

D722,831 S *	2/2015	Tuang	D7/600.1
D780,491 S *	3/2017	Magargee	D6/349
2003/0161096 A1 *	8/2003	Yin	G06F 1/1632 361/679.4

* cited by examiner

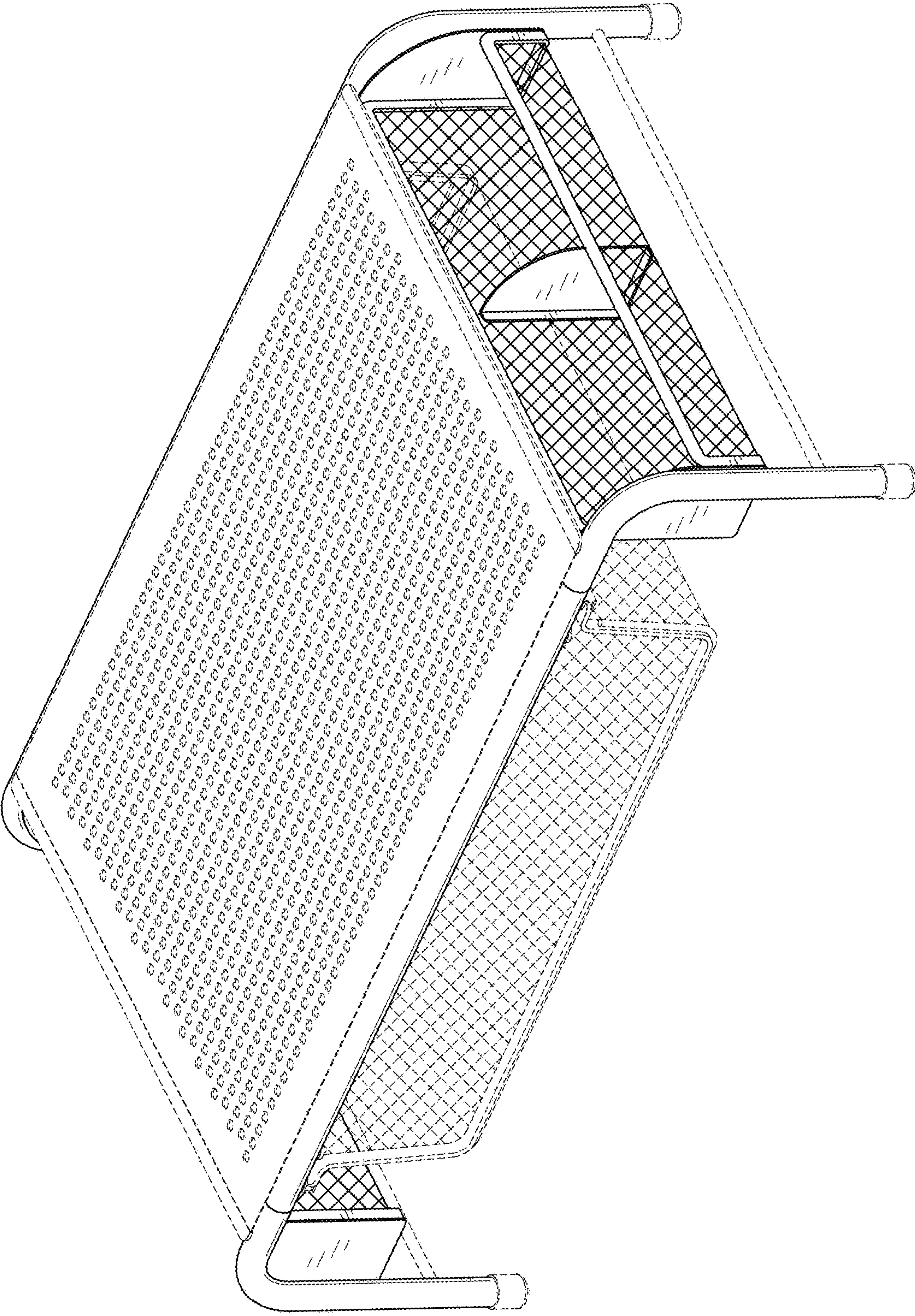


FIG. 1

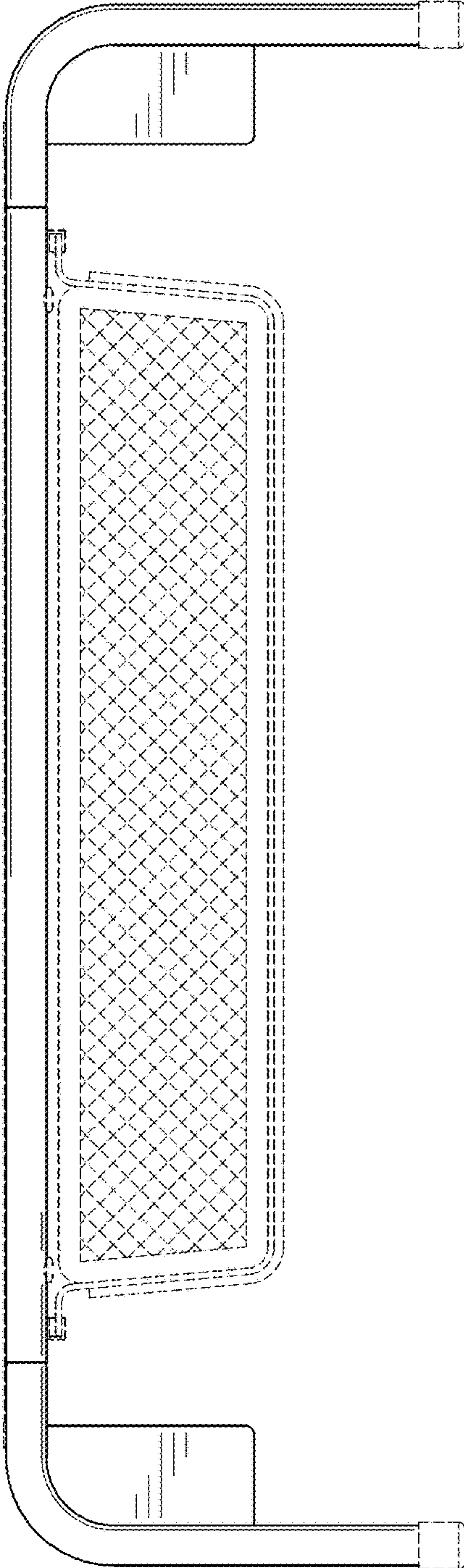


FIG. 2

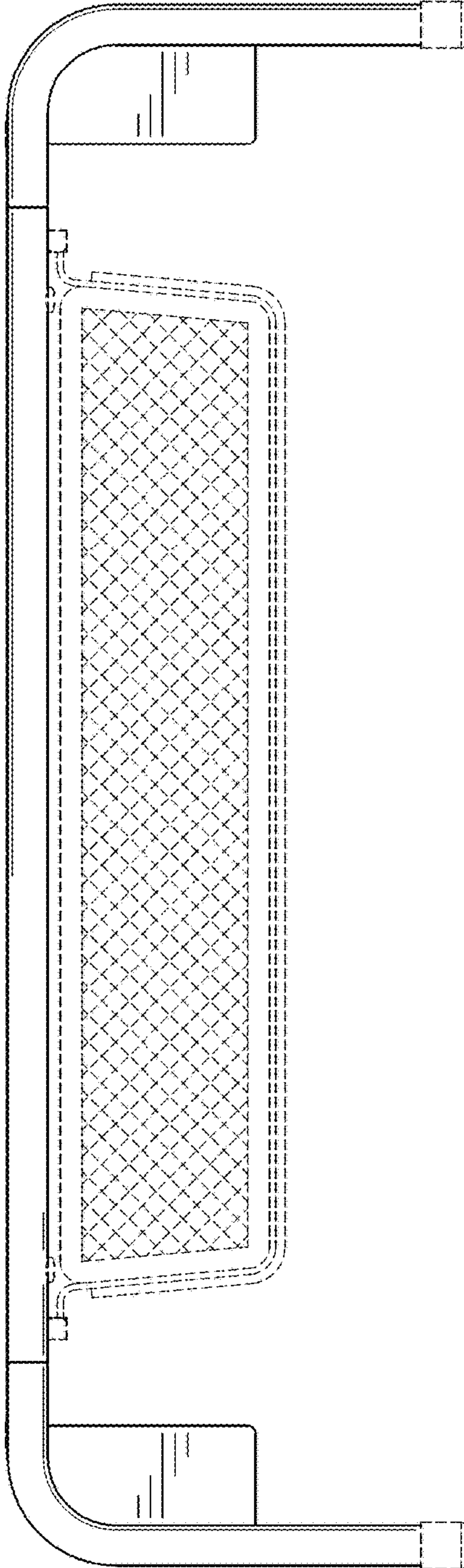


FIG. 3

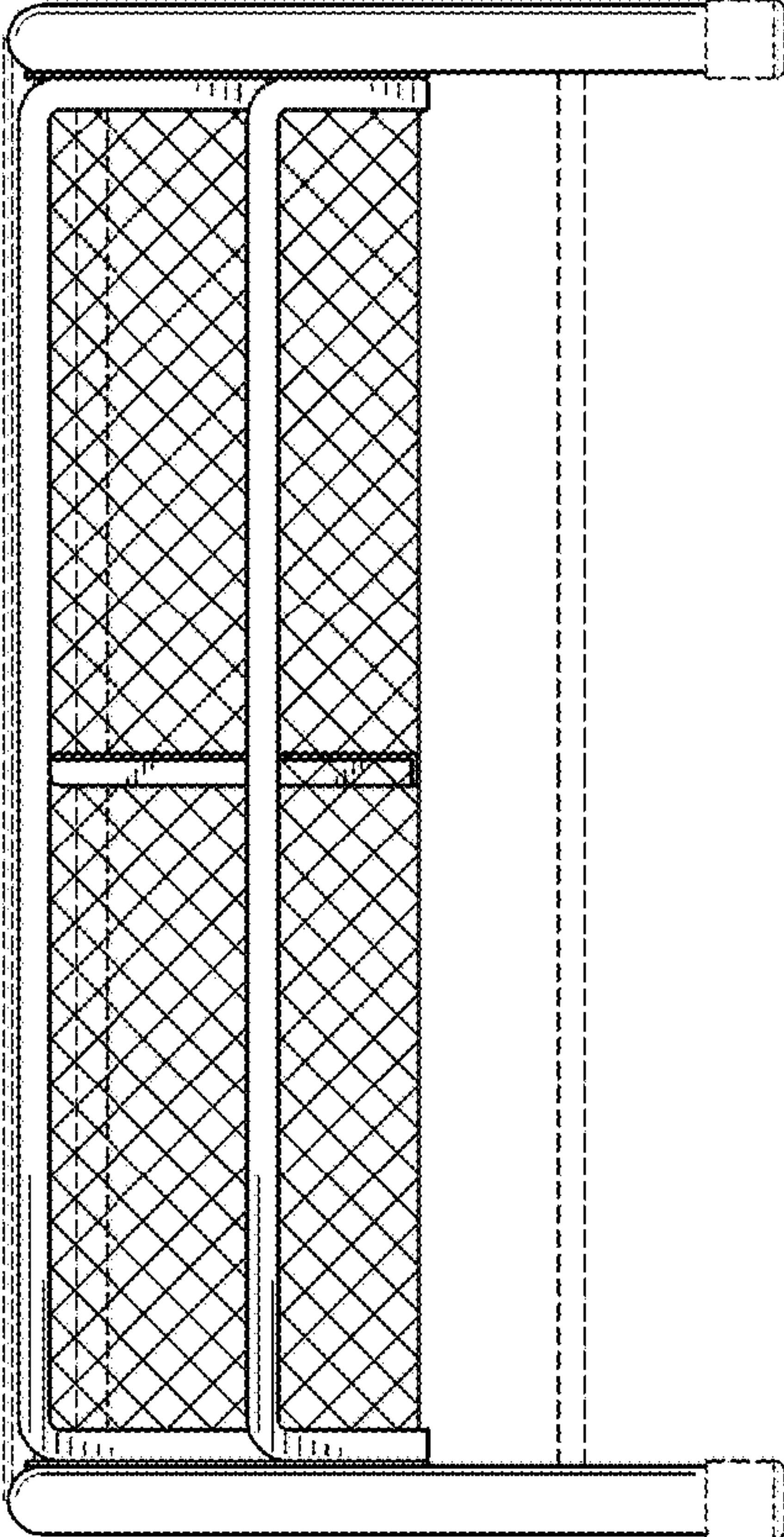


FIG. 4

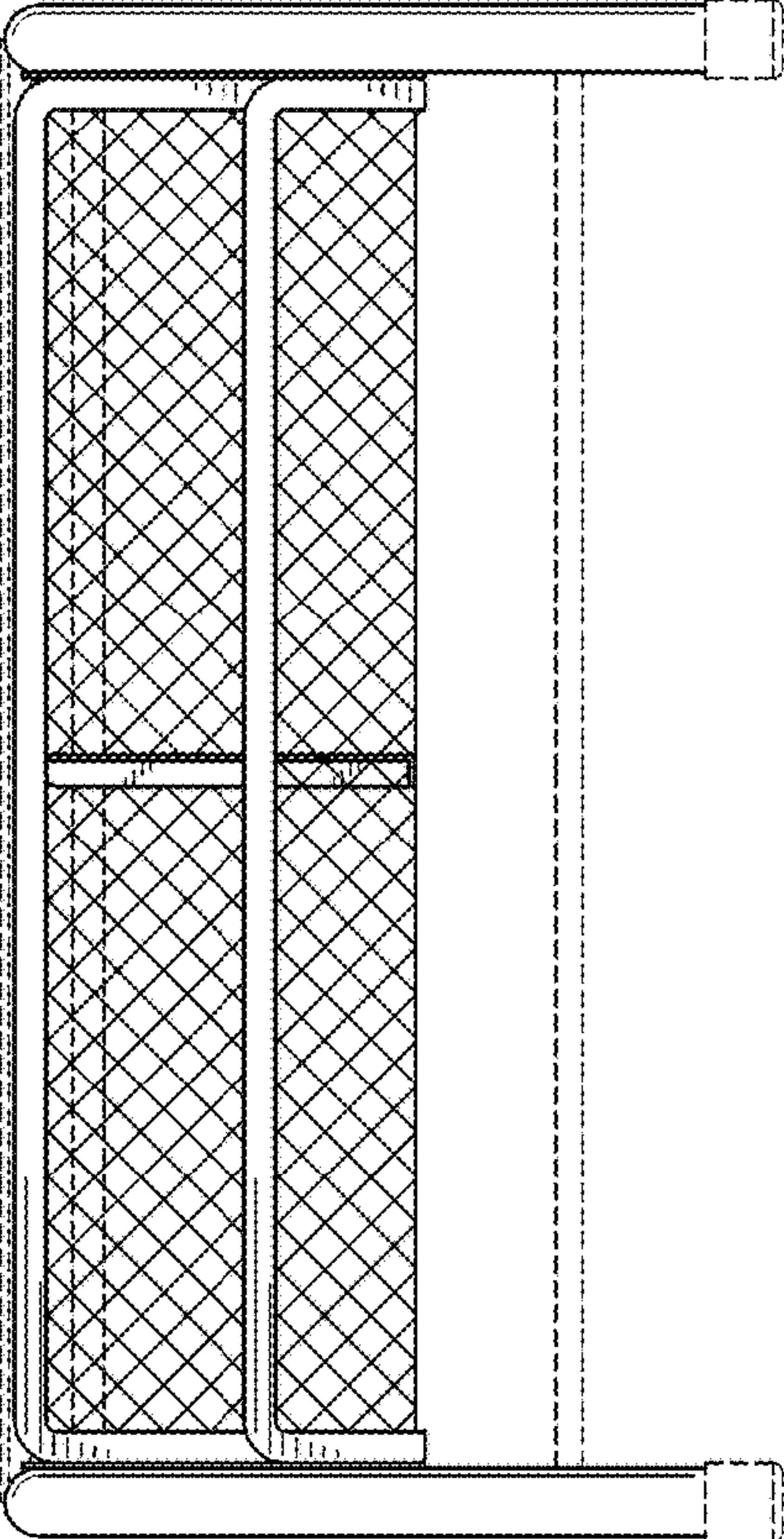


FIG. 5

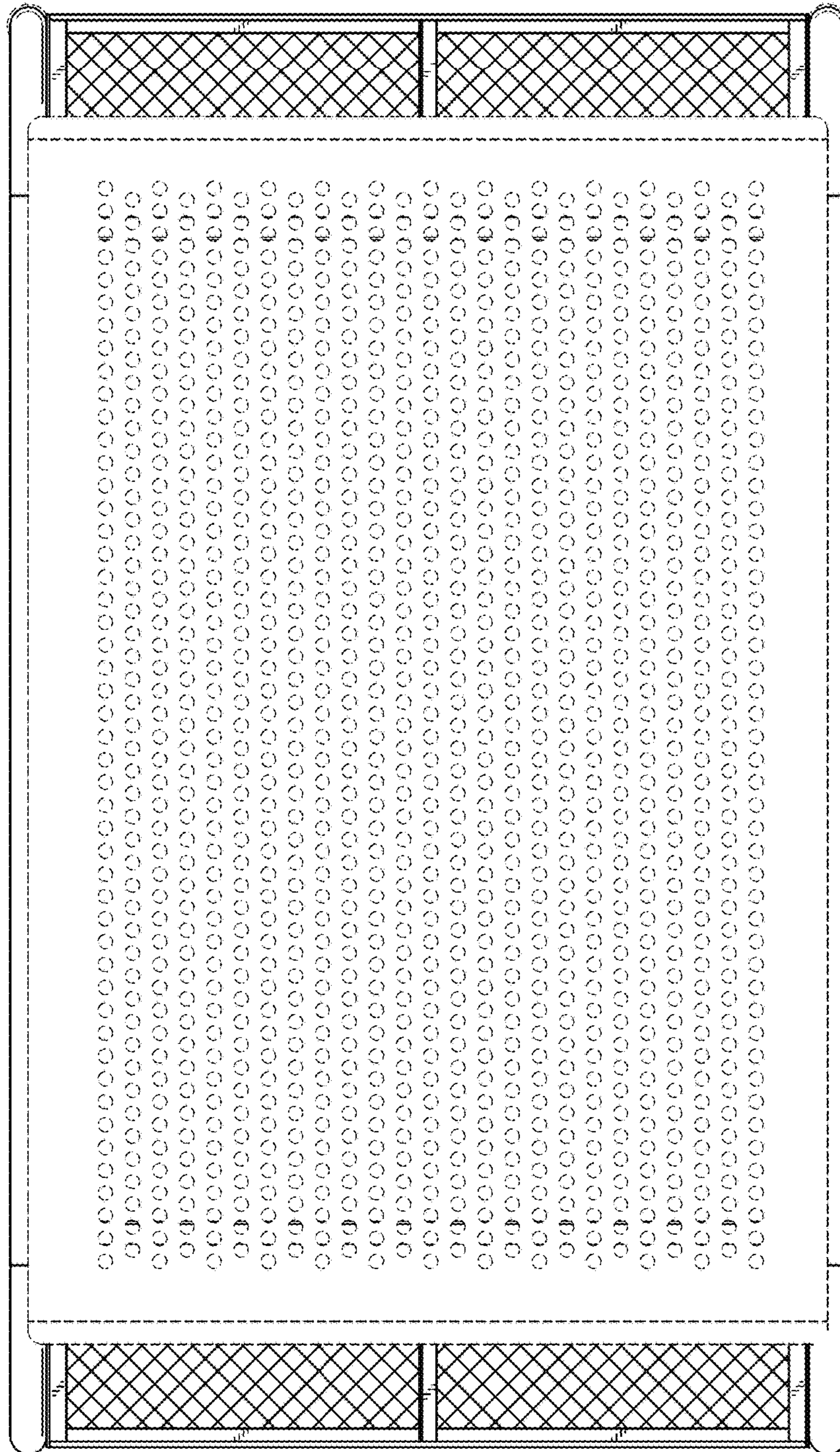


FIG. 6

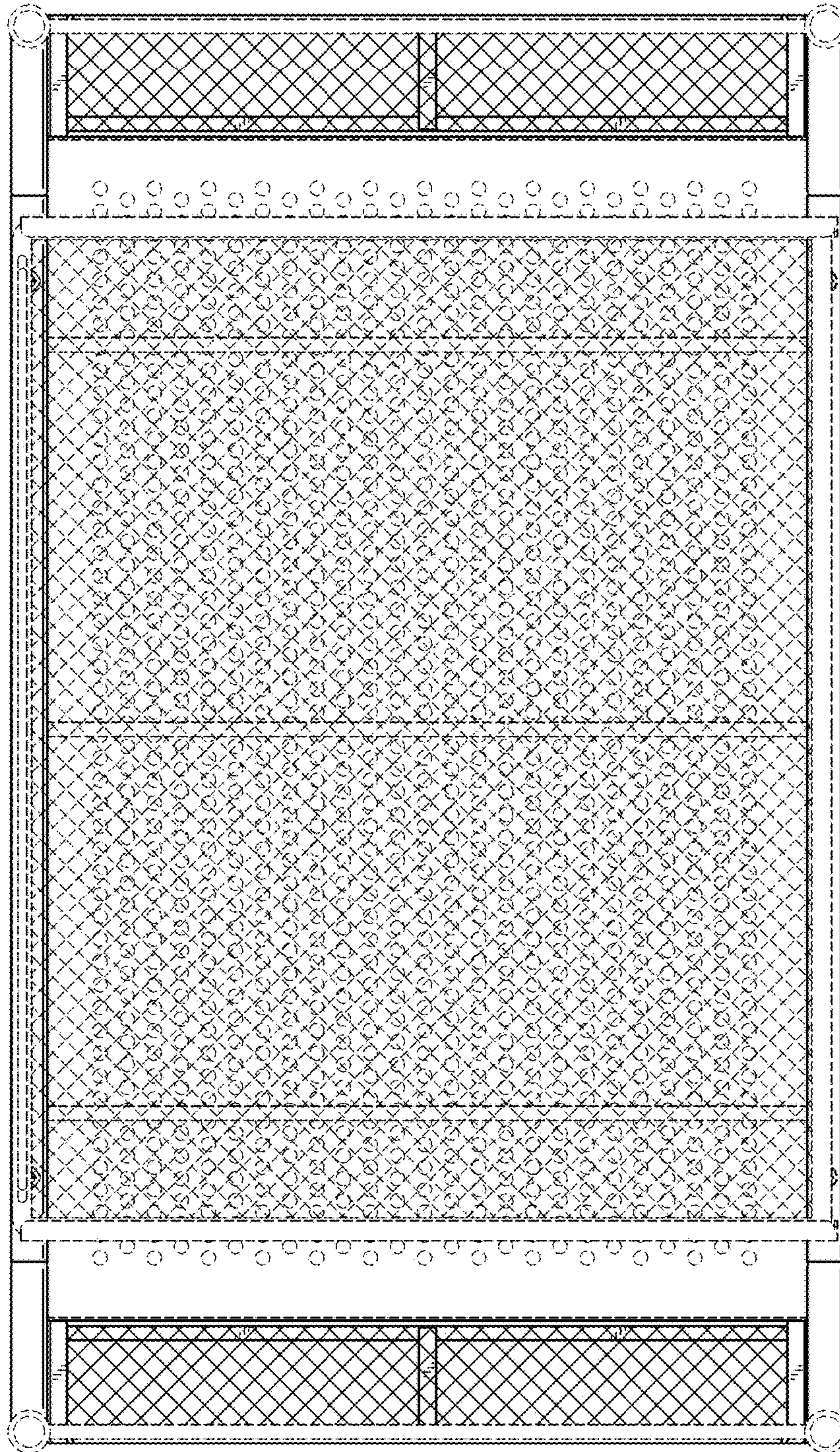


FIG. 7

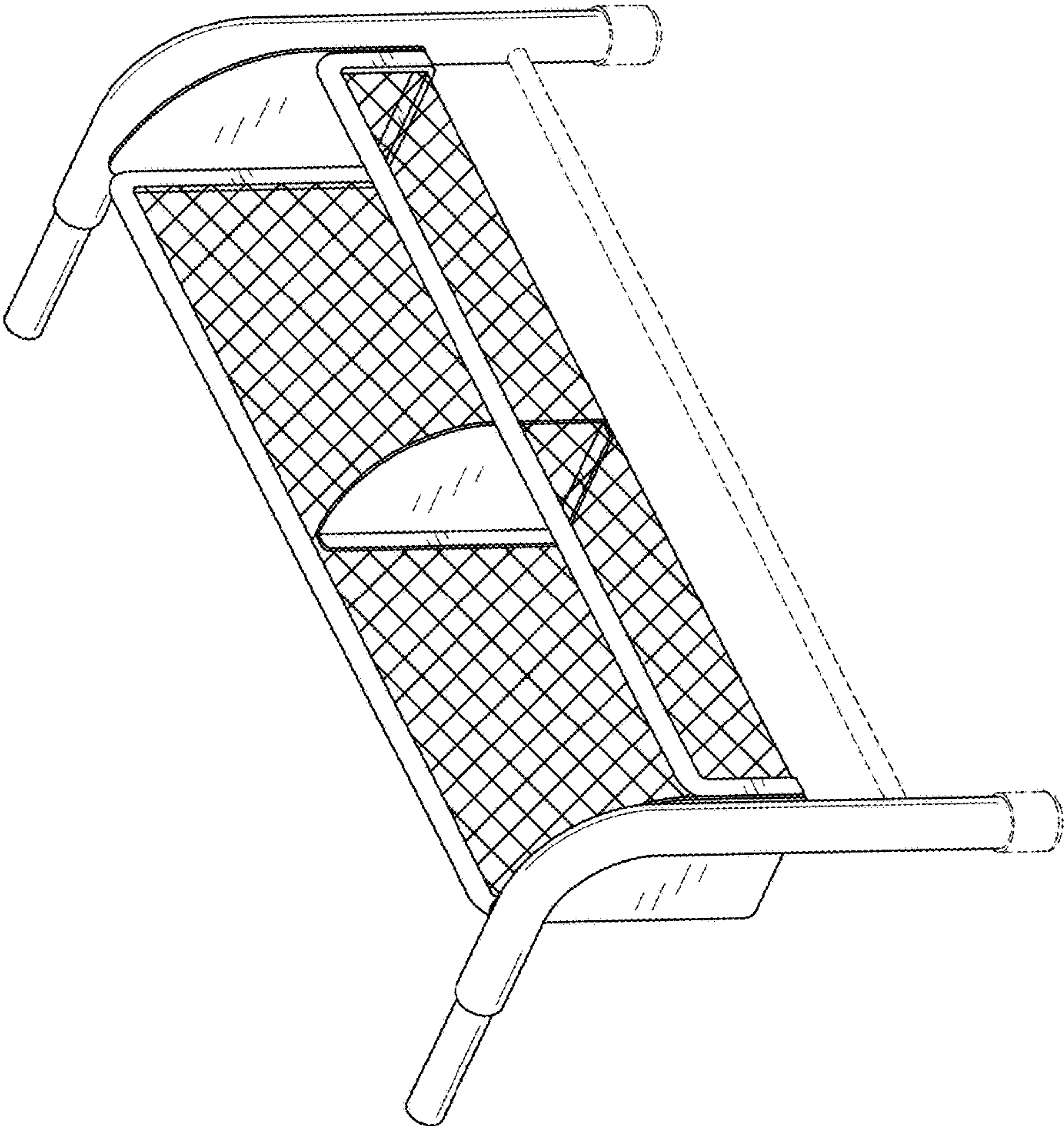


FIG. 8

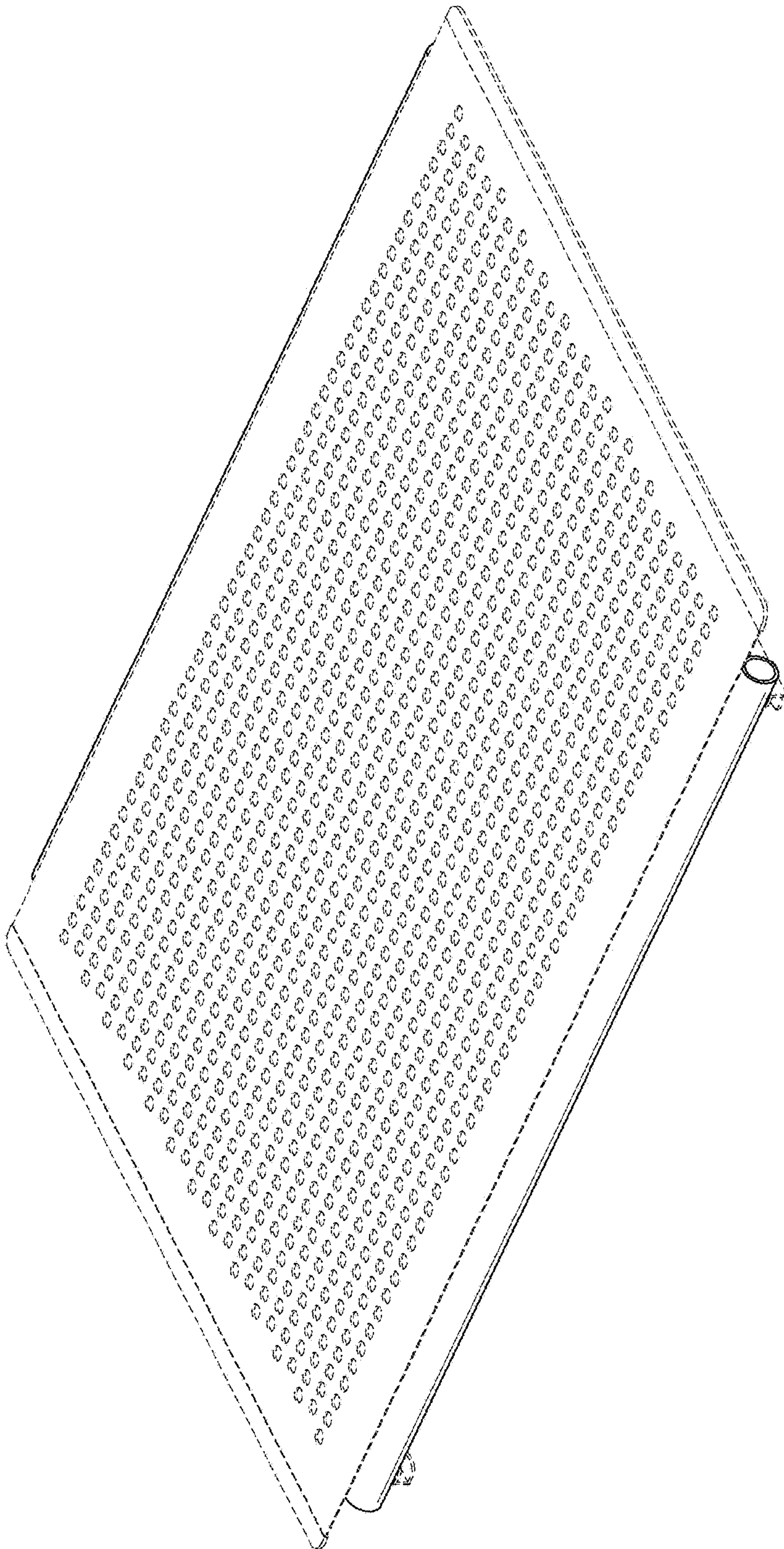


FIG. 9

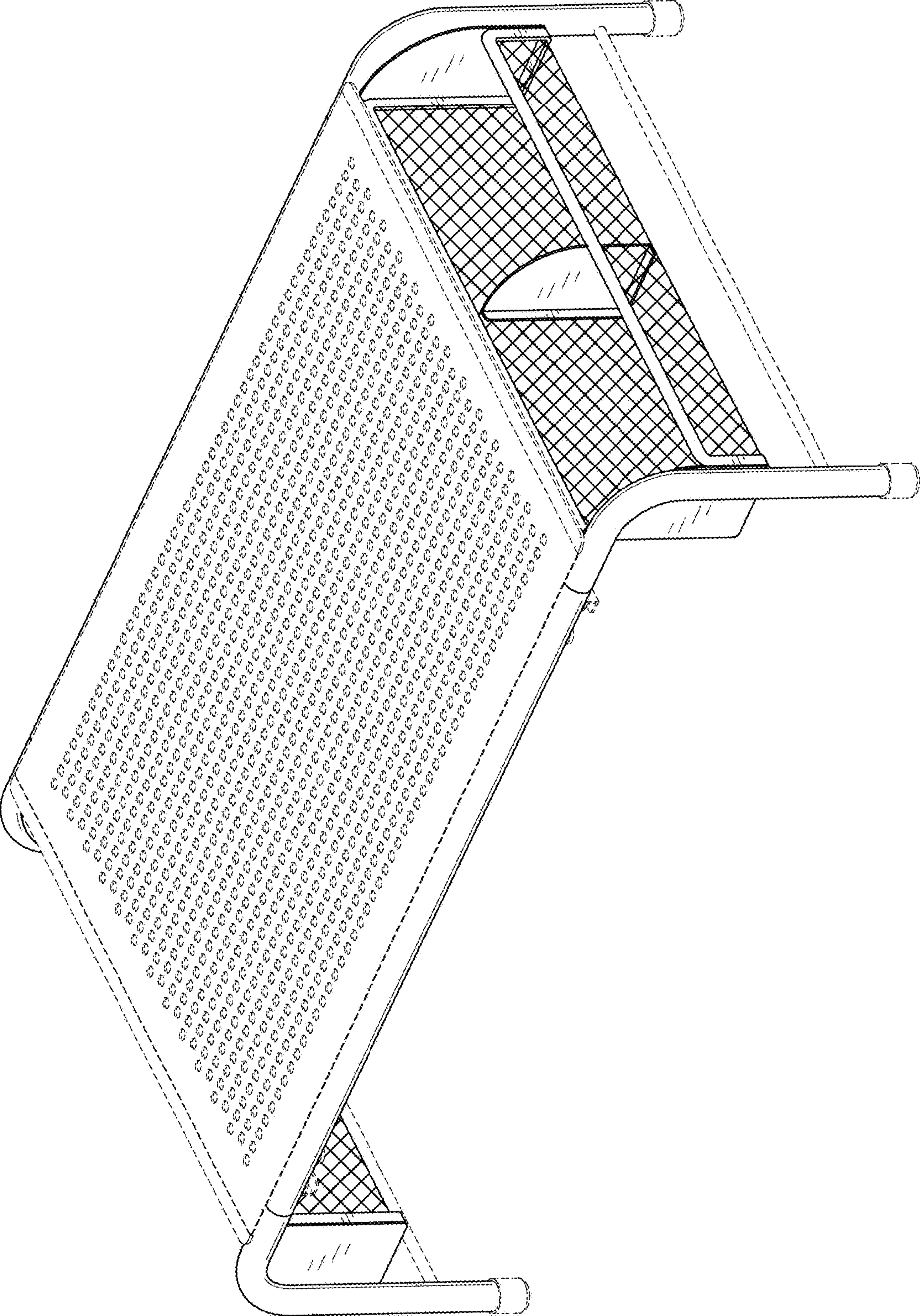


FIG. 10