

US00D864209S

(12) **United States Design Patent**  
**Wang**

(10) **Patent No.:** **US D864,209 S**

(45) **Date of Patent:** **\*\* Oct. 22, 2019**

(54) **COMPUTER DOCKING STATION**

(71) Applicant: **Qiang Wang**, Beijing (CN)

(72) Inventor: **Qiang Wang**, Beijing (CN)

(73) Assignee: **Shenzhen City Feideyue Technology Co., Ltd**, Shenzhen (CN)

(\*\*) Term: **15 Years**

(21) Appl. No.: **29/643,044**

(22) Filed: **Apr. 4, 2018**

(51) **LOC (12) Cl.** ..... **14-02**

(52) **U.S. Cl.**  
USPC ..... **D14/434**; D14/433

(58) **Field of Classification Search**  
USPC ..... D14/434, 432, 433, 440, 447, 251-253,  
D14/451, 452, 454, 140, 142, 149, 217,  
D14/240, 299, 496, 356, 357, 358, 209.1,  
D14/171; D13/103, 107, 108, 118, 119,  
D13/110, 123, 133.184; D21/333  
CPC ..... G06F 1/16; G06F 1/1616; G06F 1/1626;  
G06F 1/1632; G06F 1/1688; G06F 13/00;  
H01M 10/44; F16M 11/10; F16M 11/20;  
H02J 7/0042; H02J 7/00; H02J 7/0027;  
H02J 7/0044; H02J 7/0045; H02J 7/355;  
H02J 7/025; H01R 31/065; H04R 1/025;  
H04R 5/04

See application file for complete search history.

(56) **References Cited**

**U.S. PATENT DOCUMENTS**

D245,909 S	*	9/1977	Kawano	.....	D10/15
D363,064 S	*	10/1995	Rogov	.....	D14/433
D396,706 S	*	8/1998	Rao	.....	D14/433
D397,674 S	*	9/1998	Rao	.....	D14/433
D413,574 S	*	9/1999	Goto	.....	D13/146
D430,882 S	*	9/2000	Tsai	.....	D14/434
D470,848 S	*	2/2003	Morooka	.....	D14/433
D556,185 S	*	11/2007	Motoishi	.....	D10/2

D561,094 S	*	2/2008	Sween	.....	D13/110
D579,931 S	*	11/2008	Chang	.....	D14/242
D584,230 S	*	1/2009	Yin	.....	D13/147
D596,634 S	*	7/2009	Wong	.....	D14/358
D647,901 S	*	11/2011	Lin	.....	D14/356
D648,690 S	*	11/2011	Snodgrass	.....	D14/125
D716,304 S	*	10/2014	Orthey	.....	D14/385
D717,243 S	*	11/2014	Liu	.....	D13/103
D718,735 S	*	12/2014	Lockenwitz	.....	D14/155
D720,755 S	*	1/2015	Nokuo	.....	D14/433
D743,889 S	*	11/2015	Lyles	.....	D13/110
D746,823 S	*	1/2016	Lai	.....	D14/434
D750,563 S	*	3/2016	Hedderich	.....	D13/137.1

(Continued)

**OTHER PUBLICATIONS**

Belkin USB-C 3.1 Express Dock. amazon.com. (Online) 13 pgs.  
Date Available Sep. 26, 2017. [Retrieved on Apr. 15, 2019] <https://www.amazon.com/Belkin-USB-C-Express-1-Meter-Cable/dp/B075G3VPW5>.\*

(Continued)

*Primary Examiner* — Marie D. Fast Horse

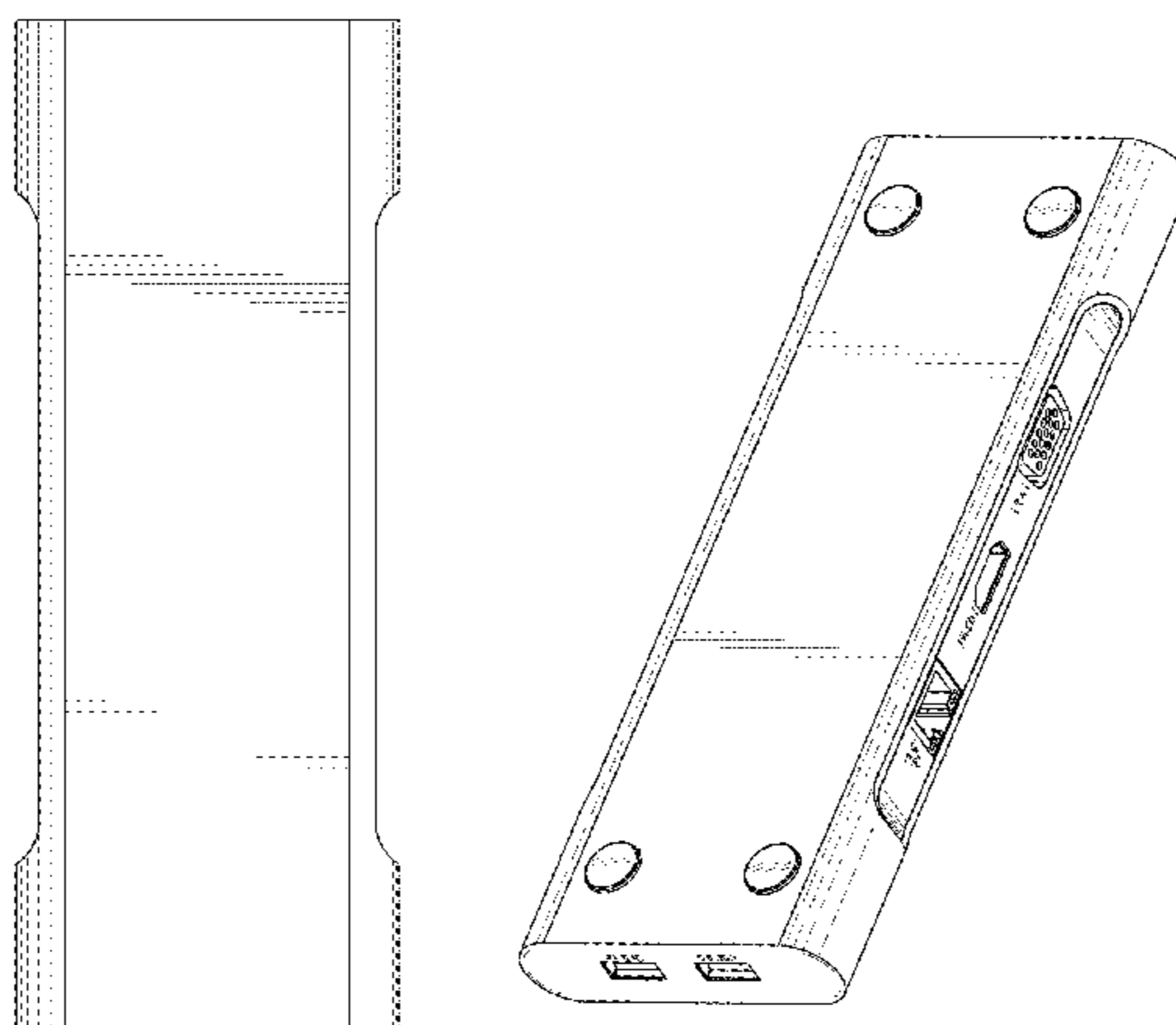
(57) **CLAIM**

The ornamental design for a computer docking station, as shown and described.

**DESCRIPTION**

FIG. 1 is a front elevational view of a computer docking station showing my new design;  
FIG. 2 is a rear elevational view thereof;  
FIG. 3 is a left side elevational view thereof;  
FIG. 4 is a right side elevational view thereof;  
FIG. 5 is a top plan view thereof;  
FIG. 6 is a bottom plan view thereof; and,  
FIG. 7 is a perspective view thereof.  
The broken lines in the drawings depict parts of the computer docking station that form no part of the claimed design.

**1 Claim, 6 Drawing Sheets**



(56)

**References Cited**

U.S. PATENT DOCUMENTS

D781,785 S \* 3/2017 Akana ..... D13/147  
D797,663 S \* 9/2017 Miller ..... D13/107  
D813,874 S \* 3/2018 Magi ..... D14/434  
D828,295 S \* 9/2018 Li ..... D13/108  
D829,167 S \* 9/2018 Andre ..... D13/108  
D853,396 S \* 7/2019 Kong ..... D14/434  
2013/0049675 A1\* 2/2013 Minami ..... G06F 1/266  
320/103  
2018/0165053 A1\* 6/2018 Kuo ..... G06F 1/16

OTHER PUBLICATIONS

Converters. (Design—© Questel) orbit.com.[online PDF] 7 pgs.  
Print Dates range Oct. 28, 2015 through Sep. 28, 2018. [Retrieved  
on Apr. 15, 2019] [https://sobjprd.questel.fr/export/QPTUJ214/pdf2/  
d233b1a1-9228-4973-aec9-4d79a6a83c17-171808.pdf](https://sobjprd.questel.fr/export/QPTUJ214/pdf2/d233b1a1-9228-4973-aec9-4d79a6a83c17-171808.pdf).\*

\* cited by examiner

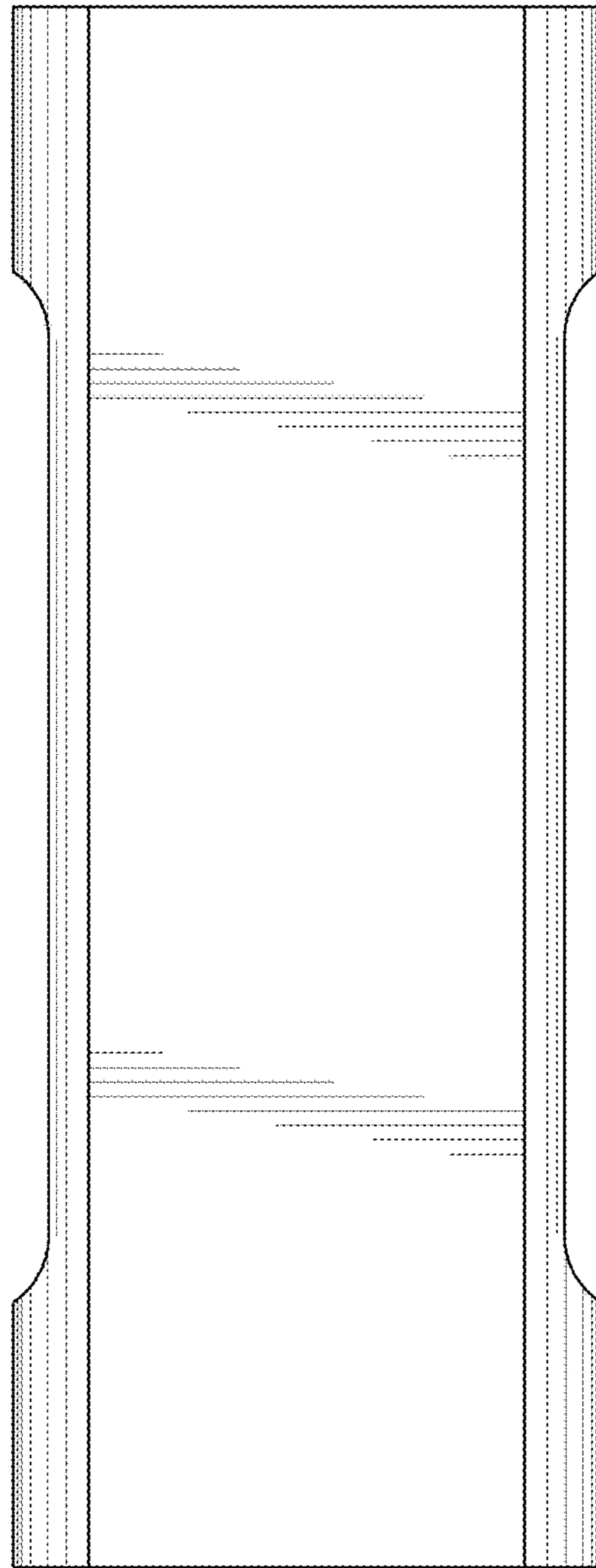


FIG. 1

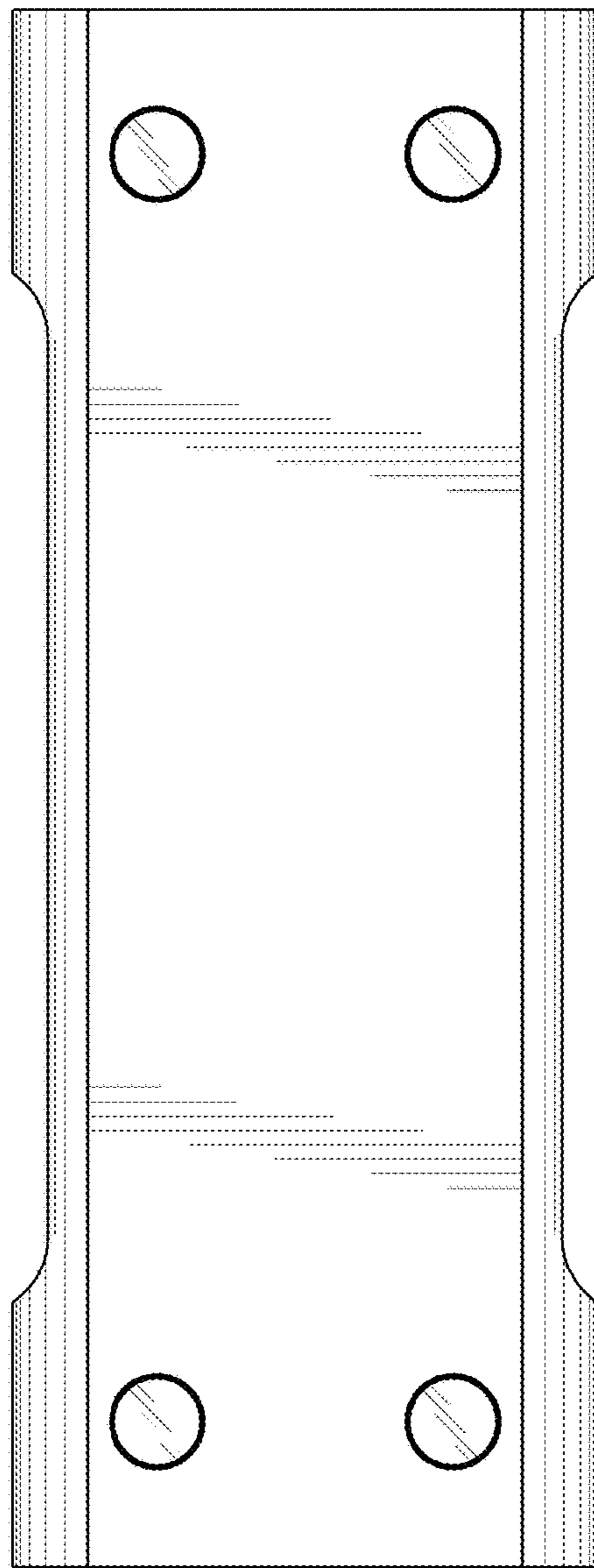


FIG.2

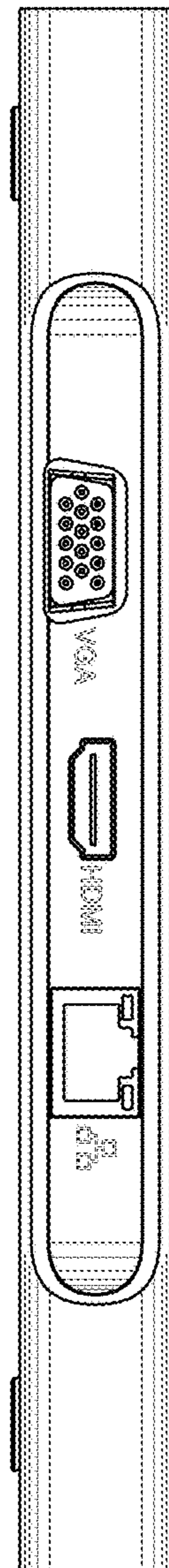


FIG.3

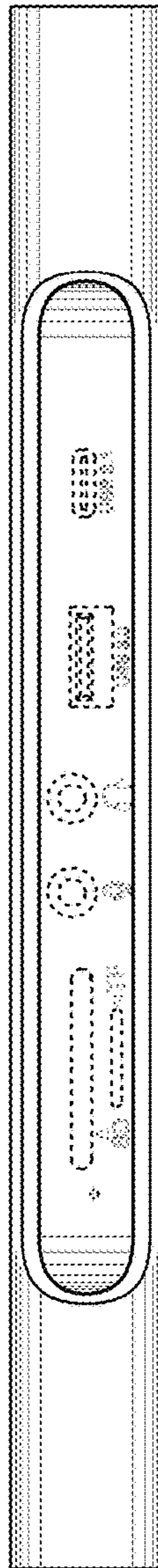


FIG.4

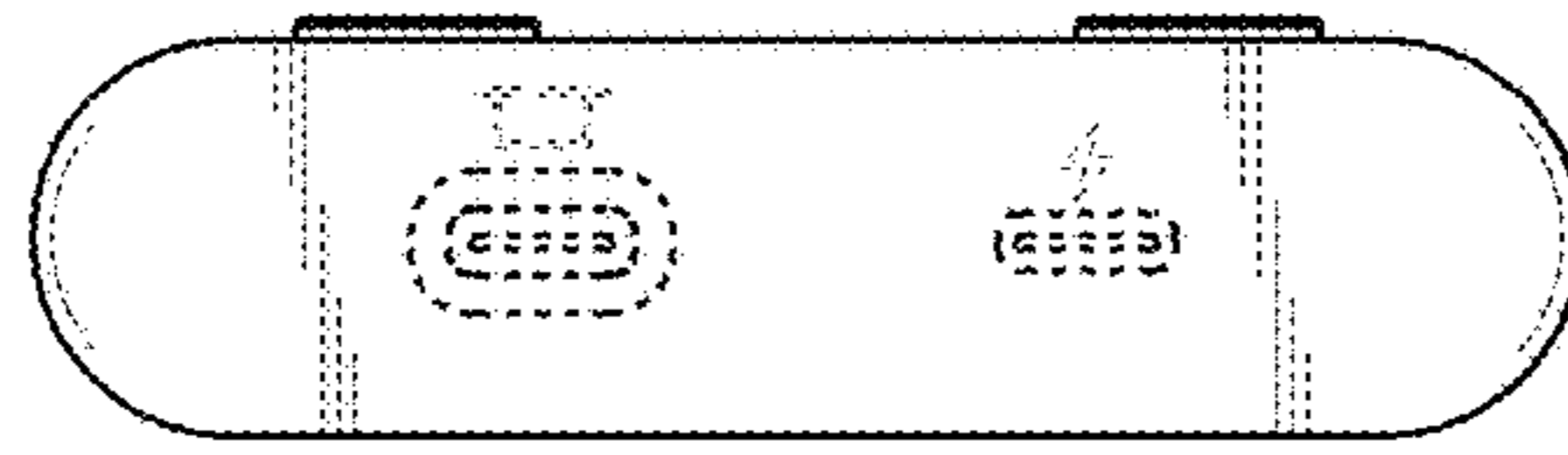


FIG. 5

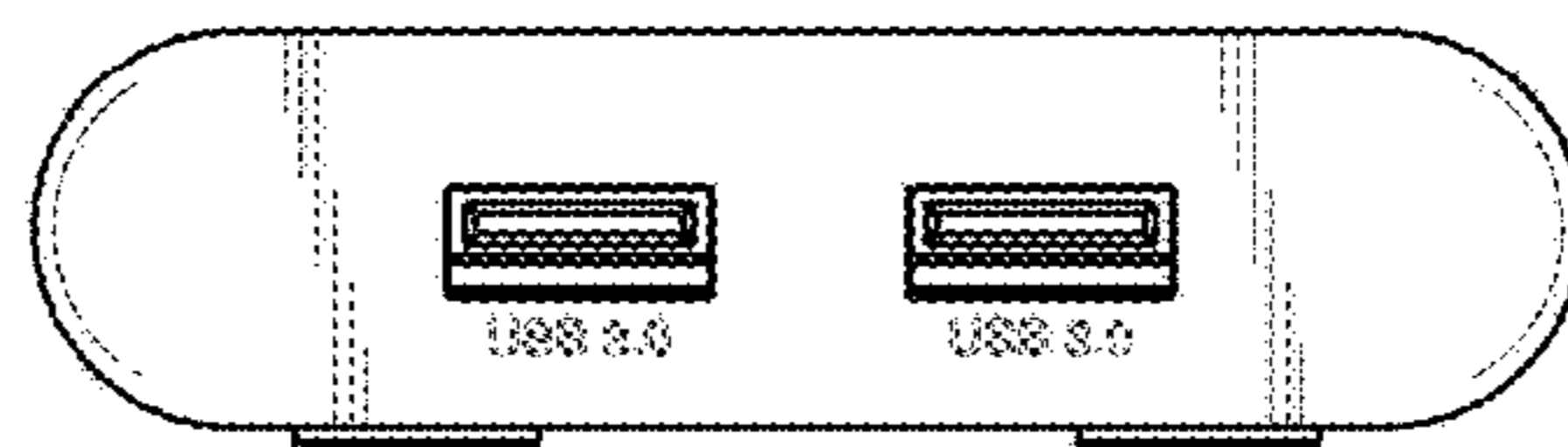


FIG. 6

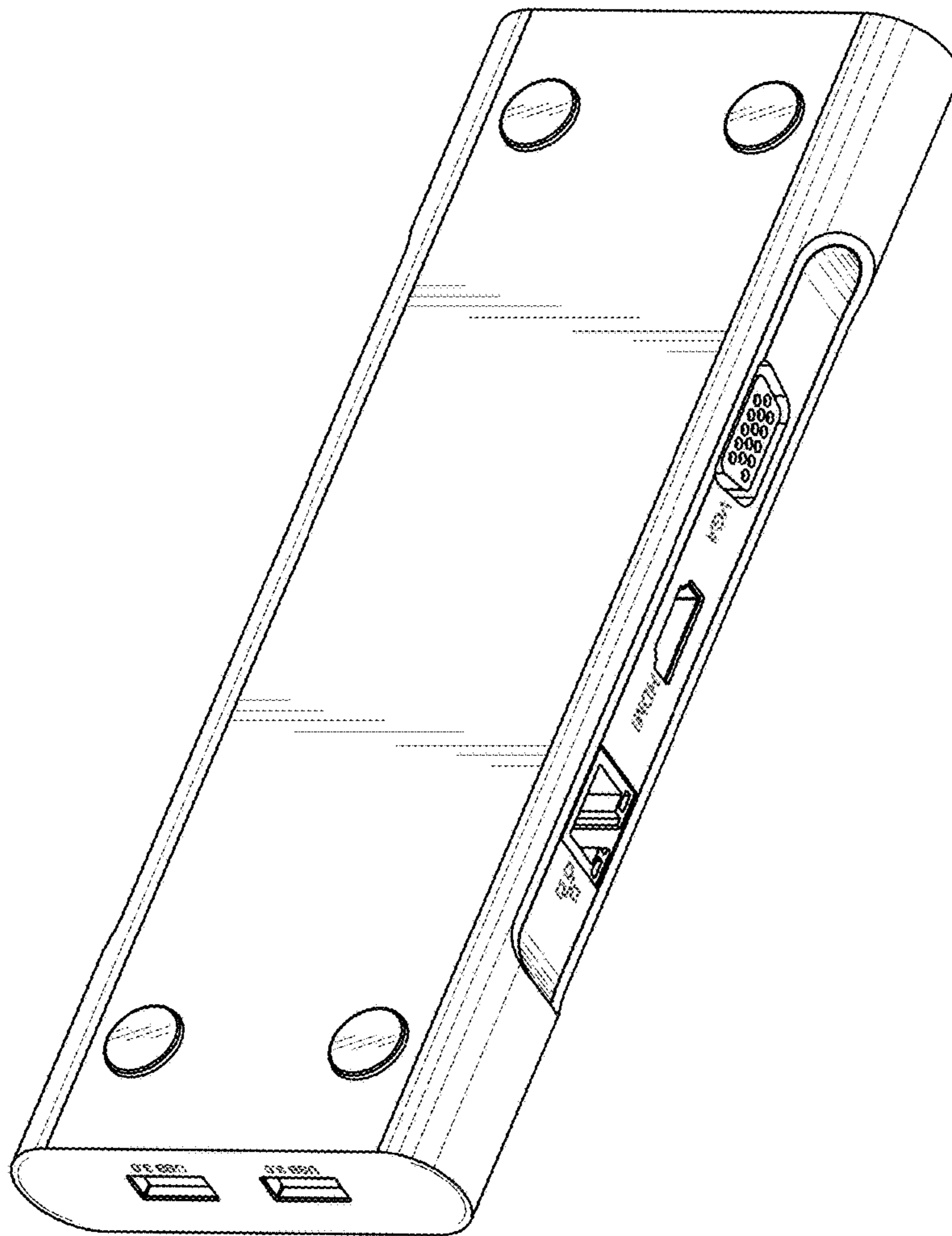


FIG.7