



US00D864207S

(12) **United States Design Patent** (10) **Patent No.:** **US D864,207 S**
Dannoux et al. (45) **Date of Patent:** **** Oct. 22, 2019**

(54) **EXTENDER PORT FOR MAKING OPTICAL CONNECTIONS**

(71) Applicant: **Corning Research & Development Corporation**, Corning, NY (US)

(72) Inventors: **Thierry Luc Alain Dannoux**, Avon (FR); **Felix Scotta**, Savigny le Temple (FR); **Michael Wimmer**, Berlin (DE); **Shane Woody**, Charlotte, NC (US)

(73) Assignee: **Corning Research & Development Corporation**, Corning, NY (US)

(**) Term: **15 Years**

(21) Appl. No.: **29/654,911**

(22) Filed: **Jun. 28, 2018**

(51) **LOC (12) Cl.** **14-02**

(52) **U.S. Cl.**
USPC **D14/433**

(58) **Field of Classification Search**
USPC D14/356, 432-434, 453, 454, 511, 203.8, D14/209.1, 238.1, 240, 125; 439/638, 439/928, 105, 502; 710/303, 304; D13/110, 133, 146, 123, 162
CPC ... H04L 12/2832; H04L 12/2838; G06F 3/00; G06F 5/00; G06F 13/14
See application file for complete search history.

(56) **References Cited**

U.S. PATENT DOCUMENTS

5,600,747 A 2/1997 Yamakawa et al.
D559,848 S * 1/2008 Siu D14/433
D587,269 S * 2/2009 Keeports D14/188

7,753,596 B2 7/2010 Cox
D664,146 S * 7/2012 Hoehn D14/433
D678,286 S * 3/2013 Cheng D14/433
D734,752 S * 7/2015 Chen D14/420
D776,659 S * 1/2017 Hou D14/433
D815,091 S * 4/2018 Nguyen D14/356
D826,942 S * 8/2018 Lu D14/433
2014/0161397 A1 6/2014 Gallegos et al.
2014/0241671 A1 8/2014 Koreeda et al.

FOREIGN PATENT DOCUMENTS

CN 104064903 A 9/2014
JP 2009265208 A 11/2009
JP 05537852 B2 7/2014
JP 05538328 B2 7/2014
WO 2016156610 A1 10/2016

* cited by examiner

Primary Examiner — Randall H Gholson

(74) *Attorney, Agent, or Firm* — Michael E. Carroll, Jr.

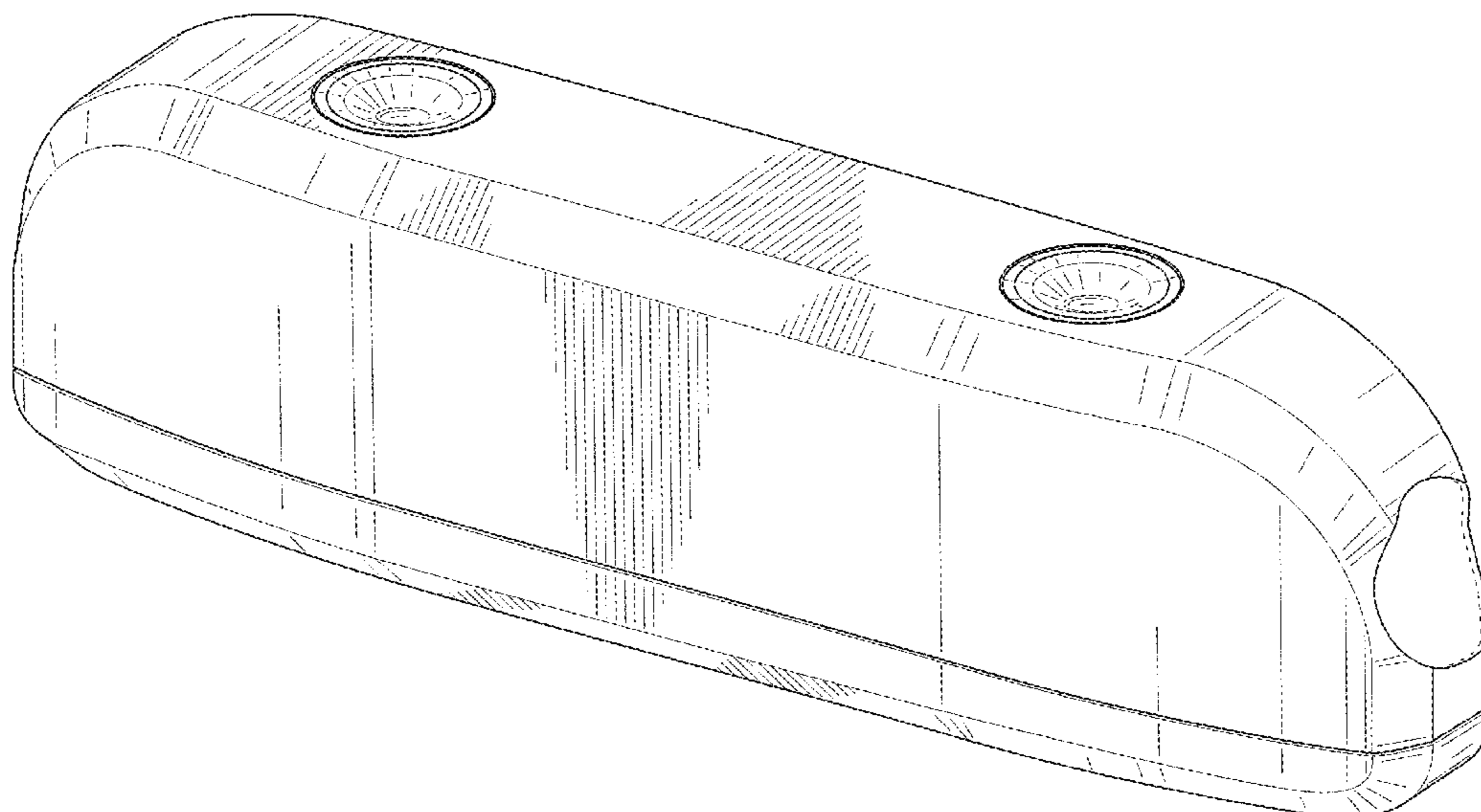
(57) **CLAIM**

The ornamental design for an extender port for making optical connections, as shown and described.

DESCRIPTION

FIG. 1 is a front perspective view of an extender port for making optical connections showing our new design; FIG. 2 is a front view thereof of FIG. 1; FIG. 3 is a rear view thereof of FIG. 1; FIG. 4 is a right side view thereof of FIG. 1; FIG. 5 is a left side view thereof of FIG. 1; FIG. 6 is a top view thereof of FIG. 1; and, FIG. 7 is a bottom view thereof of FIG. 1. In FIGS. 1, 4, 5, and 6, the broken lines represent the bounds of the claim and form no part of the claimed design.

1 Claim, 5 Drawing Sheets



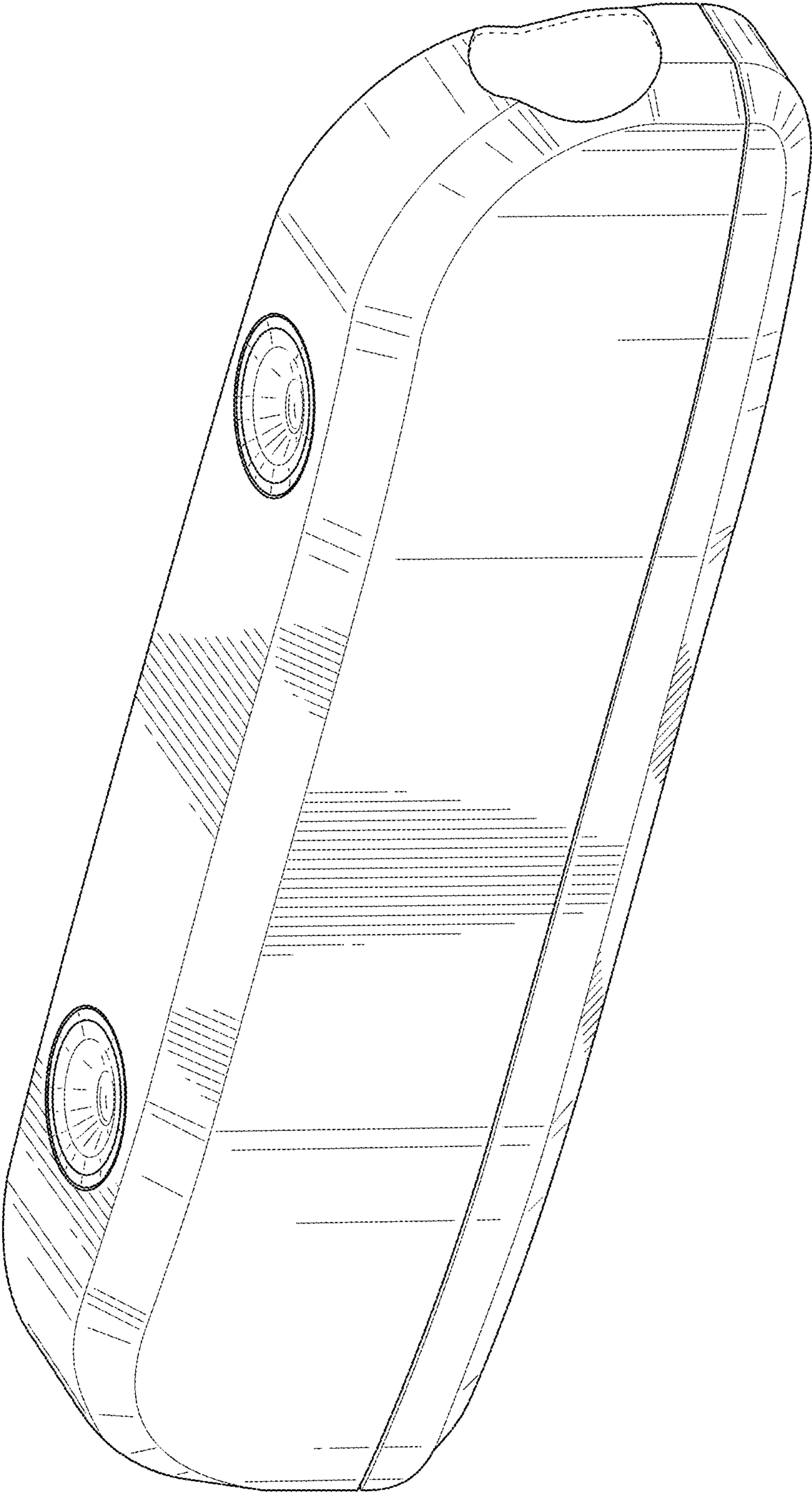


FIG. 1

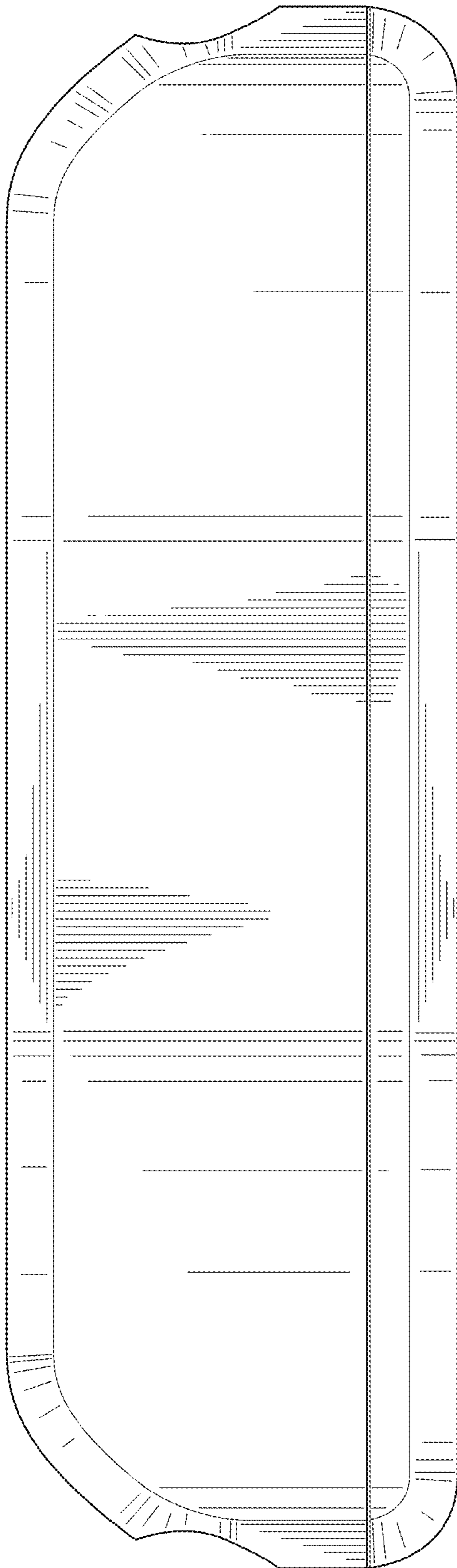


FIG. 2

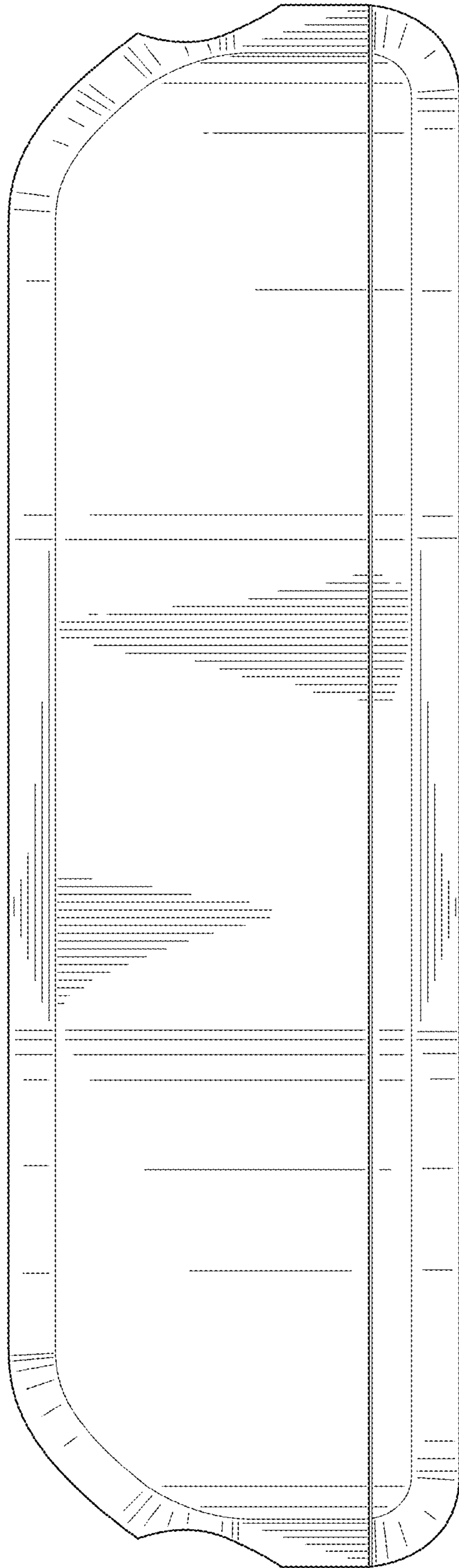


FIG. 3

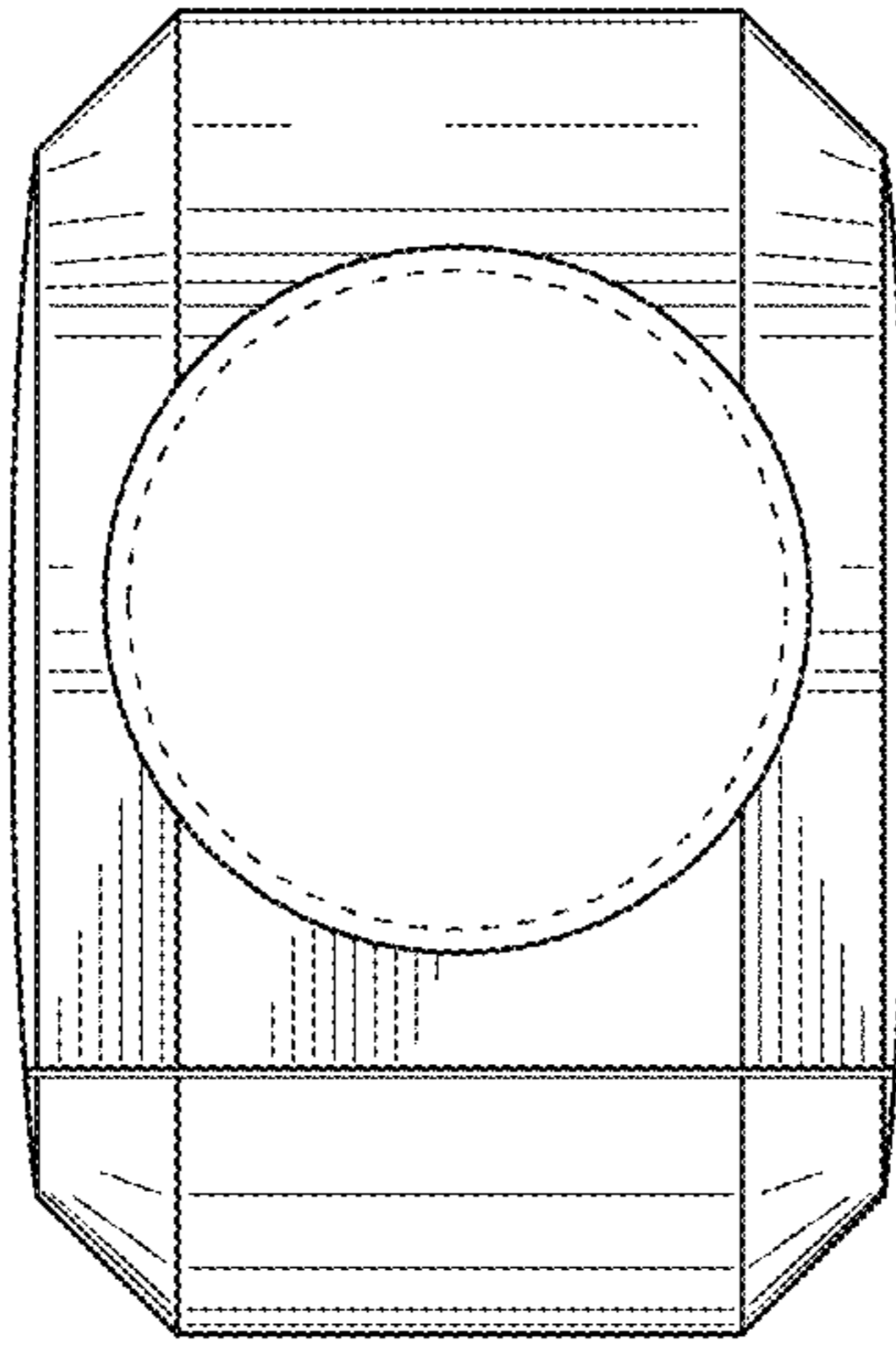


FIG. 4

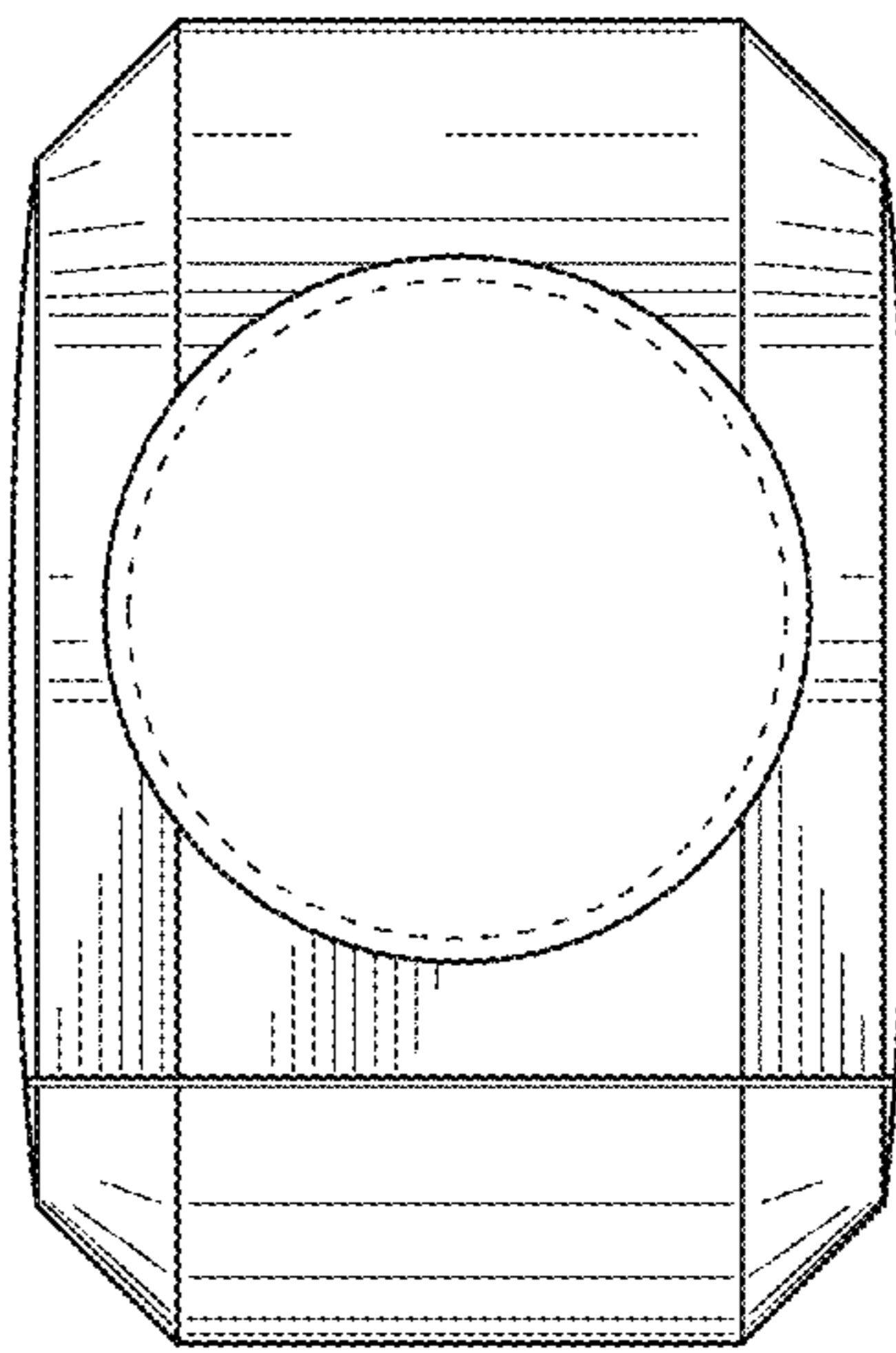


FIG. 5

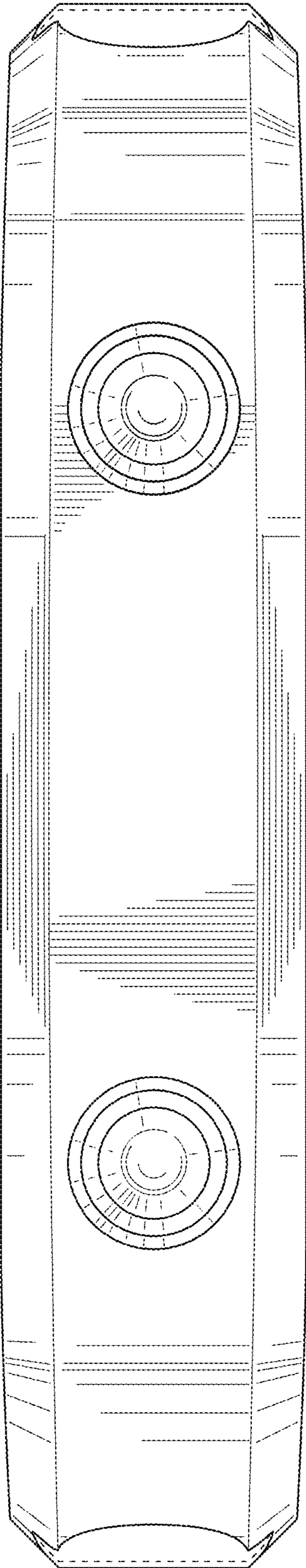


FIG. 6

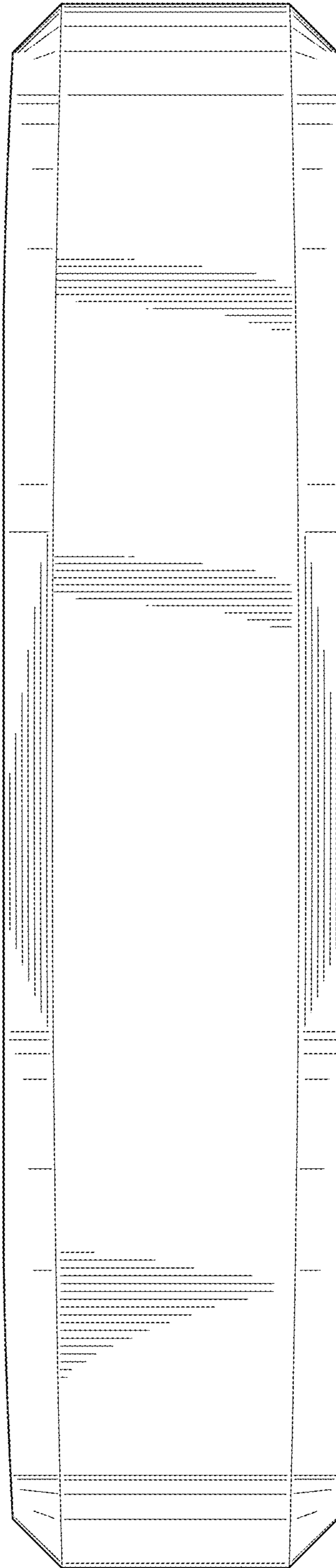


FIG. 7