



US00D864205S

(12) **United States Design Patent**  
**Wang**

(10) **Patent No.:** **US D864,205 S**

(45) **Date of Patent:** **\*\* Oct. 22, 2019**

- (54) **USB TYPE-C HUB**
- (71) Applicant: **Qiang Wang**, Beijing (CN)
- (72) Inventor: **Qiang Wang**, Beijing (CN)
- (73) Assignee: **Shenzhen City Feideyue Technology Co., Ltd**, Shenzhen (CN)
- (\*\*) Term: **15 Years**

D828,355 S *	9/2018	Xie .....	D14/433
D828,356 S *	9/2018	Xie .....	D14/433
D828,839 S *	9/2018	Zhang .....	D14/433
D828,840 S *	9/2018	Zhang .....	D14/433
D828,841 S *	9/2018	Zhang .....	D14/433
D830,366 S *	10/2018	Turksu .....	D14/433
D839,876 S *	2/2019	Turksu .....	D14/435.1
D847,139 S *	4/2019	Wang .....	D14/433
D854,020 S *	7/2019	Liao .....	D14/434
D854,544 S *	7/2019	Liao .....	D14/434
D855,054 S *	7/2019	Turksu .....	D14/433

- (21) Appl. No.: **29/643,043**
- (22) Filed: **Apr. 4, 2018**
- (51) **LOC (12) Cl.** ..... **14-02**
- (52) **U.S. Cl.**  
USPC ..... **D14/433**
- (58) **Field of Classification Search**  
USPC ..... D14/240, 242, 356, 358, 363, 365, 367,  
D14/370, 432-437, 439, 498, 125, 366,  
D14/168, 496; D13/147, 164, 123, 133,  
D13/146, 110, 199, 103, 162, 159, 160,  
D13/184; 361/683, 684, 686, 724, 735,  
361/737, 752; D18/40  
CPC .... H01R 25/006; H01R 27/02; H01R 31/005;  
G06F 13/4022; G06F 13/382; G06F  
1/1632; G06F 1/1684; G06F 1/20; G06F  
1/1607  
See application file for complete search history.

\* cited by examiner

*Primary Examiner* — Austin Murphy

- (56) **References Cited**  
U.S. PATENT DOCUMENTS  
D788,112 S \* 5/2017 Liao ..... D14/433  
D800,730 S \* 10/2017 Liao ..... D14/433

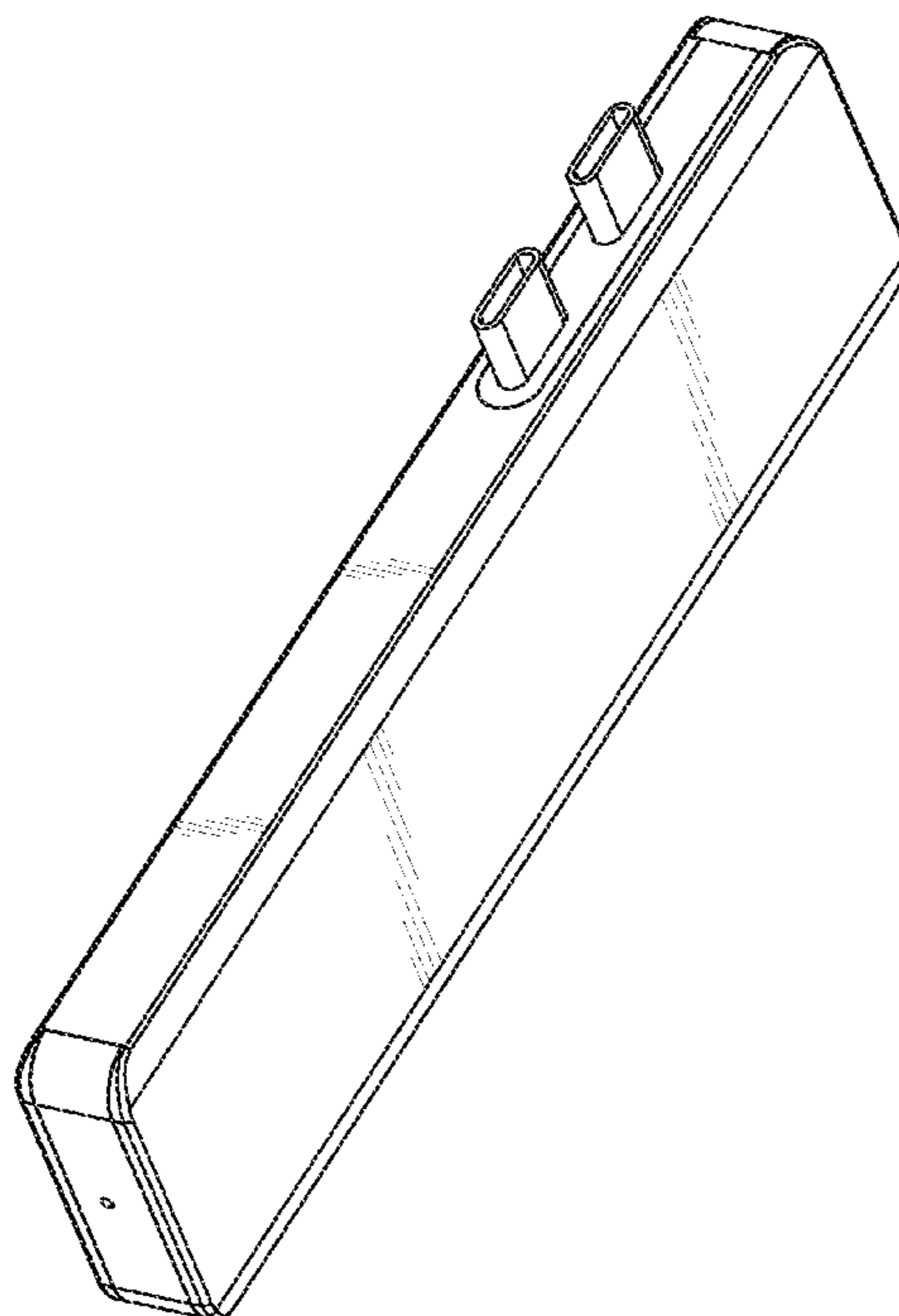
(57) **CLAIM**

The ornamental design for a USB type-c hub, as shown and described.

**DESCRIPTION**

FIG. 1 is a front elevational view of a USB type-c hub showing my new design;  
 FIG. 2 is a rear elevational view thereof;  
 FIG. 3 is a left side elevational view thereof;  
 FIG. 4 is a right side elevational view thereof;  
 FIG. 5 is a top plan view thereof;  
 FIG. 6 is a bottom plan view thereof; and,  
 FIG. 7 is a perspective view thereof.  
 The broken lines depict environment that forms no part of the claimed design.

**1 Claim, 6 Drawing Sheets**



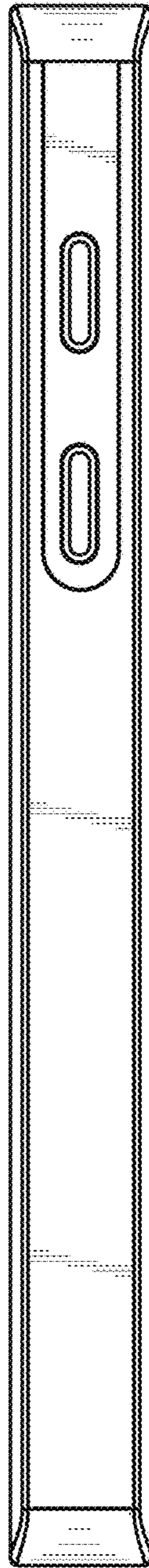


FIG. 1

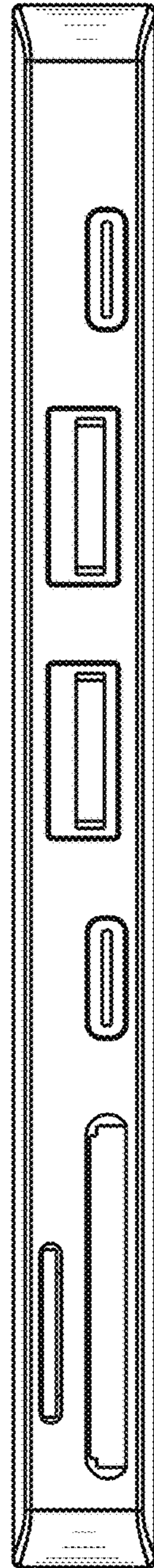


FIG.2

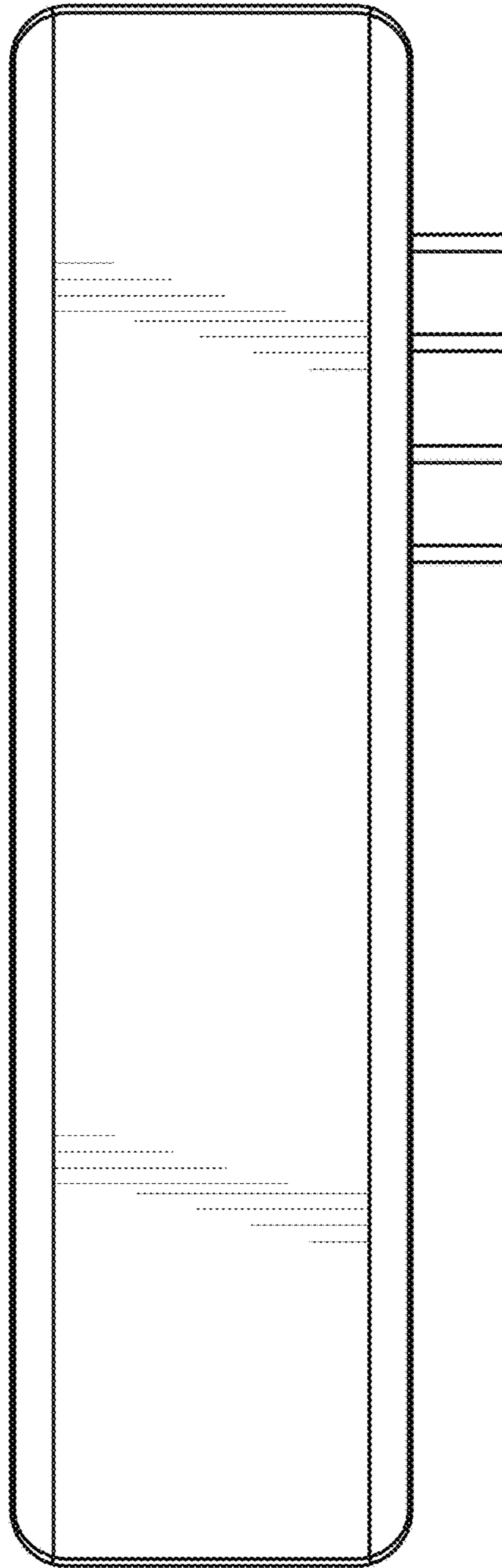


FIG.3

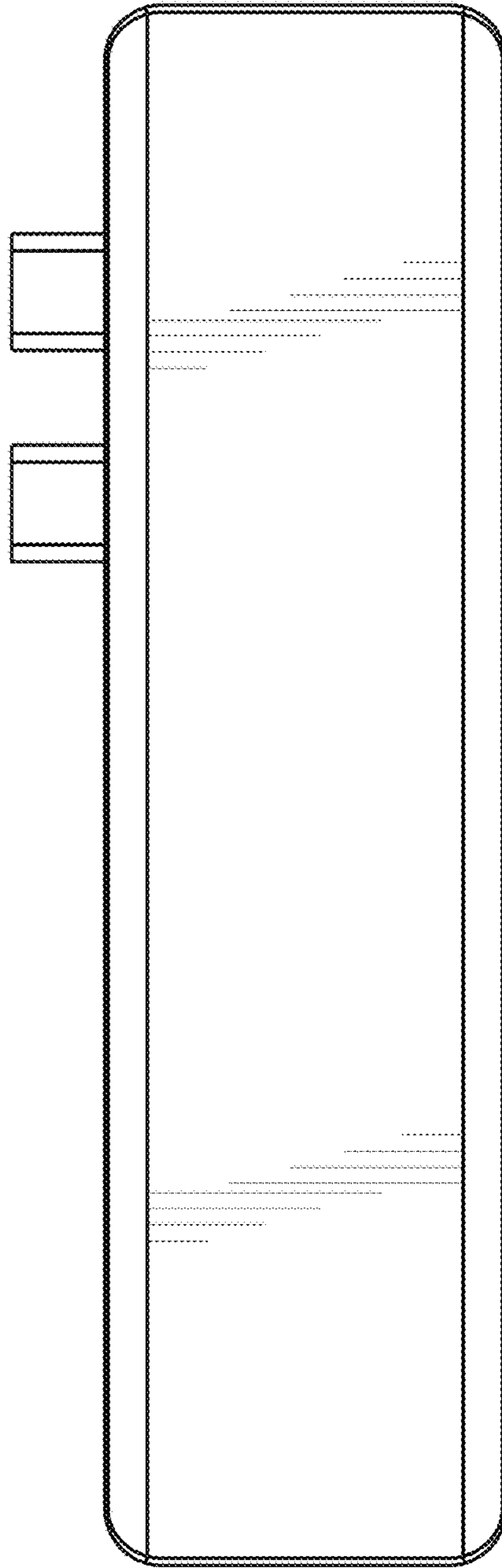


FIG.4

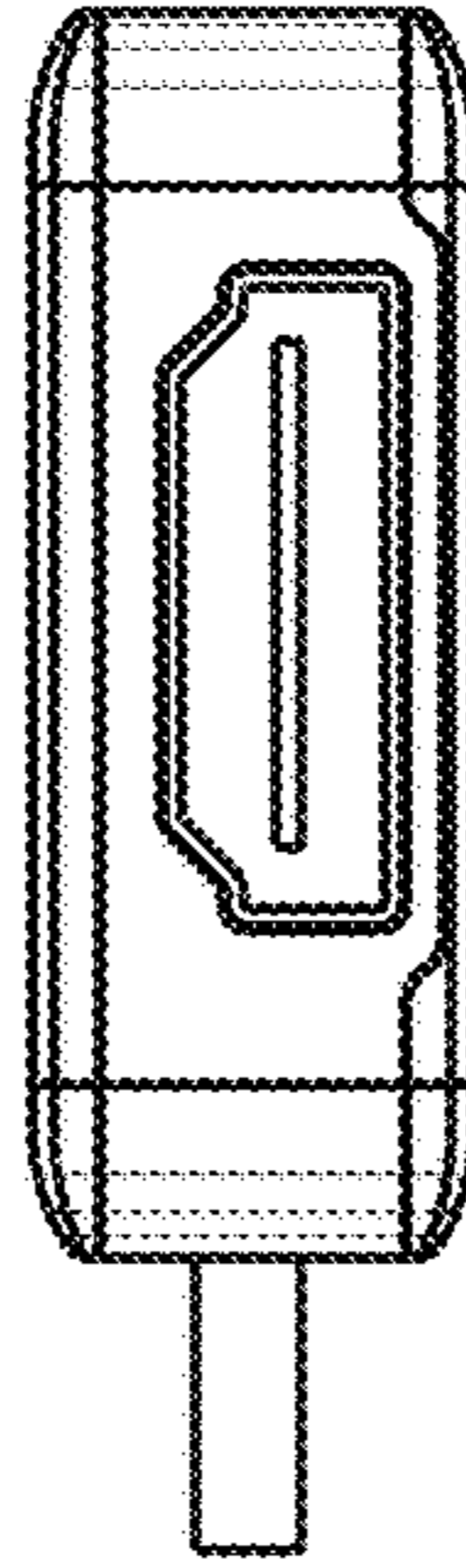


FIG.5

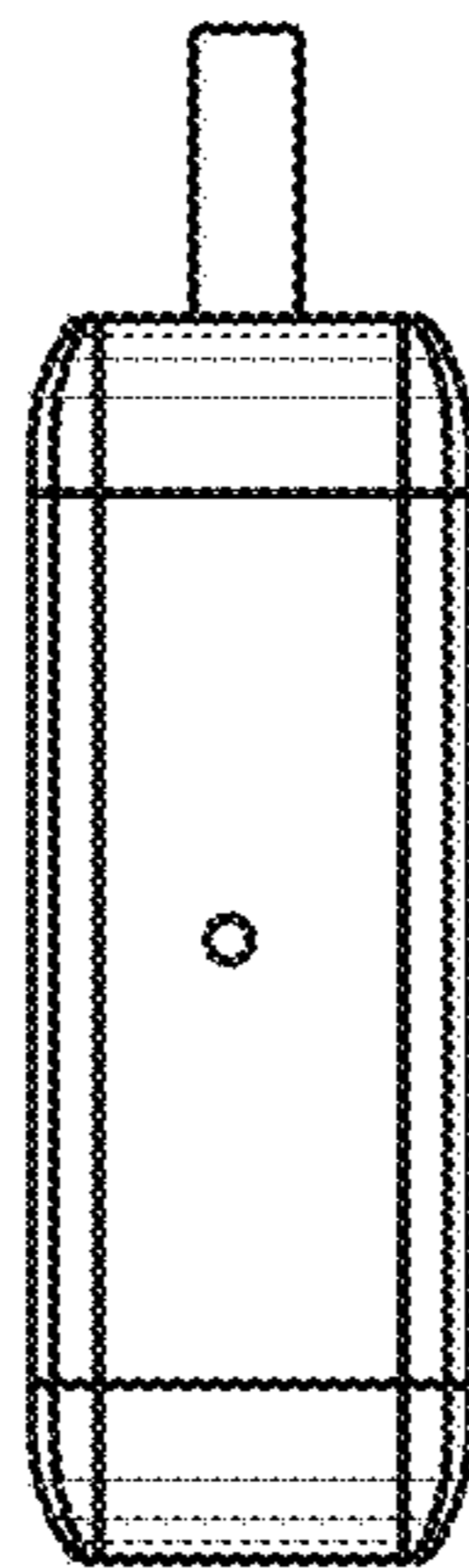


FIG.6

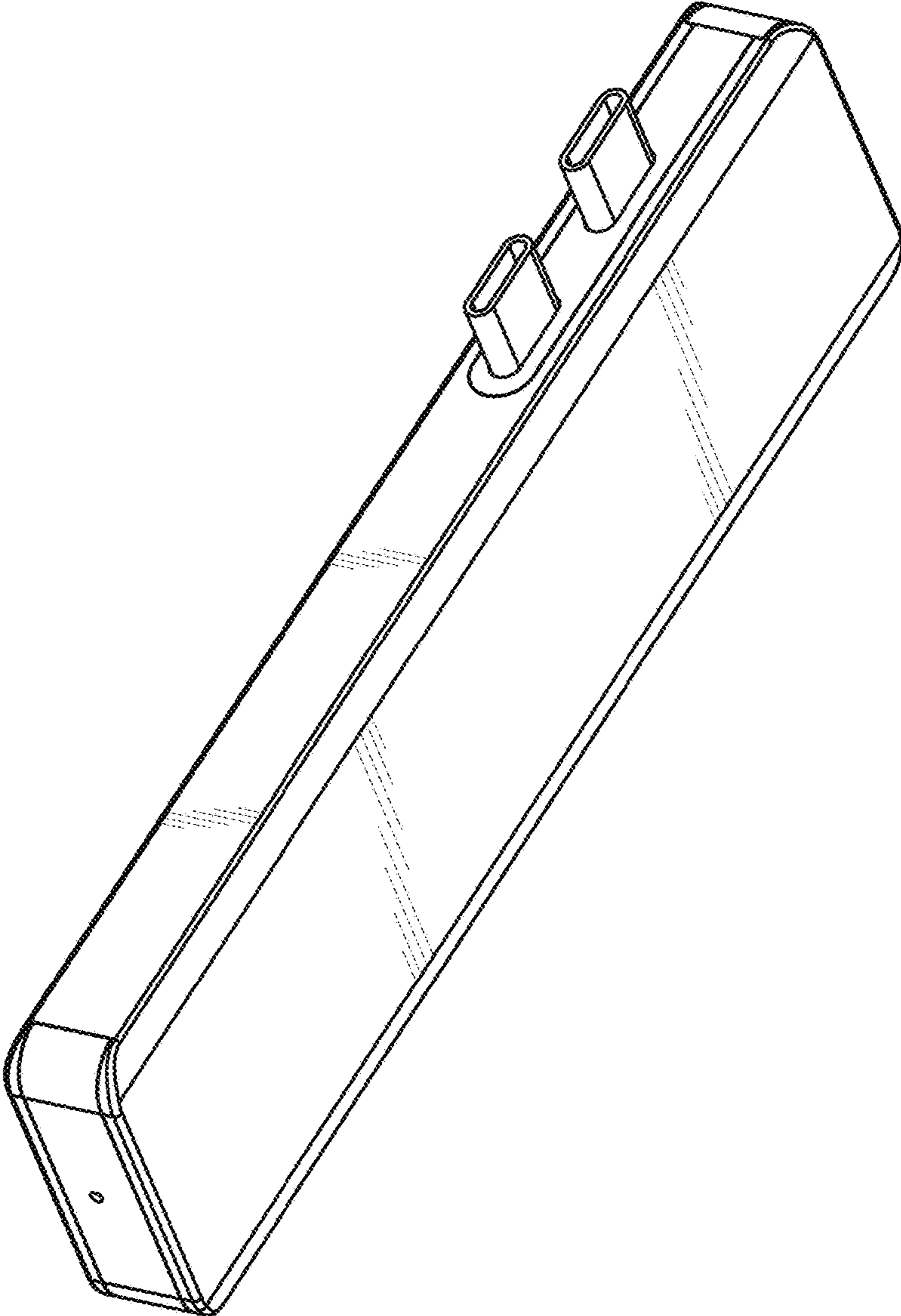


FIG.7