



US00D864204S

(12) **United States Design Patent**  
**Huang**

(10) **Patent No.:** **US D864,204 S**

(45) **Date of Patent:** **\*\* Oct. 22, 2019**

(54) **USB-C SUPERDRIVE**

(71) Applicant: **Shenzhen Yixingjie Technology Co., Ltd.**, Shenzhen (CN)

(72) Inventor: **Liang Huang**, Shenzhen (CN)

(\*\*) Term: **15 Years**

(21) Appl. No.: **29/628,994**

(22) Filed: **Dec. 10, 2017**

(51) **LOC (12) Cl.** ..... **14-02**

(52) **U.S. Cl.**  
USPC ..... **D14/433**

(58) **Field of Classification Search**  
USPC ..... D14/240, 242, 356, 358, 363, 365, 367, D14/370, 432-437, 439, 498, 125, 366, D14/168, 496; D13/147, 164, 123, 133, D13/146, 110, 199, 103, 162, 159, 160, D13/184; 361/683, 684, 686, 724, 735, 361/737, 752; D18/40

CPC .... H01R 25/006; H01R 27/02; H01R 31/005; G06F 13/4022; G06F 13/382; G06F 1/1632; G06F 1/1684; G06F 1/20; G06F 1/1607

See application file for complete search history.

(56) **References Cited**

**U.S. PATENT DOCUMENTS**

D531,190 S \* 10/2006 Lee ..... D14/203.3  
D608,362 S \* 1/2010 Barron ..... D14/424

D624,552 S \* 9/2010 Lee ..... D14/480.5  
D685,383 S \* 7/2013 Anderson ..... D14/480.5  
D702,239 S \* 4/2014 Lee ..... D14/432  
D714,789 S \* 10/2014 Chen ..... D14/432  
D828,354 S \* 9/2018 Chuang ..... D14/433  
D828,356 S \* 9/2018 Xie ..... D14/433  
D829,213 S \* 9/2018 Szeremeta ..... D14/432  
D834,579 S \* 11/2018 Bataillou ..... D14/432  
D847,139 S \* 4/2019 Wang ..... D14/433

\* cited by examiner

*Primary Examiner* — Austin Murphy

(74) *Attorney, Agent, or Firm* — W&K IP

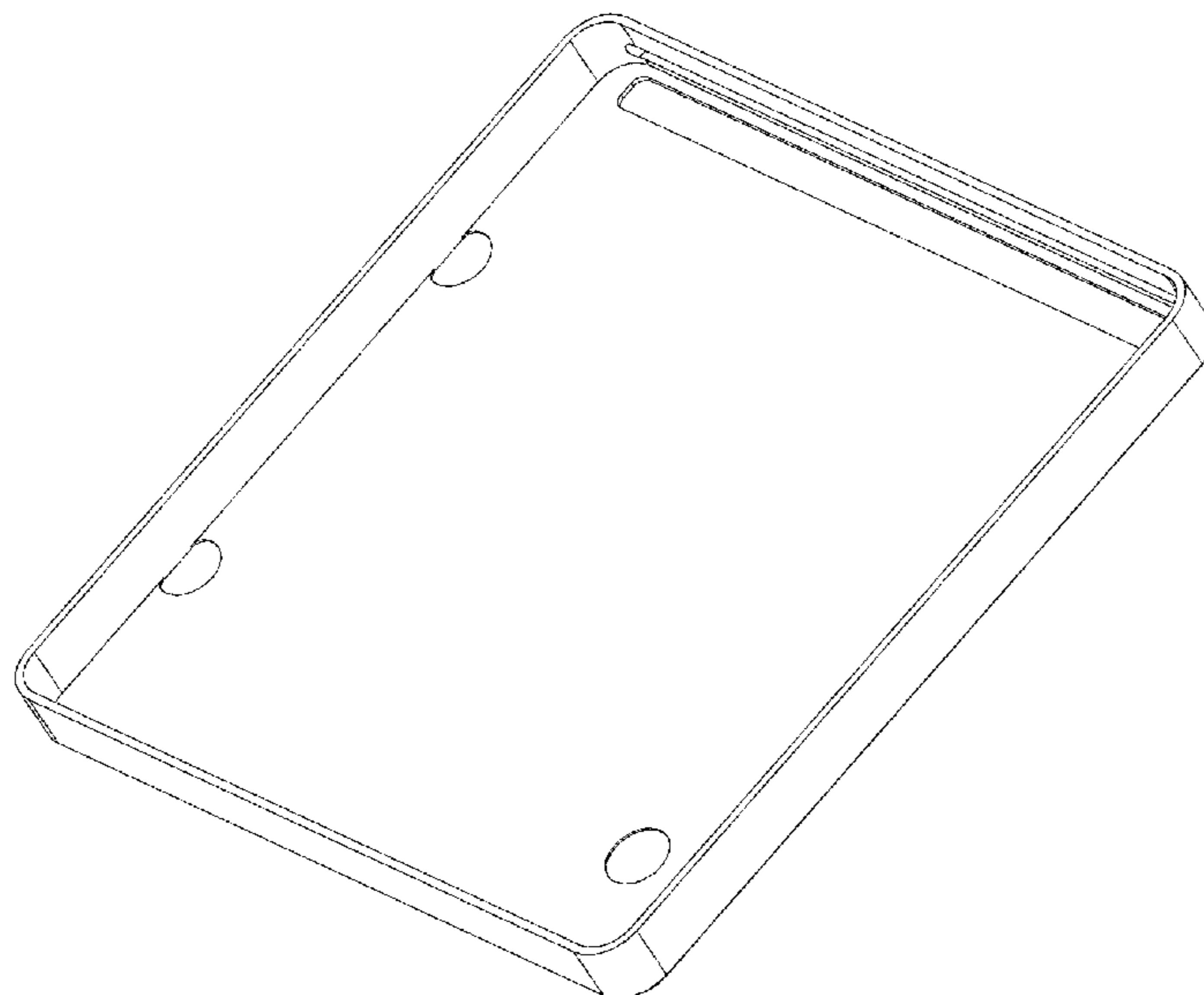
(57) **CLAIM**

The ornamental design for a USB-C superdrive, as shown and described.

**DESCRIPTION**

FIG. 1 is perspective view showing my design;  
FIG. 2 is another perspective view thereof;  
FIG. 3 is a front view thereof;  
FIG. 4 is a back view thereof;  
FIG. 5 is a left side view thereof;  
FIG. 6 is a right side view thereof;  
FIG. 7 is a top plan view thereof; and,  
FIG. 8 is a bottom plan view thereof.

**1 Claim, 8 Drawing Sheets**



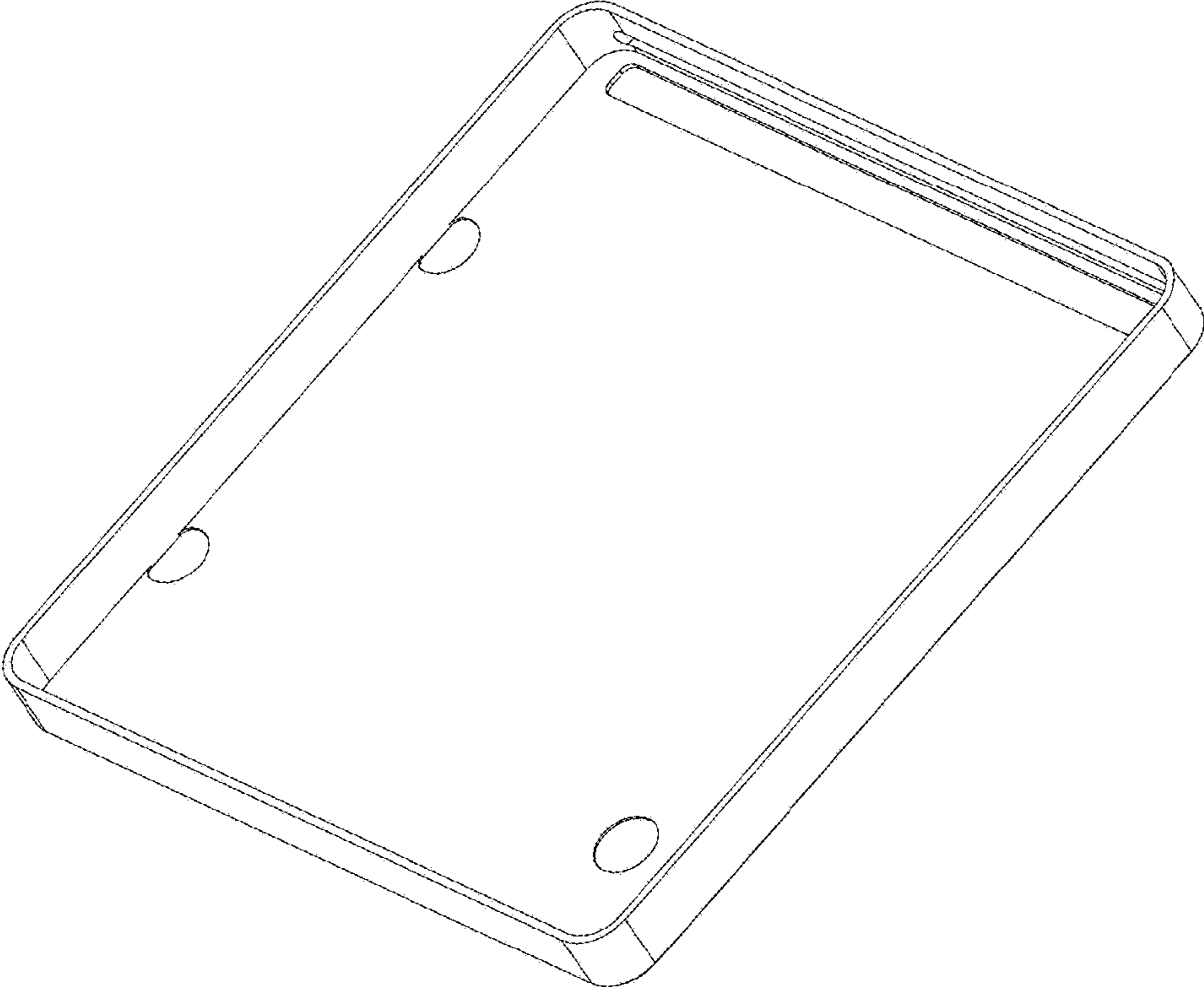


FIG.1

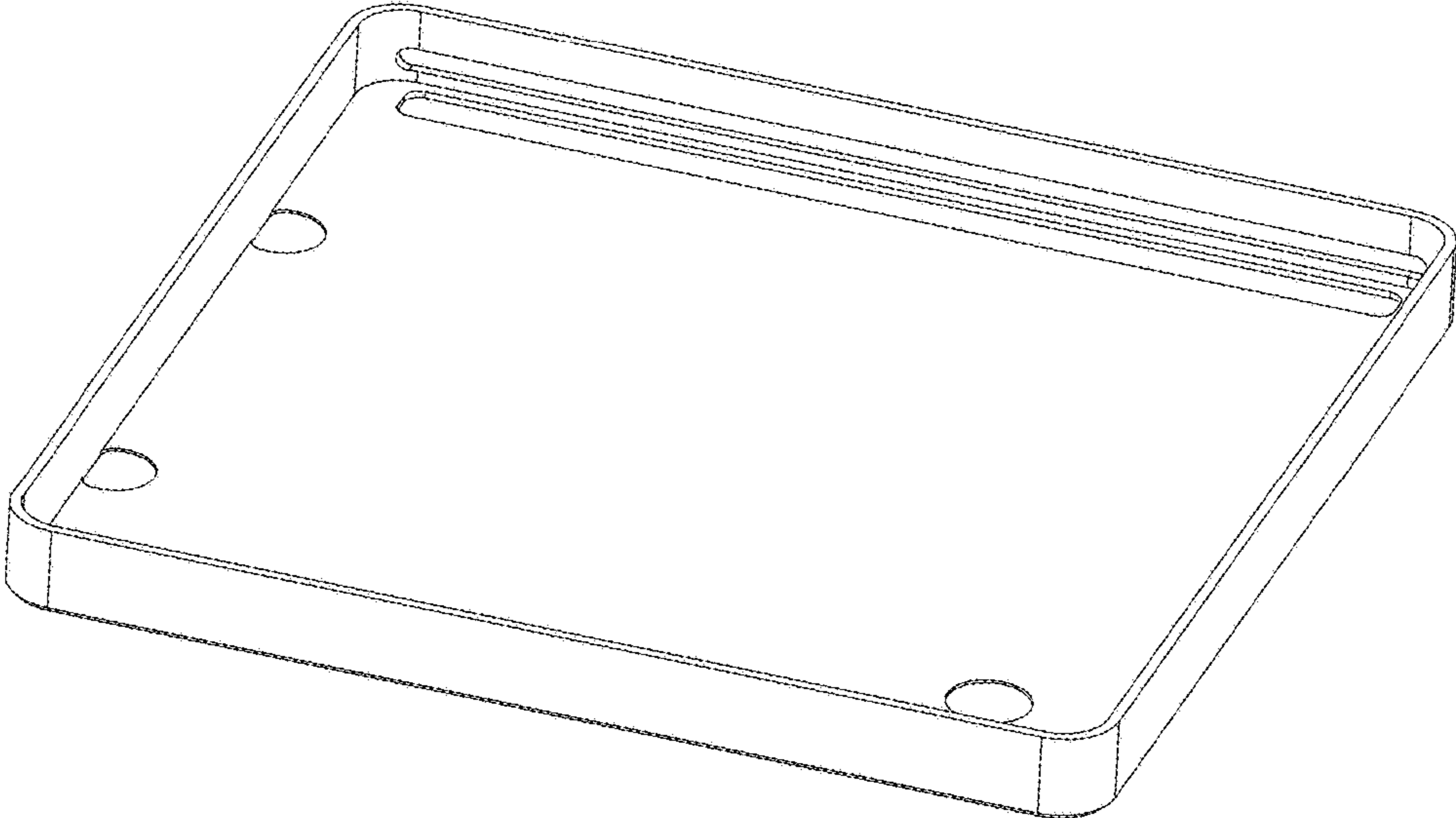


FIG.2

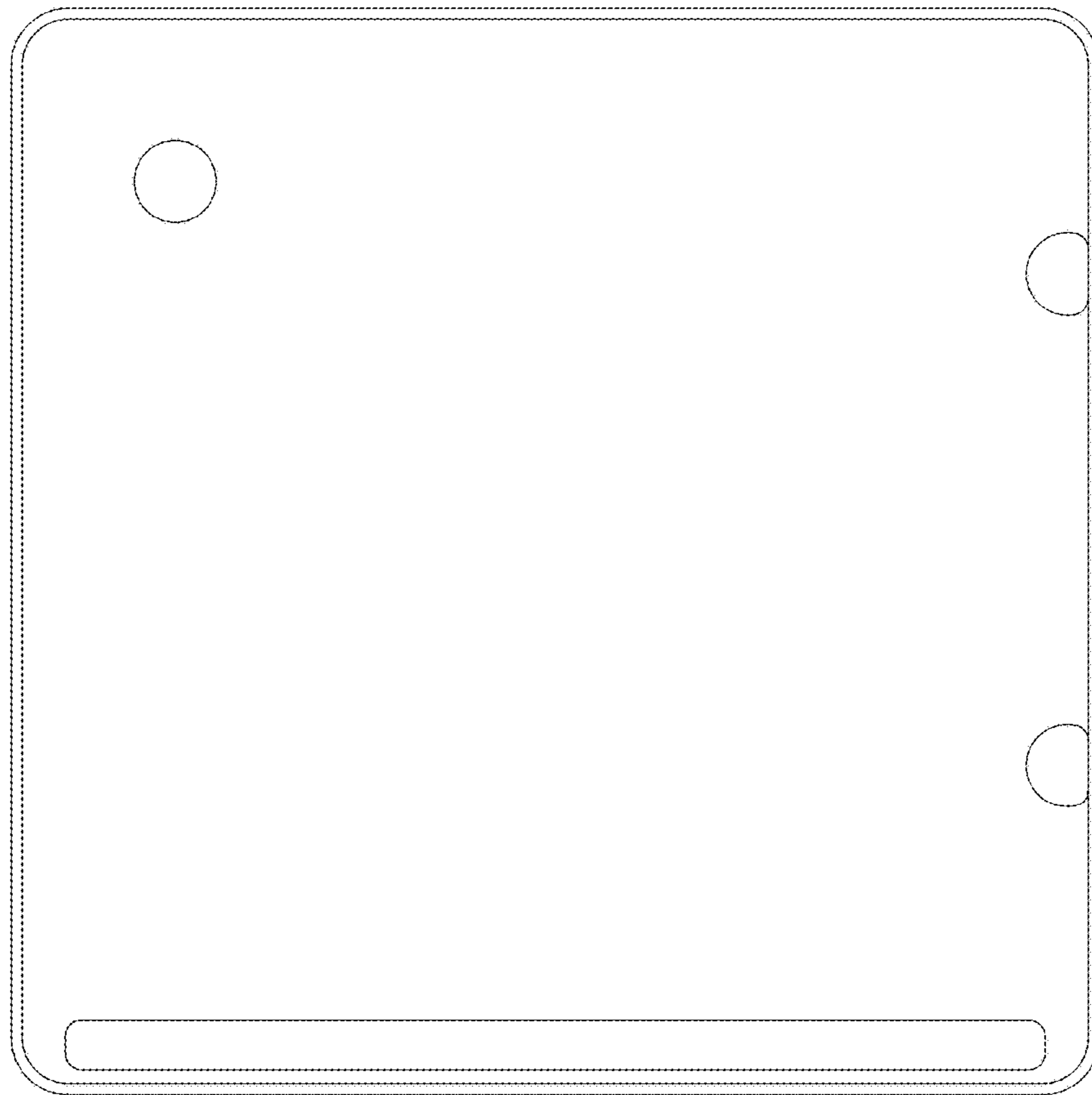


FIG.3

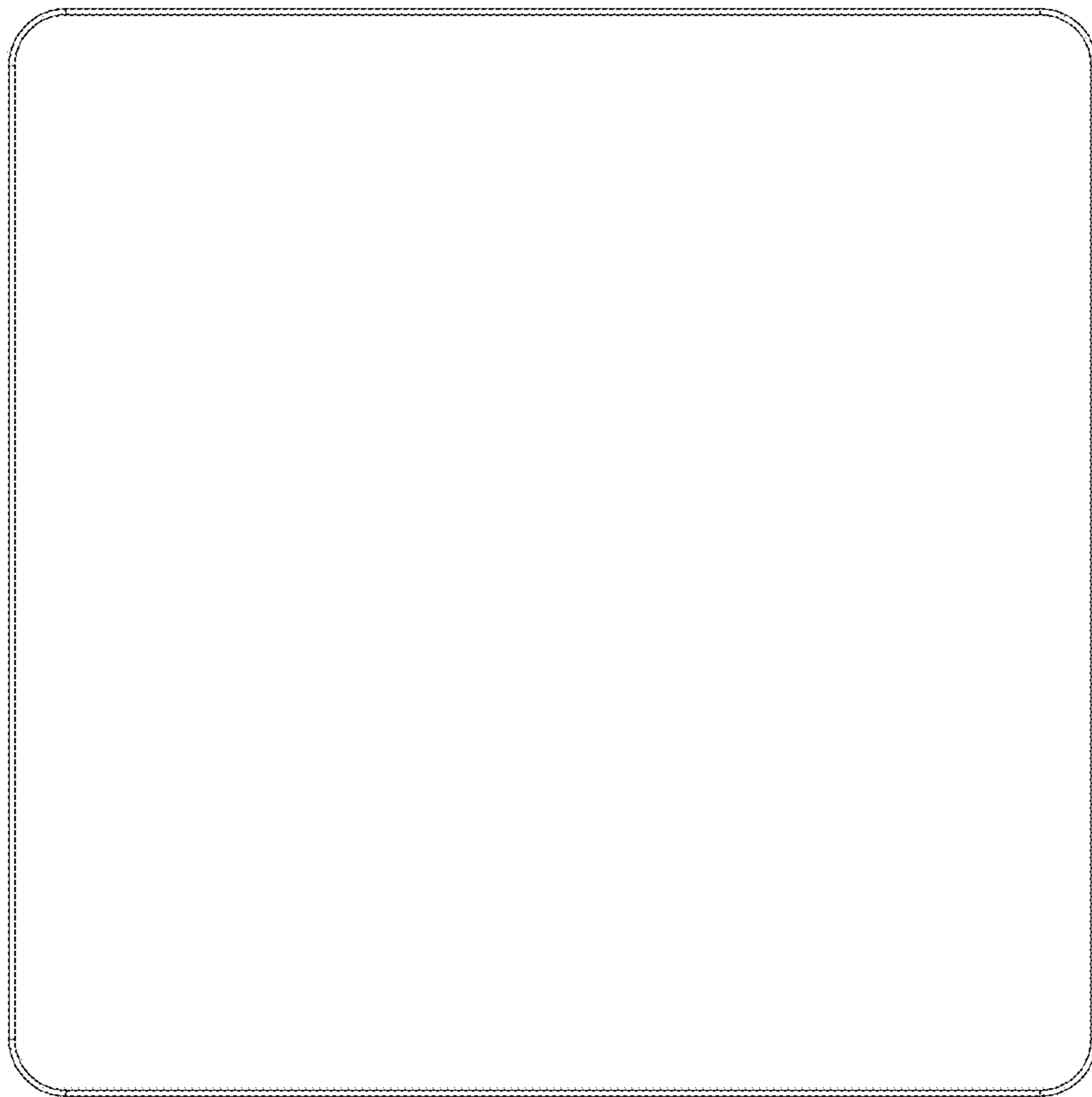


FIG.4



FIG.5

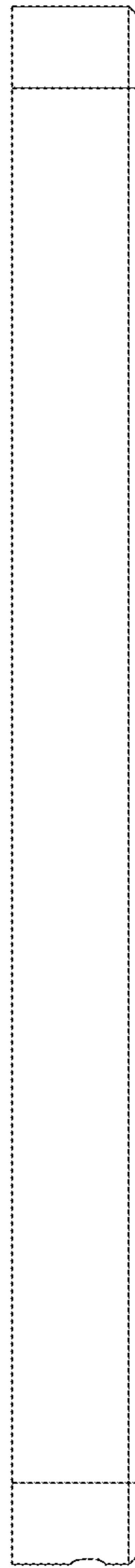


FIG.6

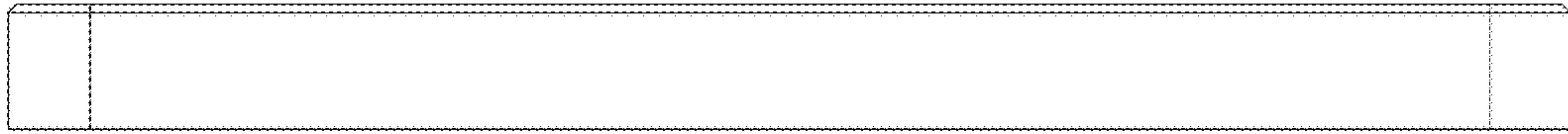


FIG.7



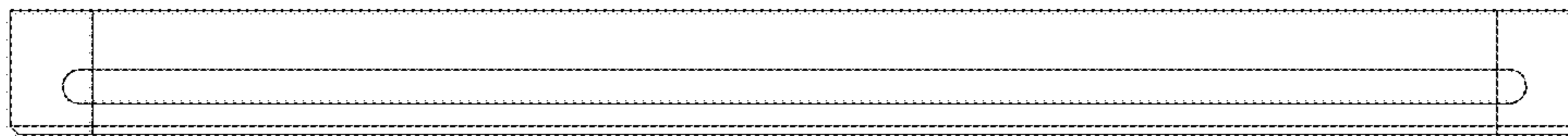


FIG.8