

US00D864203S

(12) **United States Design Patent**
Zhang

(10) **Patent No.:** **US D864,203 S**

(45) **Date of Patent:** **** Oct. 22, 2019**

(54) **KEYBOARD**

(71) Applicant: **Jin Zhang**, Beijing (CN)

(72) Inventor: **Jin Zhang**, Beijing (CN)

(73) Assignee: **Beijing Jingheng Tengwei Kejian Trading Co., Ltd.**, Beijing (CN)

(**) Term: **15 Years**

(21) Appl. No.: **29/615,361**

(22) Filed: **Aug. 29, 2017**

(51) **LOC (12) Cl.** **14-02**

(52) **U.S. Cl.**
USPC **D14/392**

(58) **Field of Classification Search**
USPC D14/315-327, 391-399, 455, 456;
D18/1, 2, 7, 11; 235/145 A, 145 R;
341/22, 23; 345/104, 156, 168, 169, 173;
361/679.08, 679.09, 679.11, 679.26,
361/679.27

CPC G06F 1/16; G06F 1/1616; G06F 1/1626;
G06F 1/1632; G06F 1/1613; G06F
1/1601; G06F 1/1618; G06F 1/162; G06F
3/0221; G06F 3/0216; H01R 35/02;
H03M 11/00; G09B 13/04; H03K 17/94;
G09G 5/00; F16M 11/10; H05K 5/00;
H04M 1/0237; H01H 13/14; H01H 13/84;
B41J 5/00; B41J 5/12; B41J 5/10

See application file for complete search history.

(56) **References Cited**

U.S. PATENT DOCUMENTS

D325,200 S * 4/1992 Riley D14/396
D335,288 S * 5/1993 Francis D14/396
D335,660 S * 5/1993 Busch D14/392
5,653,543 A * 8/1997 Abe G06F 3/0221
361/679.14
D421,976 S * 3/2000 Jobs D14/398

D454,566 S * 3/2002 Andre D14/396
D490,812 S * 6/2004 Andre D14/392
D598,451 S * 8/2009 Andre D14/392
D604,300 S * 11/2009 Andre D14/392
D604,736 S * 11/2009 Andre D14/392
D625,310 S * 10/2010 Andre D14/392
D626,555 S * 11/2010 Huang D14/392
D641,021 S * 7/2011 Andre D14/392
D671,120 S * 11/2012 Kim D14/392
D696,667 S * 12/2013 Helwig D14/392
D724,589 S * 3/2015 Ozolins D14/392
D734,757 S * 7/2015 Myung D14/392
D735,196 S * 7/2015 Son D14/392
D735,719 S * 8/2015 Ozolins D14/392

(Continued)

Primary Examiner — Shannon W Morgan

(57) **CLAIM**

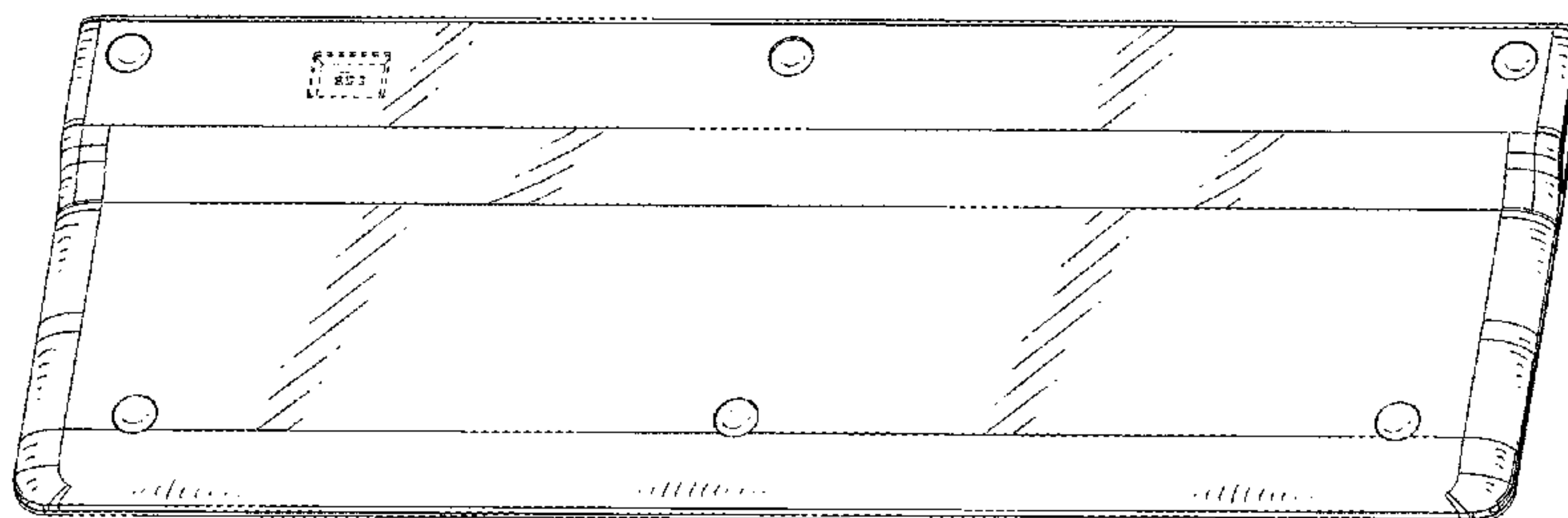
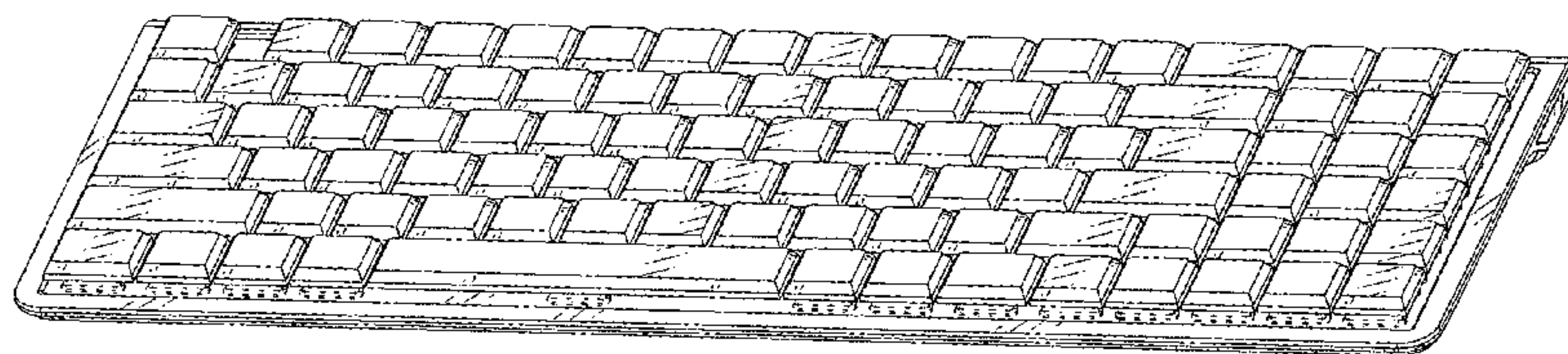
I claim the ornamental design for a keyboard, as shown and described.

DESCRIPTION

FIG. 1 is a perspective view of a keyboard showing my new design;
FIG. 2 is a front elevational view thereof;
FIG. 3 is a rear elevational view thereof;
FIG. 4 is a left side elevational view thereof;
FIG. 5 is a right side elevational view thereof;
FIG. 6 is a top plan view thereof;
FIG. 7 is a bottom plan view thereof;
FIG. 8 is a top perspective view thereof;
FIG. 9 is a rear perspective view thereof;
FIG. 10 is an enlarged partial view taken from rectangle 10 of FIG. 7; and,
FIG. 11 is an enlarged partial view taken from rectangle 11 of FIG. 8.

The evenly-spaced broken lines shown in the drawings depict portions of the keyboard, and the dash-dot broken lines indicate enlargements. The broken lines form no part of the claimed design.

1 Claim, 8 Drawing Sheets



(56)

References Cited

U.S. PATENT DOCUMENTS

D735,720 S *	8/2015	Ozolins	D14/392
D745,521 S *	12/2015	Jiang	D14/392
D760,226 S *	6/2016	Bailey	D14/392
D776,114 S *	1/2017	Akana	D14/392
D790,544 S *	6/2017	Chen	D14/392
D798,299 S *	9/2017	Raken	D14/392
2012/0039650 A1 *	2/2012	Cvek	G06F 3/021 400/472
2012/0170306 A1 *	7/2012	Yao	G06F 3/0202 362/602
2015/0027869 A1 *	1/2015	Smith	H01H 13/85 200/5 A

* cited by examiner

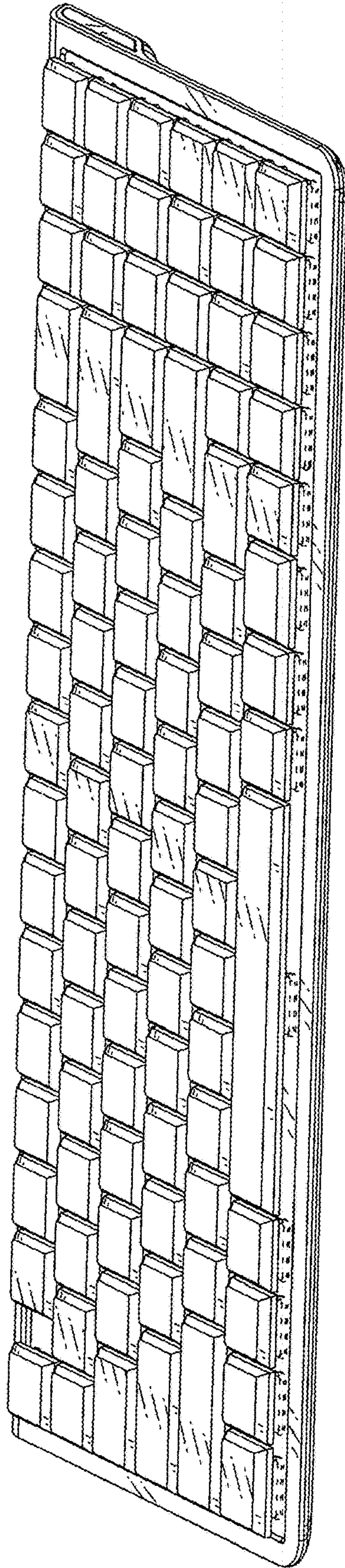


Fig.1

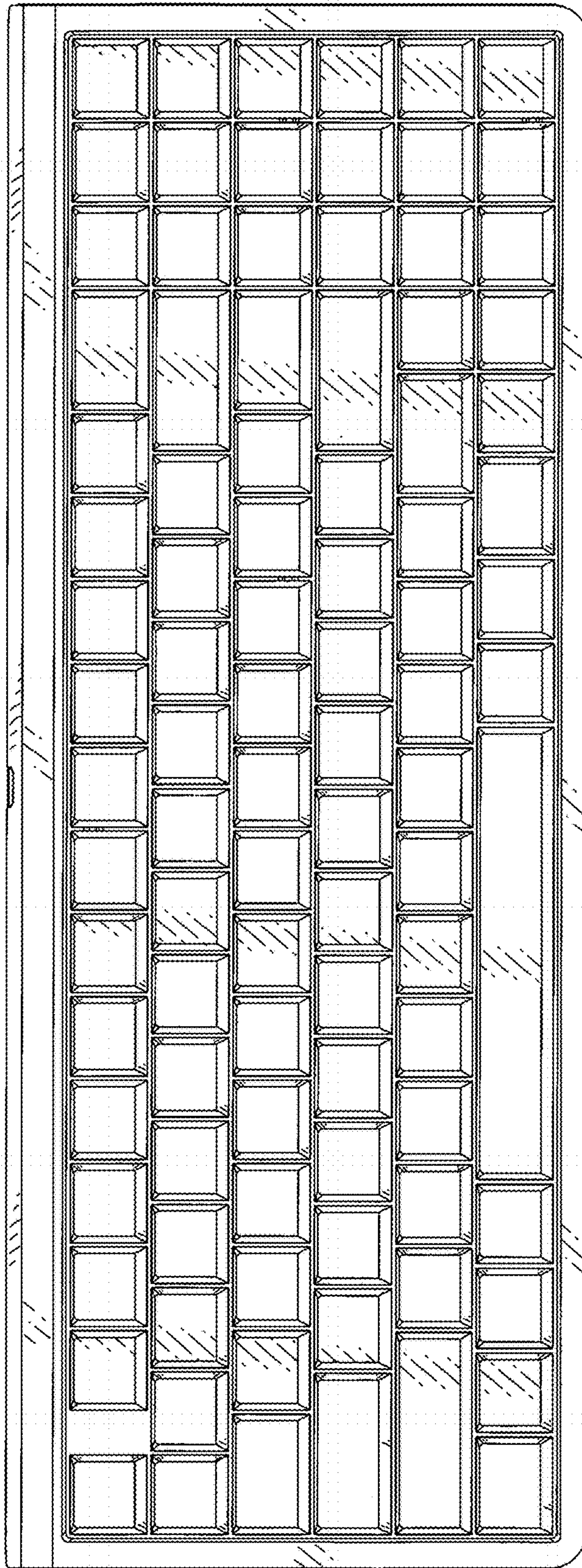


Fig. 2

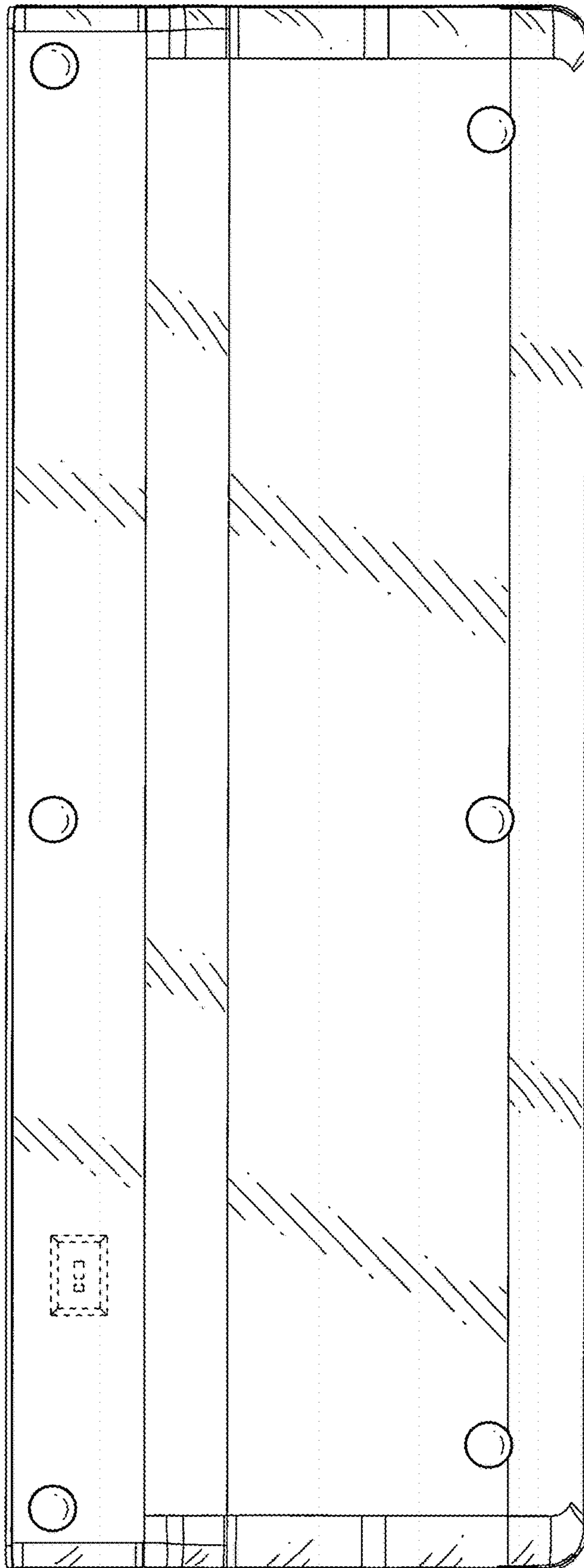


Fig.3

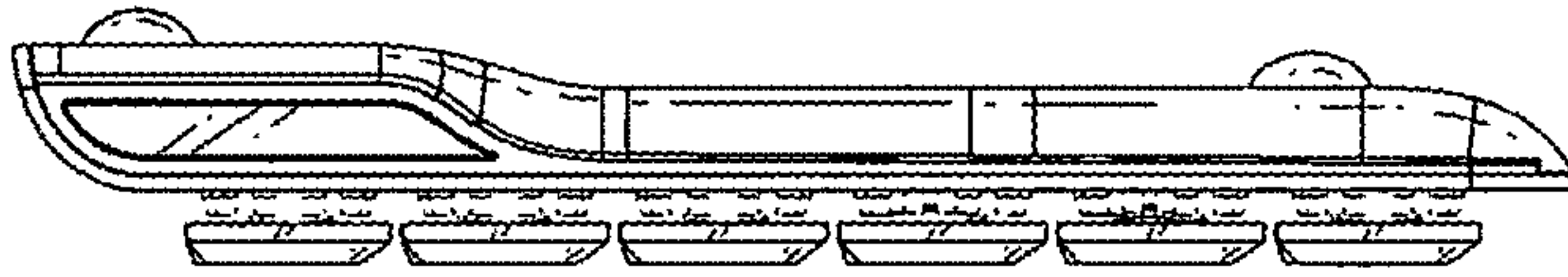


Fig.5

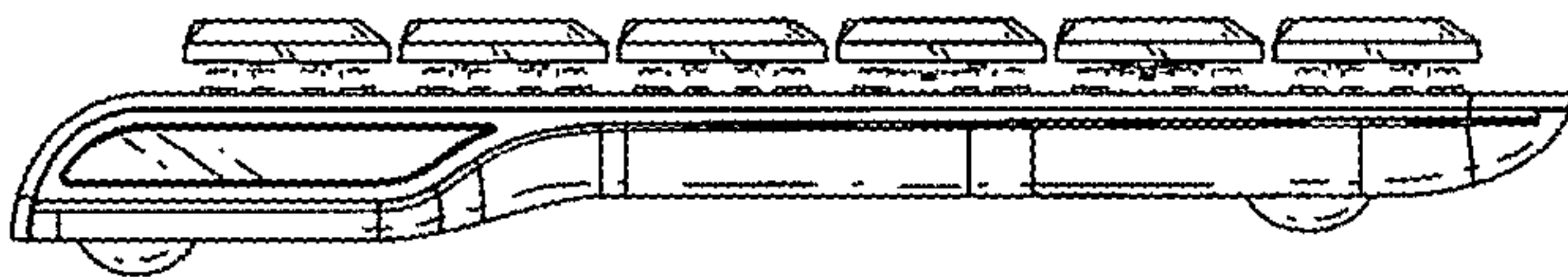


Fig.4



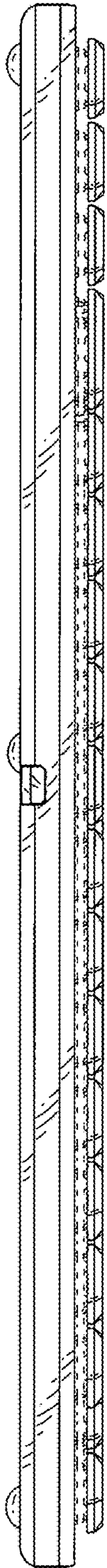


Fig.6

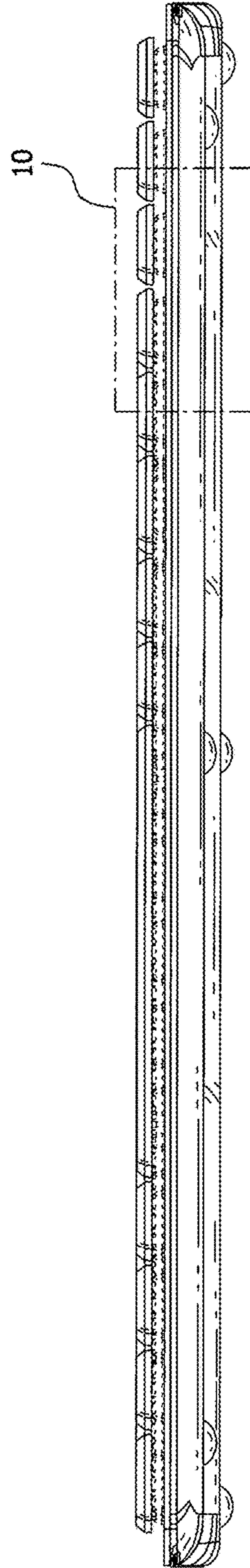


Fig.7

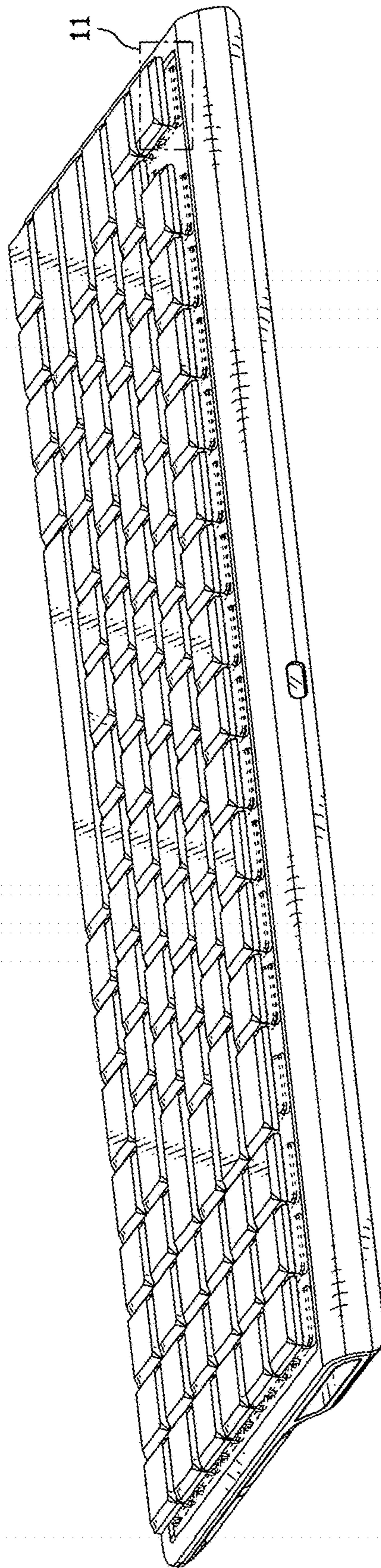


Fig. 8

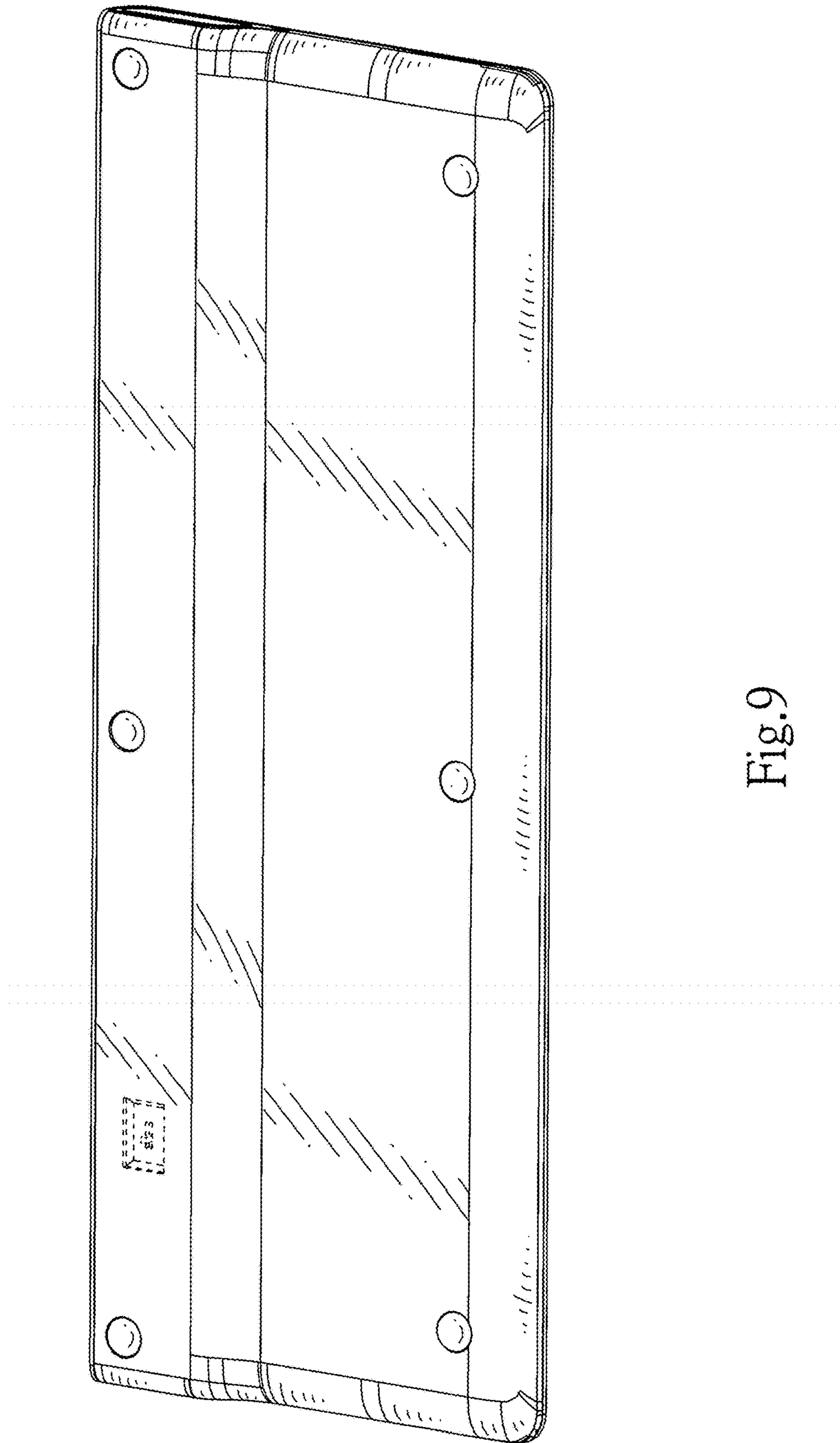


Fig.9

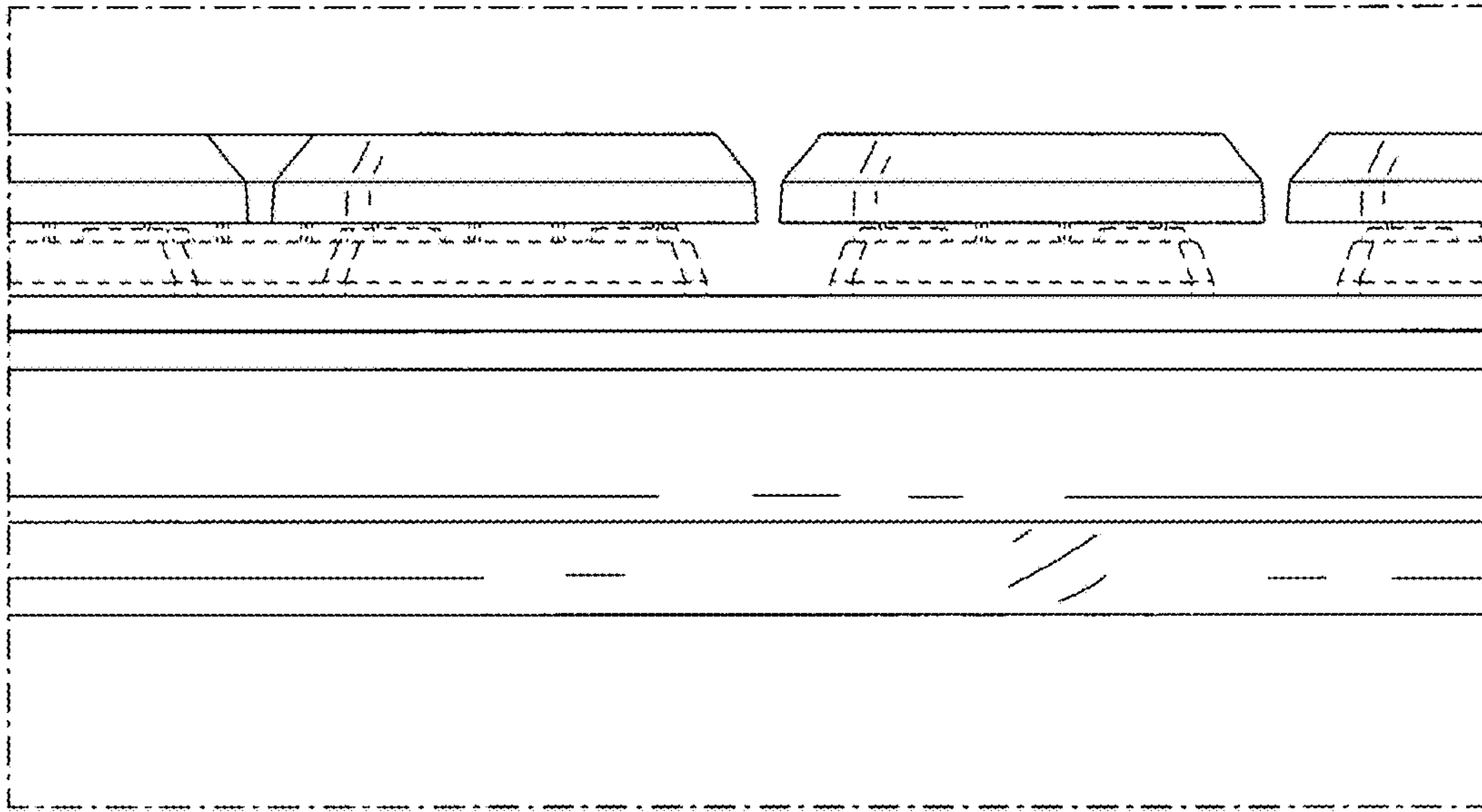


Fig.10

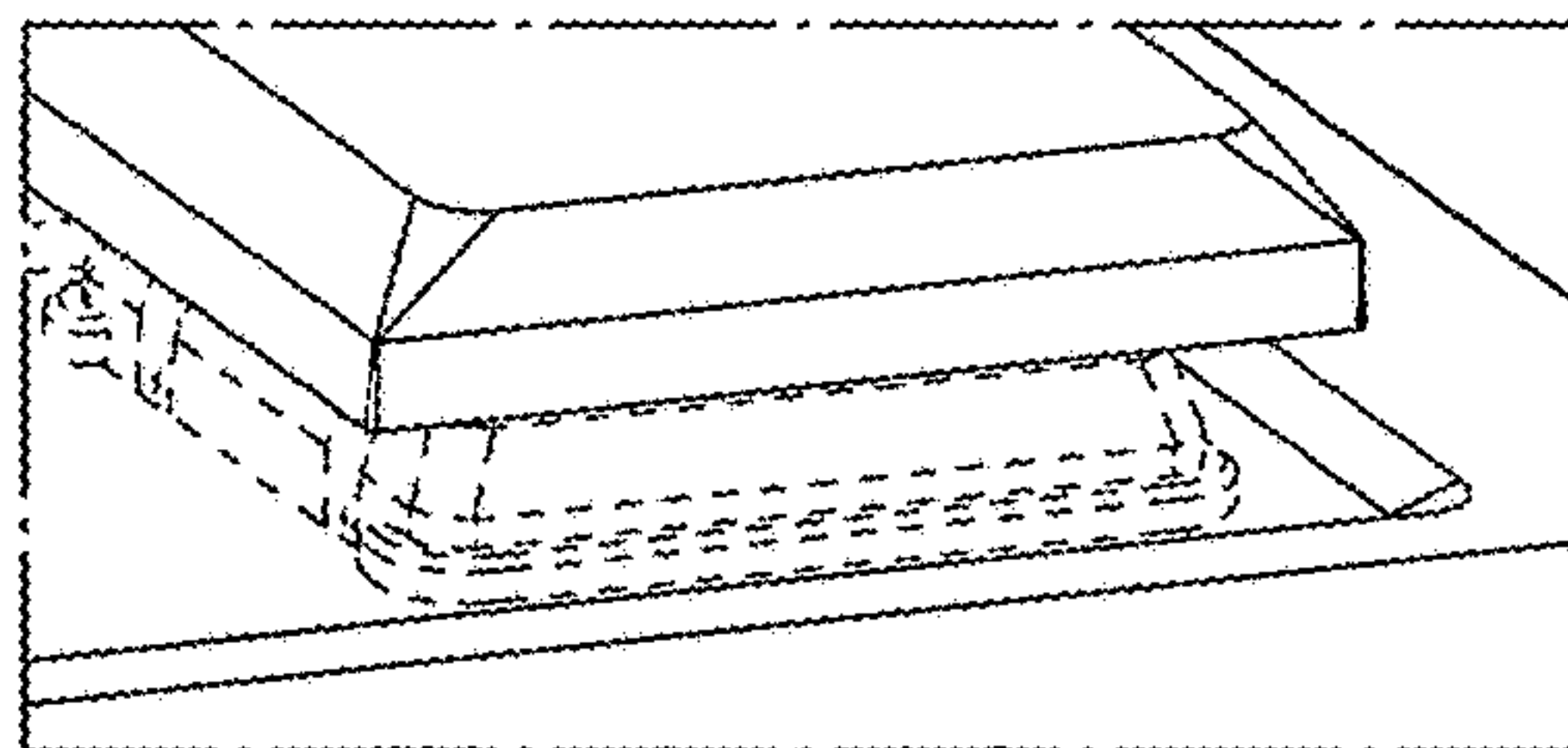


Fig.11