



US00D864202S

(12) **United States Design Patent**
Mitchell

(10) **Patent No.:** **US D864,202 S**
(45) **Date of Patent:** **** Oct. 22, 2019**

(54) **COORDINATE INPUT DEVICE**

- (71) Applicant: **Wacom Co., Ltd.**, Kazo-shi, Saitama (JP)
- (72) Inventor: **Giles Thomas Mitchell**, Tokyo (JP)
- (73) Assignee: **Wacom Co., Ltd.**, Kazo-shi (JP)
- (**) Term: **15 Years**
- (21) Appl. No.: **29/687,747**
- (22) Filed: **Apr. 15, 2019**

Related U.S. Application Data

- (62) Division of application No. 29/635,846, filed on Feb. 2, 2018.

(30) **Foreign Application Priority Data**

- Aug. 2, 2017 (JP) 2017-016703
- Aug. 2, 2017 (JP) 2017-016704

- (51) **LOC (12) Cl.** **14-02**

- (52) **U.S. Cl.**
USPC **D14/389**; D14/390

- (58) **Field of Classification Search**
USPC D14/388, 389, 390, 318, 341, 342, 346,
D14/356, 130, 217, 218, 454, 455, 299,
(Continued)

(56) **References Cited**

U.S. PATENT DOCUMENTS

- D251,496 S 4/1979 Frelander
 - D283,404 S 4/1986 Heiler et al.
- (Continued)

FOREIGN PATENT DOCUMENTS

- JP D1267831 S 4/2006
- KR D3009049120000 S 4/2017

OTHER PUBLICATIONS

Coordinate input (Design © Questel) orbit.com [online PDF], print date Sep. 28, 2018, <<https://sobjprd.questel.fr/export/QPTUJ214/pdf/276156c6-27dc-421b-8ded-01887c76f059-011137.pdf>> [retrieved Oct. 22, 2018], 11 pages.

Primary Examiner — Marie D. Fast Horse

(74) *Attorney, Agent, or Firm* — Christensen O'Connor Johnson Kindness PLLC

(57) **CLAIM**

The ornamental design for a coordinate input device, as shown and described.

DESCRIPTION

FIG. 1 is a front-bottom-right perspective view of a first representative embodiment of a coordinate input device according to my new design;
 FIG. 2 is a rear-top-left perspective view thereof;
 FIG. 3 is a bottom plan view thereof;
 FIG. 4 is a top plan view thereof;
 FIG. 5 is a left side elevational view thereof, wherein the right side elevational view is a mirror image of the left side elevational view;
 FIG. 6 is a front elevational view thereof;
 FIG. 7 is a rear elevational view thereof;
 FIG. 8 is a front-bottom-right perspective view of a second representative embodiment of a coordinate input device according to my new design;
 FIG. 9 is a rear-top-left perspective view thereof;
 FIG. 10 is a bottom plan view thereof;
 FIG. 11 is a top plan view thereof;
 FIG. 12 is a left side elevational view thereof, wherein the right side elevational view is a mirror image of the left side elevational view;
 FIG. 13 is a front elevational view thereof;
 FIG. 14 is a rear elevational view thereof;
 FIG. 15 is a front-bottom-right perspective view of a third representative embodiment of a coordinate input device according to my new design;
 FIG. 16 is a rear-top-left perspective view thereof;
 FIG. 17 is a bottom plan view thereof;

(Continued)

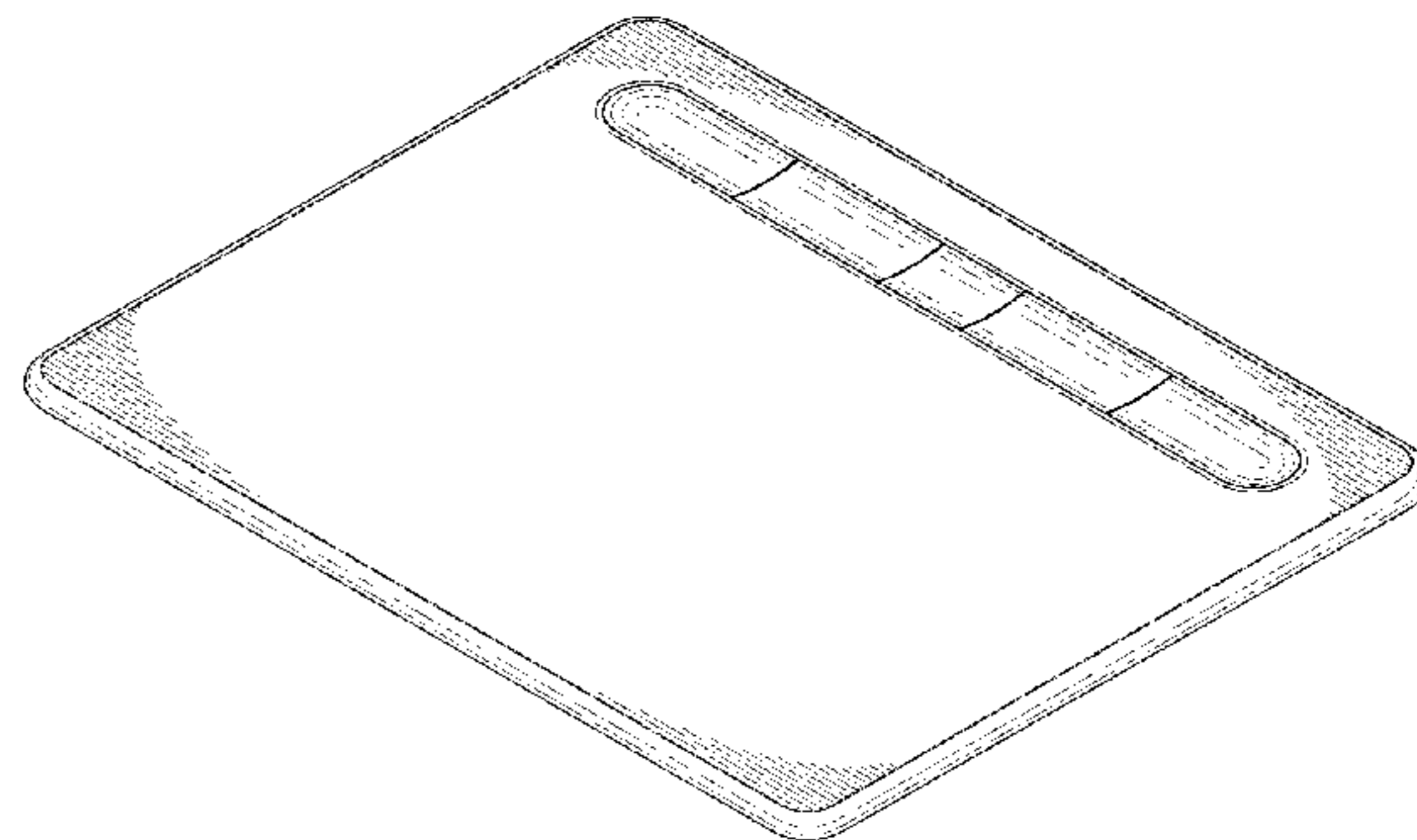
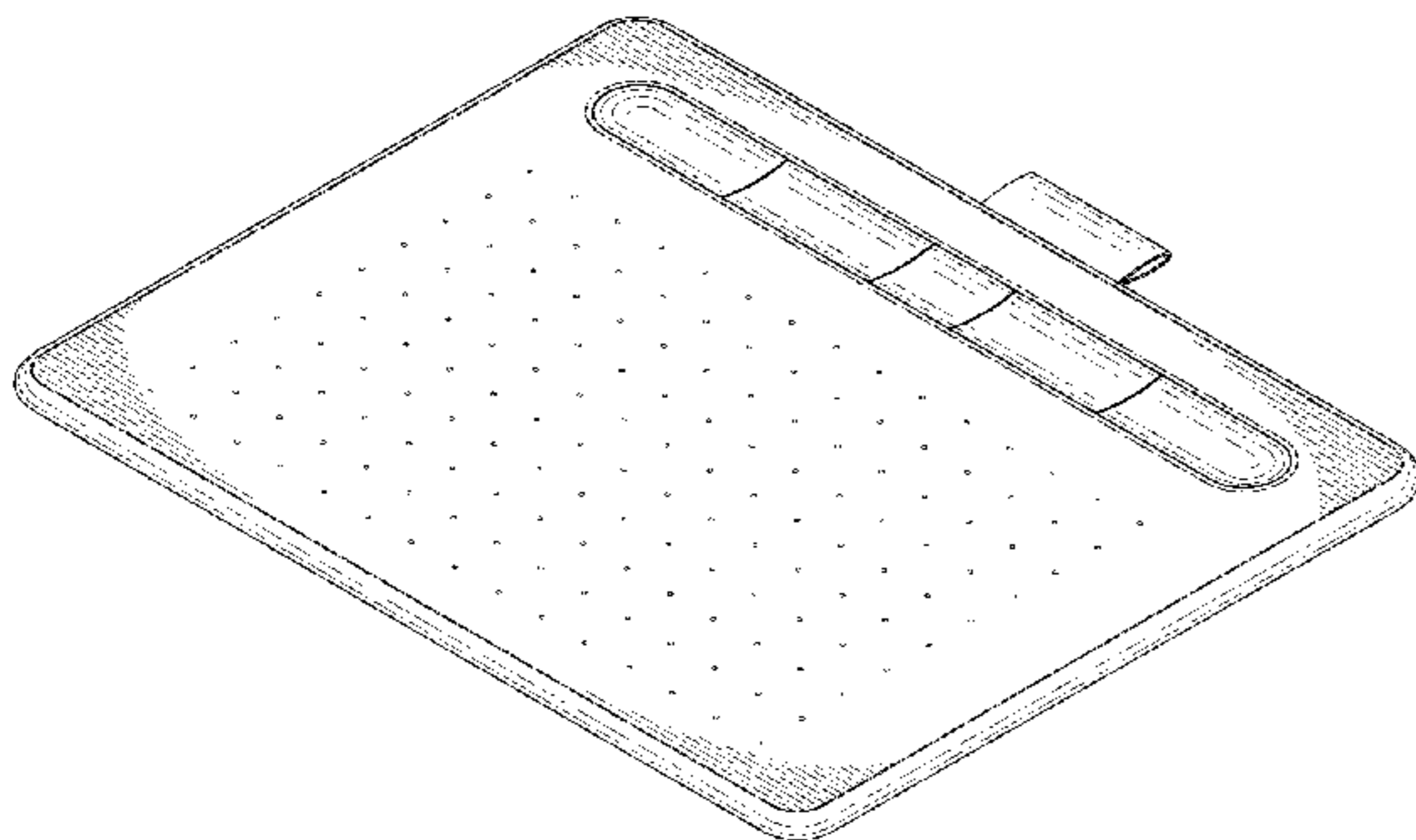


FIG. 18 is a top plan view thereof;
 FIG. 19 is a left side elevational view thereof, wherein the right side elevational view is a mirror image of the left side elevational view;
 FIG. 20 is a front elevational view thereof;
 FIG. 21 is a rear elevational view thereof;
 FIG. 22 is a front-bottom-right perspective view of a fourth representative embodiment of a coordinate input device according to my new design;
 FIG. 23 is a rear-top-left perspective view thereof;
 FIG. 24 is a bottom plan view thereof;
 FIG. 25 is a top plan view thereof;
 FIG. 26 is a left side elevational view thereof, wherein the right side elevational view is a mirror image of the left side elevational view;
 FIG. 27 is a front elevational view thereof; and,
 FIG. 28 is a rear elevational view thereof.
 The dashed broken lines in the drawings show portions of the coordinate input device that form no part of the claimed design.

1 Claim, 12 Drawing Sheets

(58) Field of Classification Search

USPC D14/371, 374, 378, 496, 432, 434, 457, D14/458, 375, 376, 336, 338, 339, 383, D14/385; D21/324, 329, 333; D13/158, D13/162, 162.1, 164, 168, 169, 170, 173, D13/174, 177; D10/46, 49, 50, 51, 75, D10/80, 103; D19/23, 101, 102, 105, D19/135, 75, 77, 78, 88, 92, 113
 CPC G06F 3/041; G06F 3/0412; G06F 3/0414; G06F 3/0416; G06F 3/044; G06F 3/048; G06F 3/484; G06F 3/488; G06F 3/4883; G06F 3/03545; G06F 2203/0338; G06F 1/1669; G06F 1/1643; G06F 1/166
 See application file for complete search history.

(56) References Cited

U.S. PATENT DOCUMENTS

D346,591 S 5/1994 Lee
 D386,986 S * 12/1997 Gee, II D10/50
 D395,639 S 6/1998 Ham et al.
 D425,538 S 5/2000 Akaike
 D452,695 S 1/2002 Miller
 D454,870 S 3/2002 Lee et al.
 D461,802 S 8/2002 Tu
 D503,402 S 3/2005 Su et al.

D528,991 S 9/2006 Katsuyama et al.
 D534,215 S * 12/2006 Nakata D19/113
 D537,120 S 2/2007 Mandel
 D541,800 S 5/2007 Ponnert et al.
 D543,174 S 5/2007 Kim
 D559,197 S 1/2008 Lim et al.
 D572,208 S 7/2008 Mayo et al.
 D572,667 S 7/2008 Mayo et al.
 D574,436 S 8/2008 Mandel
 D624,882 S 10/2010 Altonen et al.
 D631,880 S 2/2011 Hirota
 D638,014 S 5/2011 Chong et al.
 D638,421 S 5/2011 Tsai
 D638,806 S 5/2011 Kim et al.
 D639,804 S 6/2011 Hwang et al.
 D640,992 S 7/2011 Margolin et al.
 D645,001 S 9/2011 Margolin et al.
 D648,722 S 11/2011 Meyerhoffer et al.
 D658,591 S 5/2012 Margolin et al.
 8,350,813 B2 1/2013 Sato
 D689,492 S * 9/2013 Halsinger D14/389
 D690,696 S 10/2013 Jonsson et al.
 D690,697 S 10/2013 Jonsson et al.
 D690,698 S 10/2013 Jonsson et al.
 D690,699 S * 10/2013 Jonsson D14/390
 D694,211 S 11/2013 Yuu et al.
 D701,570 S 3/2014 Fletcher et al.
 D702,235 S 4/2014 Jonsson et al.
 D709,055 S 7/2014 Cho
 D718,308 S 11/2014 Nishizawa
 D719,161 S * 12/2014 Huebner D14/389
 D722,055 S 2/2015 Jonsson et al.
 D732,526 S 6/2015 Ferren et al.
 D732,533 S 6/2015 Hirota
 D735,717 S 8/2015 Lam et al.
 D739,399 S 9/2015 Adamson et al.
 D739,400 S 9/2015 Adamson et al.
 D744,484 S 12/2015 Huebner
 D746,279 S 12/2015 Bajwa et al.
 D746,280 S 12/2015 Bajwa et al.
 D763,205 S 8/2016 Kashimoto
 D766,240 S 9/2016 Le Rouzo
 D766,892 S 9/2016 Bajwa et al.
 D773,456 S 12/2016 Mitchell
 D782,471 S 3/2017 Nuk et al.
 D795,217 S 8/2017 Akana et al.
 D810,745 S 2/2018 Luo
 D812,050 S 3/2018 Mitchell
 D815,631 S * 4/2018 Kim D14/341
 D818,465 S 5/2018 Mitchell
 D820,252 S * 6/2018 Huebner D14/341
 D824,383 S 7/2018 Wall et al.
 D827,455 S 9/2018 Farenski
 D827,635 S * 9/2018 Wei D14/341
 D827,646 S 9/2018 Mitchell
 D841,645 S * 2/2019 Huebner D14/341
 D844,610 S * 4/2019 Luo D14/390

* cited by examiner

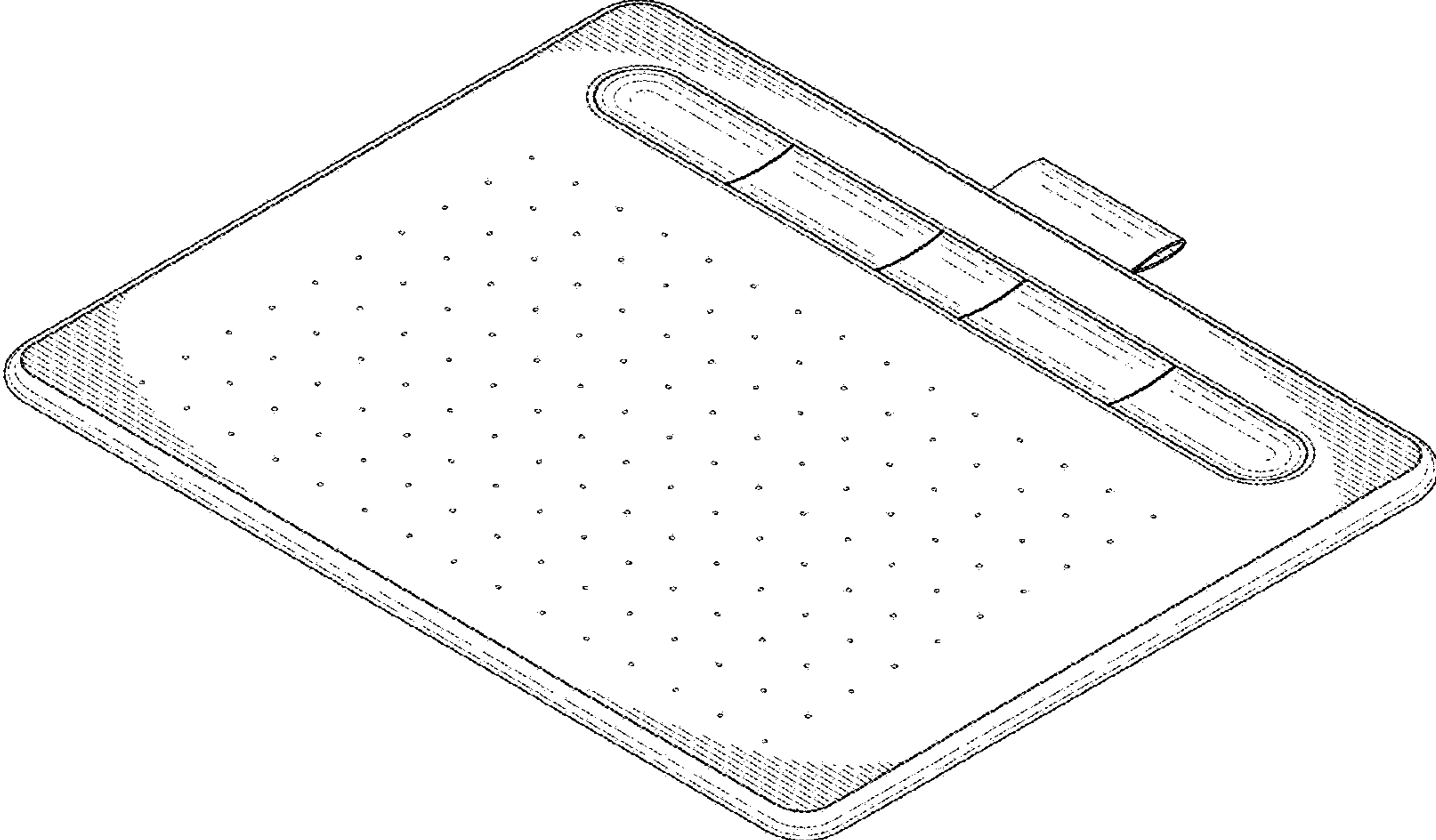


FIG. 1

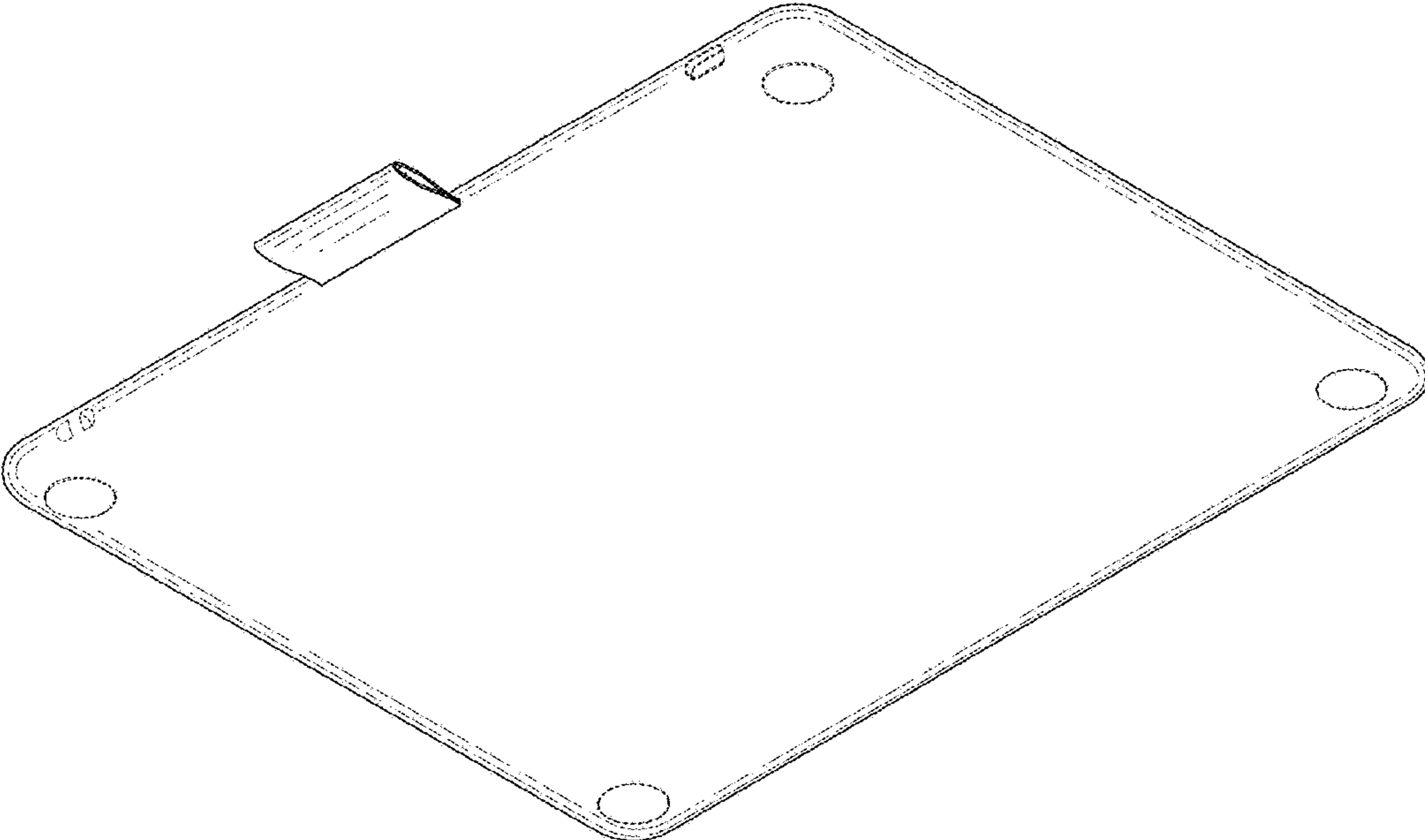


FIG. 2

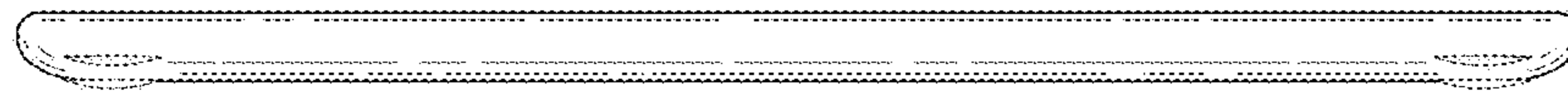


FIG. 3

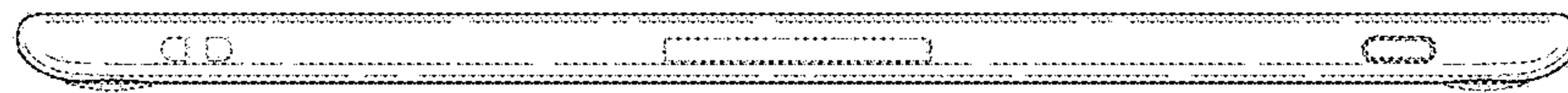


FIG. 4

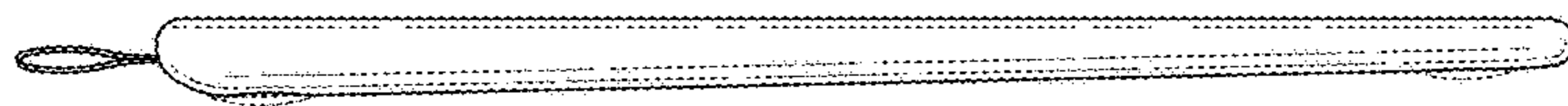


FIG. 5

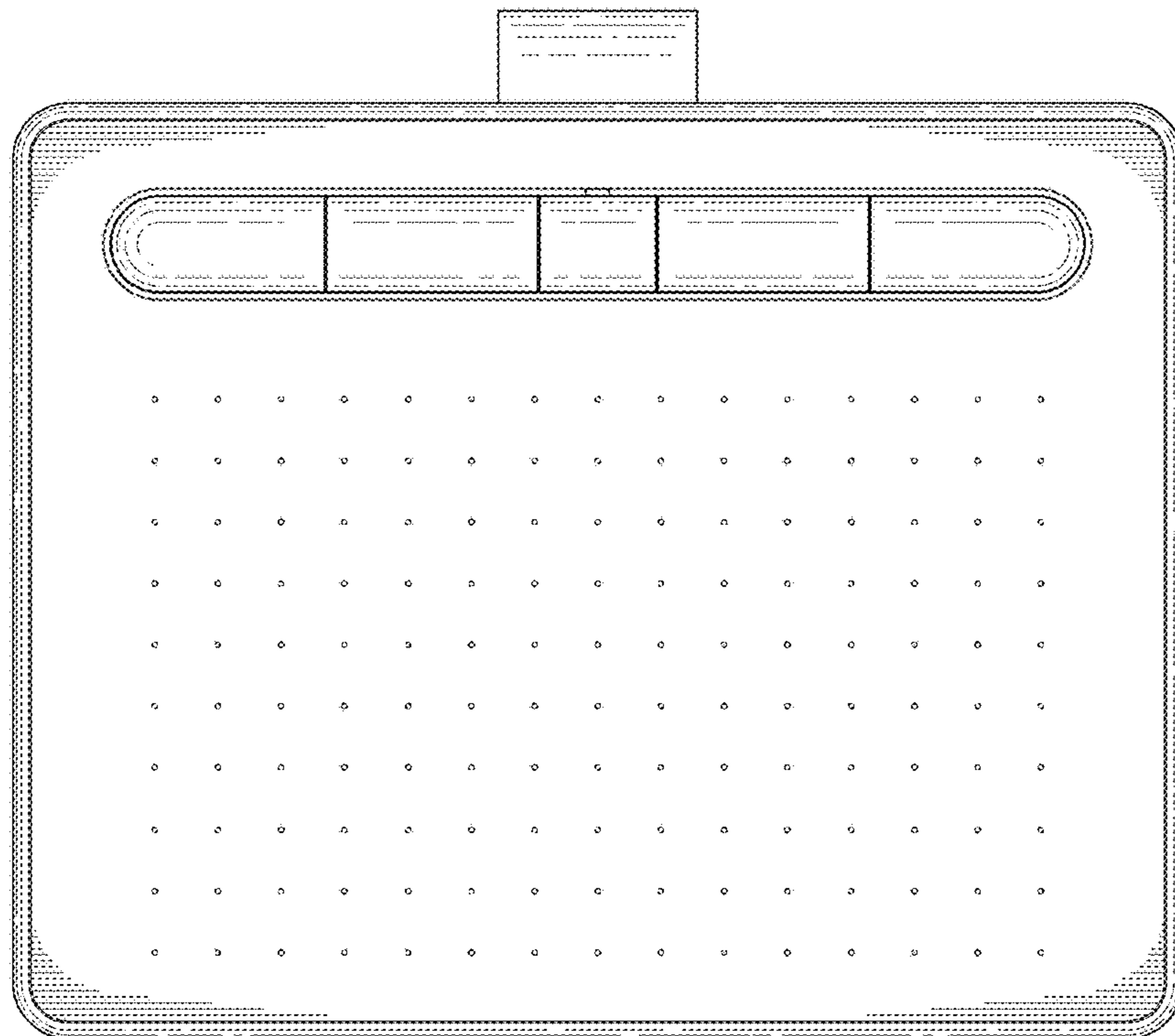


FIG. 6

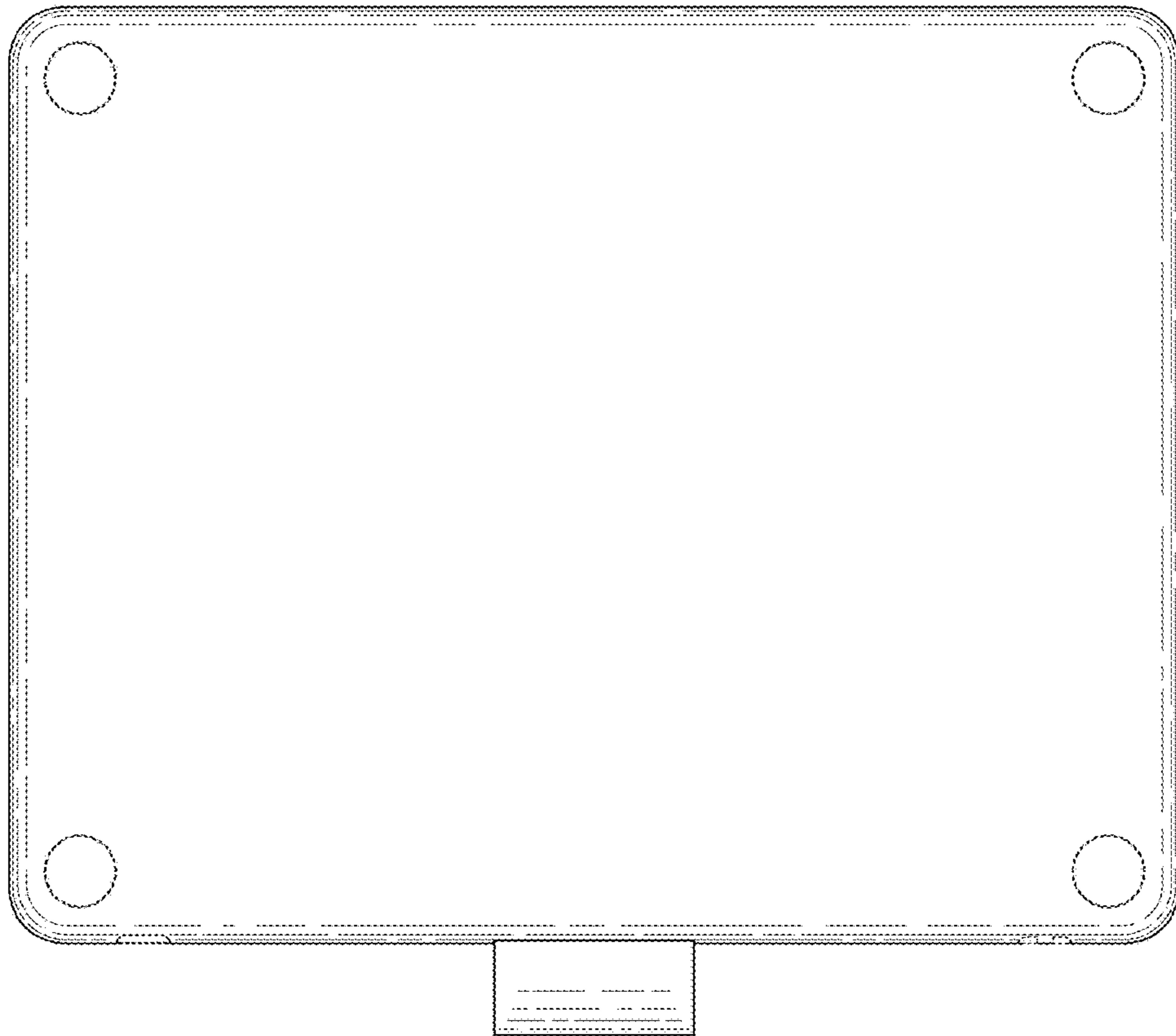


FIG. 7

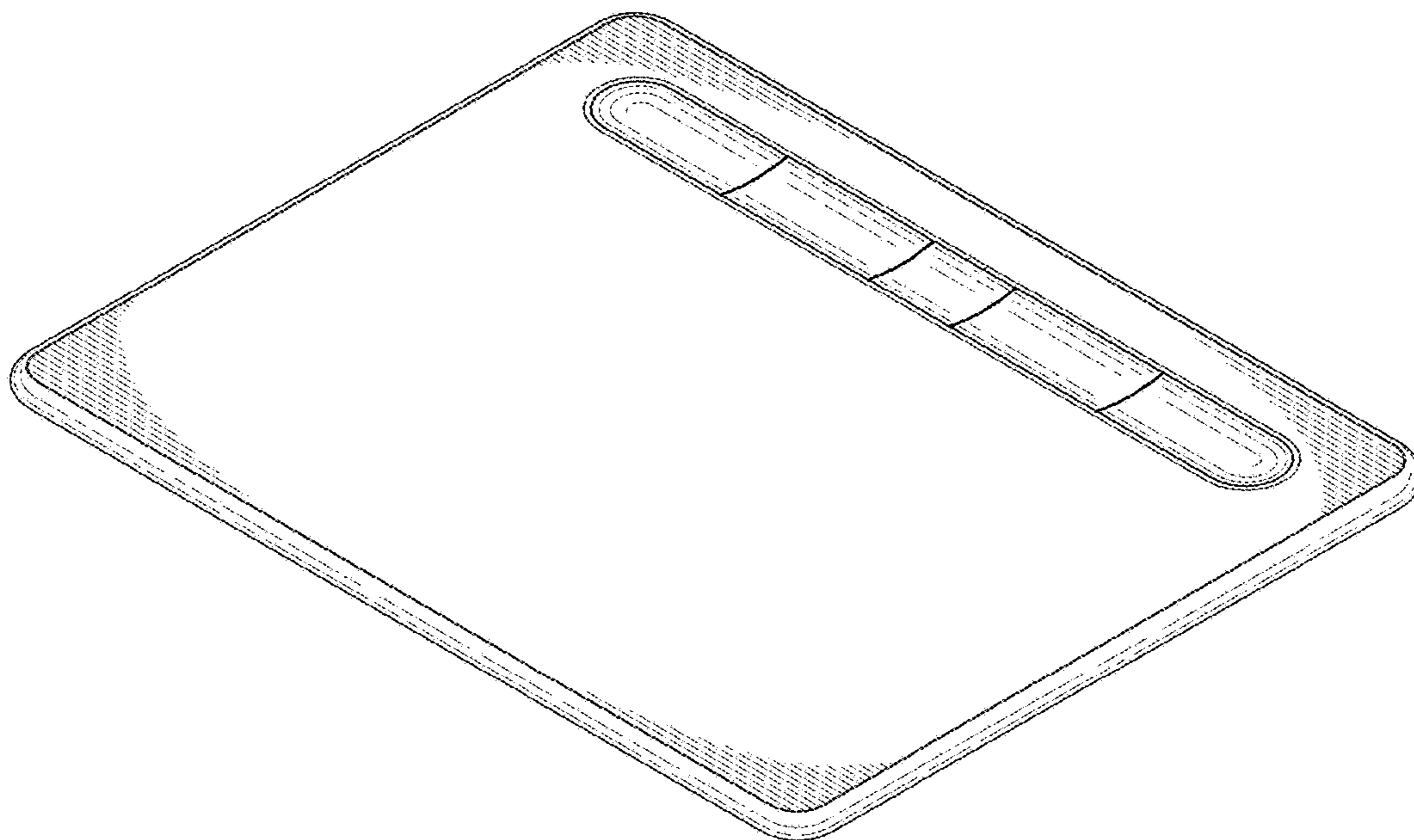


FIG. 8

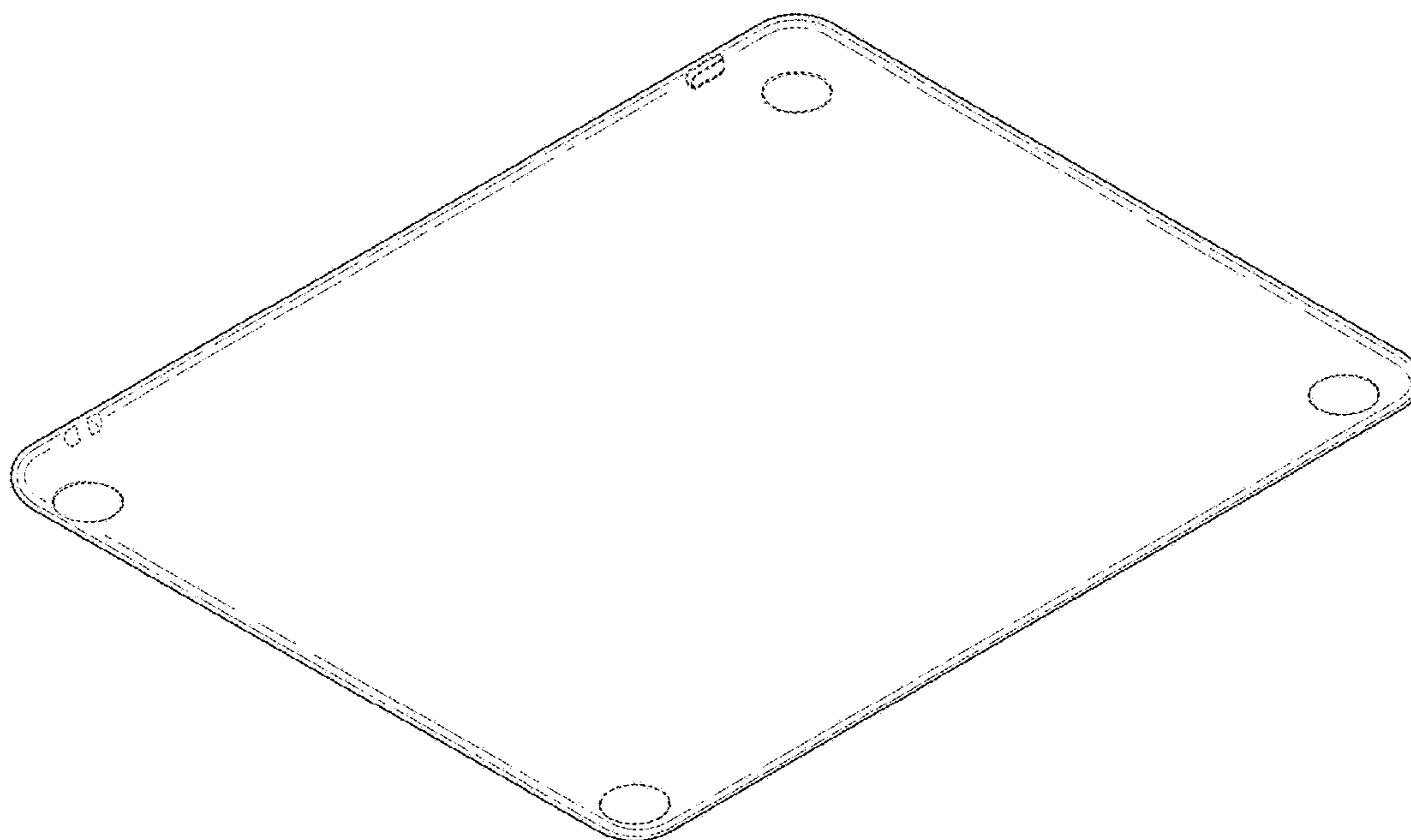


FIG. 9

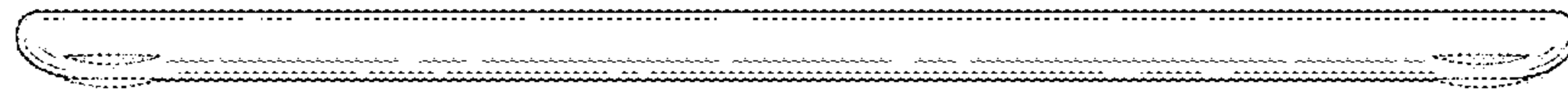


FIG. 10

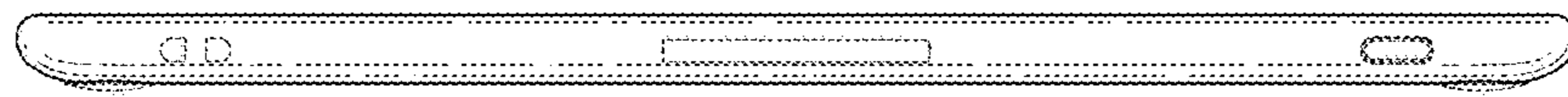


FIG. 11

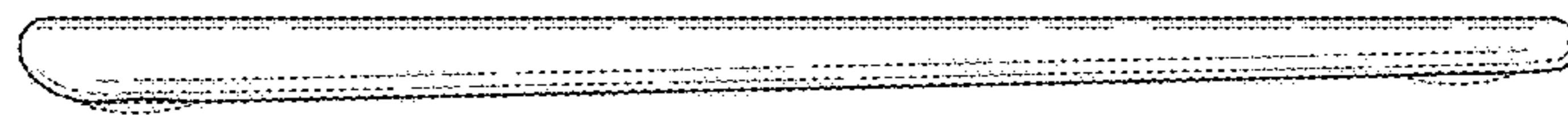


FIG. 12

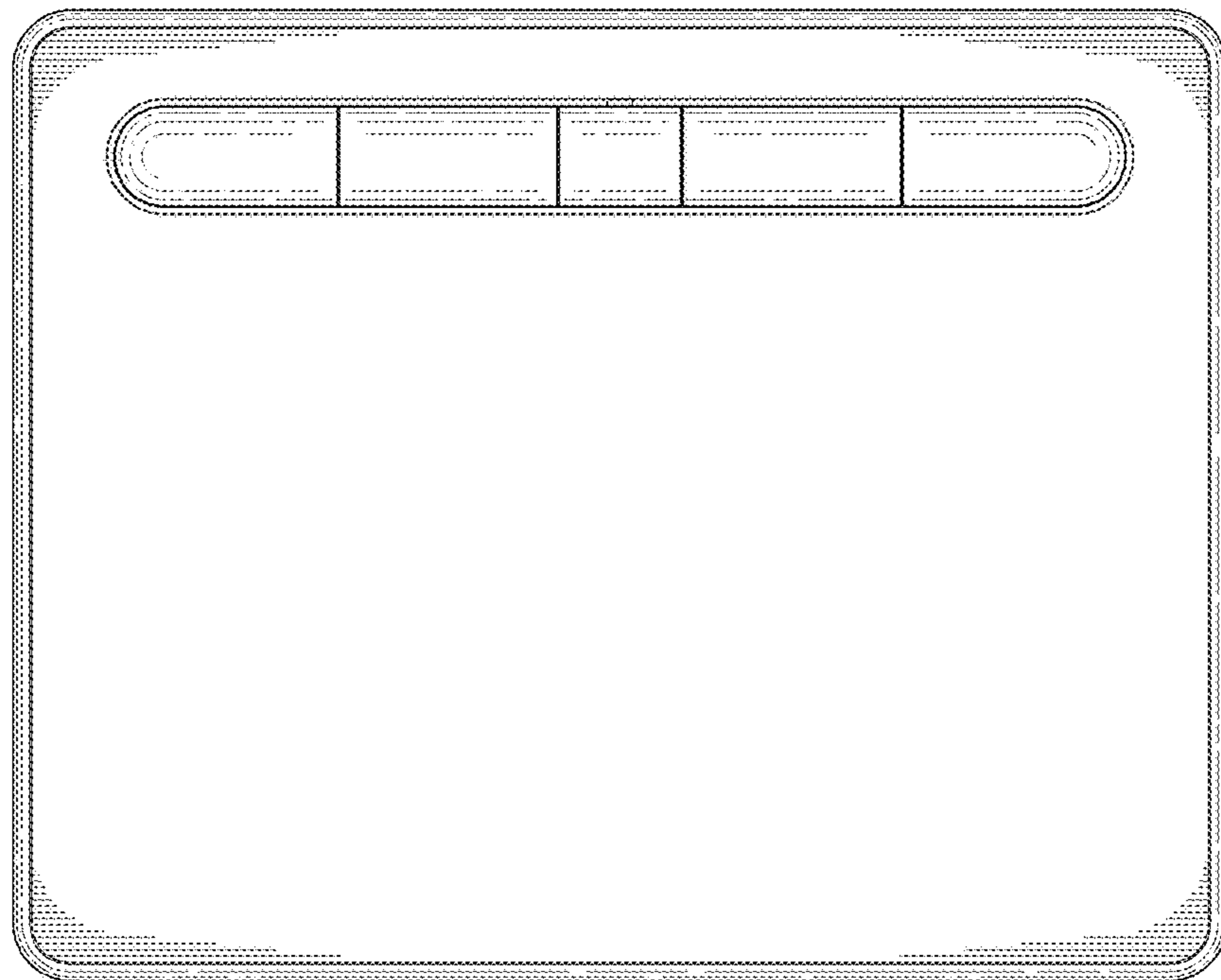


FIG. 13

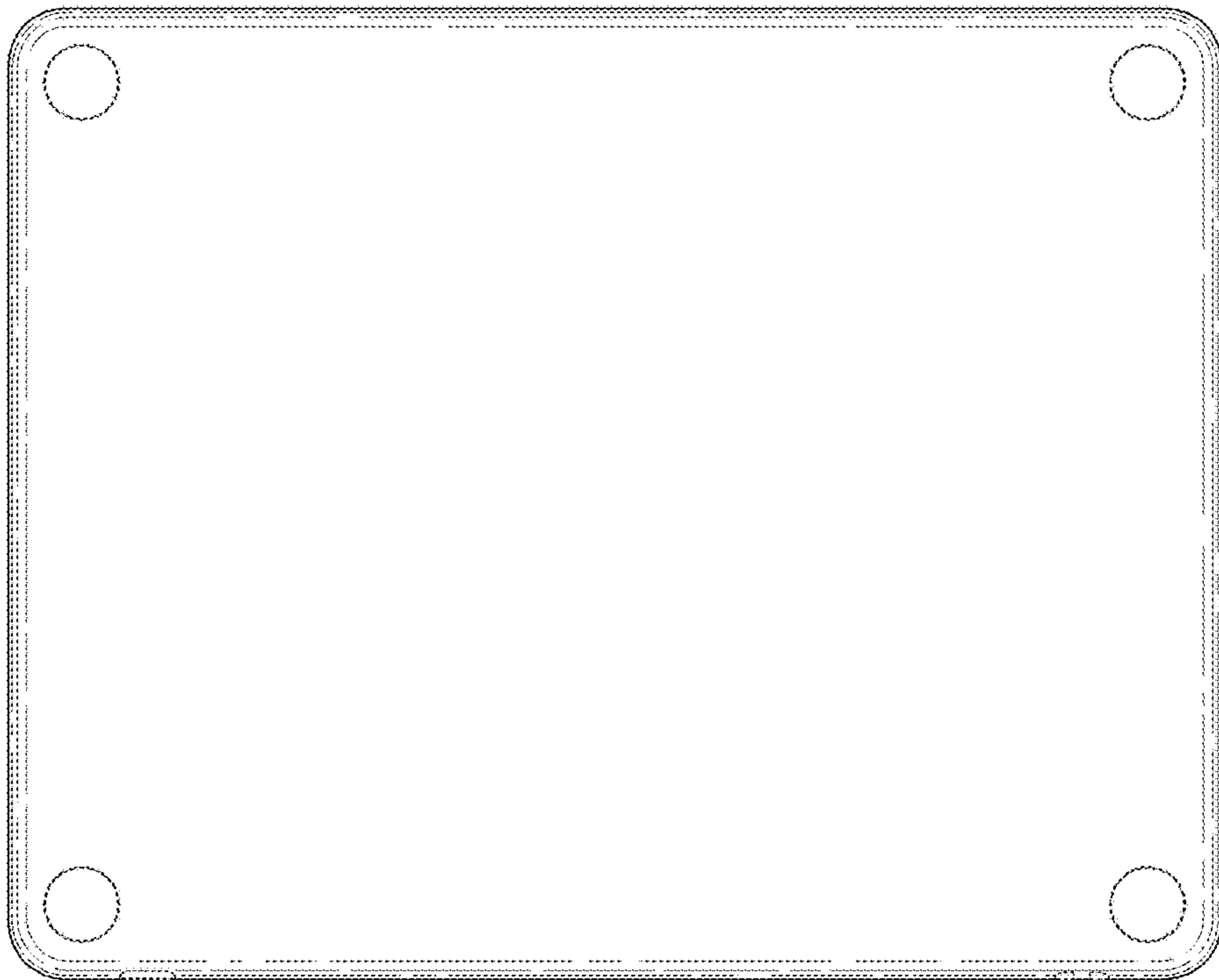


FIG. 14

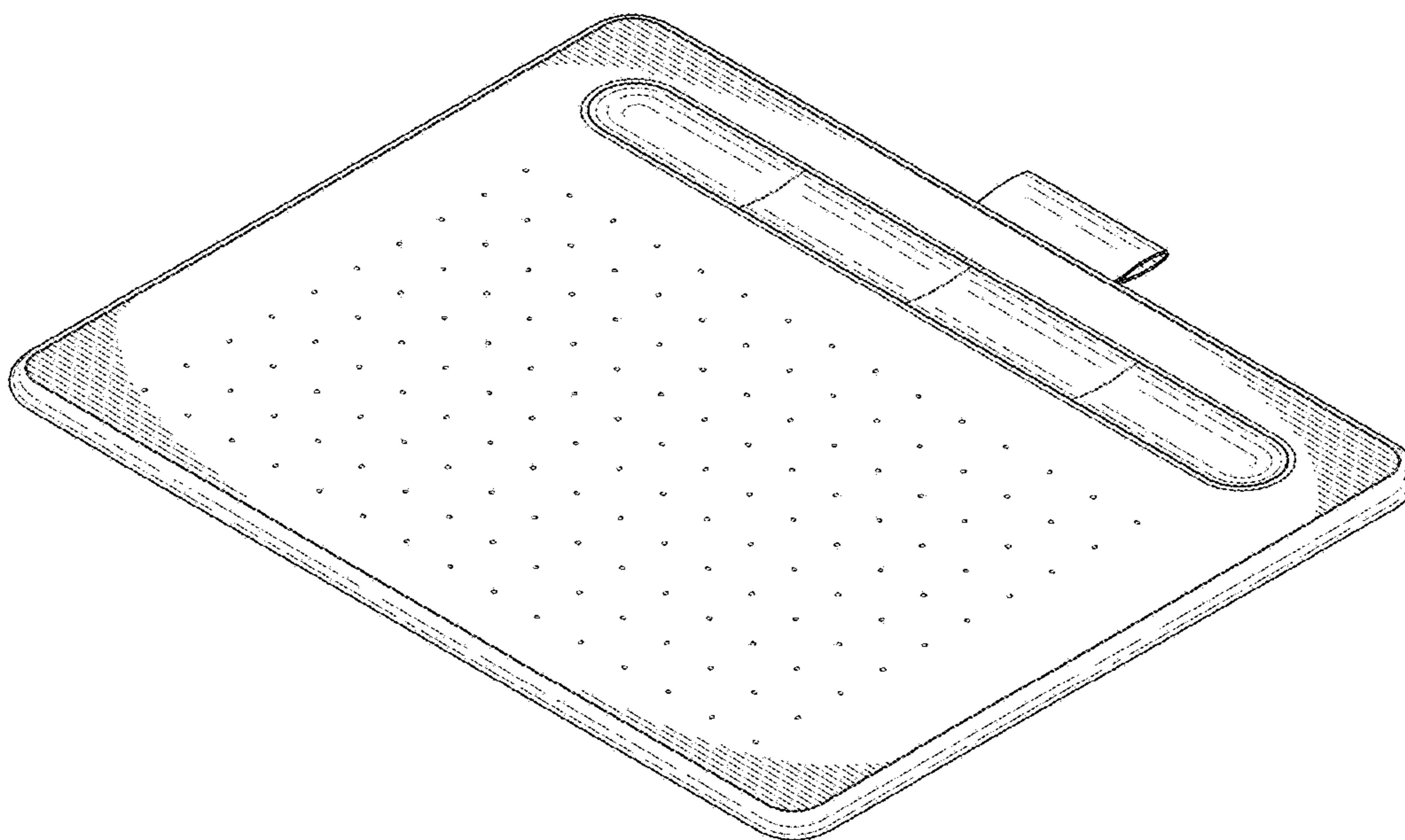


FIG. 15

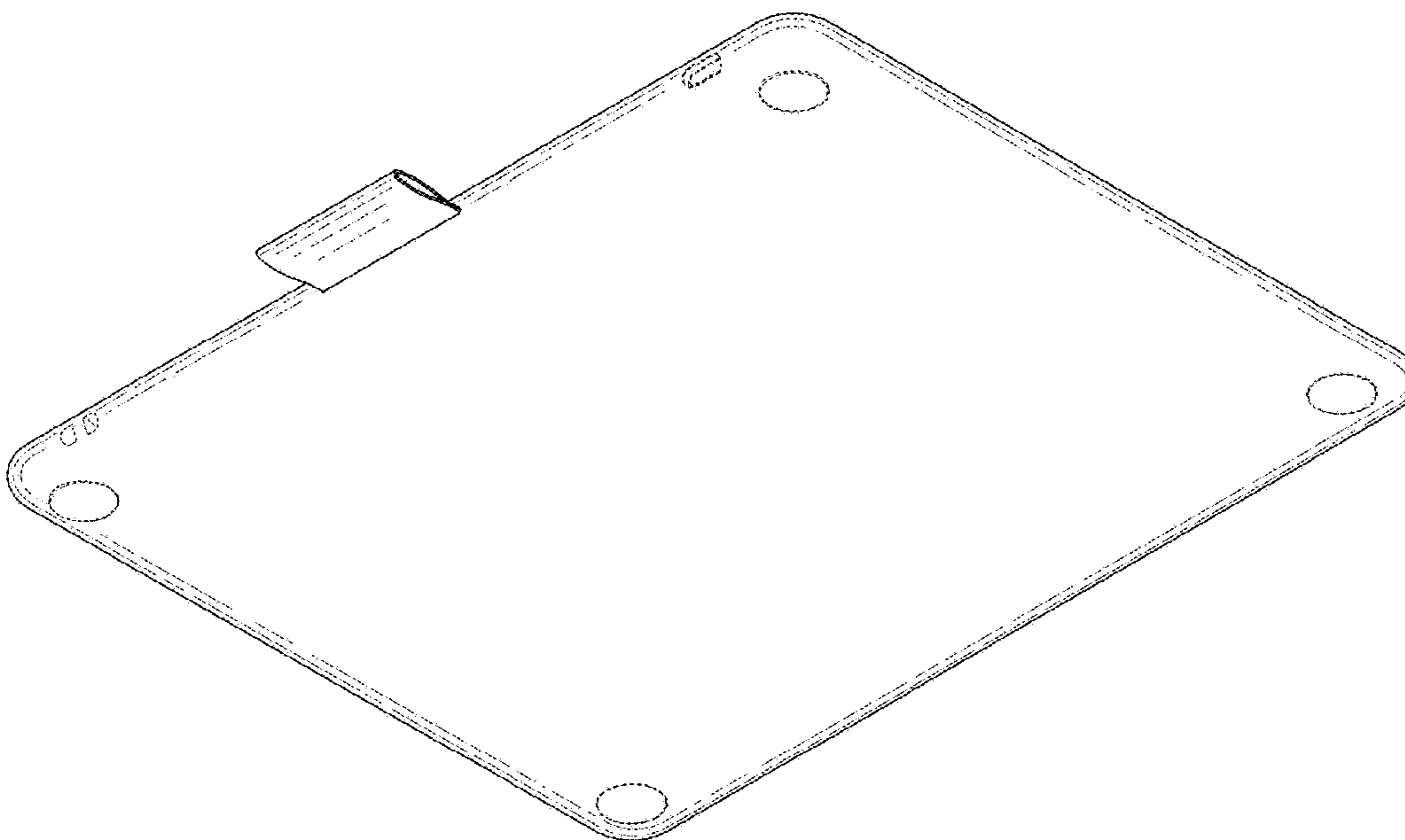


FIG. 16

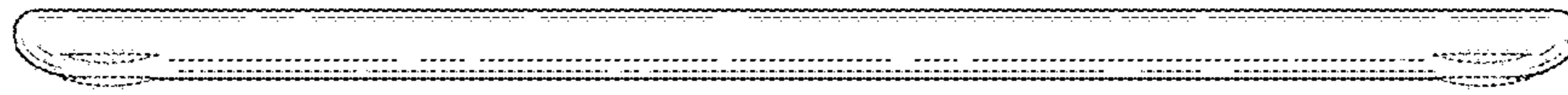


FIG. 17

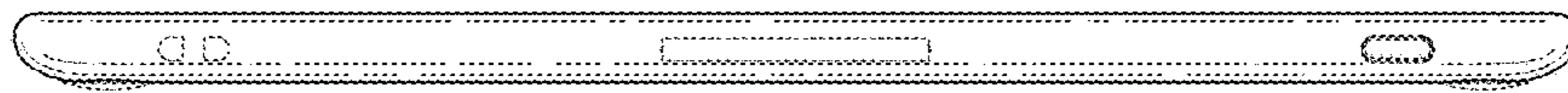


FIG. 18

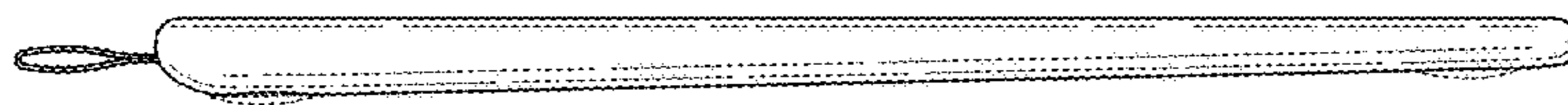


FIG. 19

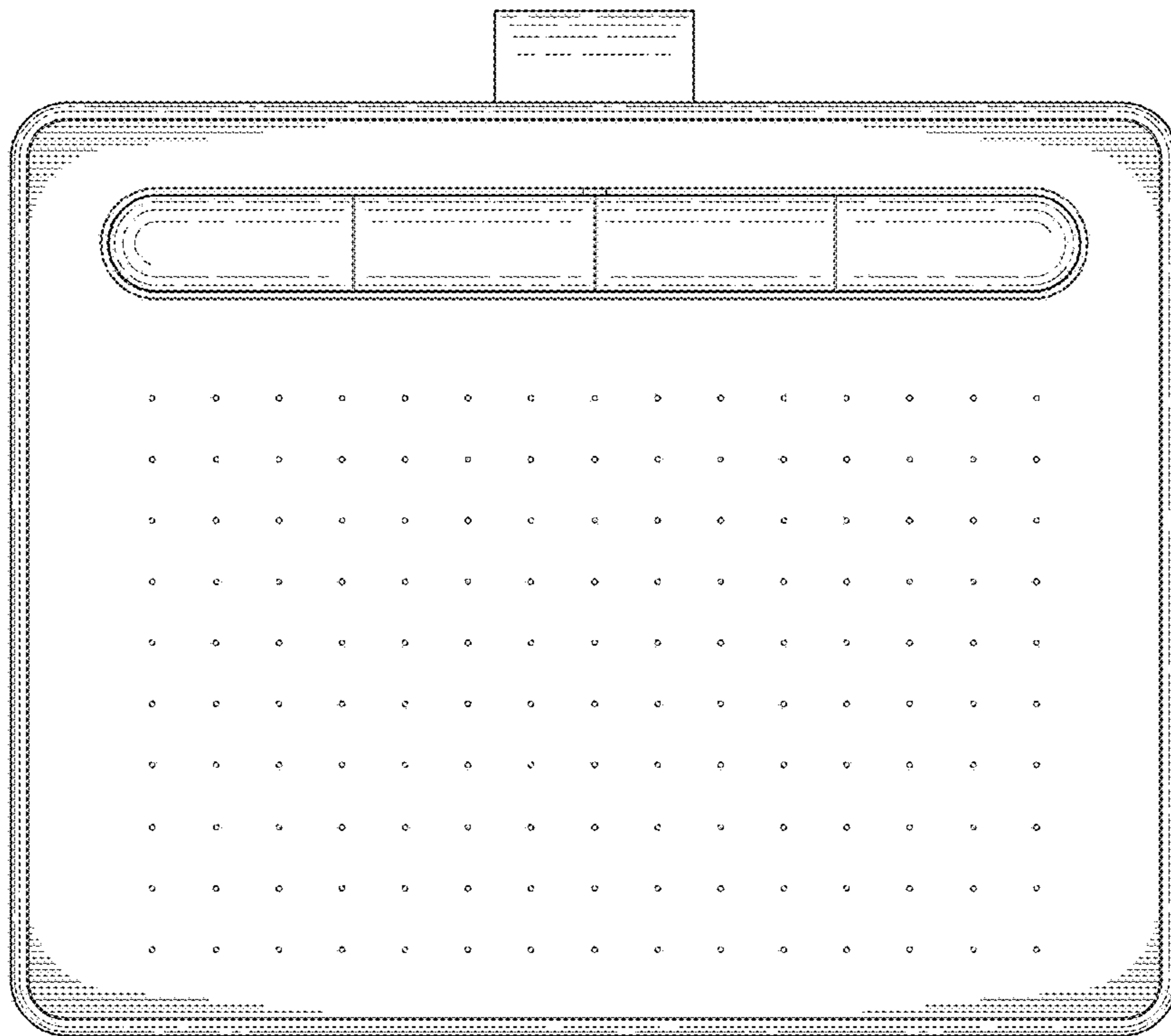


FIG. 20

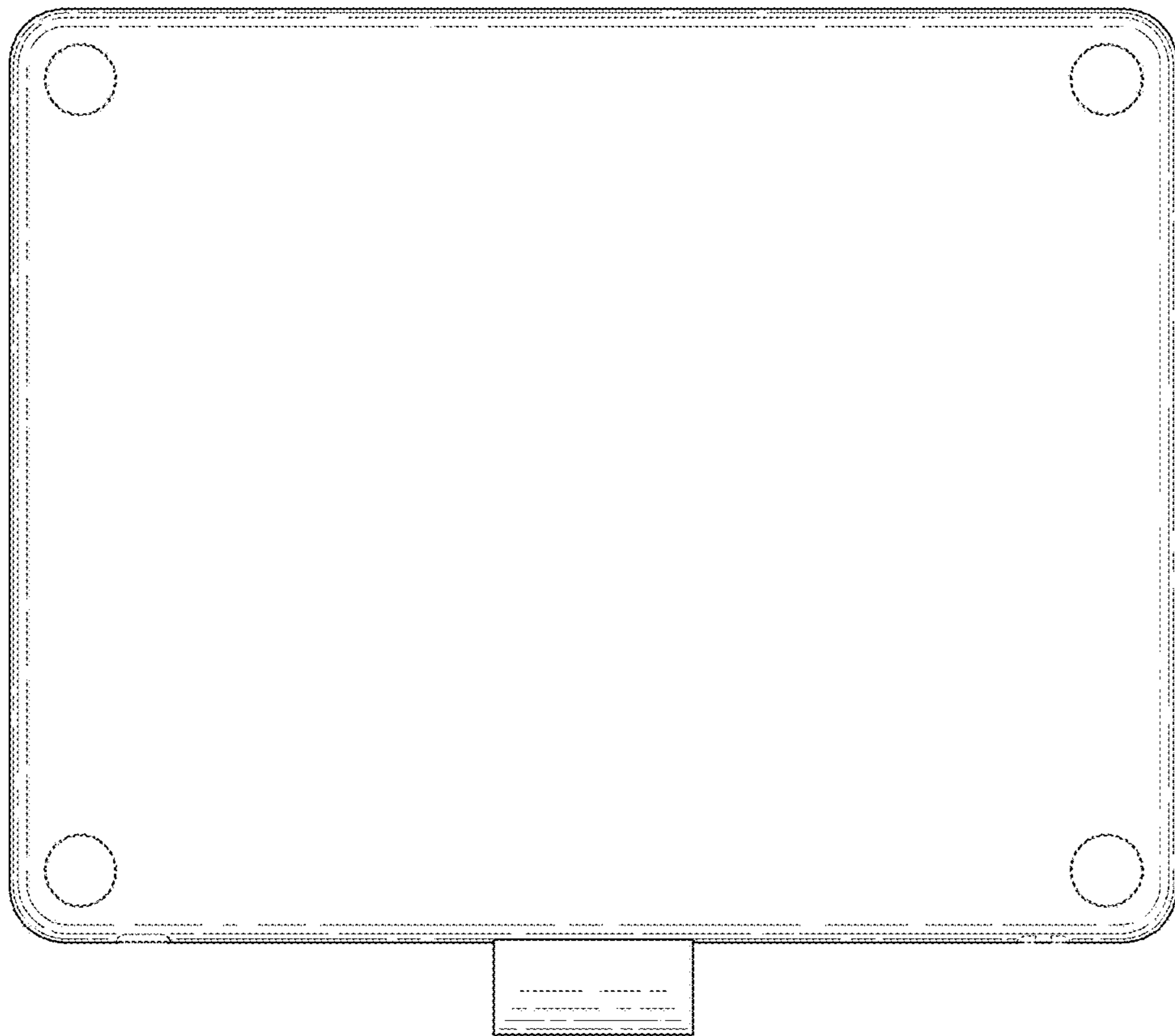


FIG. 21

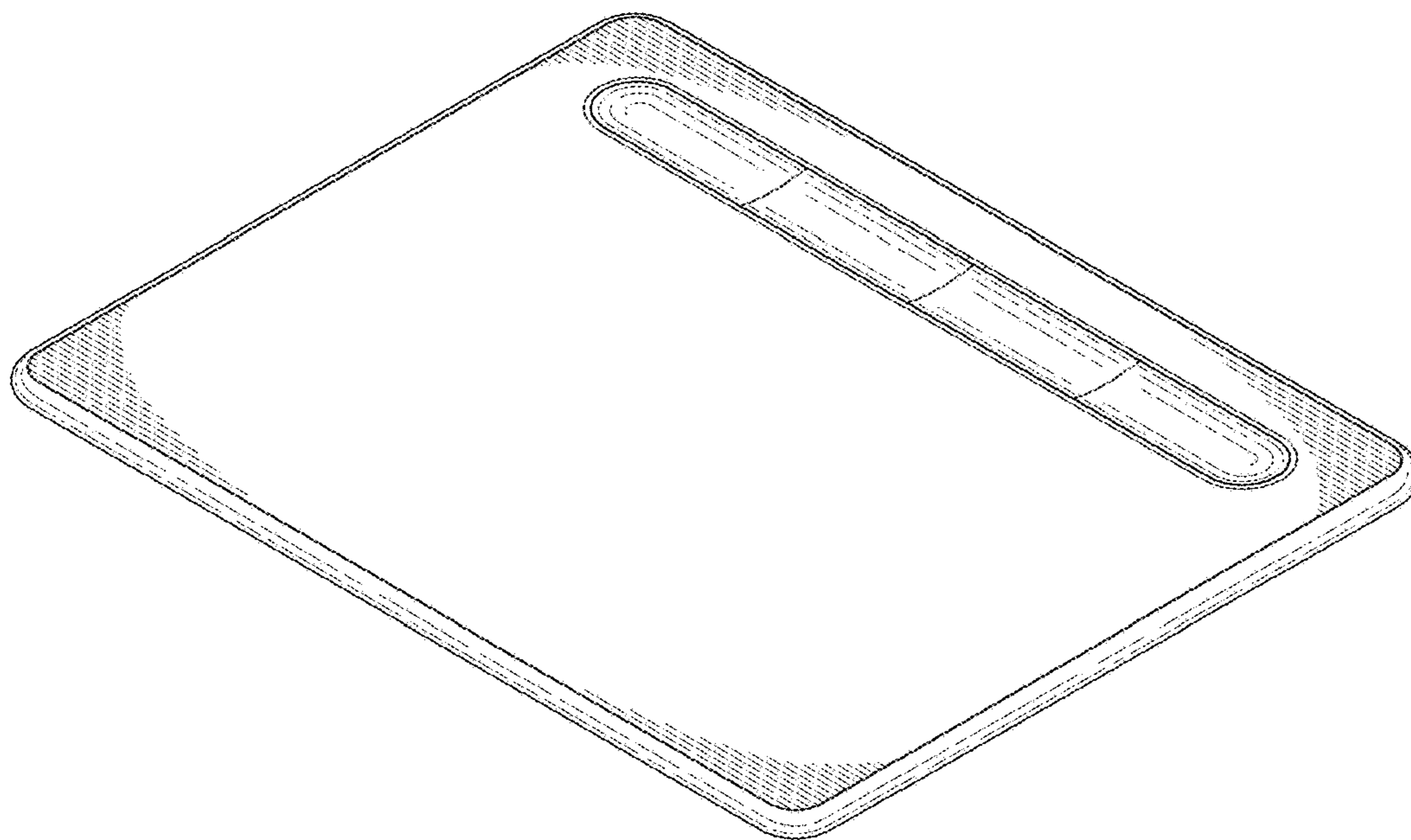


FIG. 22

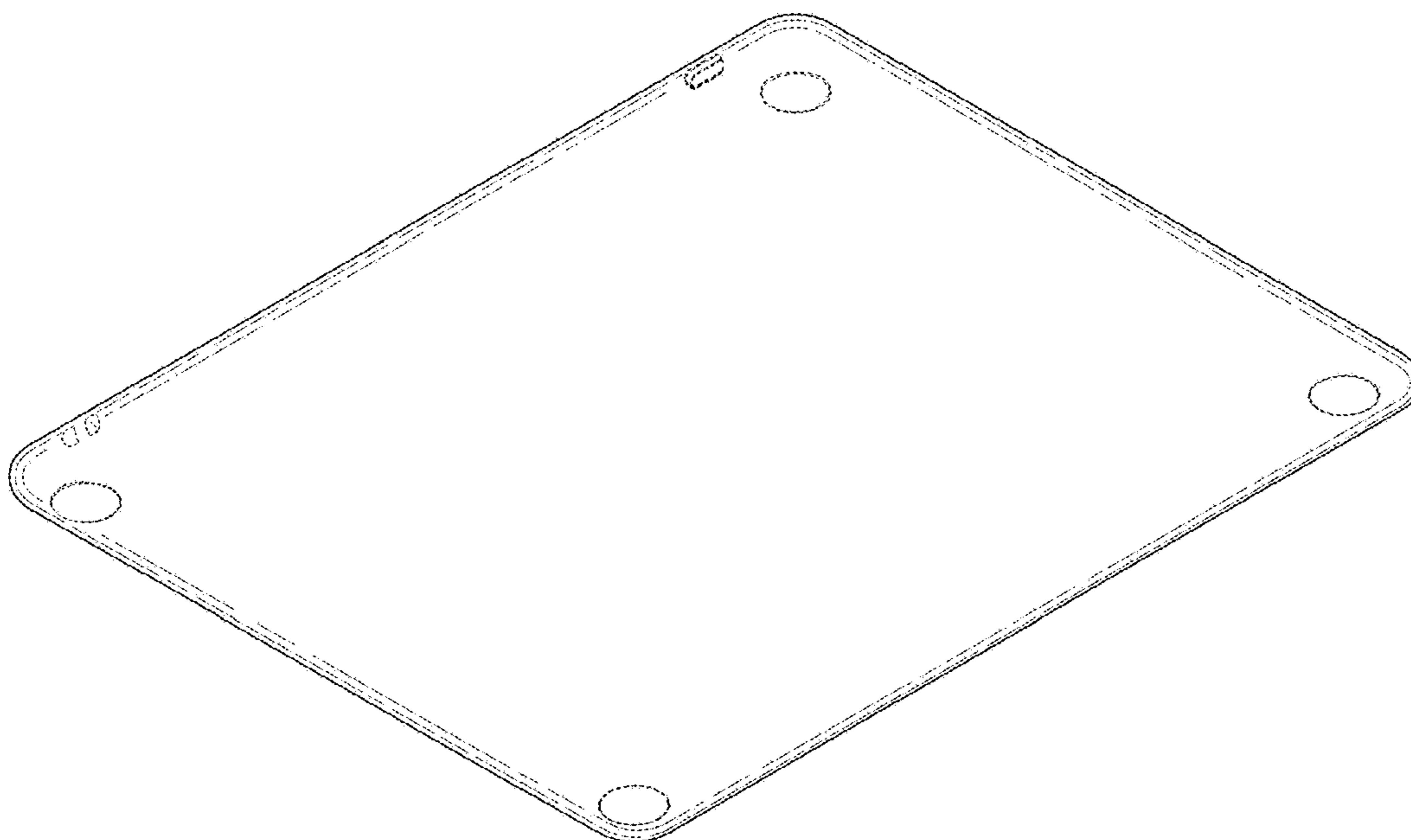


FIG. 23

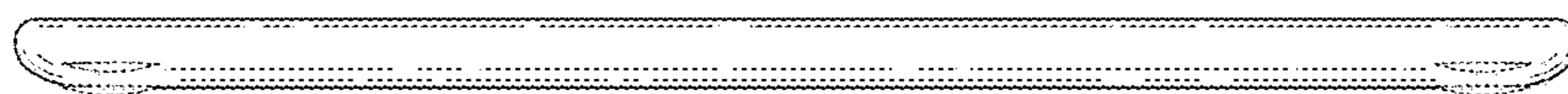


FIG. 24

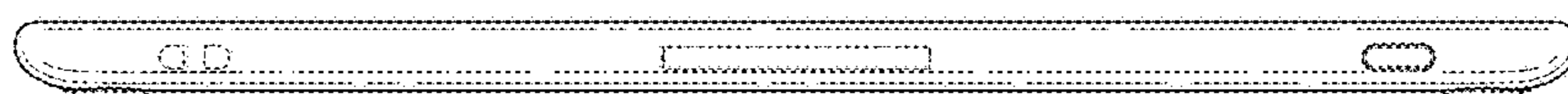


FIG. 25

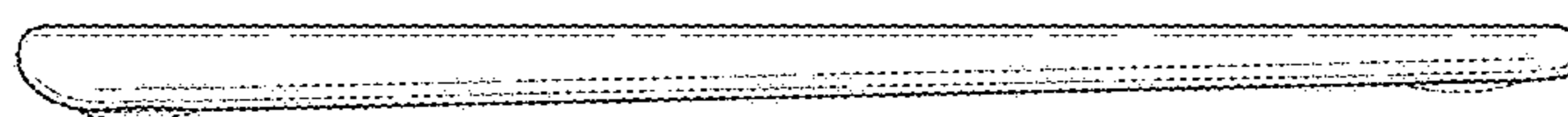


FIG. 26

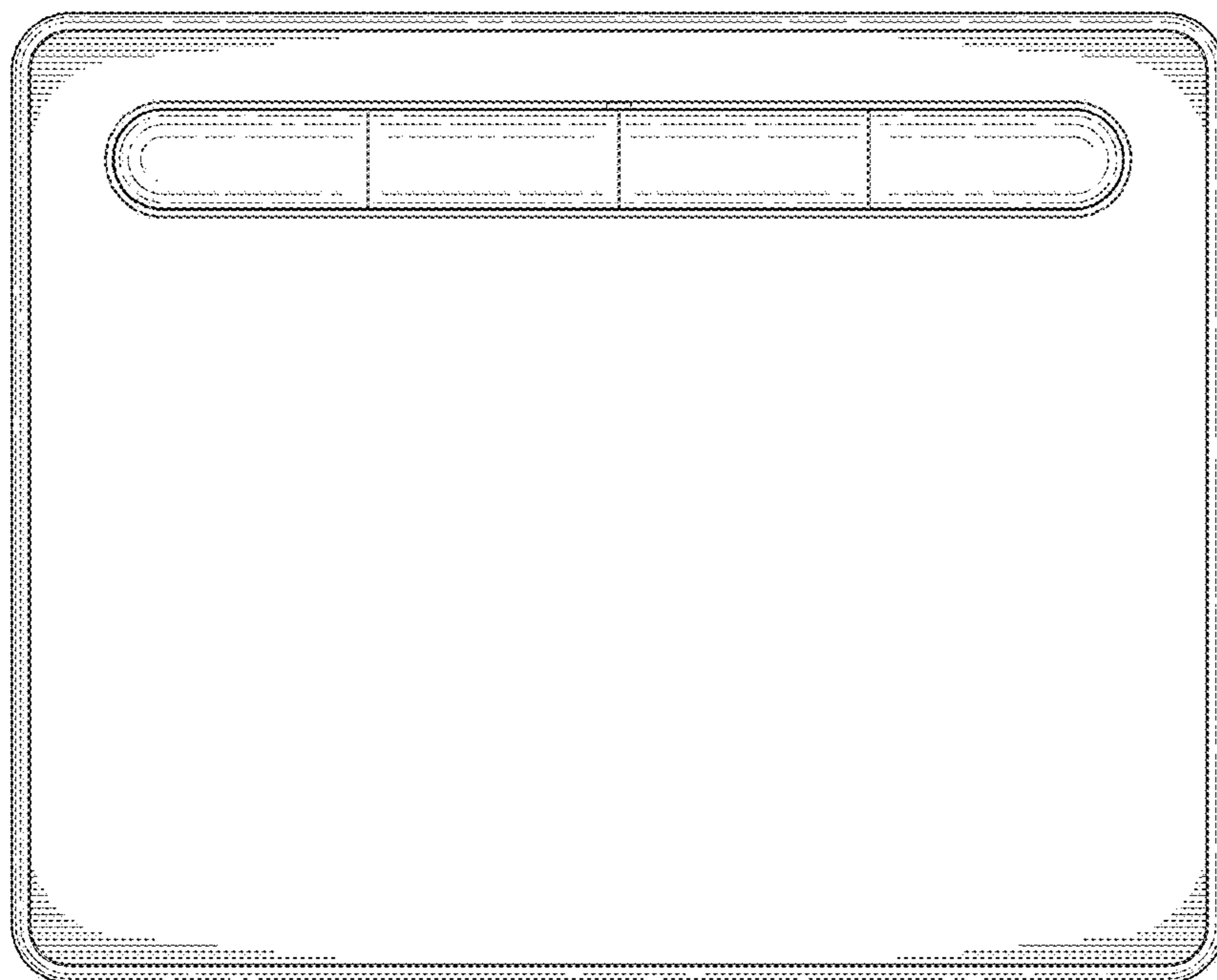


FIG. 27

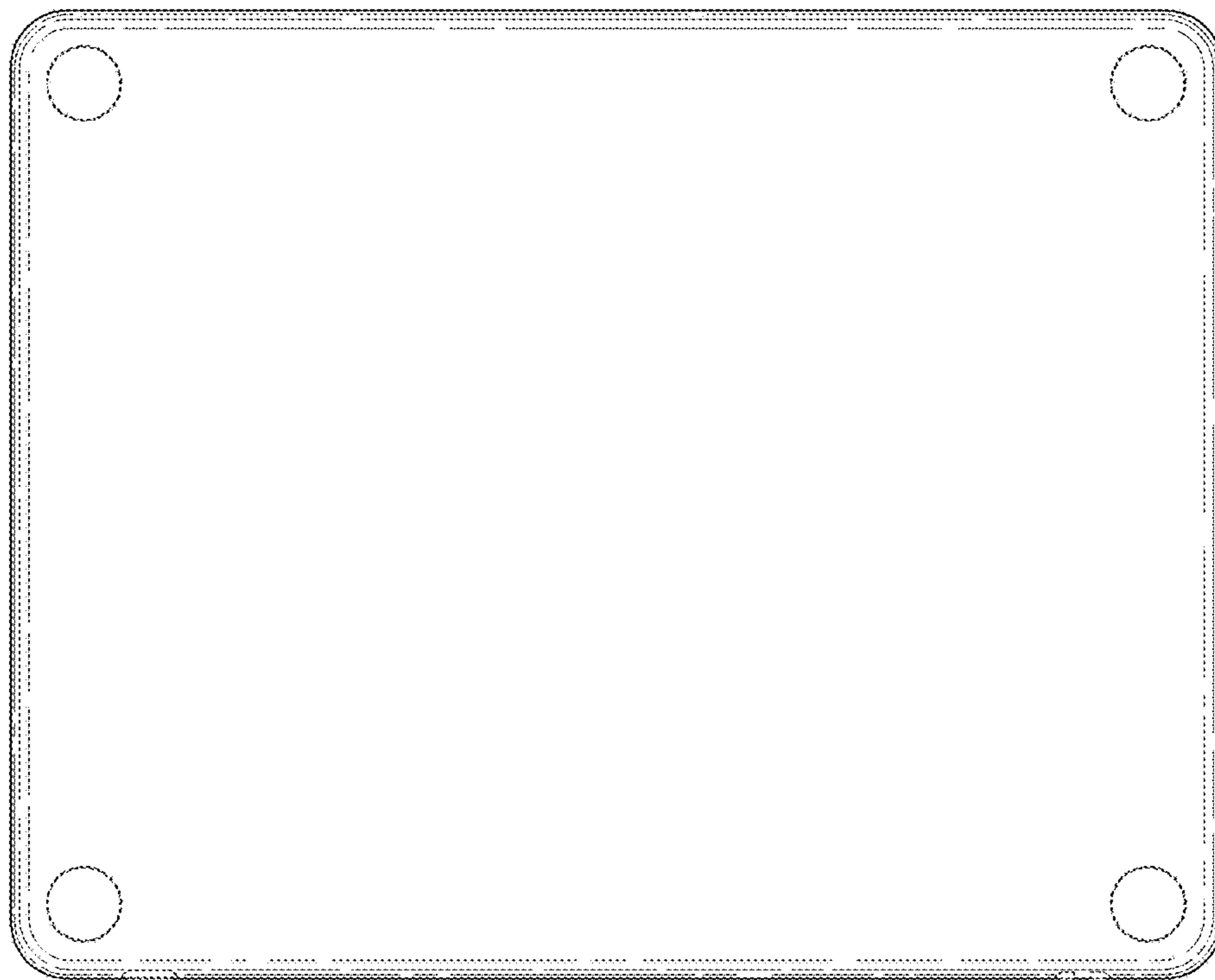


FIG. 28