



US00D864200S

(12) **United States Design Patent**
Holman, IV et al.

(10) **Patent No.:** **US D864,200 S**

(45) **Date of Patent:** **** Oct. 22, 2019**

(54) **FINGERPRINT READER**
(71) Applicant: **CROSS MATCH TECHNOLOGIES, INC.**, Palm Beach Gardens, FL (US)
(72) Inventors: **Martin E. Holman, IV**, West Palm Beach, FL (US); **Dean J. Fedele**, Jupiter, FL (US); **Jeffrey C. Parker**, Jupiter, FL (US); **Zhengzhong Liu**, Guangzhou (CN); **Memphis Yin**, Tomball, TX (US)

(73) Assignee: **CROSS MATCH TECHNOLOGIES, INC.**, Palm Beach Gardens, FL (US)

(**) Term: **15 Years**

(21) Appl. No.: **29/622,103**

(22) Filed: **Oct. 13, 2017**

(51) **LOC (12) Cl.** **14-02**

(52) **U.S. Cl.**
USPC **D14/384; D14/383**

(58) **Field of Classification Search**
USPC D14/300–302, 313, 314, 341, 348–370, D14/383, 385, 432, 436, 496, 125, 135, D14/134, 155, 167, 168, 230, 231, 233, D14/235, 237, 240–242, 299; D10/65, D10/75, 78; D13/103, 149, 162, 184, D13/199; D18/4.4–4.6, 12.1, 56; 361/679.31–679.45, 752; 711/100, 115; 382/115, 124; 356/71; 235/380, 461, 235/382, 472.01, 472.02; D3/201, 273
CPC G06K 9/00006; G06K 7/0013; G06K 9/00026; G06F 21/00; G06Q 30/00
See application file for complete search history.

(56) **References Cited**

U.S. PATENT DOCUMENTS

6,111,977 A 8/2000 Scott et al.
D478,905 S 8/2003 Byrne et al.

6,886,104 B1 4/2005 McClurg et al.
D518,482 S 4/2006 Hodges et al.
D593,559 S * 6/2009 Lin D14/384
D718,307 S * 11/2014 Ozolins D14/383
D741,862 S * 10/2015 Beroukhim D14/384
D771,050 S 11/2016 Morgeneier et al.
D776,113 S * 1/2017 Bierach D14/383
D782,479 S 3/2017 Bruno et al.
D792,403 S * 7/2017 Nott D14/384

(Continued)

OTHER PUBLICATIONS

Apple Inc., iPad 9.7-inch—Technical Specifications—Apple, <https://www.apple.com/ipad-9.7/specs/>, pp. 1-11, Mar. 22, 2017.

(Continued)

Primary Examiner — Austin Murphy

(74) *Attorney, Agent, or Firm* — Kenneth J. LuKacher
Law Group; Kenneth J. LuKacher

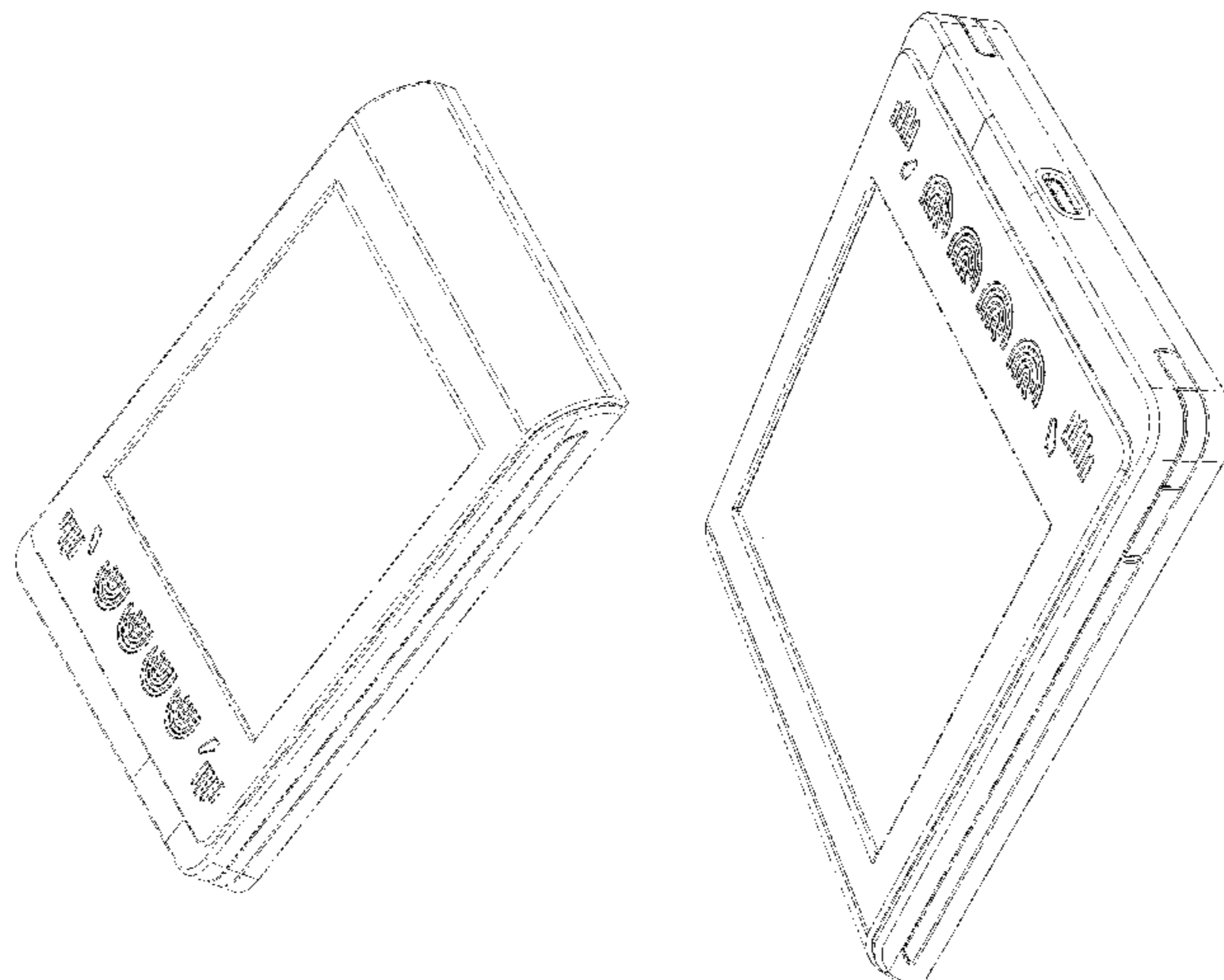
(57) **CLAIM**

The ornamental design for a fingerprint reader, as shown and described.

DESCRIPTION

FIG. 1 is a perspective view looking downwardly at the front from the left side and top of a fingerprint reader in accordance with our design;
FIG. 2 is a perspective view looking downwardly at the front from the right side and rear thereof
FIG. 3 is a front view thereof;
FIG. 4 is a rear view thereof;
FIG. 5 is a right elevational view thereof;
FIG. 6 is a left elevational view thereof;
FIG. 7 is a top view thereof;
FIG. 8 is a bottom view thereof;
FIG. 9 is a perspective view looking downwardly at the rear from the right side and top thereof; and,
FIG. 10 is a perspective view looking downward at the rear from the left side and bottom thereof.

1 Claim, 9 Drawing Sheets



(56)

References Cited

U.S. PATENT DOCUMENTS

D792,404	S	*	7/2017	Nott	D14/384
D795,255	S	*	8/2017	Avetisov	D14/384
D797,745	S	*	9/2017	Wang	D14/426
D825,562	S	*	8/2018	Segal	D14/384
D838,271	S	*	1/2019	Kaneko	D14/384
D848,392	S	*	5/2019	Zeng	D14/159
D850,438	S	*	6/2019	Koenigsknecht	D14/307
2003/0158819	A1		8/2003	Scott		
2006/0018519	A1		1/2006	Siegel et al.		
2007/0067642	A1*		3/2007	Singhal	G06F 21/32 713/186
2016/0072798	A1		3/2016	Jhingran		

OTHER PUBLICATIONS

Apple Inc., iPad Pro—Technical Specifications—Apple, <http://www.apple.com/ipad-pro/specs/>, pp. 1-13, Mar. 22, 2016.

* cited by examiner

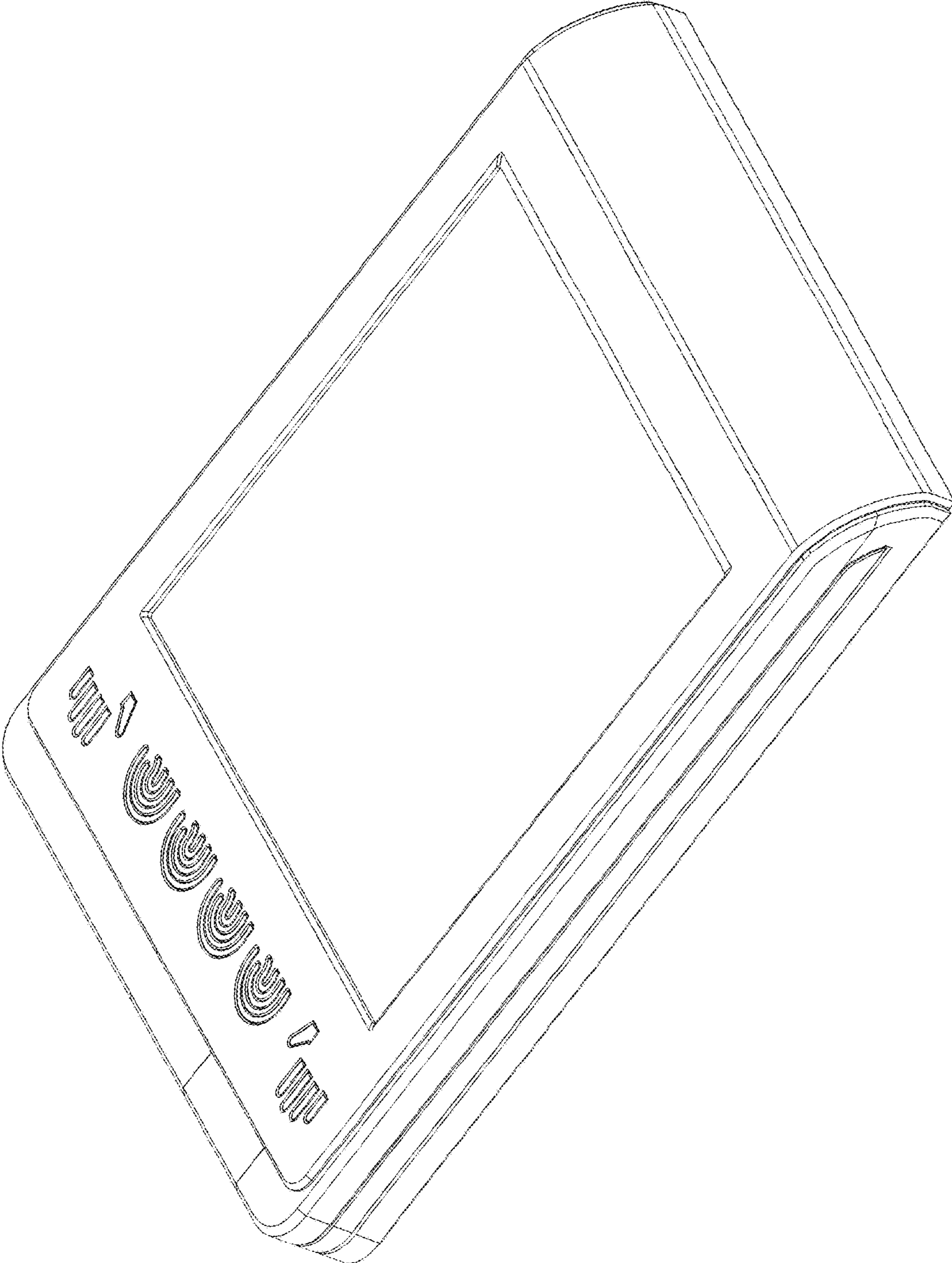


FIG. 1

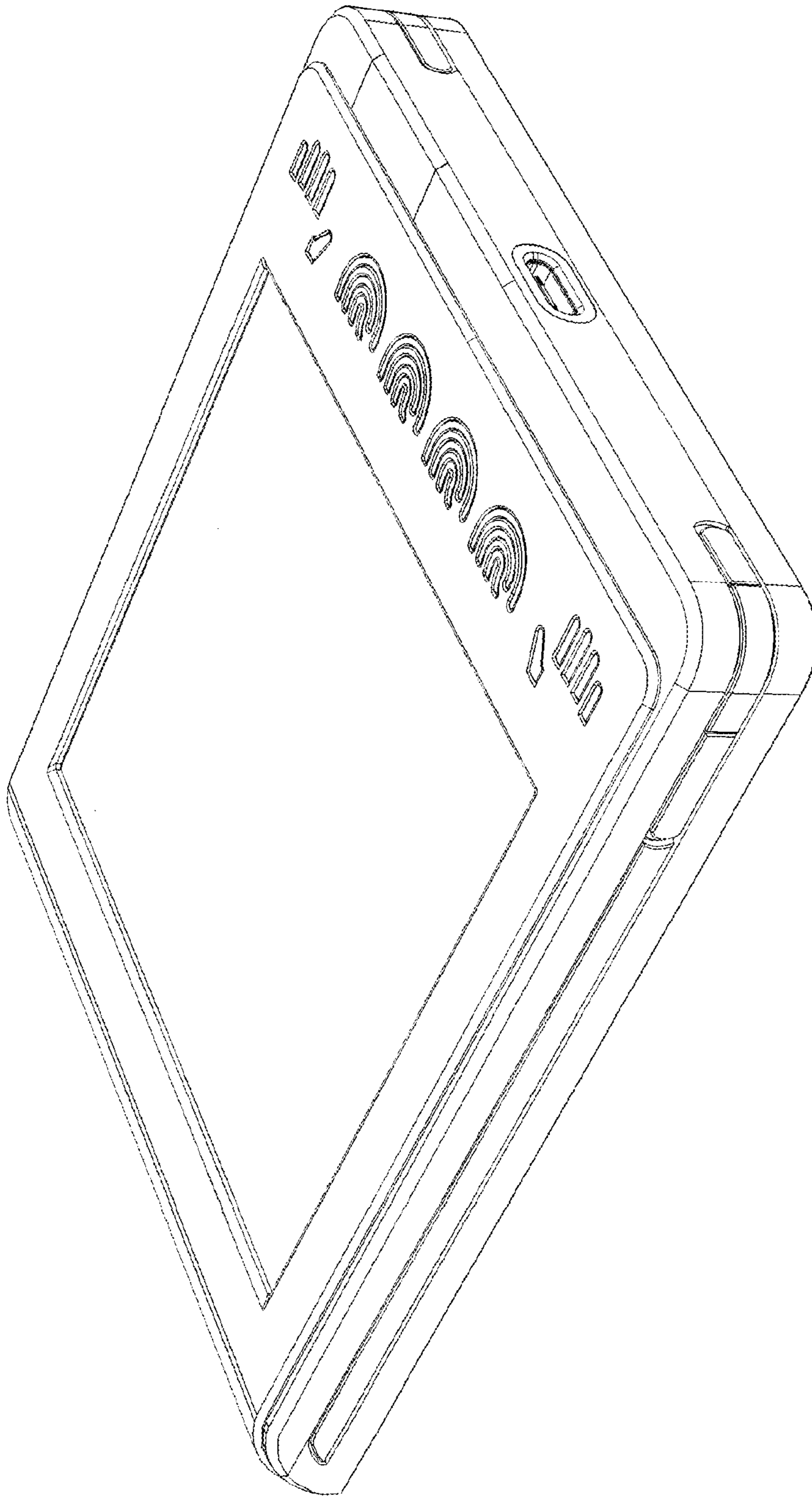


FIG. 2

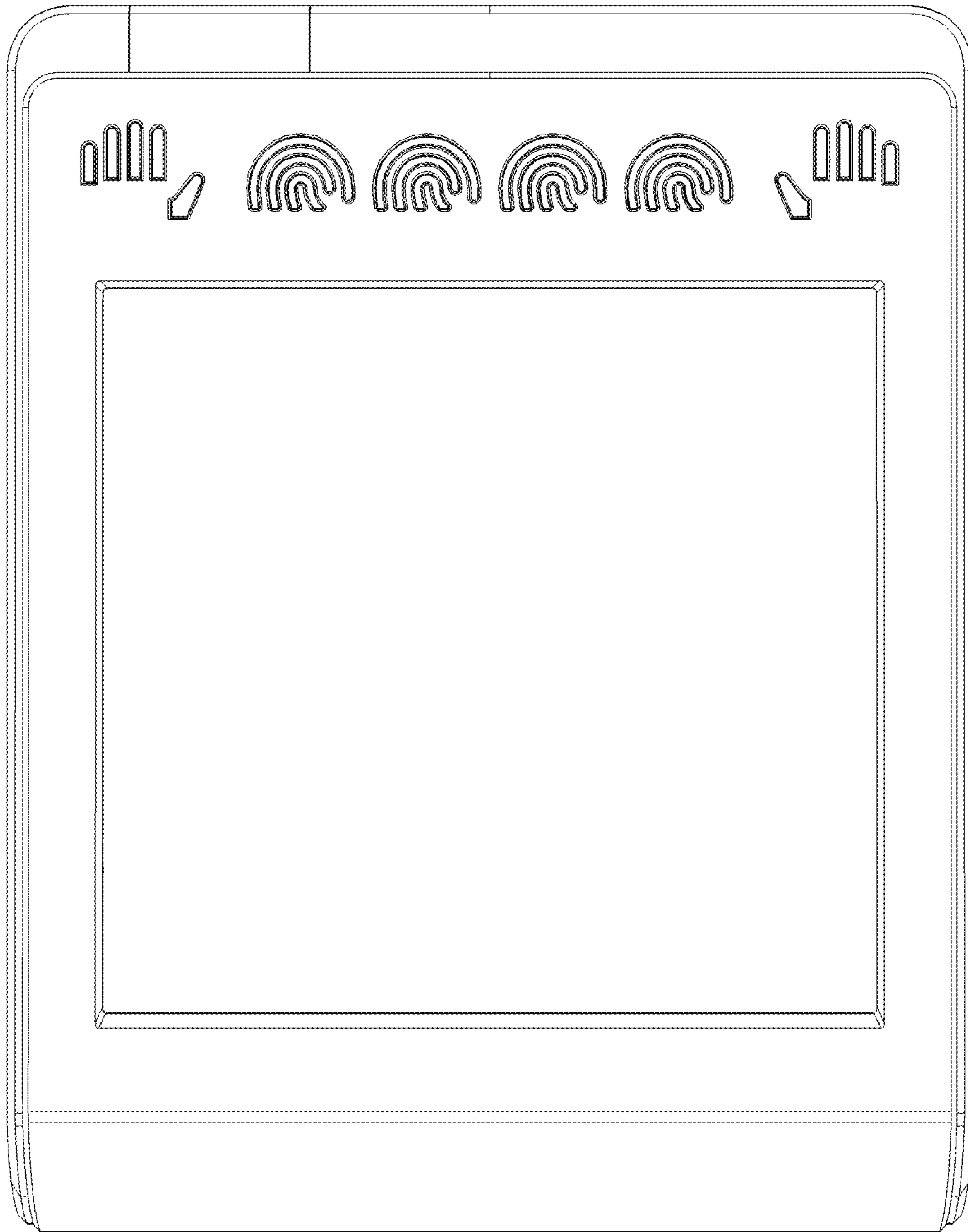


FIG. 3

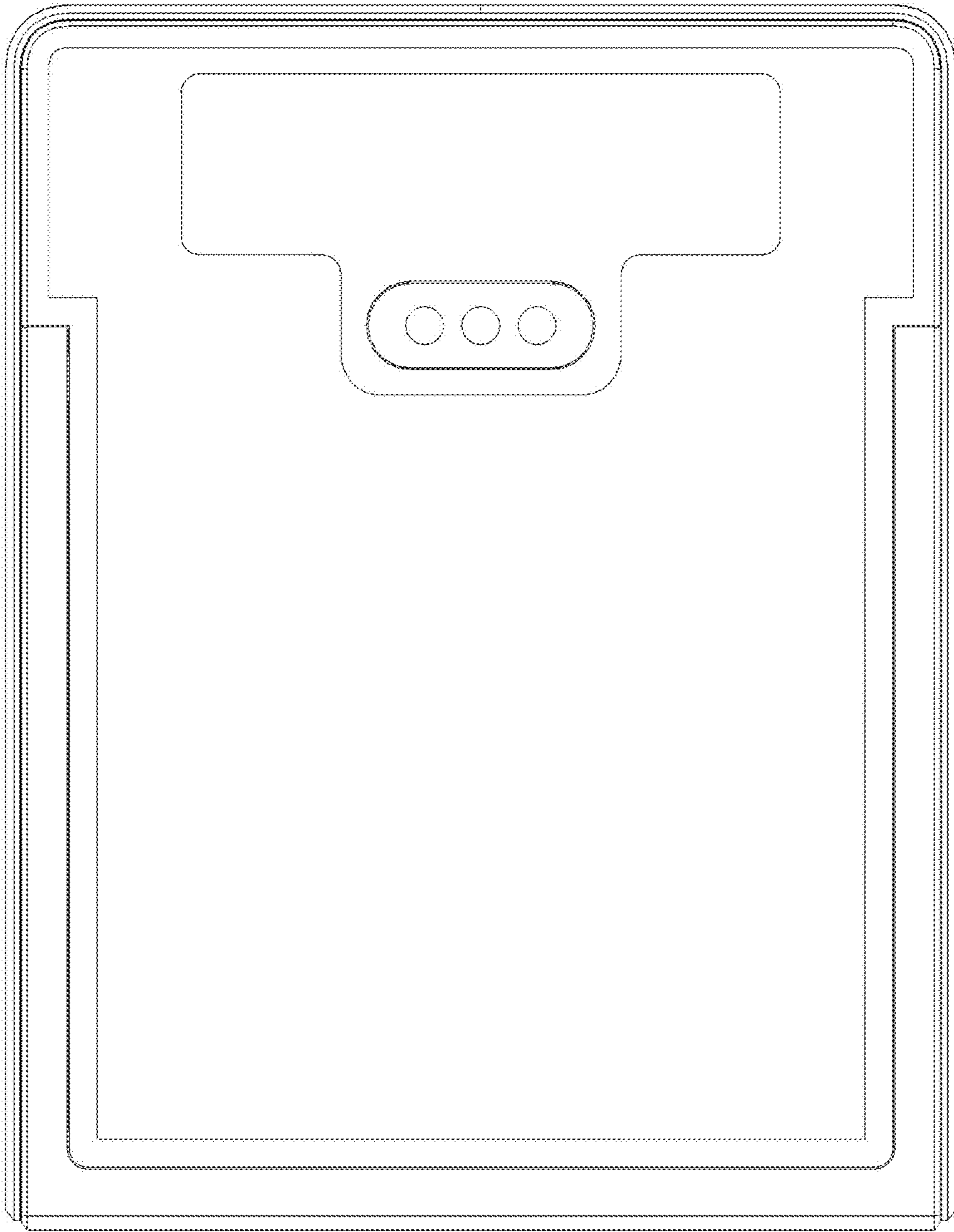


FIG. 4

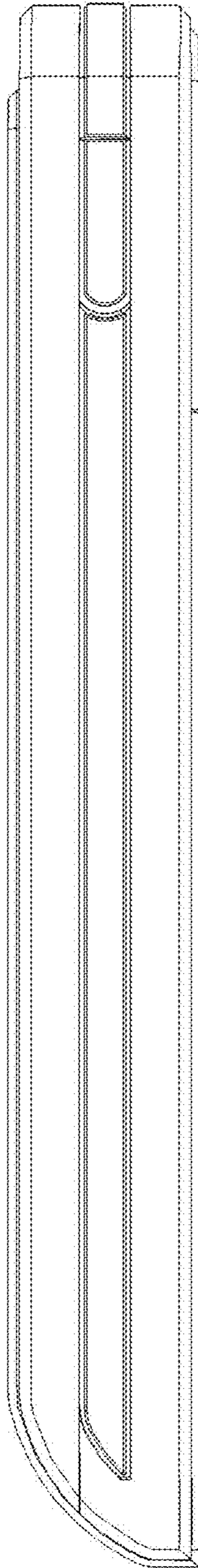


FIG. 5

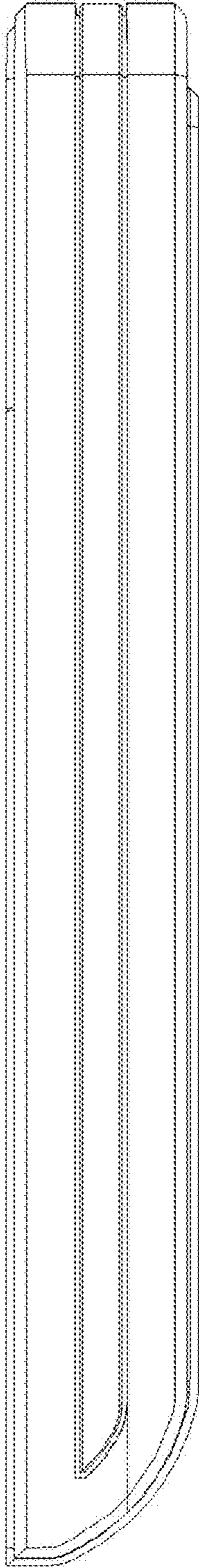


FIG. 6

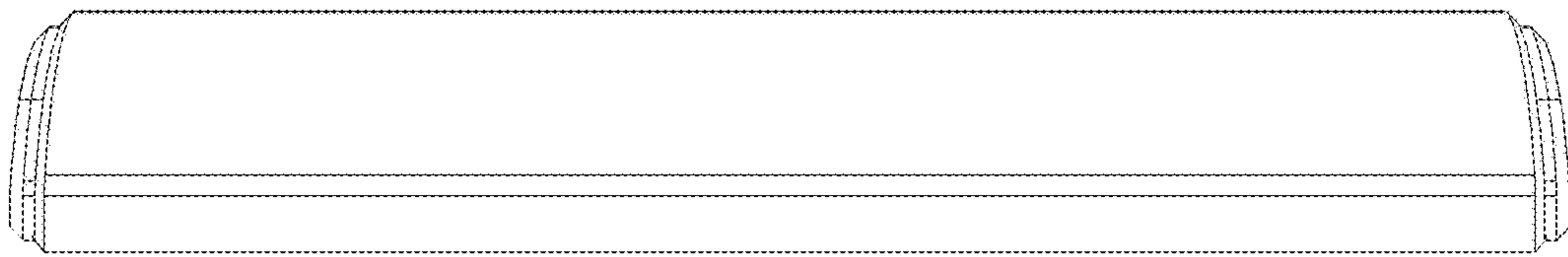


FIG. 7

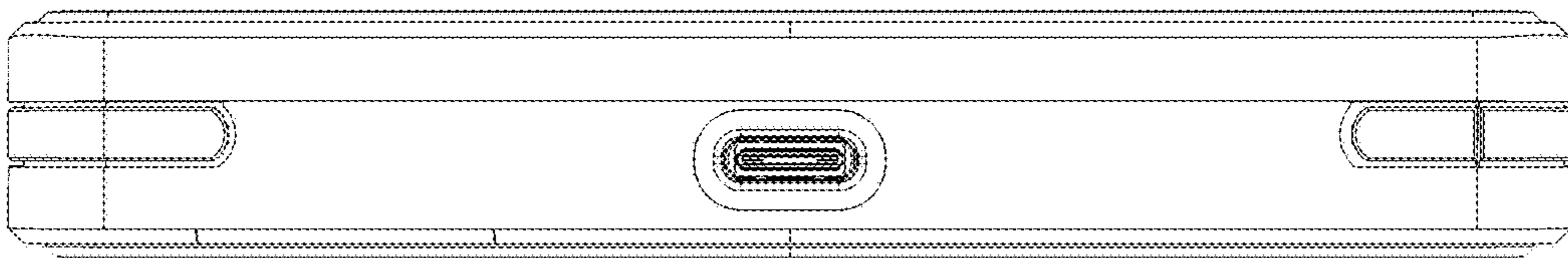


FIG. 8

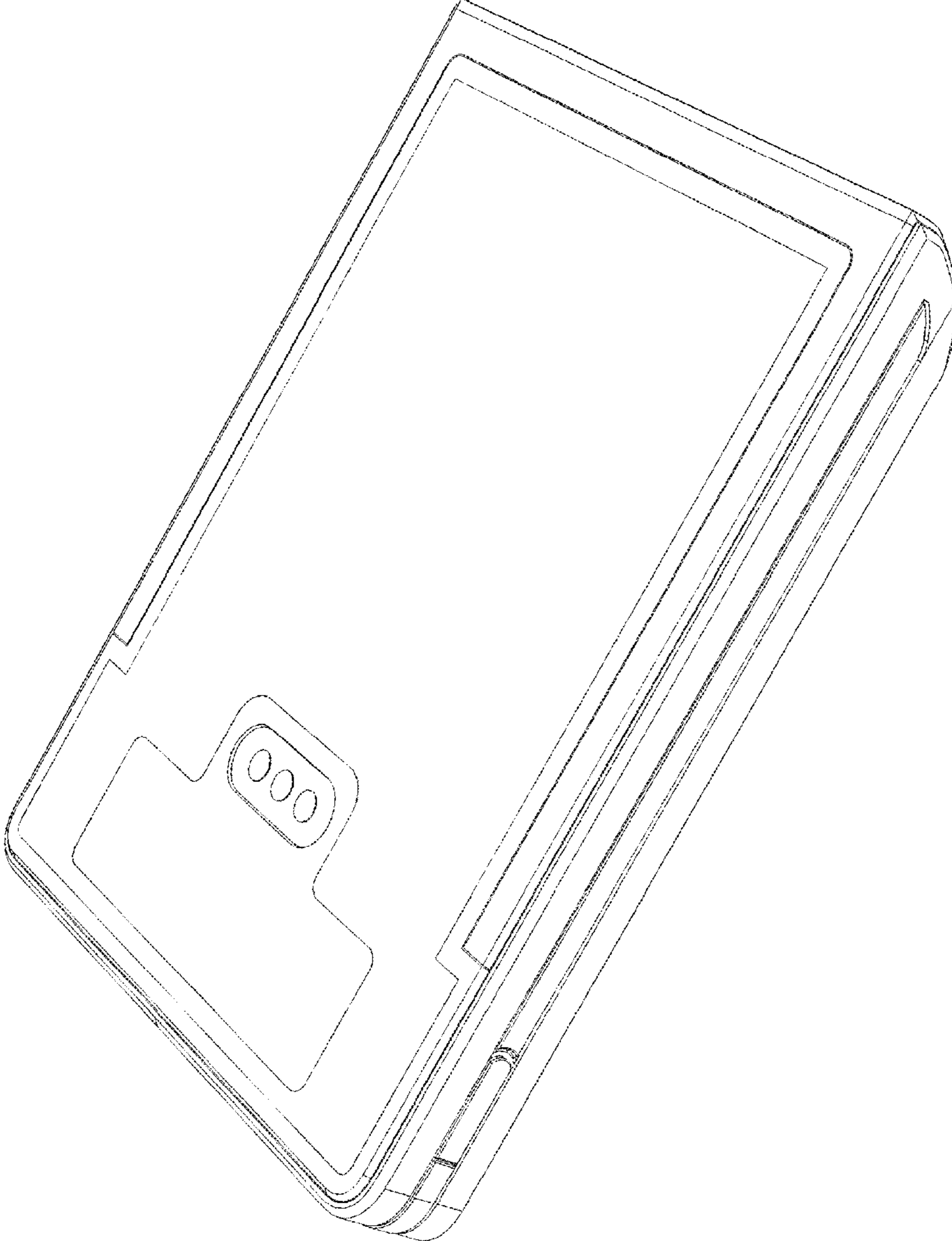


FIG. 9

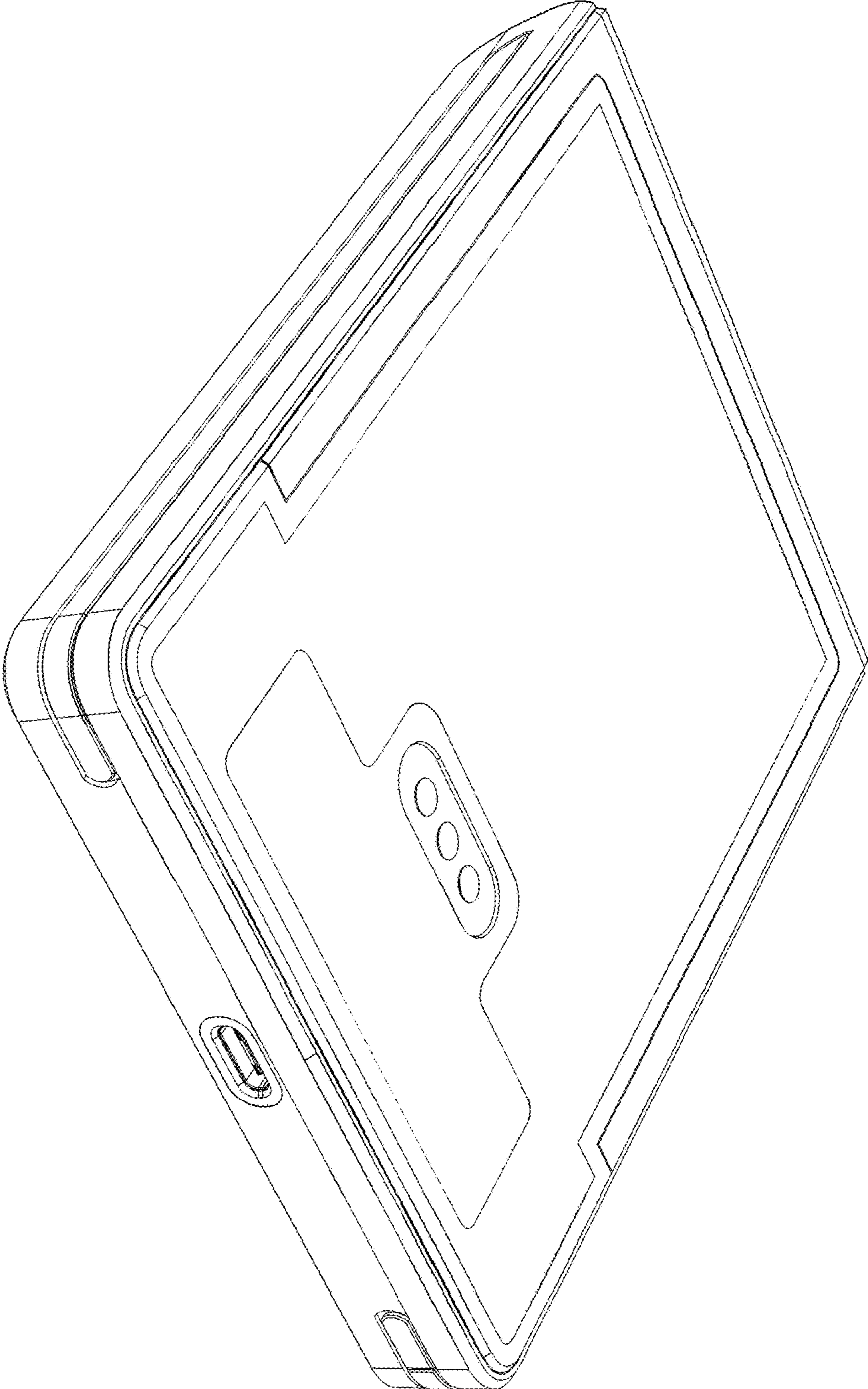


FIG. 10