

US00D864199S

(12) **United States Design Patent** (10) **Patent No.:** **US D864,199 S**
Shoda (45) **Date of Patent:** **** Oct. 22, 2019**

(54) **COMPUTER**

(71) Applicant: **Hewlett-Packard Development Company, L.P.**, Houston, TX (US)

(72) Inventor: **Thomas Shoda**, Palo Alto, CA (US)

(73) Assignee: **Hewlett-Packard Development Company, L.P.**, Spring, TX (US)

(**) Term: **15 Years**

(21) Appl. No.: **29/644,070**

(22) Filed: **Apr. 13, 2018**

(51) **LOC (12) Cl.** **14-02**

(52) **U.S. Cl.**
USPC **D14/349**

(58) **Field of Classification Search**
USPC D14/300–304, 308–314, 328, 348–370,
D14/432, 440–441, 443–446
CPC G06F 1/16; G06F 1/1628; G06F 1/181;
H05K 7/00; H05K 7/18; H05K 5/02;
H05K 5/0239; H05K 5/0243; H05K 5/03;
H05K 5/14; H05K 5/023; H05K 5/0234
See application file for complete search history.

(56) **References Cited**

U.S. PATENT DOCUMENTS

D449,045	S	*	10/2001	Daly	D14/349
6,549,397	B1	*	4/2003	Diaz	G06F 1/181 312/223.1
6,715,850	B1	*	4/2004	Diaz	G06F 1/181 312/223.2
D575,779	S	*	8/2008	Dearborn	D14/300
D585,447	S	*	1/2009	Chen	D14/349
D598,448	S	*	8/2009	Lauffer	D14/349
D647,523	S	*	10/2011	Su	D14/349
D677,253	S	*	3/2013	Crisp	D14/300
D707,225	S	*	6/2014	Shin	D14/349
D763,245	S	*	8/2016	Jasinski	D14/300
D794,628	S	*	8/2017	Van Dijke	D14/300

(Continued)

OTHER PUBLICATIONS

HP Z4 G4 Series Tower Workstation, posted at B&H, review posted Mar. 17, 2018. Site visited Jun. 19, 2019. URL: <https://www.bhphotovideo.com/c/product/1381109-REG/hp_3fq51ut_aba_z4_g4_xw_2123_4c.html> (Year: 2018).*

Primary Examiner — Kevin K Rudzinski

Assistant Examiner — Kathleen L Jones

(74) *Attorney, Agent, or Firm* — Morgan Lewis & Bockius

(57) **CLAIM**

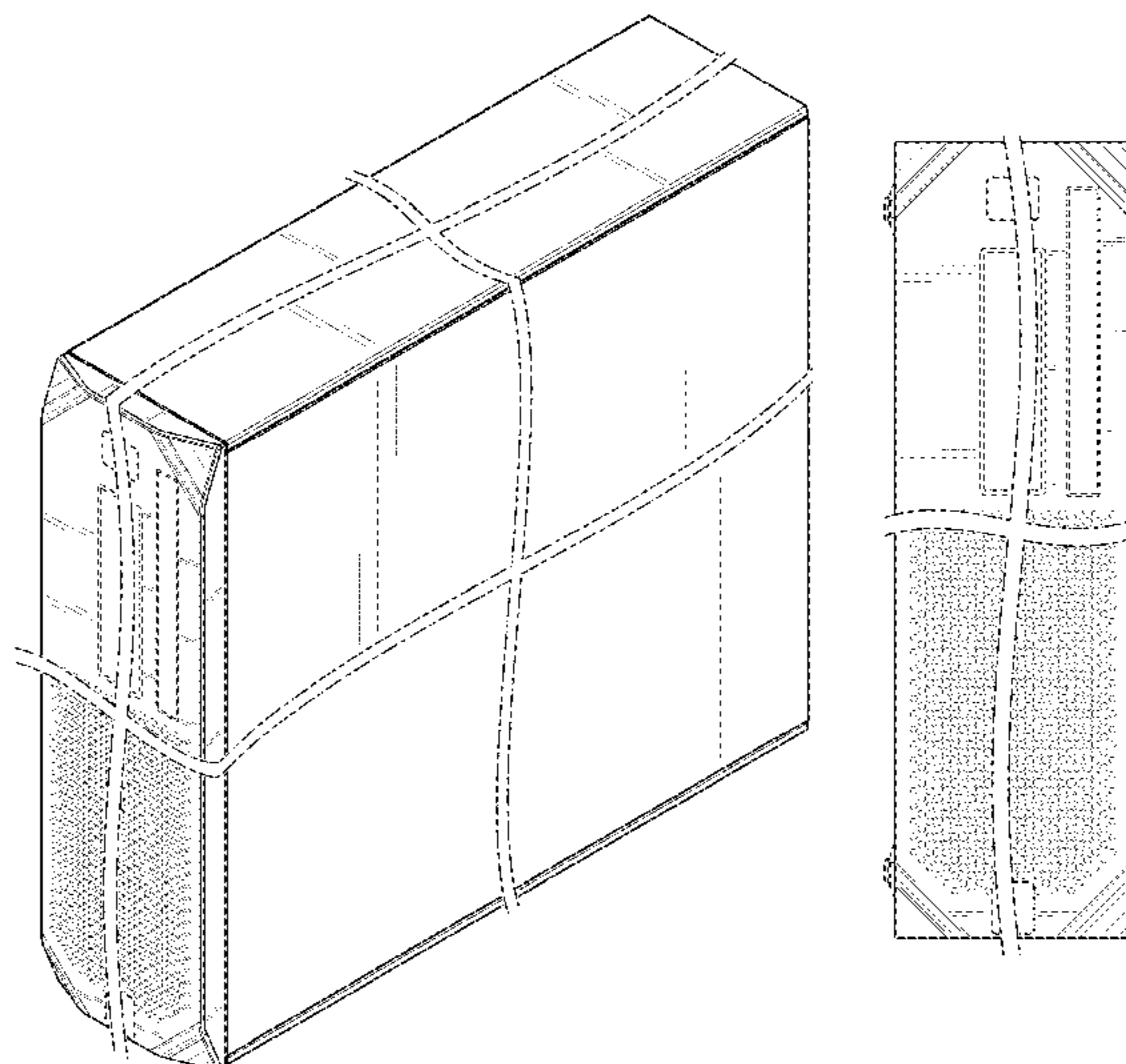
The ornamental design for a computer, as shown and described.

DESCRIPTION

FIG. 1 is a top, front, left-side perspective view of a computer in accordance with my new design;
FIG. 2 is a front elevational view of the computer shown in FIG. 1;
FIG. 3 is a rear elevational view of the computer shown in FIG. 1;
FIG. 4 is a right-side elevational view of the computer shown in FIG. 1;
FIG. 5 is a left-side elevational view of the computer shown in FIG. 1;
FIG. 6 is a top plan view of the computer shown in FIG. 1; and,
FIG. 7 is a bottom plan view of the computer shown in FIG. 1.

The dash-dash broken lines immediately adjacent the shaded areas represent the bounds of the claimed design while all other dash-dash broken lines are directed to environment and are for illustrative purposes only; the dash-dash broken lines form no part of the claimed design. The computer is shown with a dash dot dash broken line illustrating a symbolic break in length. The break lines and the appearance of any portion of the article between the break lines form no part of the claimed design

1 Claim, 7 Drawing Sheets



(56)

References Cited

U.S. PATENT DOCUMENTS

D801,965 S *	11/2017	Jasinski	D14/349
D822,020 S *	7/2018	Latto	D14/349
D838,717 S *	1/2019	Quijano	D14/349
D845,295 S *	4/2019	Quijano	D14/349
2014/0070683 A1 *	3/2014	Peterson	H05K 5/023 312/249.1

* cited by examiner

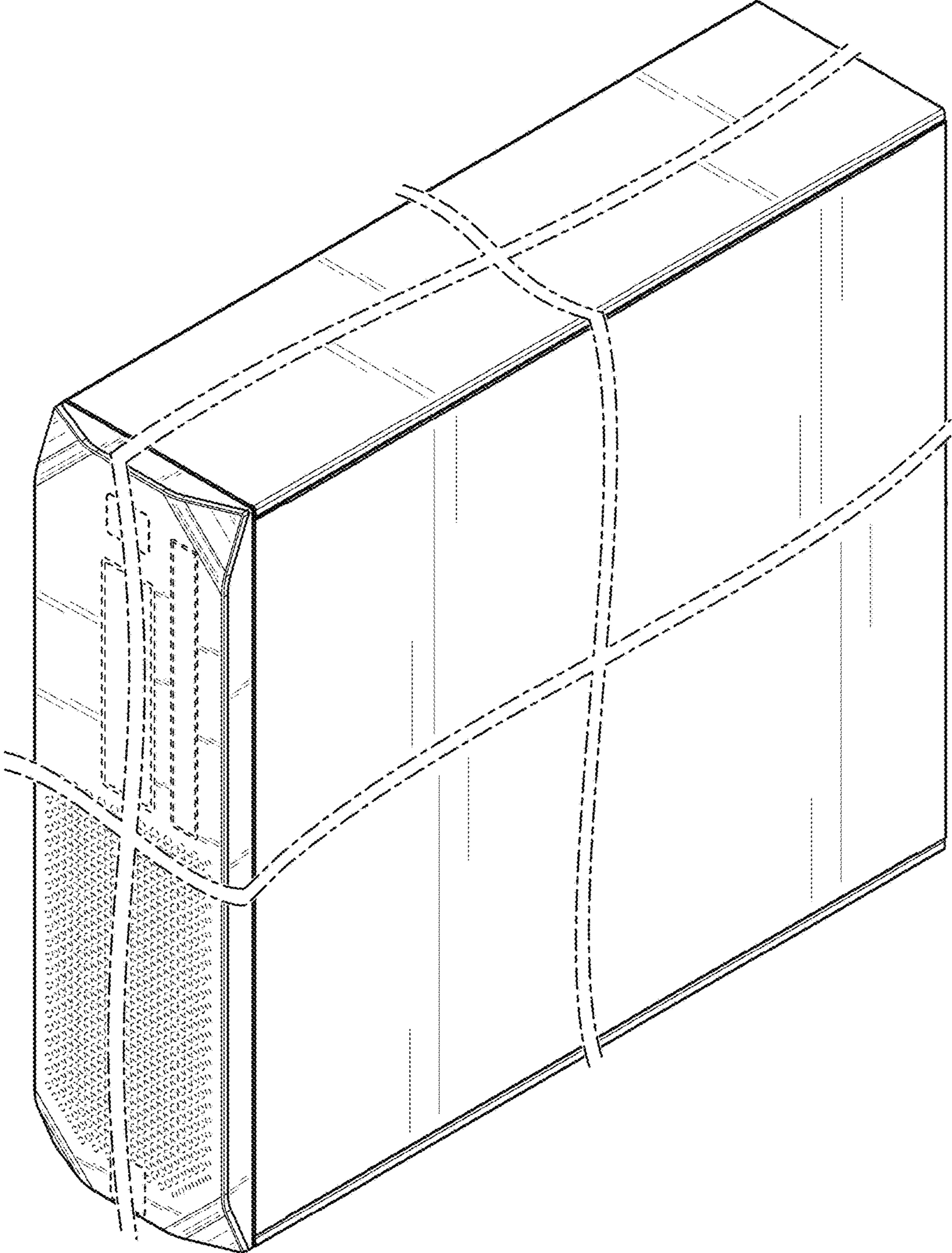


FIG. 1

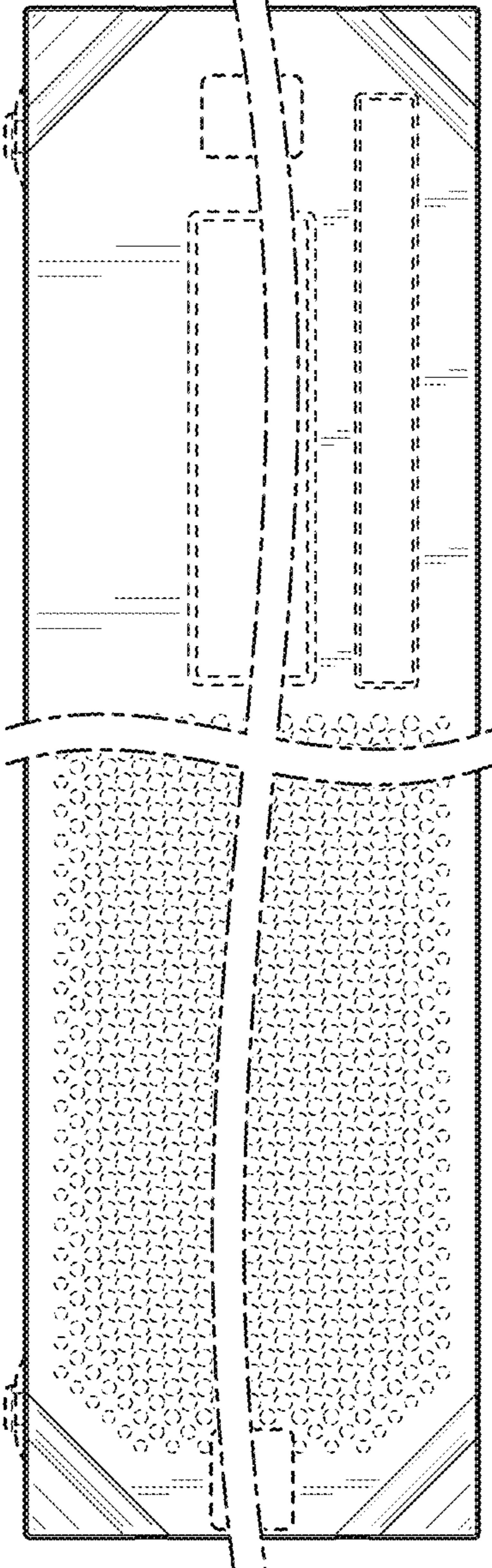


FIG. 2

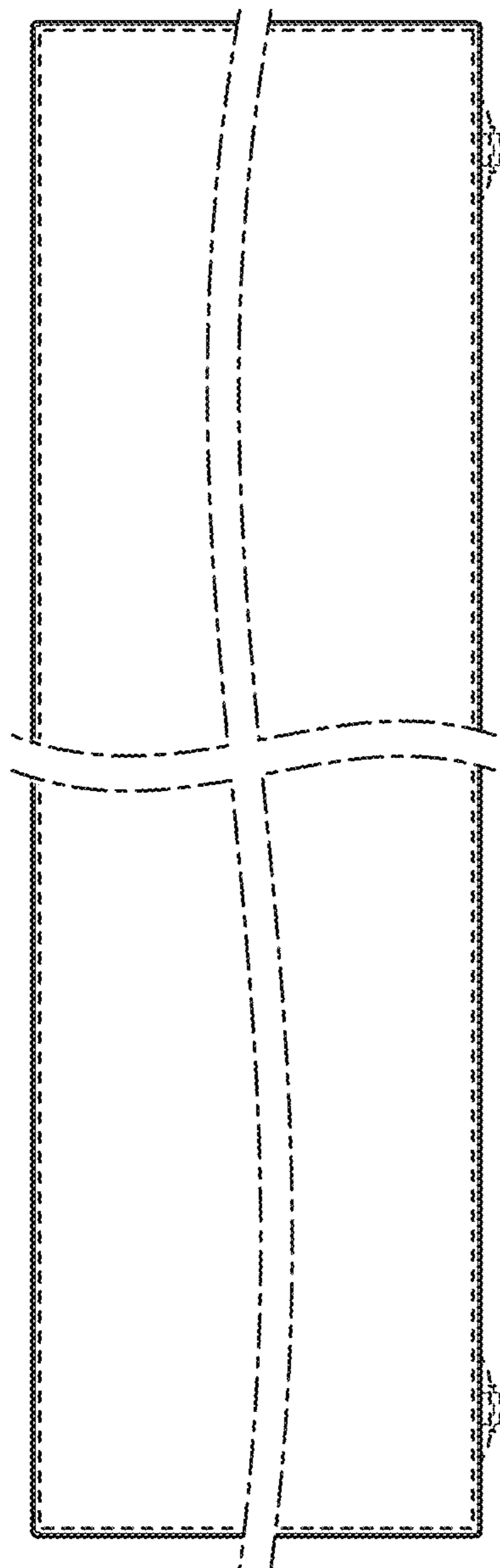


FIG. 3

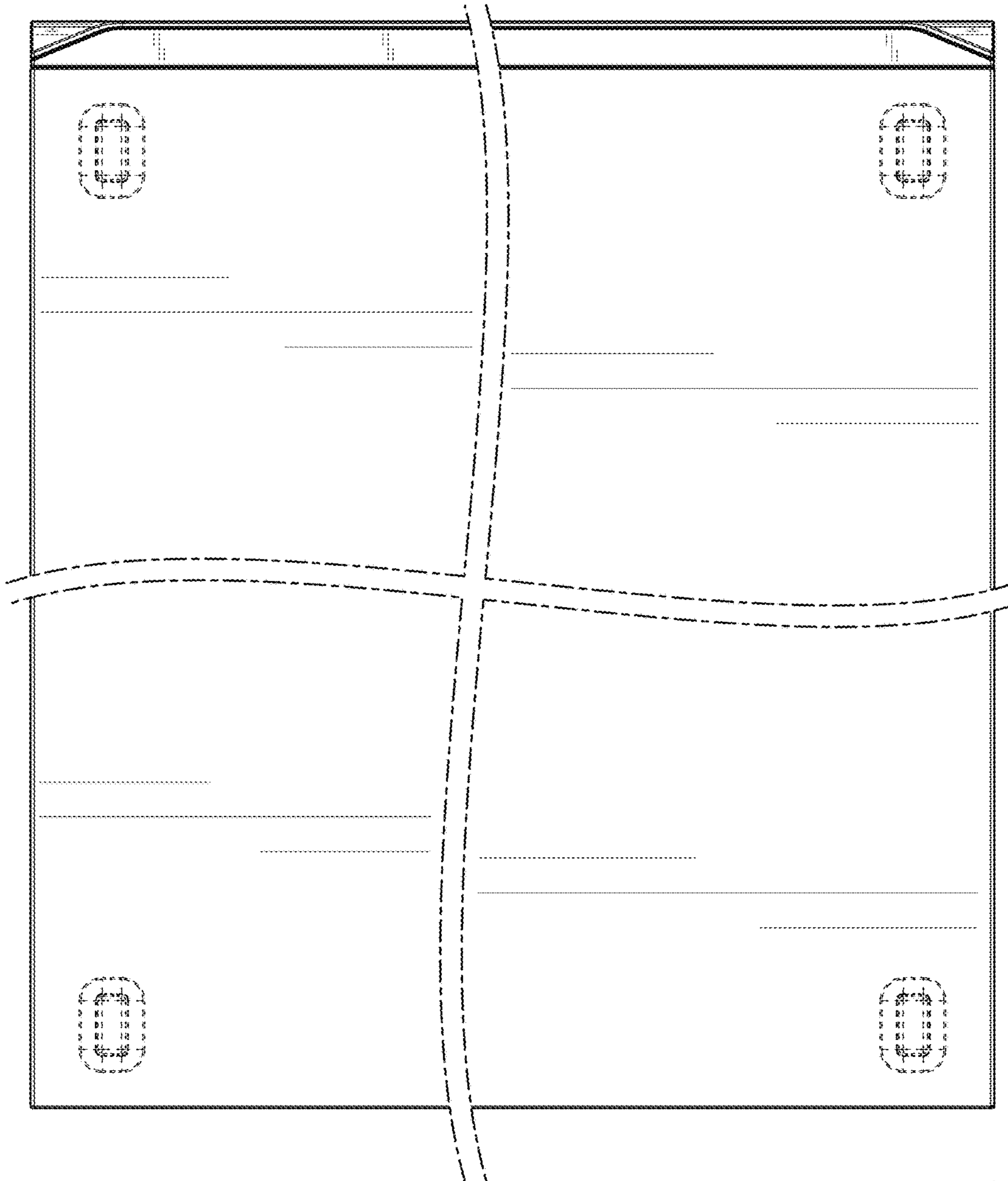


FIG. 4

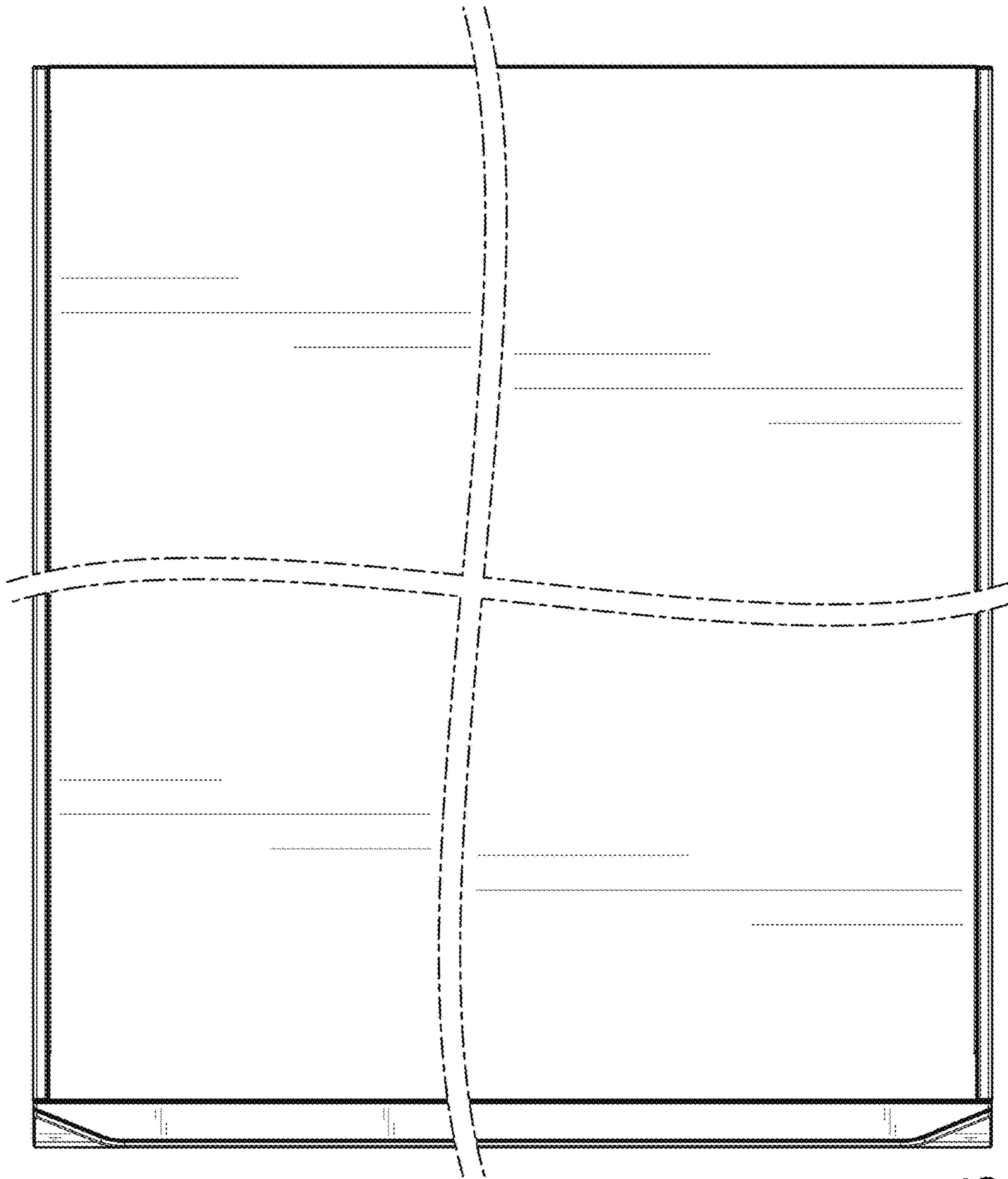


FIG. 5

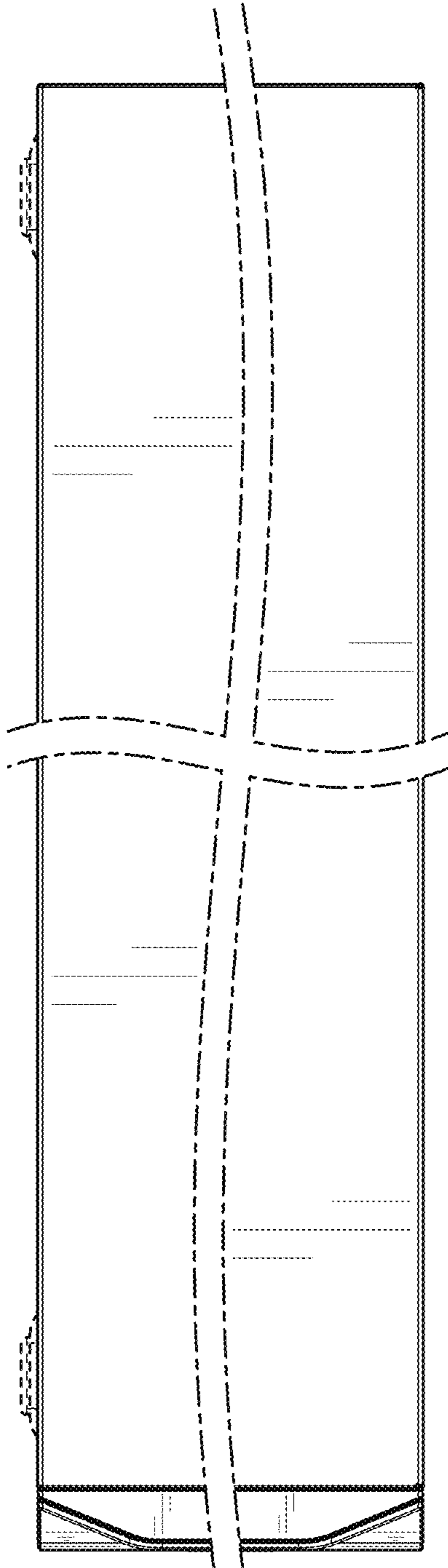


FIG. 6

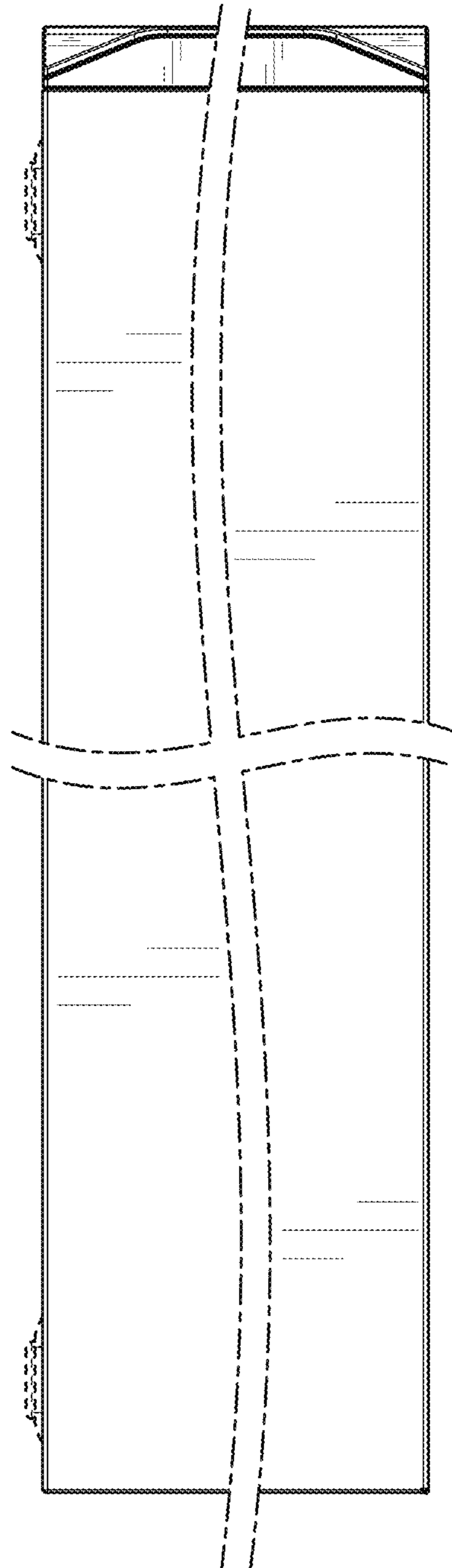


FIG. 7