



US00D864198S

(12) **United States Design Patent** (10) **Patent No.:** **US D864,198 S**  
**Bidwell et al.** (45) **Date of Patent:** **\*\* Oct. 22, 2019**

(54) **TABLET COMPUTER**

(56) **References Cited**

(71) Applicant: **Hand Held Products, Inc.**, Fort Mill, SC (US)  
(72) Inventors: **Dean Jeffrey Bidwell**, Renton, WA (US); **John Spencer Bandringa**, Everett, WA (US); **Andrew Walston**, Clinton, WA (US); **Michael Wells**, Lake Stevens, WA (US); **Matthew Willkens**, Seattle, WA (US)  
(73) Assignee: **Hand Held Products, Inc.**, Fort Mill, SC (US)

U.S. PATENT DOCUMENTS

D346,366 S 4/1994 Kim et al.  
D504,889 S 5/2005 Andre et al.  
D601,814 S 10/2009 Lissola  
D602,933 S 10/2009 Huang et al.  
D626,123 S 10/2010 Peng  
D670,279 S 11/2012 Veltz  
D672,345 S 12/2012 Li  
D680,533 S 4/2013 Song et al.  
D681,639 S 5/2013 Cruz et al.  
D682,245 S 5/2013 Harmon et al.

(Continued)

(\*\*) Term: **15 Years**

FOREIGN PATENT DOCUMENTS

(21) Appl. No.: **29/601,901**

WO WO2012018838 A1 2/2012

(22) Filed: **Apr. 27, 2017**

*Primary Examiner* — Barbara Fox  
*Assistant Examiner* — Dana K Weiland  
(74) *Attorney, Agent, or Firm* — Additon, Higgins & Pendleton, P.A.

**Related U.S. Application Data**

(63) Continuation of application No. 29/516,892, filed on Feb. 6, 2015, now Pat. No. Des. 785,617.

(51) **LOC (12) Cl.** ..... **14-02**

(57) **CLAIM**

The ornamental design for a tablet computer, as shown and described.

(52) **U.S. Cl.**  
USPC ..... **D14/341**

(58) **Field of Classification Search**

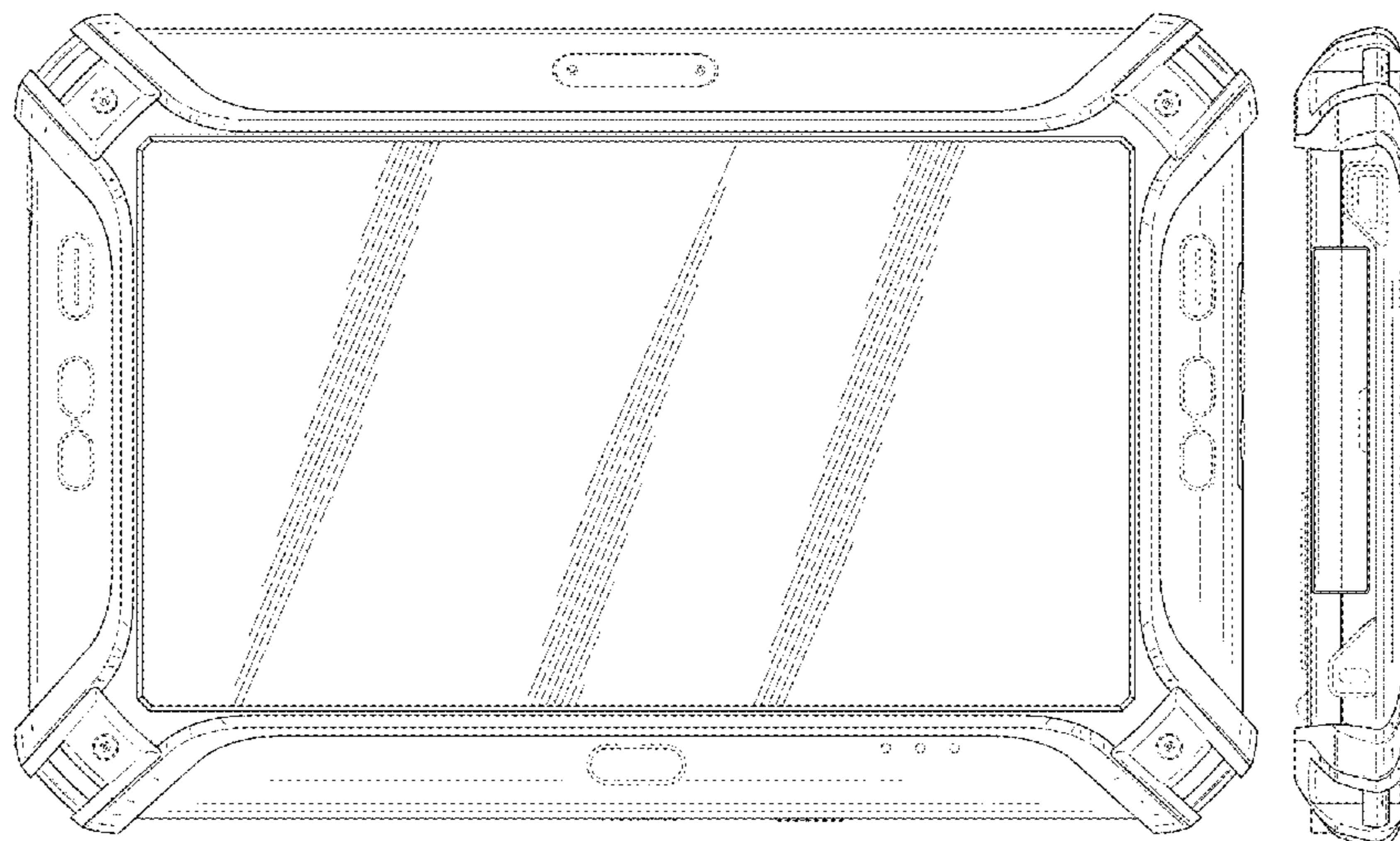
**DESCRIPTION**

USPC ..... D14/341-347, 137, 138 R, 138 AA, D14/138 AB, 138 C, 138 G, 203.1, 203.3, D14/203.4, 203.7, 129, 130, 147, 218, D14/247, 248, 332, 388, 389, 315-318, D14/420, 426, 429, 489, 492, 496; D10/50, 65, 104.1; D21/324, 329, 330, D21/332; D18/6, 7  
CPC .... G06F 1/1613; G06F 1/1647; G06F 1/1641; G06F 3/04883; G06F 3/0486; G06F 3/04847; G06F 3/04845; G06F 3/04817; G06F 3/0484; H04M 1/0279; H04M 1/0281; H04M 1/0283; A63H 33/3016

FIG. 1 is a front perspective view of a tablet computer showing the new design;  
FIG. 2 is a front elevation view of the tablet computer;  
FIG. 3 is a back elevation view of the tablet computer;  
FIG. 4 is a bottom plan view of the tablet computer;  
FIG. 5 is a top plan view of the tablet computer;  
FIG. 6 is a right elevation view of the tablet computer; and,  
FIG. 7 is a left elevation view of the tablet computer.  
The broken lines shown in the drawings depict portions of the tablet computer that form no part of the claimed design.

See application file for complete search history.

**1 Claim, 5 Drawing Sheets**



(56)

References Cited

U.S. PATENT DOCUMENTS

D683,338 S 5/2013 Wilson et al.  
 D684,970 S 6/2013 Zhang et al.  
 D687,432 S 8/2013 Duan et al.  
 D689,048 S 9/2013 Wang et al.  
 D691,131 S 10/2013 Brown et al.  
 D698,343 S 1/2014 Chang et al.  
 D701,211 S 3/2014 Ng  
 D715,293 S 10/2014 Li  
 D716,280 S 10/2014 Macrina et al.  
 D722,991 S 2/2015 Plaschke  
 D723,028 S 2/2015 Leonard et al.  
 D723,499 S 3/2015 Nishikawa  
 D724,046 S 3/2015 Sawada et al.  
 D729,644 S 5/2015 Browning et al.  
 D733,154 S 6/2015 Armstrong et al.  
 D752,006 S 3/2016 Plaschke  
 D756,994 S 5/2016 Shindo et al.  
 D760,164 S \* 6/2016 Aida ..... D13/110  
 D767,564 S \* 9/2016 Li ..... D14/341  
 D768,515 S \* 10/2016 Weiss ..... D10/49

D775,098 S \* 12/2016 Nishikawa ..... D14/138 G  
 D775,100 S \* 12/2016 Teruyama ..... D14/138 G  
 D781,284 S \* 3/2017 Suzuki ..... D14/341  
 D783,604 S \* 4/2017 Wesolek ..... D14/341  
 D785,617 S 5/2017 Bidwell et al.  
 D788,058 S \* 5/2017 Astheimer ..... D14/138 G  
 D792,846 S \* 7/2017 Zheng ..... D13/110  
 D801,976 S \* 11/2017 Li ..... D14/440  
 D807,369 S \* 1/2018 Chen ..... D14/440  
 D807,370 S \* 1/2018 Chen ..... D14/440  
 D807,850 S \* 1/2018 Whang ..... D14/138 G  
 D808,918 S \* 1/2018 Wei ..... D14/138 G  
 D817,951 S \* 5/2018 Chang ..... D14/341  
 D818,466 S \* 5/2018 Chang ..... D14/341  
 D822,016 S \* 7/2018 Zhong ..... D14/341  
 D823,304 S \* 7/2018 Drew ..... D14/357  
 D823,852 S \* 7/2018 Shen ..... D14/341  
 D824,913 S \* 8/2018 Bidwell ..... D14/447  
 D825,517 S \* 8/2018 Wei ..... D14/138 G  
 D825,553 S \* 8/2018 Nagai ..... D14/315  
 D825,554 S \* 8/2018 Nagai ..... D14/315  
 D826,931 S \* 8/2018 Chang ..... D14/341  
 2016/0179143 A1 6/2016 Bidwell et al.

\* cited by examiner

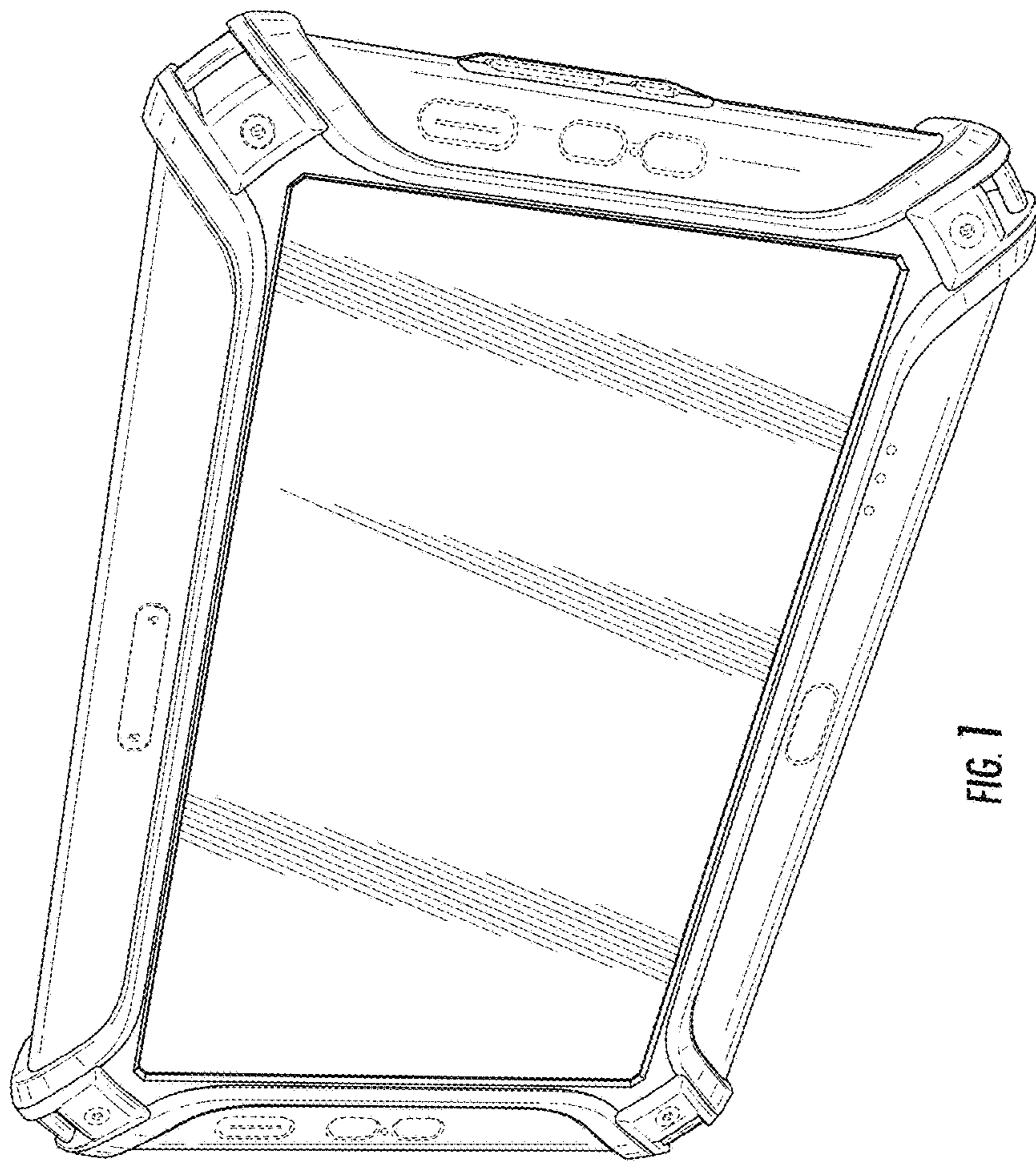
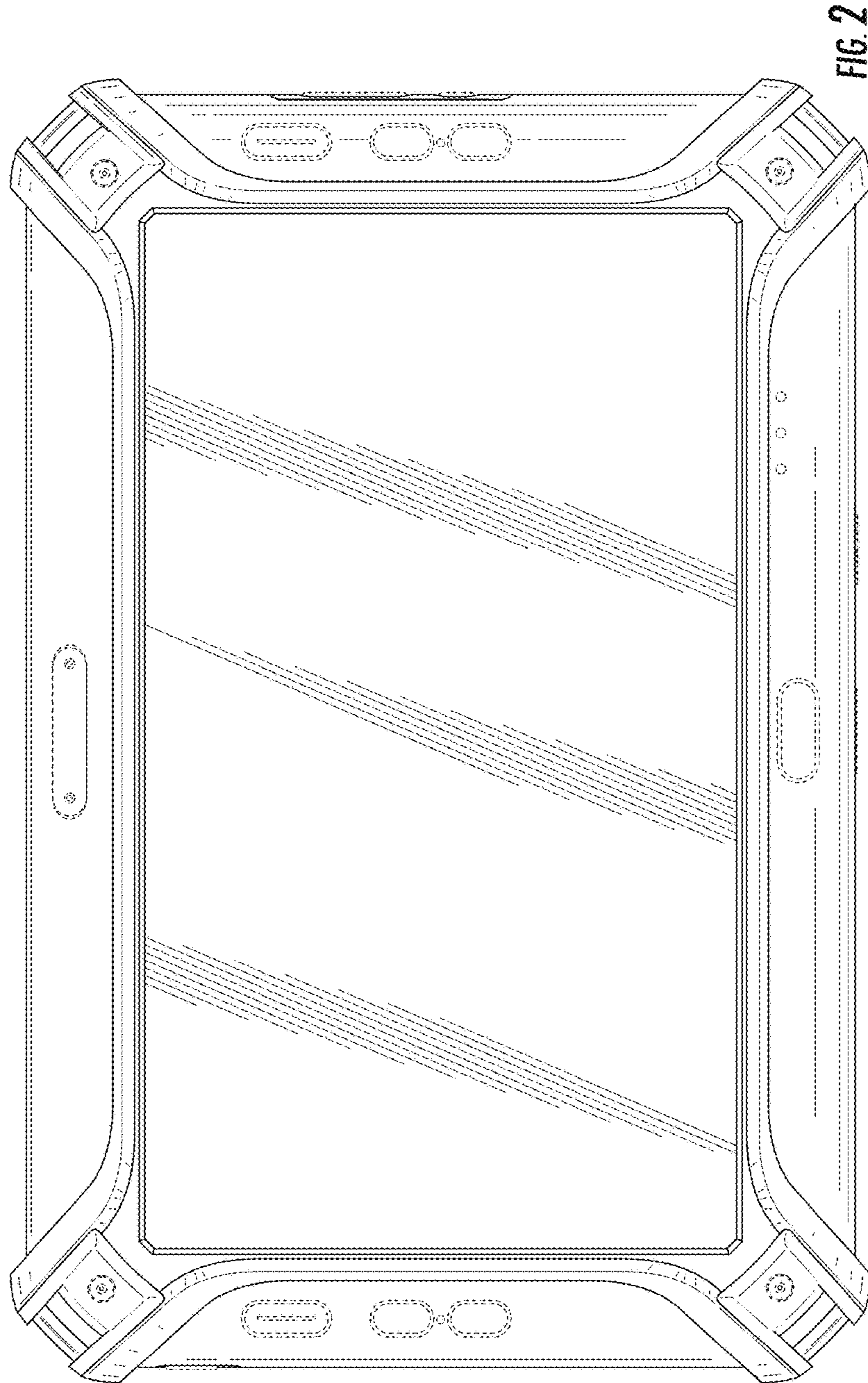
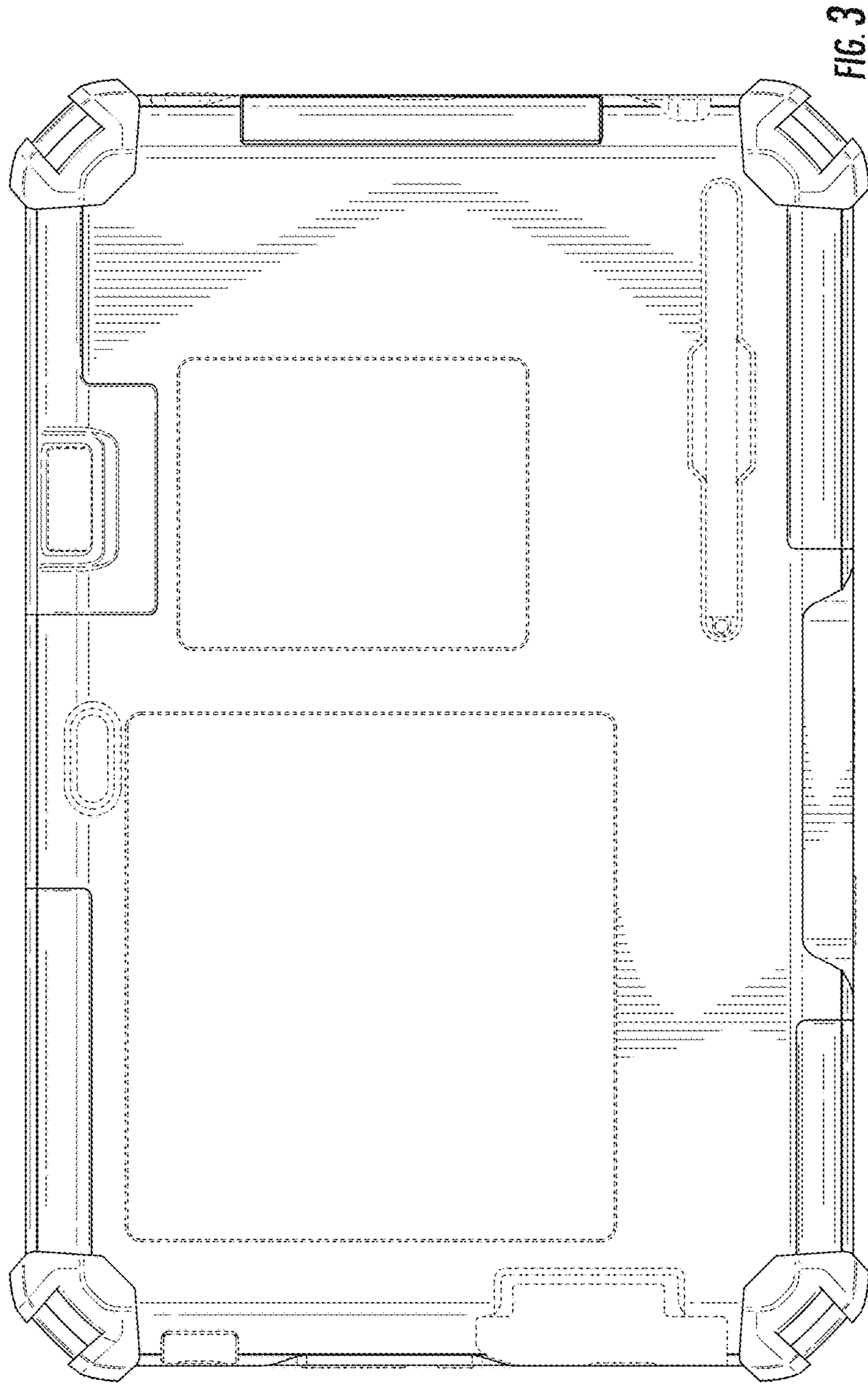


FIG. 1







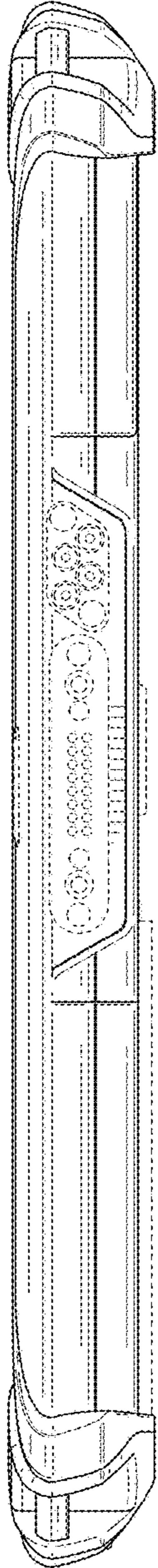


FIG. 4

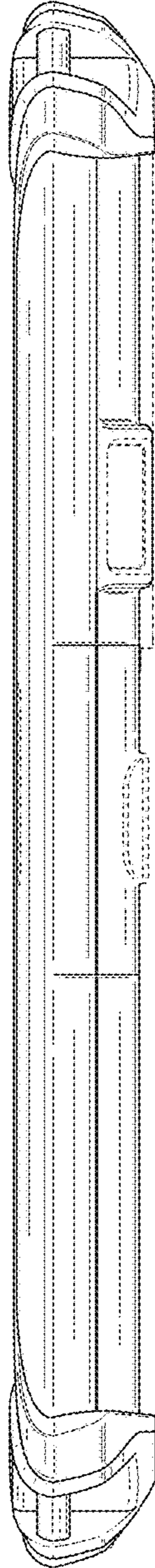


FIG. 5

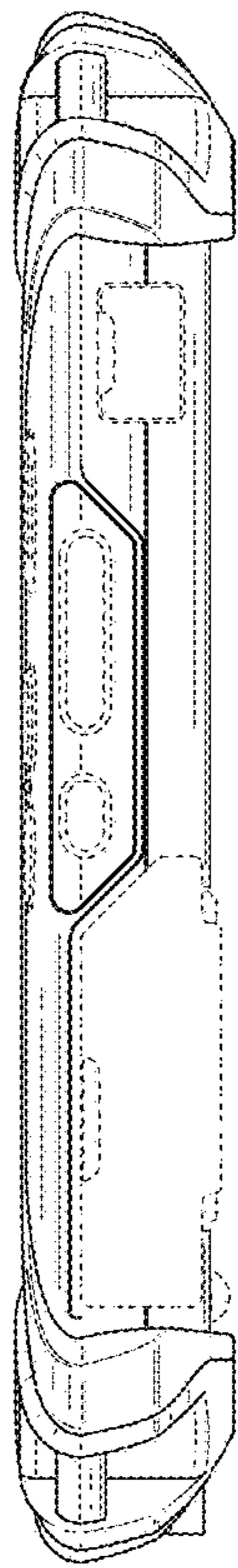


FIG. 6

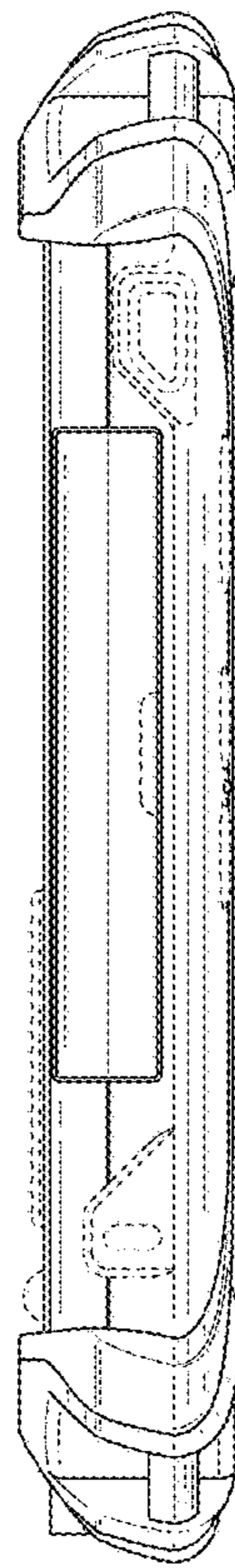


FIG. 7